



US00D474491S

(12) **United States Design Patent**
Kim

(10) **Patent No.:** **US D474,491 S**

(45) **Date of Patent:** **** May 13, 2003**

(54) **CONTROL BOX FOR PROJECTOR**

(75) Inventor: **Paek Nam Kim**, Seoul (KR)

(73) Assignee: **LG Electronics Inc.**, Seoul (KR)

(**) Term: **14 Years**

(21) Appl. No.: **29/164,225**

(22) Filed: **Jul. 22, 2002**

(30) **Foreign Application Priority Data**

Jan. 22, 2002 (KR) 2002-2100

(51) **LOC (7) Cl.** **16-02**

(52) **U.S. Cl.** **D16/235**; D13/164

(58) **Field of Search** D13/160, 162,
D13/164, 184; D16/221, 225, 230, 235;
353/119, 122

(56) **References Cited**

U.S. PATENT DOCUMENTS

D213,372 S * 2/1969 Gross D13/162

D257,723 S * 12/1980 Stockdale D13/162

D301,844 S * 6/1989 Schwarz et al. D13/164

D360,191 S * 7/1995 Carl et al. D13/160

D381,317 S * 7/1997 Yu D13/164

* cited by examiner

Primary Examiner—Adir Aronovich

(74) *Attorney, Agent, or Firm*—Birch, Stewart, Kolasch & Birch, LLP

(57) **CLAIM**

The ornamental design for control box for projector, as shown and described.

DESCRIPTION

FIG. 1 is perspective view of the control box for projector; FIG. 2 is a front view thereof; FIG. 3 is a rear view thereof; FIG. 4 is a left side view thereof where the right side view is a mirror image; FIG. 5 is a top plan view thereof; and, FIG. 6 is a bottom plan view thereof.

1 Claim, 4 Drawing Sheets

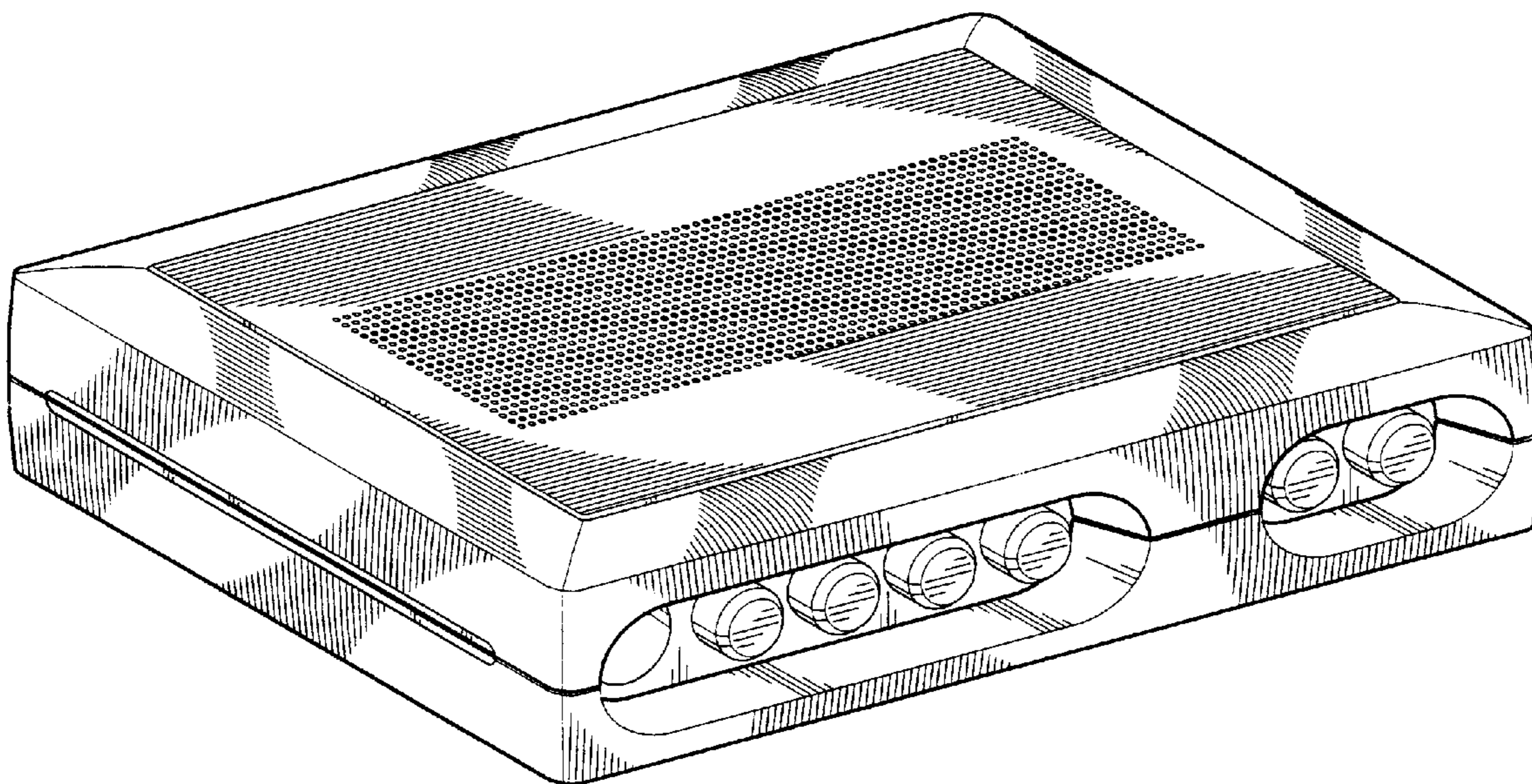


FIG. 1

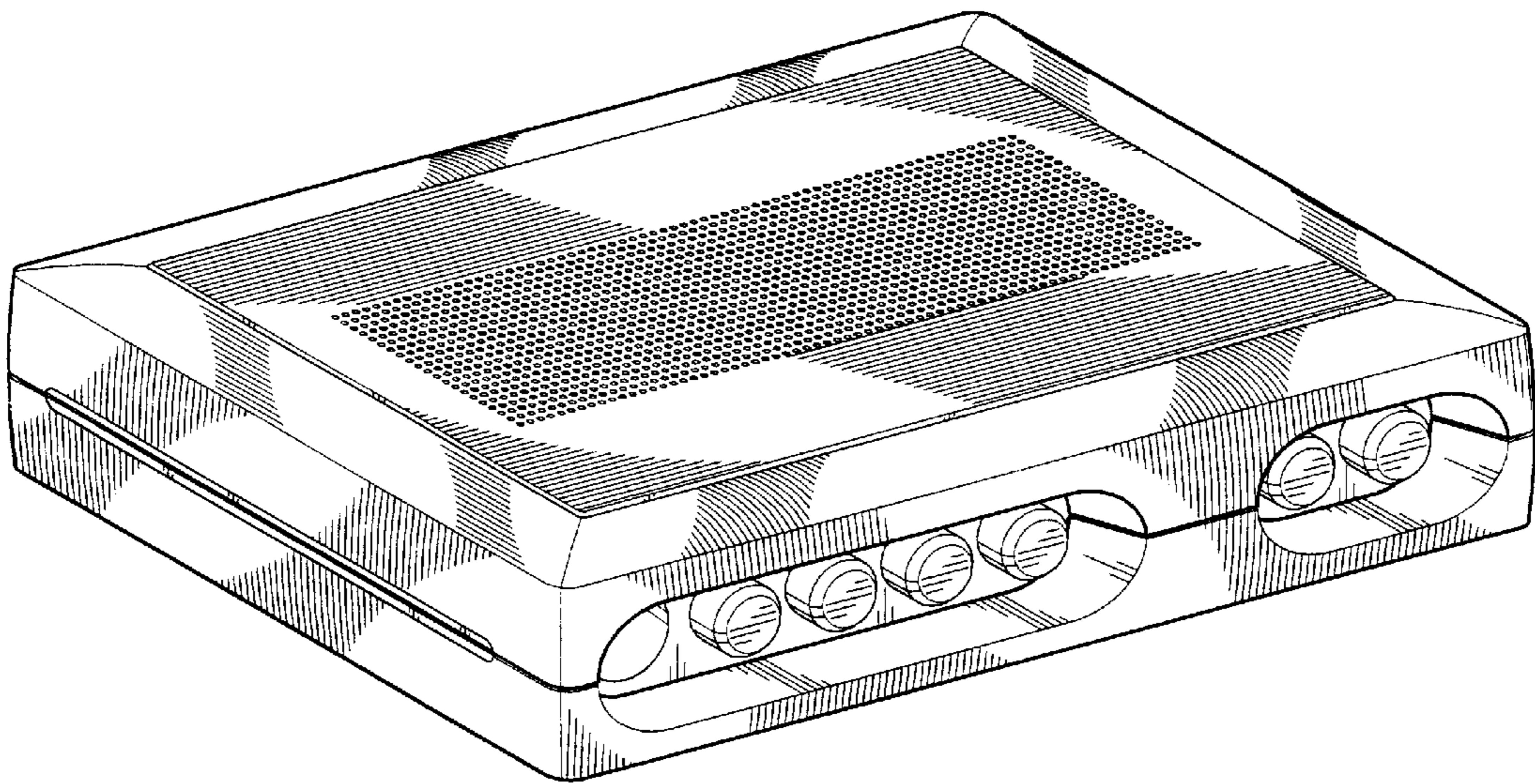


FIG. 2

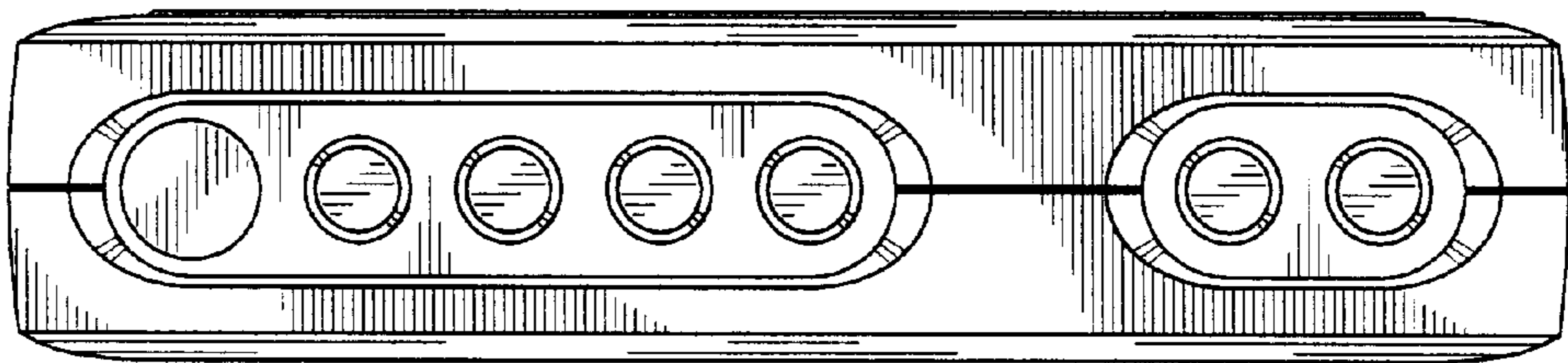


FIG. 3

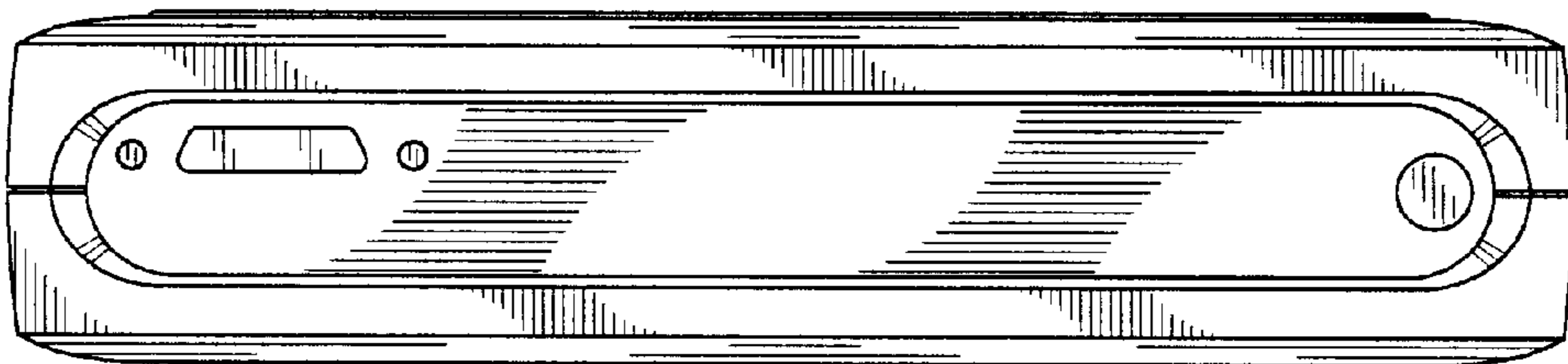


FIG. 4

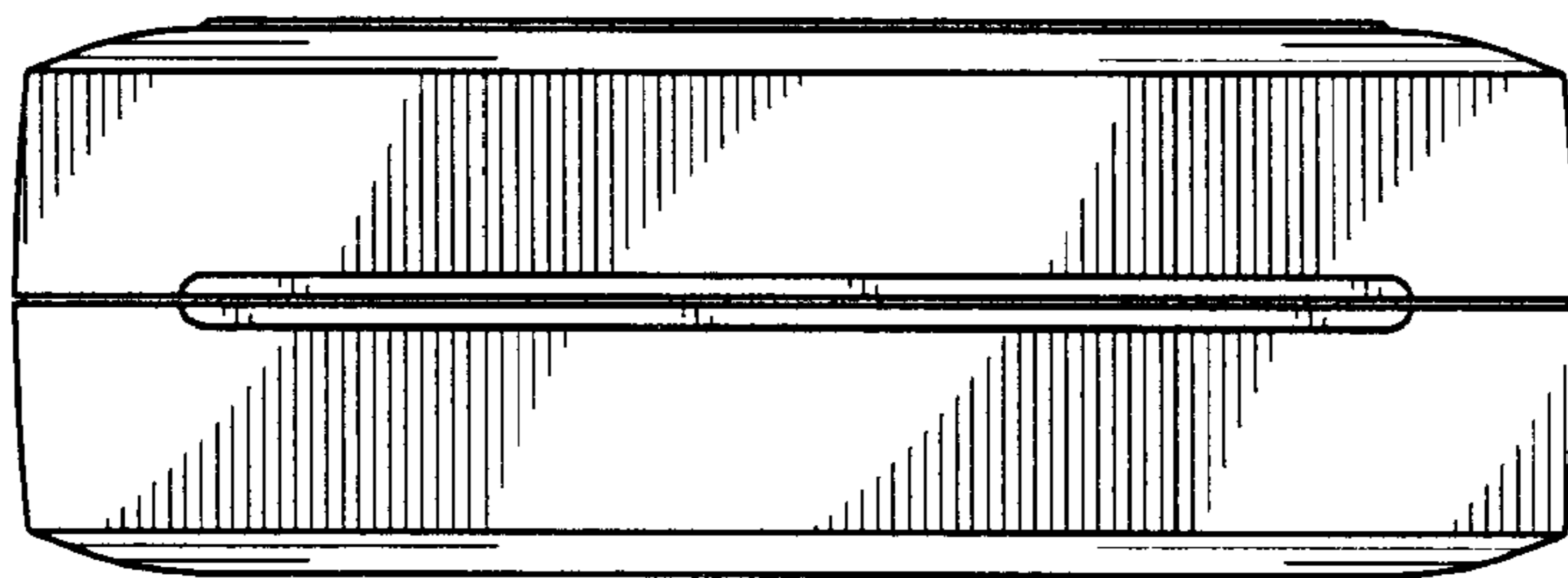


FIG. 5

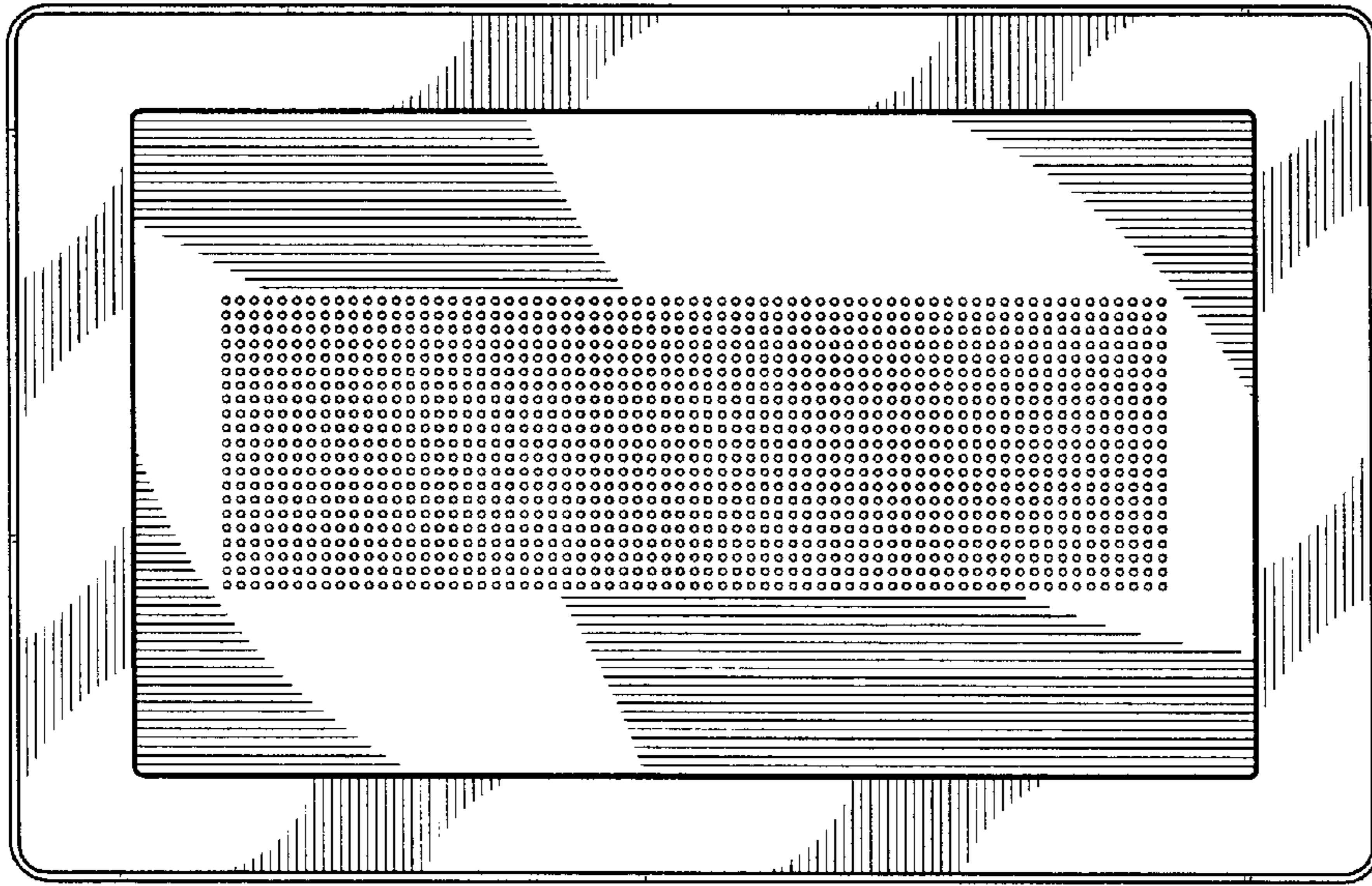


FIG. 6

