



US00D474490S

(12) **United States Design Patent**  
**Ogasawara**

(10) **Patent No.:** **US D474,490 S**

(45) **Date of Patent:** **\*\* May 13, 2003**

(54) **COMBINED COMPUTER AND VIDEO CAMERA**

(75) Inventor: **Shinichi Ogasawara, Tokyo (JP)**

(73) Assignee: **Sony Corporation, Tokyo (JP)**

(\*\*) Term: **14 Years**

(21) Appl. No.: **29/147,745**

(22) Filed: **Sep. 6, 2001**

(51) **LOC (7) Cl.** ..... **16-01**

(52) **U.S. Cl.** ..... **D16/208; D14/317; D16/202**

(58) **Field of Search** ..... **D14/315, 317; D16/202, 203, 208, 218; 348/207.1, 207.2, 373; 396/429**

(56) **References Cited**

**U.S. PATENT DOCUMENTS**

D314,203 S	*	1/1991	Shinano	.....	D16/202
D383,475 S		9/1997	Yamauchi et al.	.....	D16/202
D391,280 S	*	2/1998	Miki et al.	.....	D16/202
5,880,783 A	*	3/1999	Ma	.....	348/373
D408,794 S		4/1999	Ogasawara	.....	D14/341
D409,583 S	*	5/1999	Nishida et al.	.....	D14/317
D421,619 S	*	3/2000	Eto et al.	.....	D16/208
6,141,052 A	*	10/2000	Fukumitsu et al.	.....	348/373
D462,956 S	*	9/2002	Ogasawara	.....	D14/317

\* cited by examiner

*Primary Examiner*—Adir Aronovich

(74) *Attorney, Agent, or Firm*—Rader, Fishman & Grauer PLLC

(57) **CLAIM**

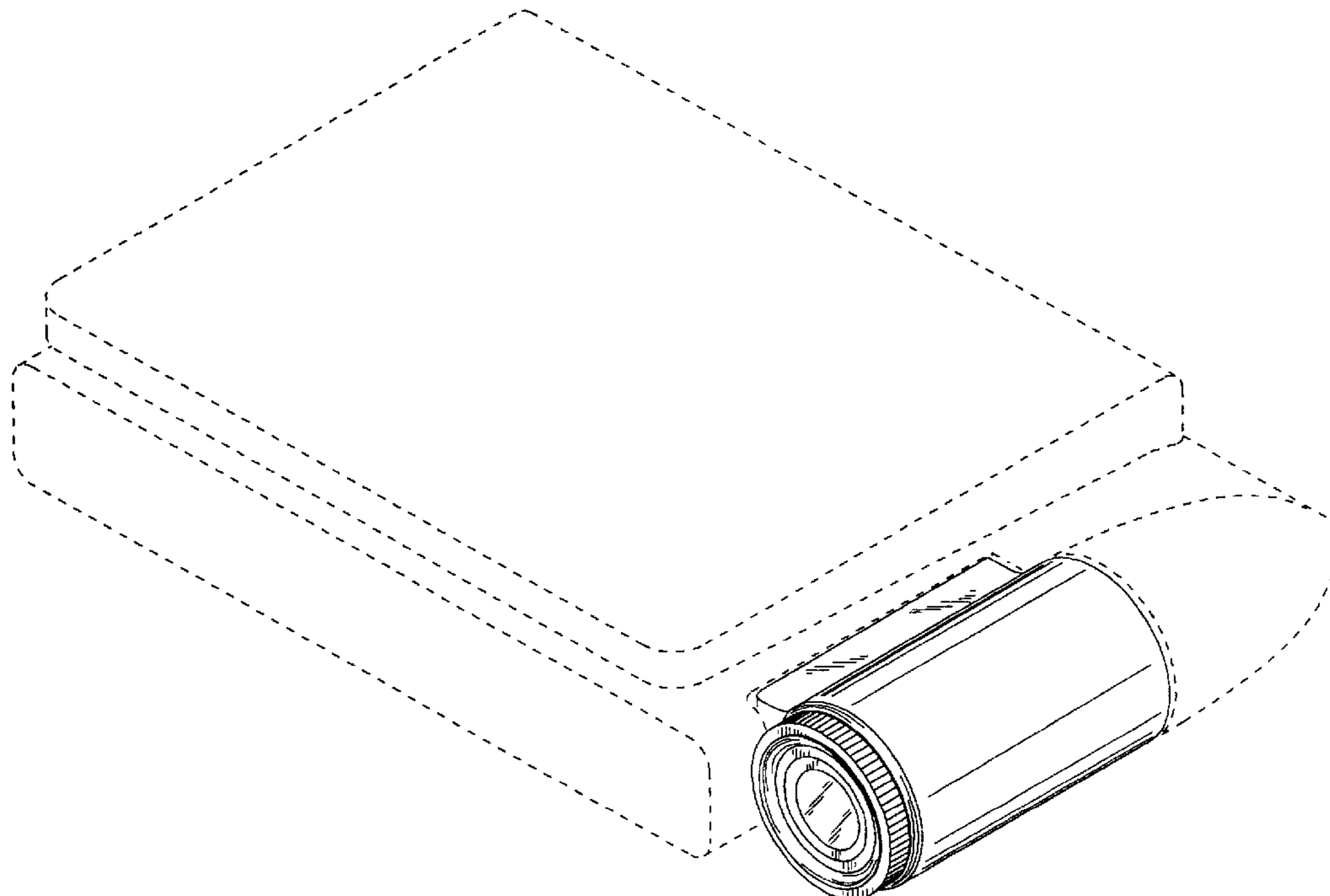
The ornamental design for a combined computer and video camera, as shown and described.

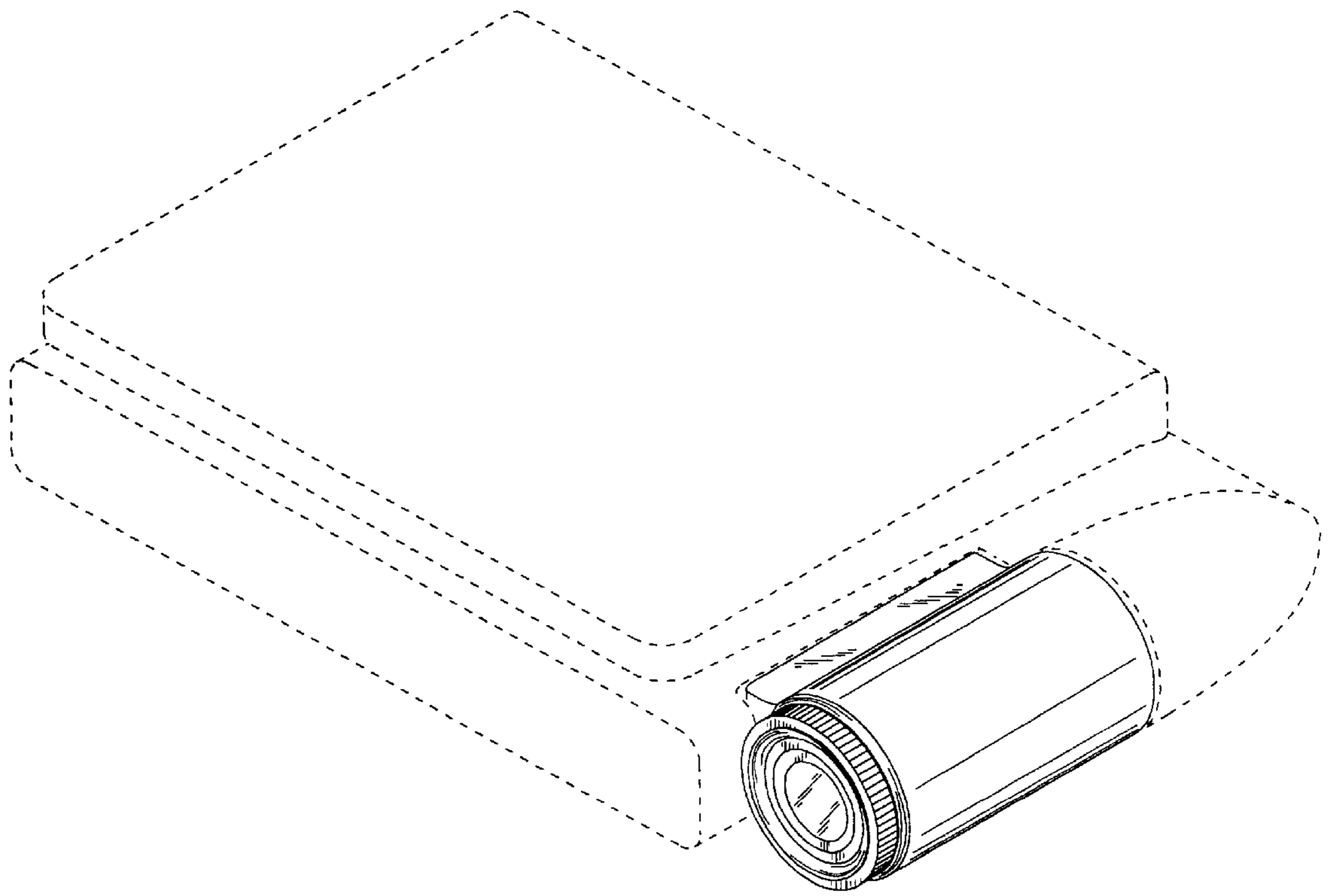
**DESCRIPTION**

FIG. 1 is a perspective view of a combined computer and video camera showing my new design;  
 FIG. 2 is a front elevational view thereof;  
 FIG. 3 is a rear elevational view thereof;  
 FIG. 4 is a left side elevational view thereof;  
 FIG. 5 is a right side elevational view thereof;  
 FIG. 6 is a top plan view thereof;  
 FIG. 7 is a bottom plan view thereof;  
 FIG. 8 is another right side elevational view, wherein the camera is in a first moving condition;  
 FIG. 9 is yet another right side view thereof, wherein the camera is in a second moving condition.  
 FIG. 10 is a second embodiment perspective view of a combine computer and video camera;  
 FIG. 11 is a front elevational view thereof;  
 FIG. 12 is a rear elevational view thereof;  
 FIG. 13 is a left side elevational view thereof;  
 FIG. 14 is a right side elevational view thereof;  
 FIG. 15 is a top plan view thereof;  
 FIG. 16 is a bottom plan view thereof;  
 FIG. 17 is a another left side view, wherein the camera is in a first moving condition; and,  
 FIG. 18 is yet another left side view thereof, wherein the camera is in a second moving condition.

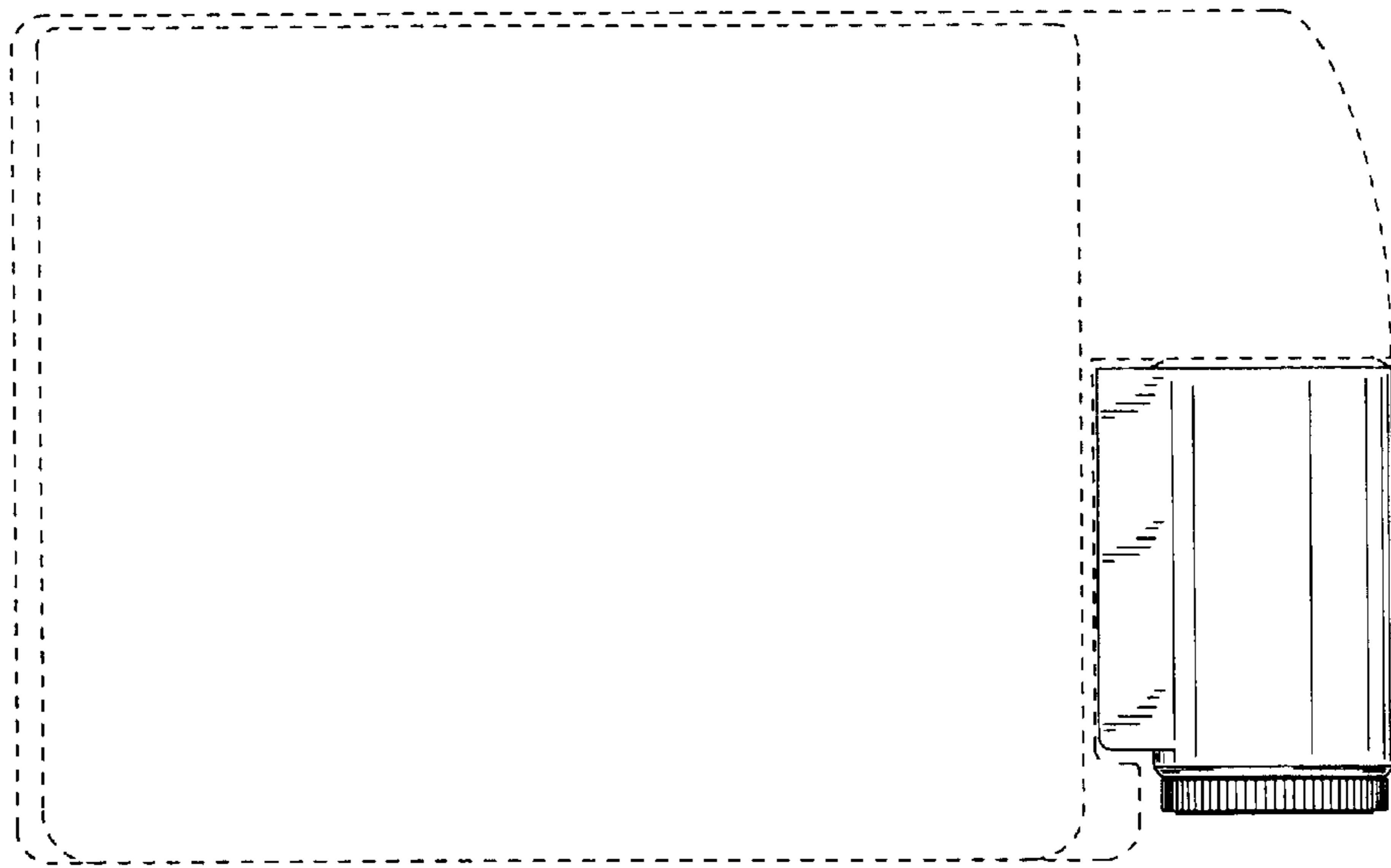
The portions of the article in broken lines are shown for illustrative purposes only and form no part of the claimed design.

**1 Claim, 10 Drawing Sheets**

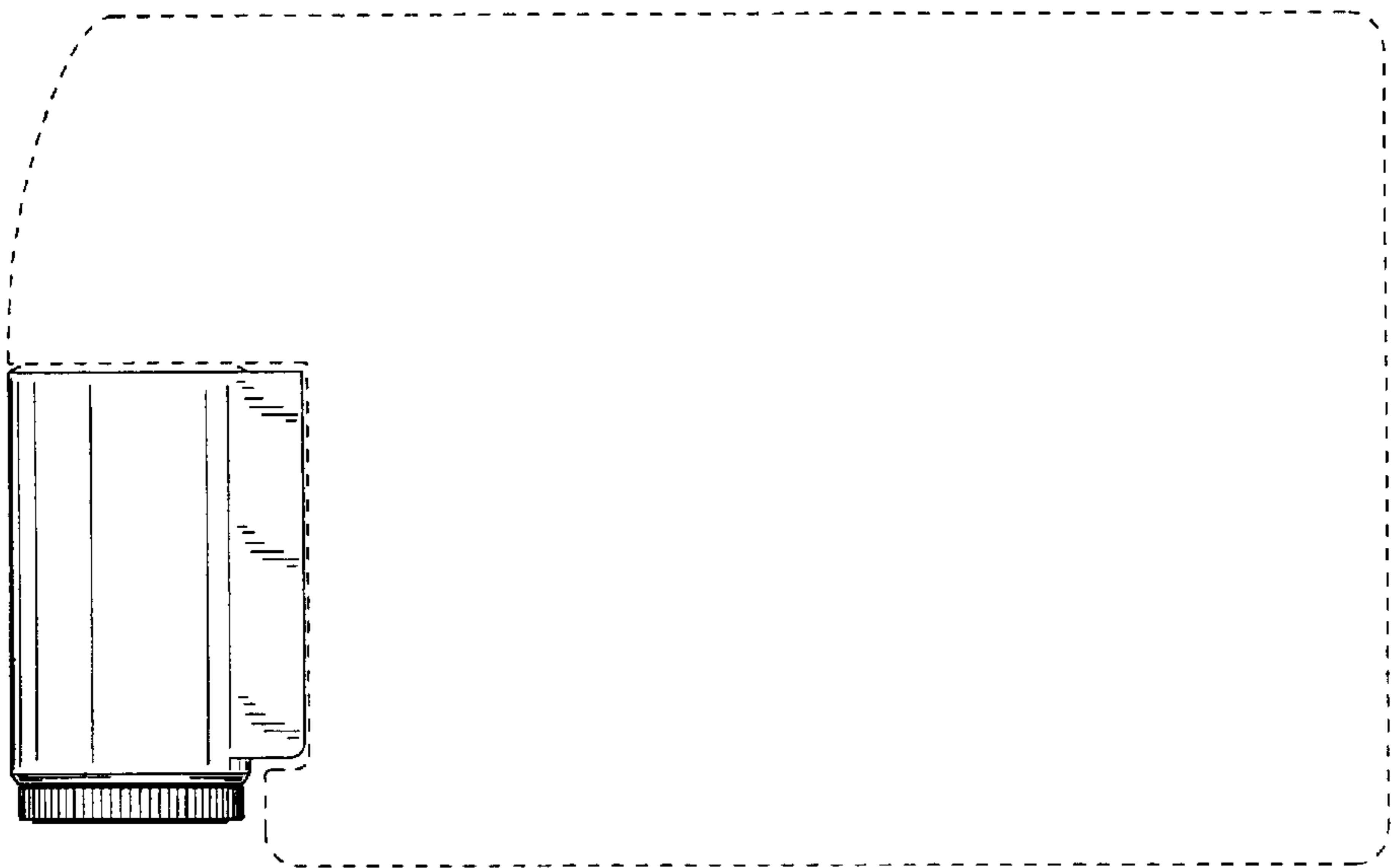




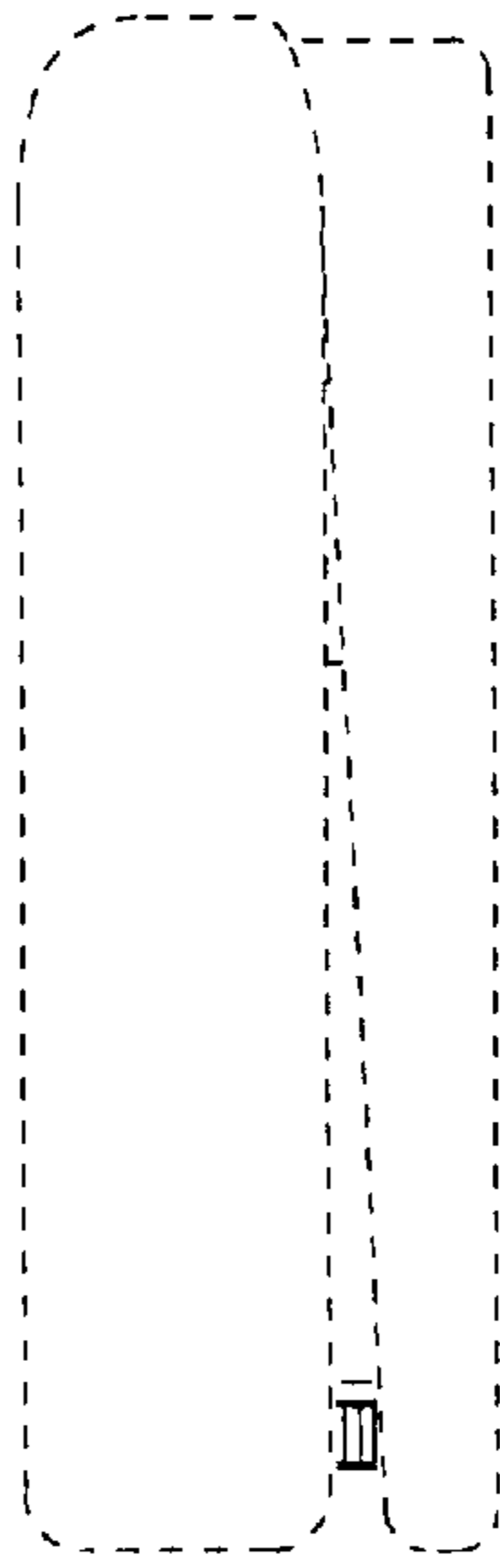
**Fig. 1**



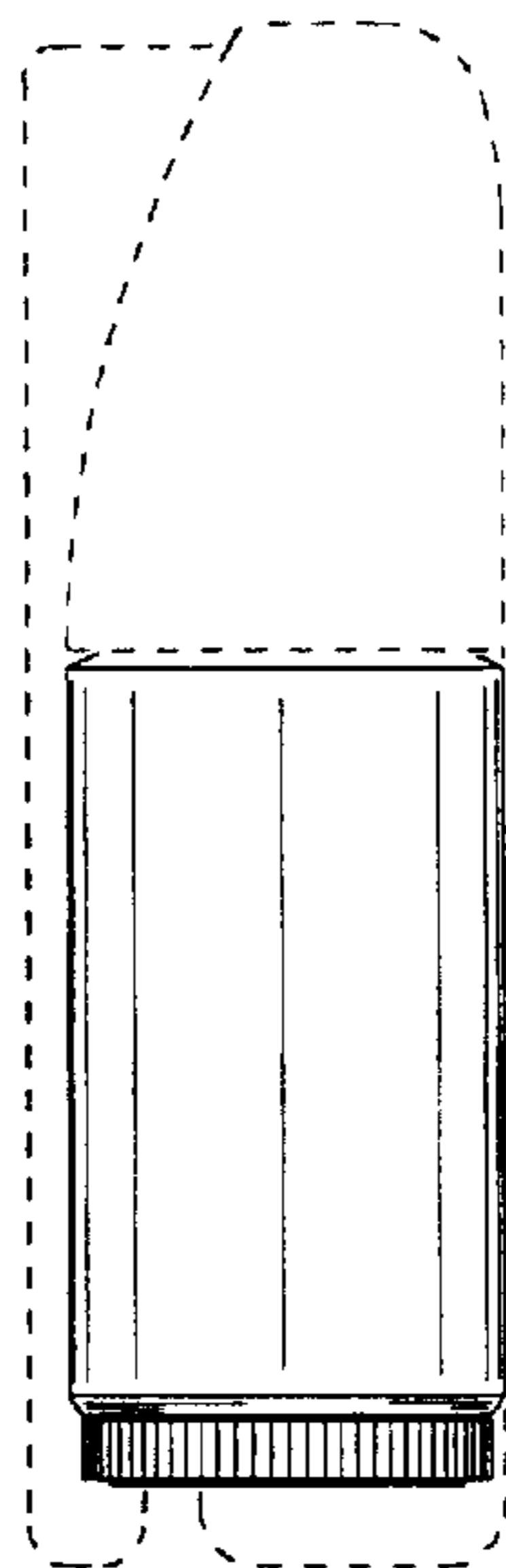
**Fig. 2**



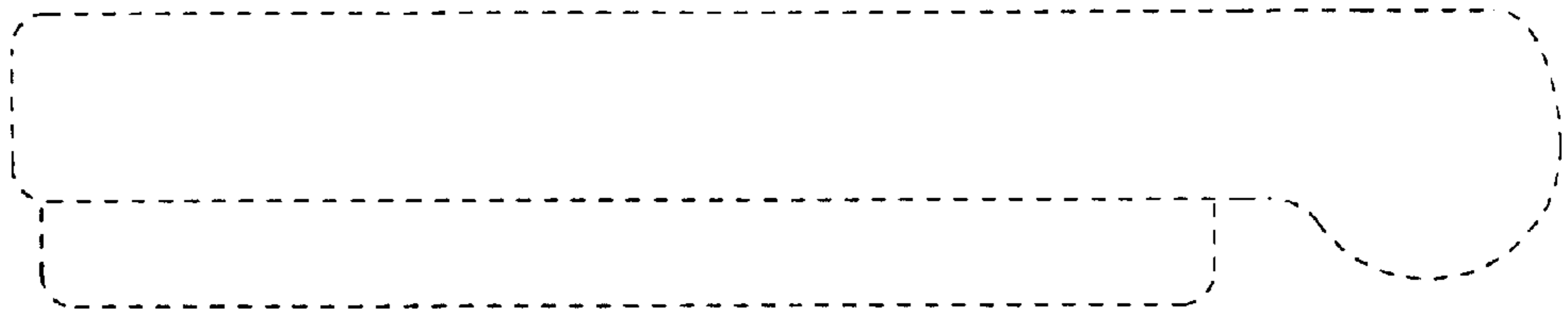
**Fig. 3**



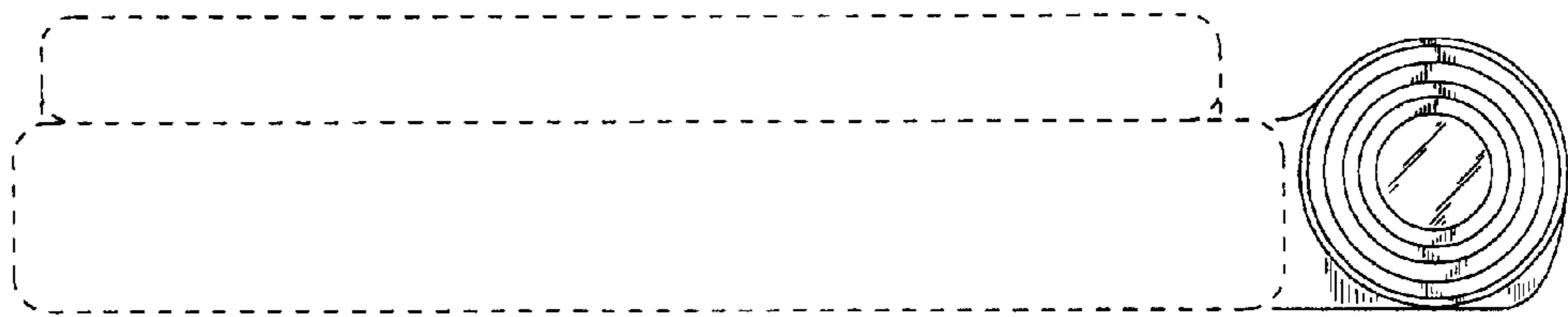
**Fig. 4**



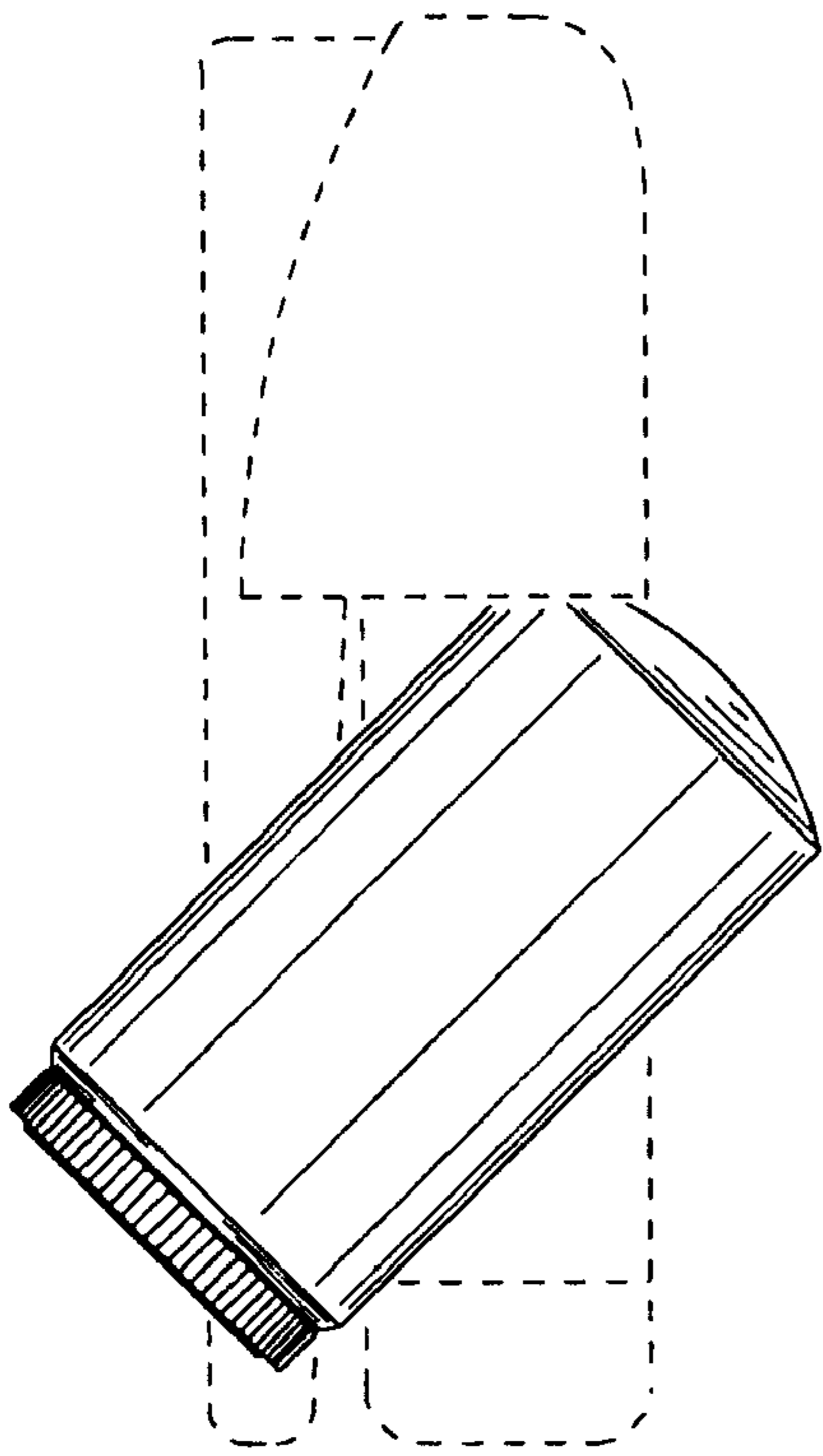
**Fig. 5**



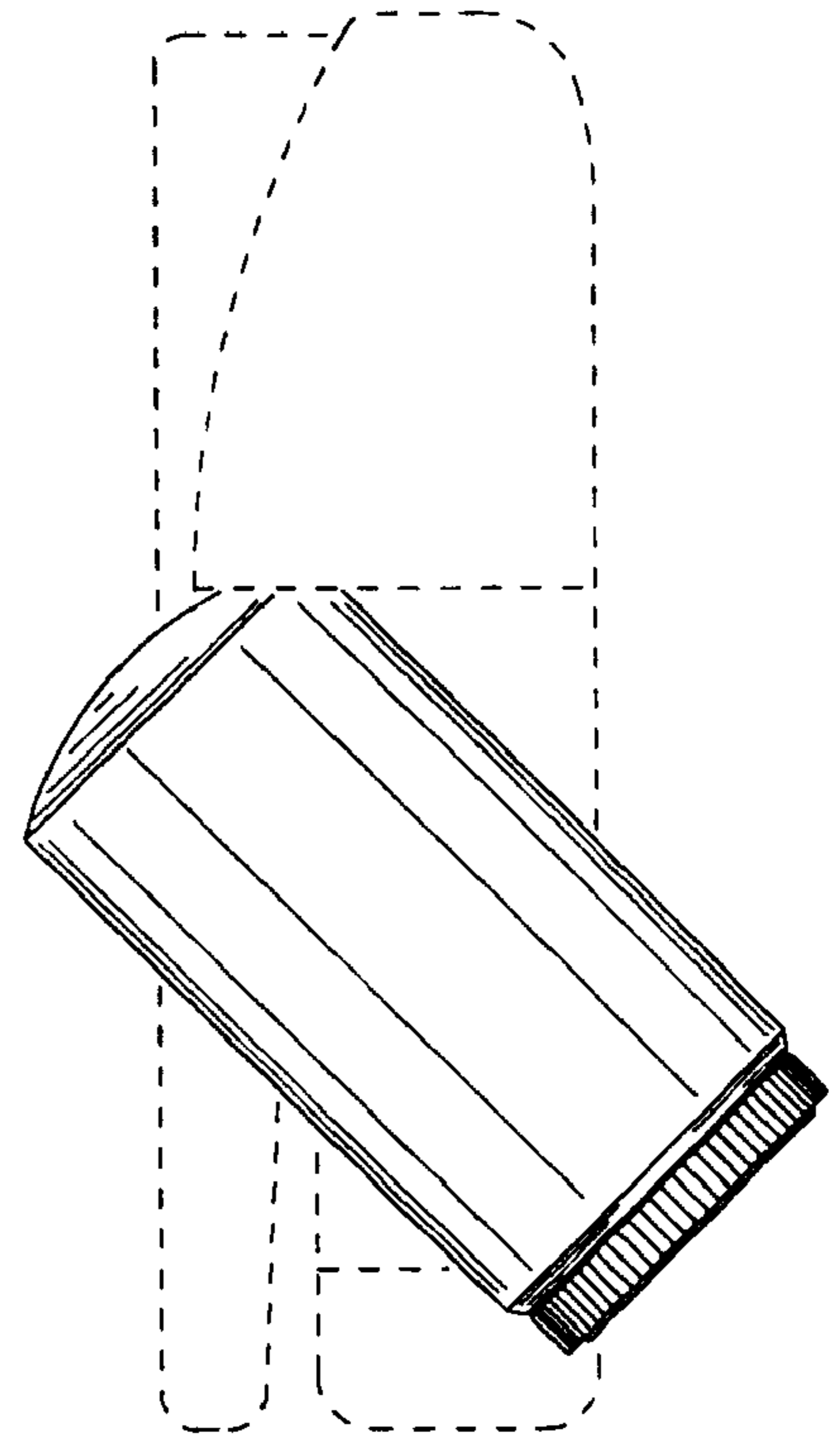
**Fig. 6**



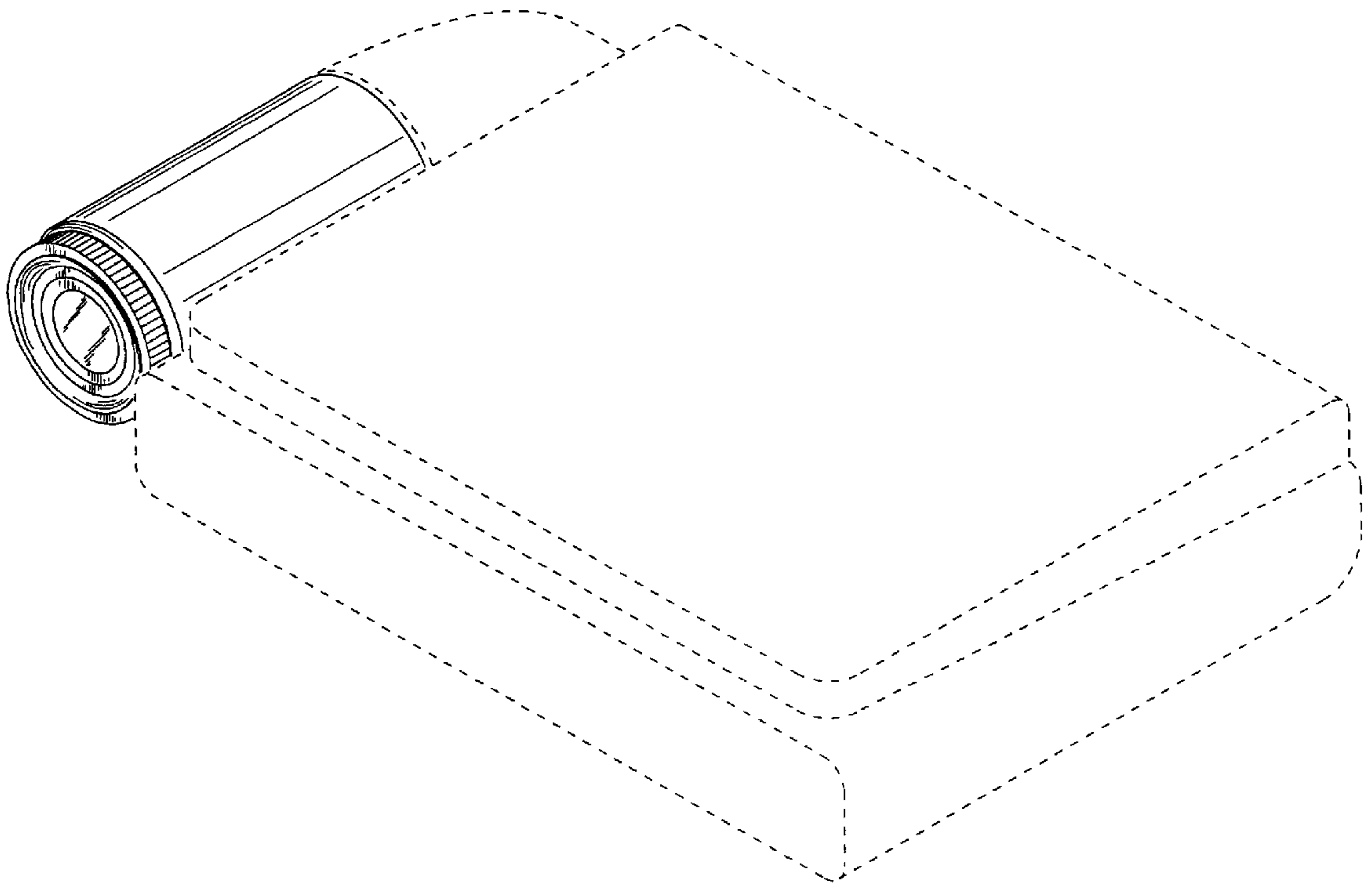
**Fig. 7**



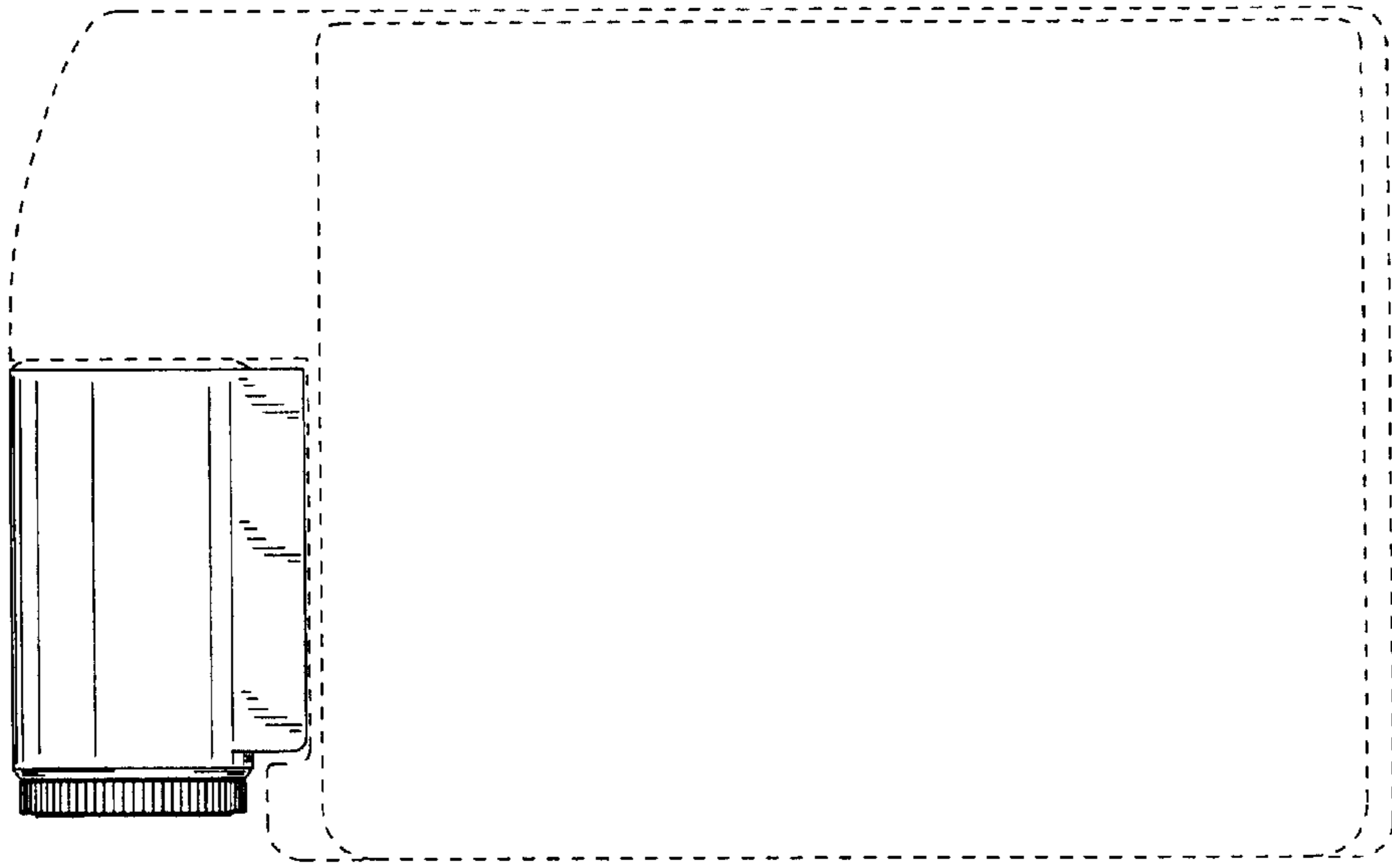
**Fig. 8**



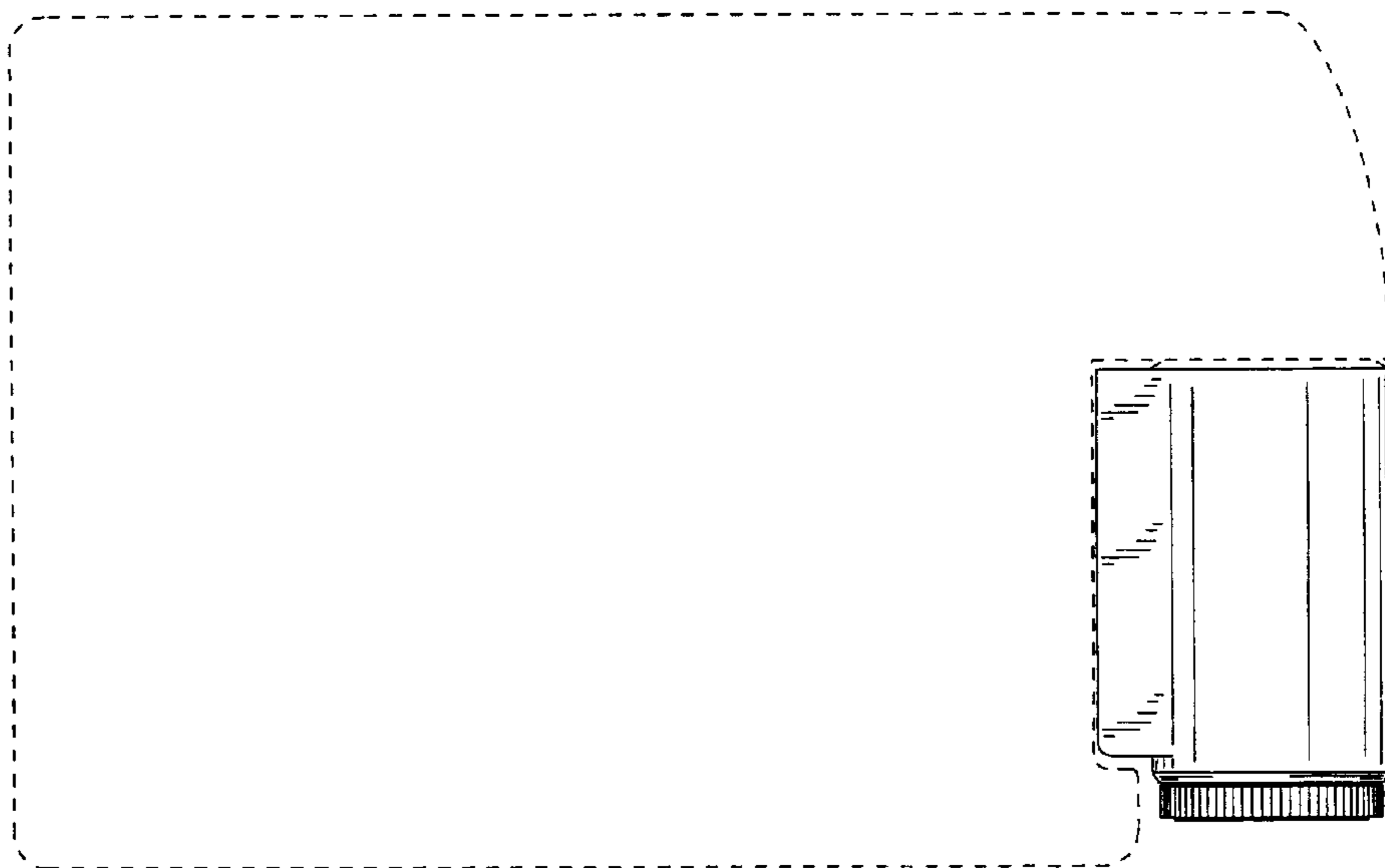
**Fig. 9**



**Fig. 10**

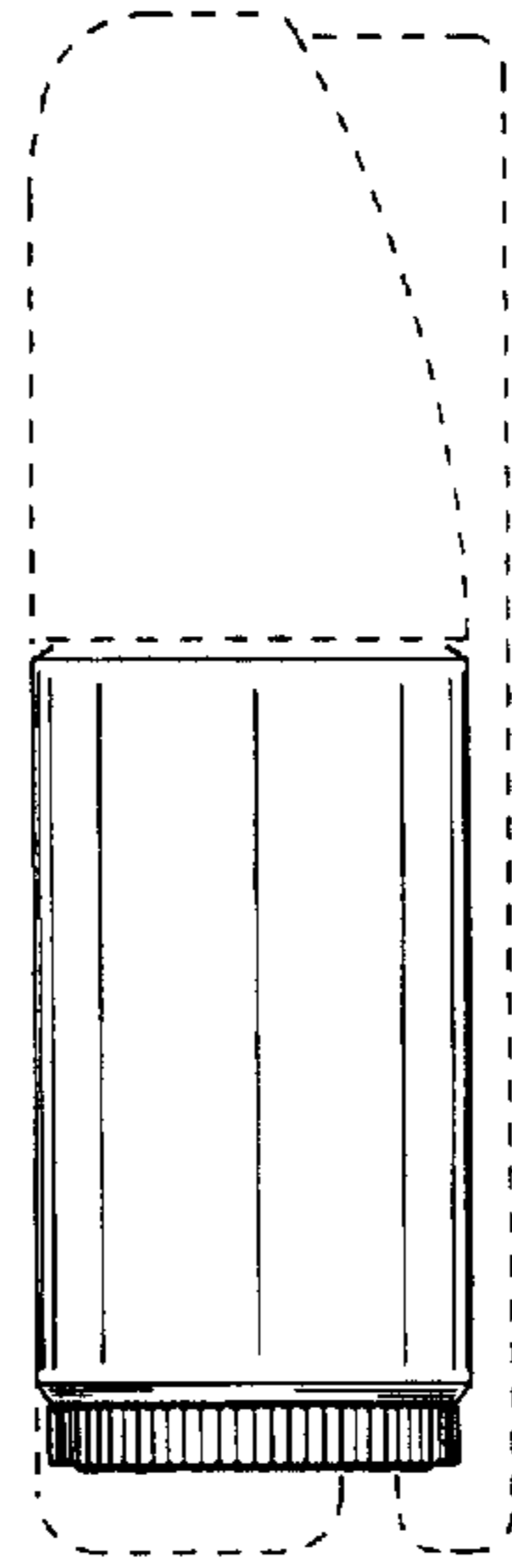


**Fig. 11**

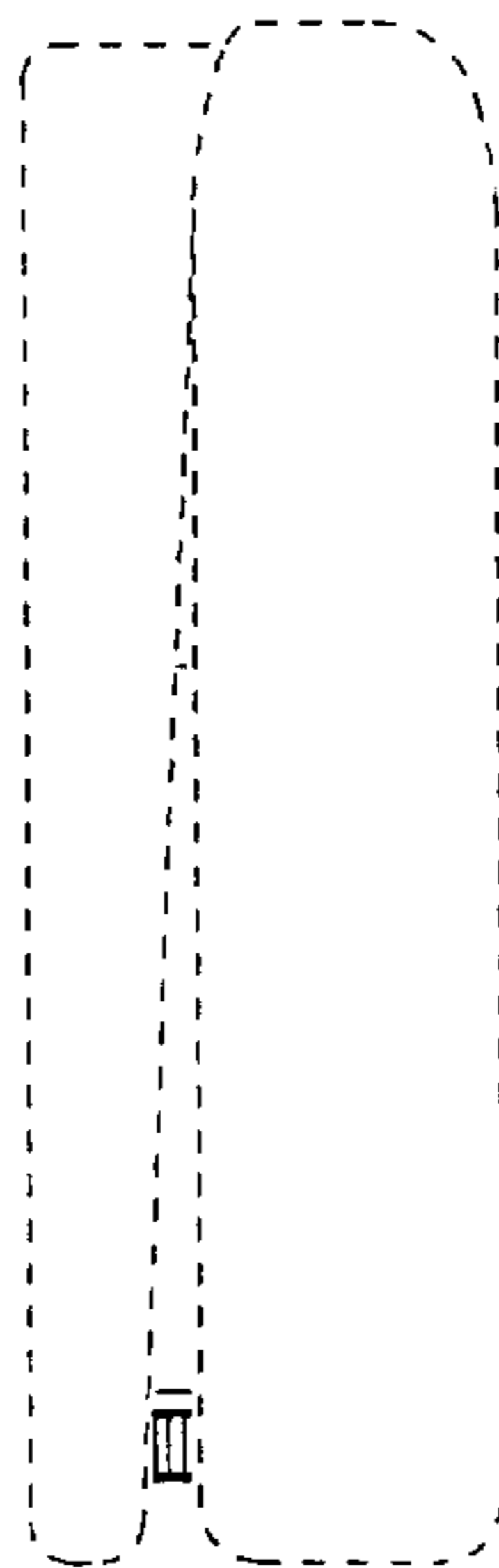


**Fig. 12**





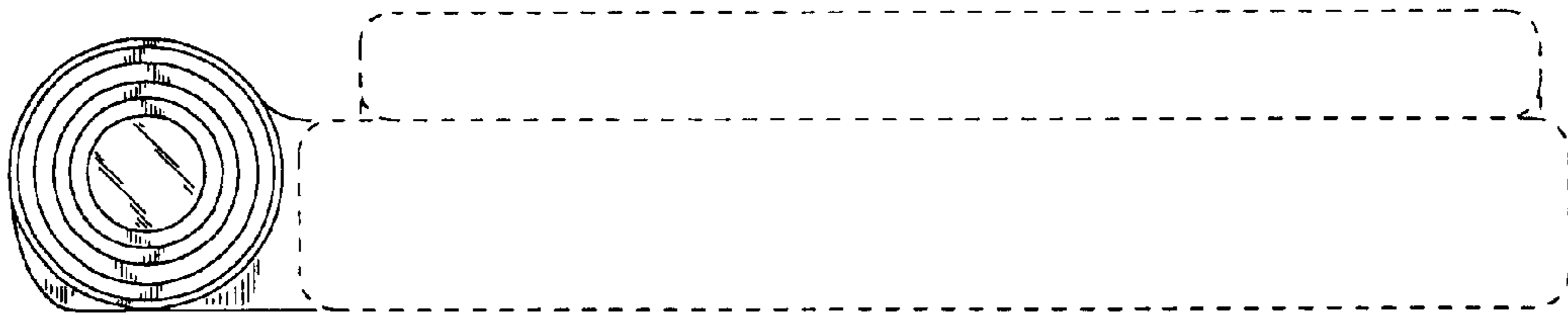
**Fig. 13**



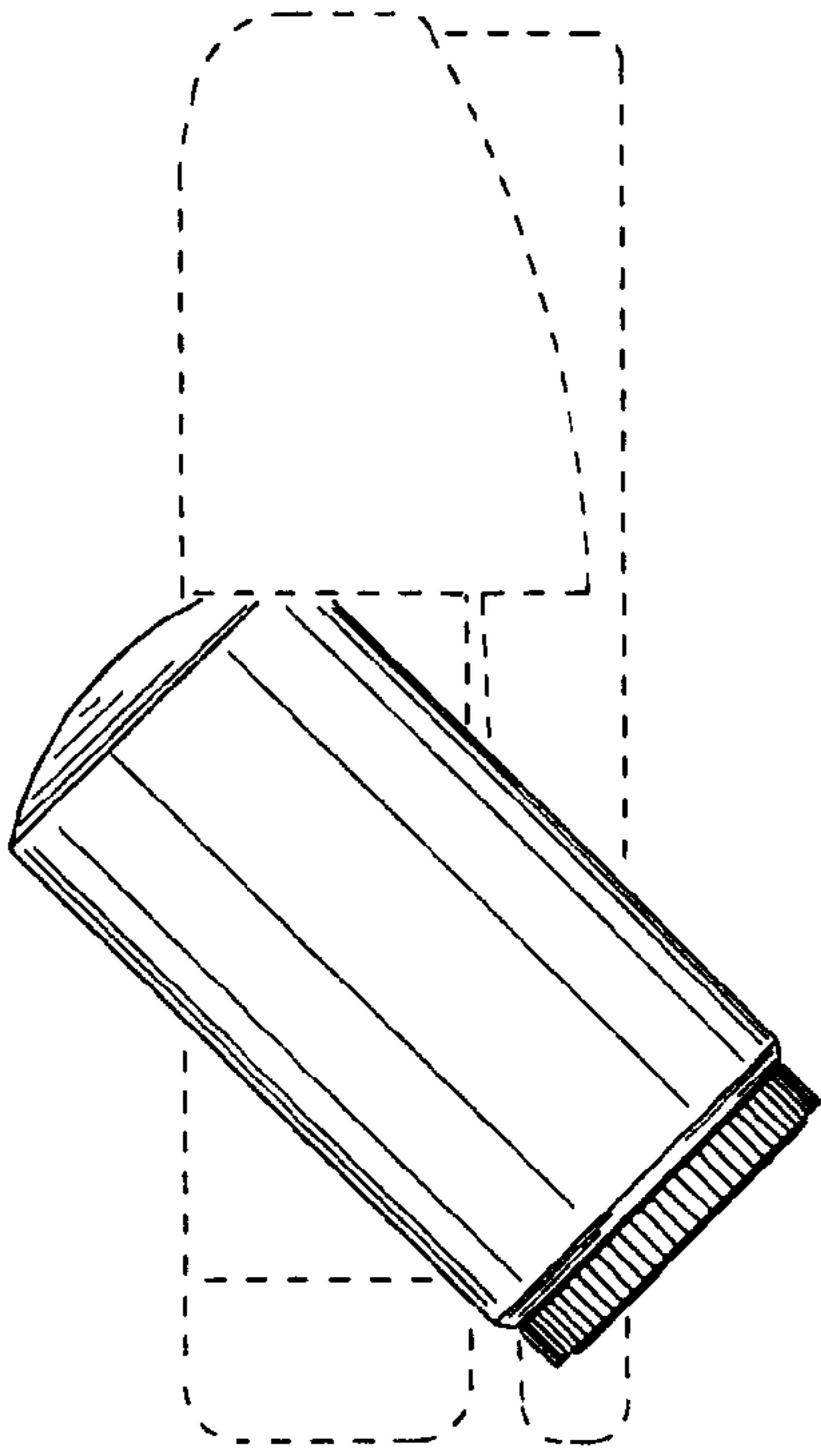
**Fig. 14**



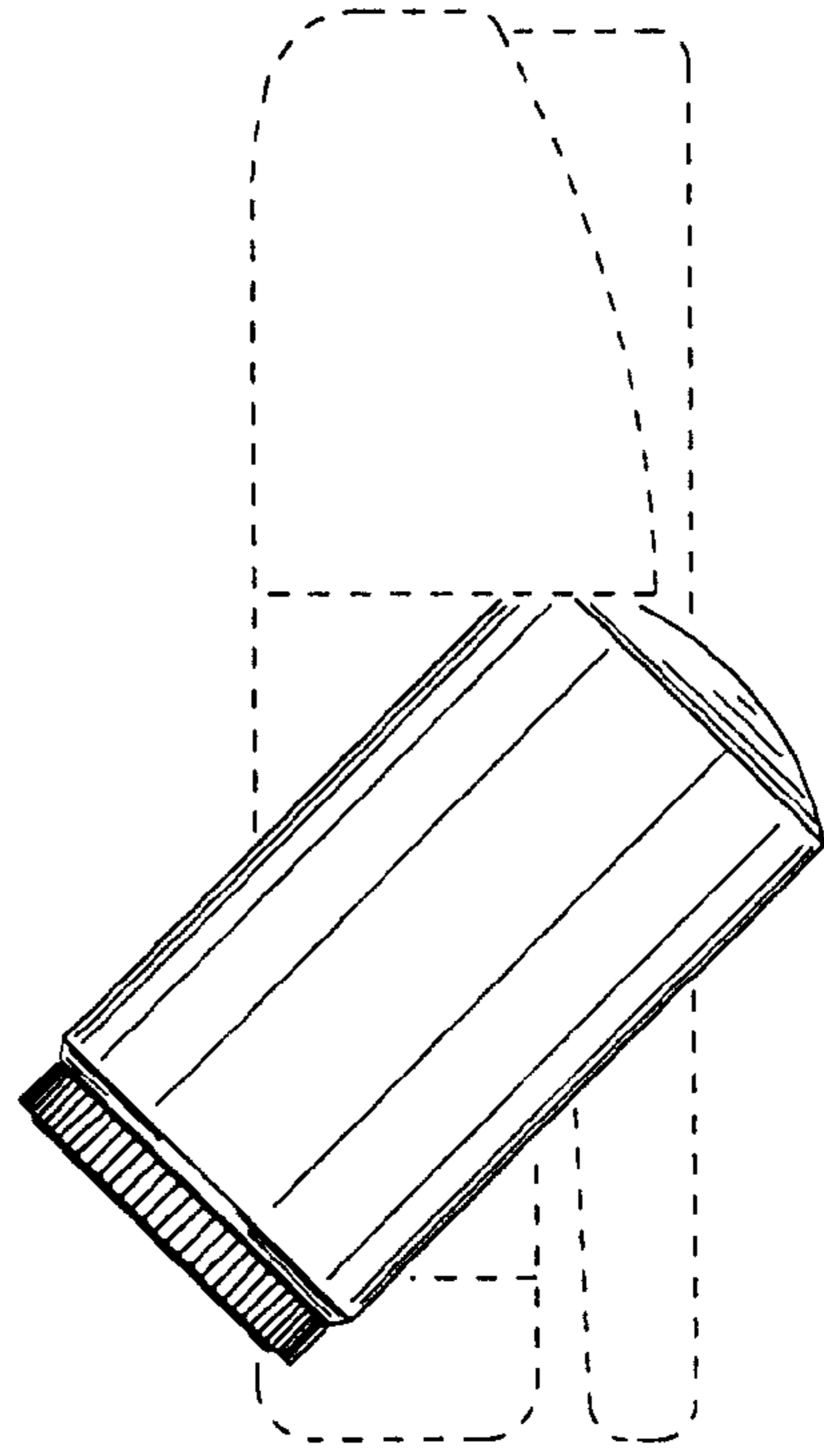
**Fig. 15**



**Fig. 16**



**Fig. 17**



**Fig. 18**