



US00D474488S

(12) **United States Design Patent**  
Arbuckle et al.

(10) **Patent No.:** **US D474,488 S**

(45) **Date of Patent:** **\*\* May 13, 2003**

(54) **NOTCHED CAMERA CASE WITH SWIVEL BASE**

(75) Inventors: **James F. Arbuckle**, Fresno, CA (US);  
**Gregory S. Giroux**, Fresno, CA (US);  
**William S. Arbuckle**, Fresno, CA (US)

(73) Assignee: **Pelco**, Clovis, CA (US)

(\*\*) Term: **14 Years**

(21) Appl. No.: **29/131,537**

(22) Filed: **Oct. 23, 2000**

(51) **LOC (7) Cl.** ..... **16-01**

(52) **U.S. Cl.** ..... **D16/203**

(58) **Field of Search** ..... D16/200, 201,  
D16/202-204, 242; 248/183.2, 187.1; 348/373-376;  
396/419, 427

(56) **References Cited**

**U.S. PATENT DOCUMENTS**

3,568,583 A *	3/1971	Horberg, Jr. ....	396/427
D221,403 S	8/1971	Nobuki .....	D16/204
3,643,566 A	2/1972	Ando et al.	
4,008,372 A	2/1977	Ueno et al.	
4,394,692 A	7/1983	Randmae et al.	
4,414,576 A *	11/1983	Randmae .....	348/373
4,420,240 A	12/1983	Katsuma et al.	
D307,915 S	5/1990	Kuester, III .....	D16/203
5,068,720 A	11/1991	Herlitz et al.	

D332,473 S	1/1993	Chan .....	D21/514
D334,761 S	4/1993	Ina et al. ....	D16/202
5,224,675 A	7/1993	Ellenberger .....	248/183.4
5,227,822 A	7/1993	Takahashi et al.	
D340,940 S	11/1993	Ellenberger .....	D16/242
D347,442 S *	5/1994	Falconer .....	D16/203
D349,714 S *	8/1994	Hasegawa .....	D16/203
D387,791 S *	12/1997	Wen .....	D16/242
D403,340 S	12/1998	Arbuckle .....	D16/203
6,019,524 A	2/2000	Arbuckle .....	396/427

\* cited by examiner

*Primary Examiner*—Adir Aronovich

(74) *Attorney, Agent, or Firm*—Mark D. Miller

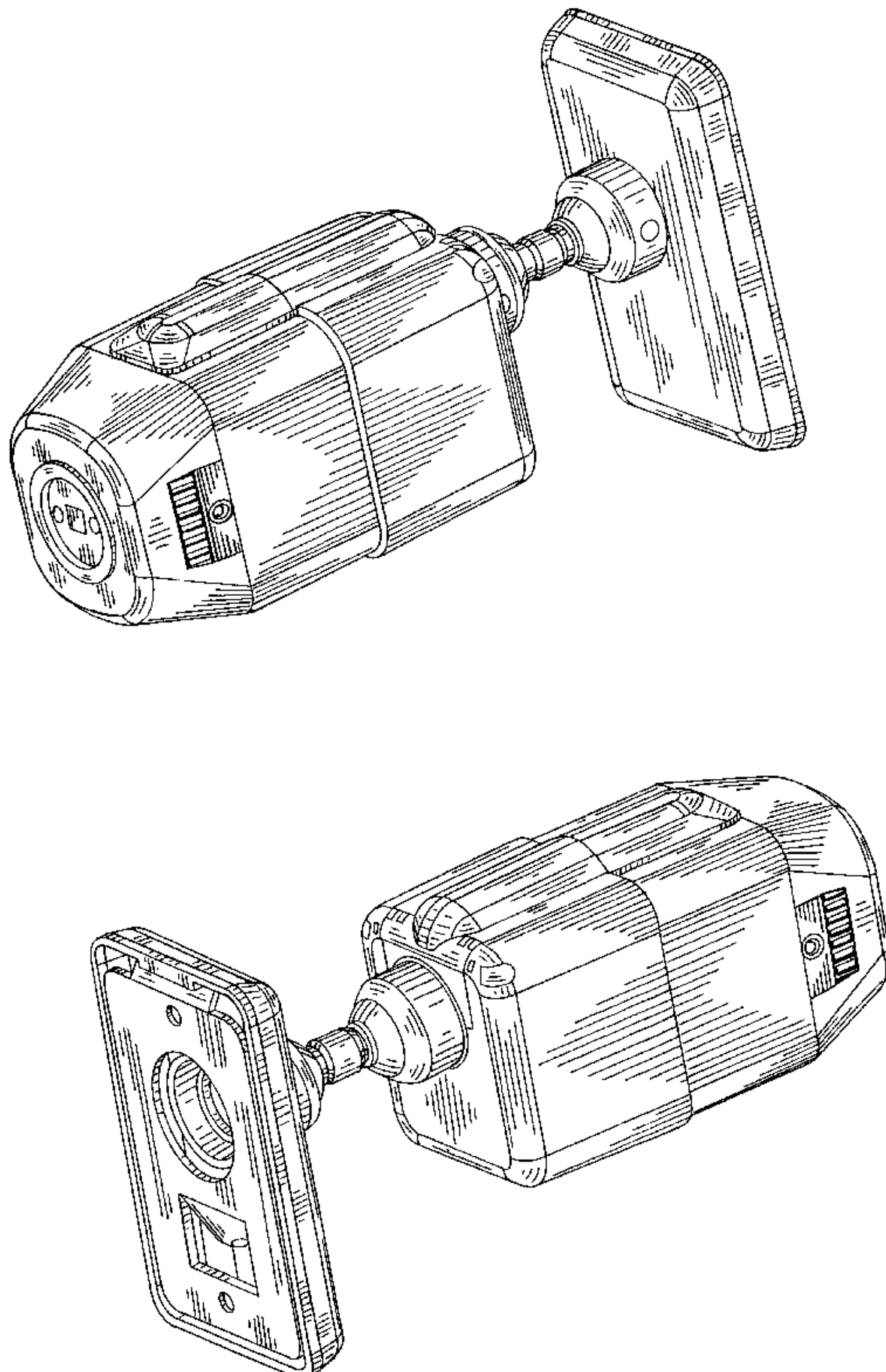
(57) **CLAIM**

The ornamental design for a notched camera case with swivel base, as shown.

**DESCRIPTION**

FIG. 1 is a front elevational view of the notched camera case with swivel base showing our new design; FIG. 2 is a rear elevational view thereof; FIG. 3 is a top plan view thereof; FIG. 4 is a bottom plan view thereof; FIG. 5 is a left side elevational view thereof; FIG. 6 is a right side elevational view thereof; FIG. 7 is a front perspective view thereof; and, FIG. 8 is a rear perspective view thereof.

**1 Claim, 5 Drawing Sheets**



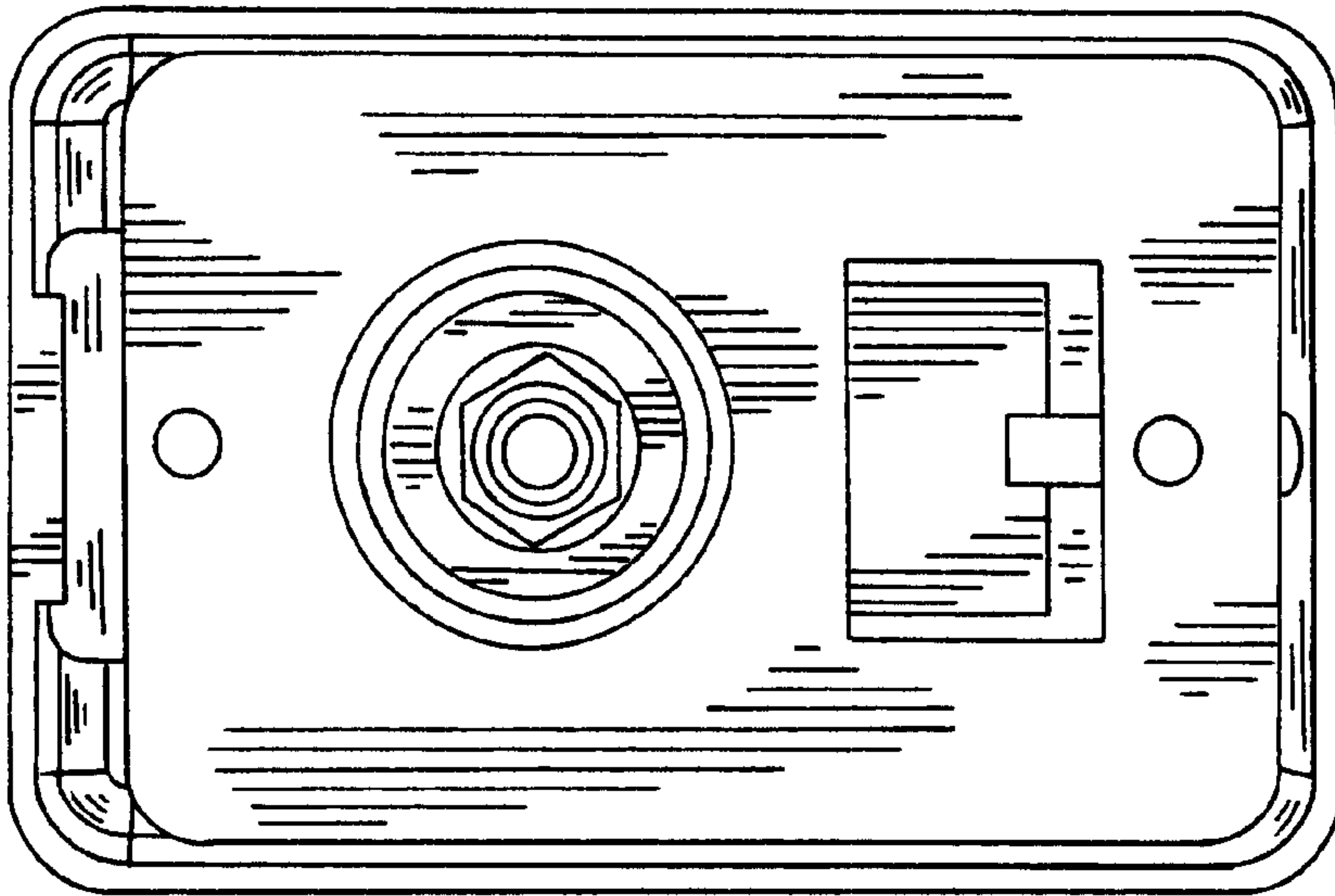


FIG. 2

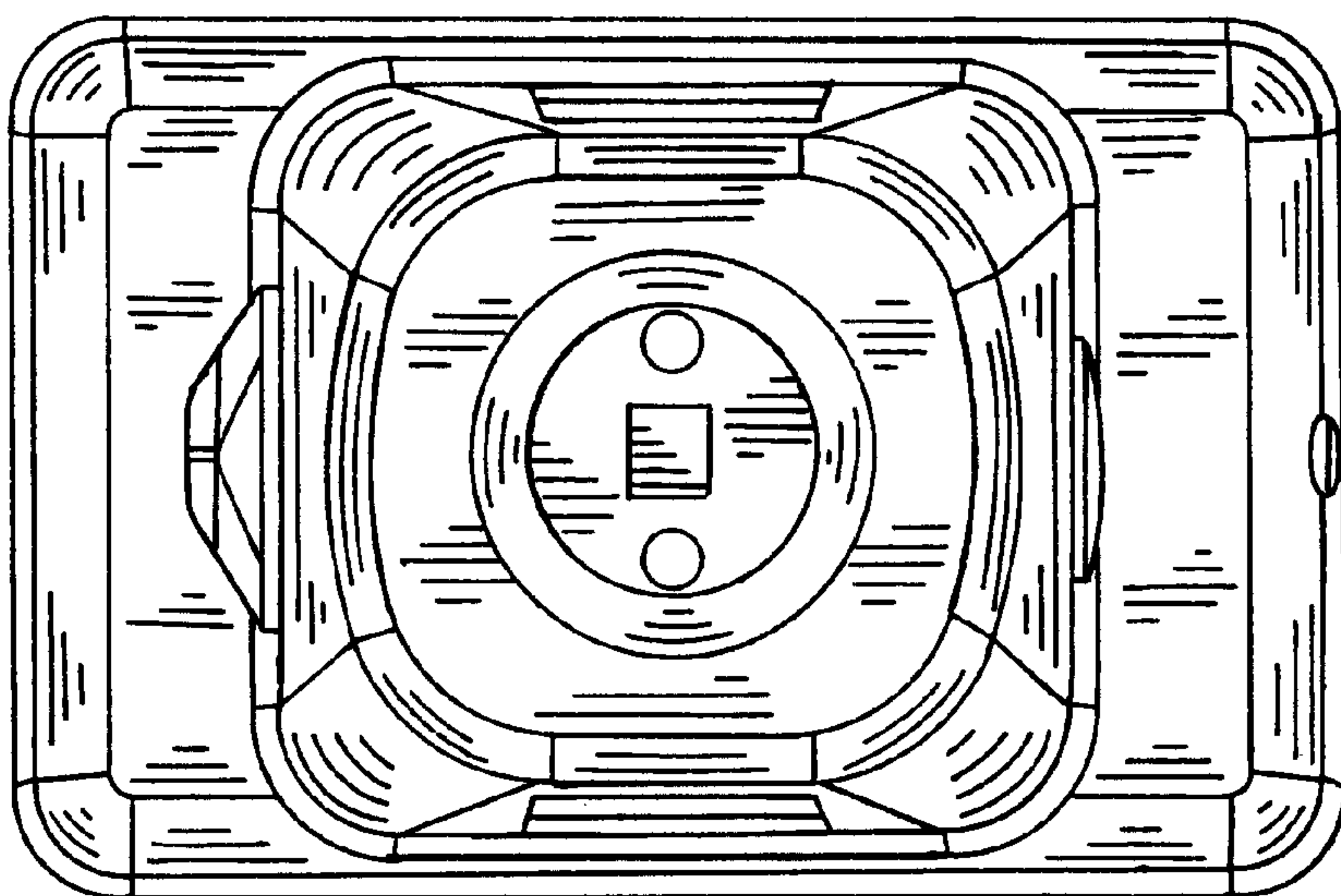


FIG. 1

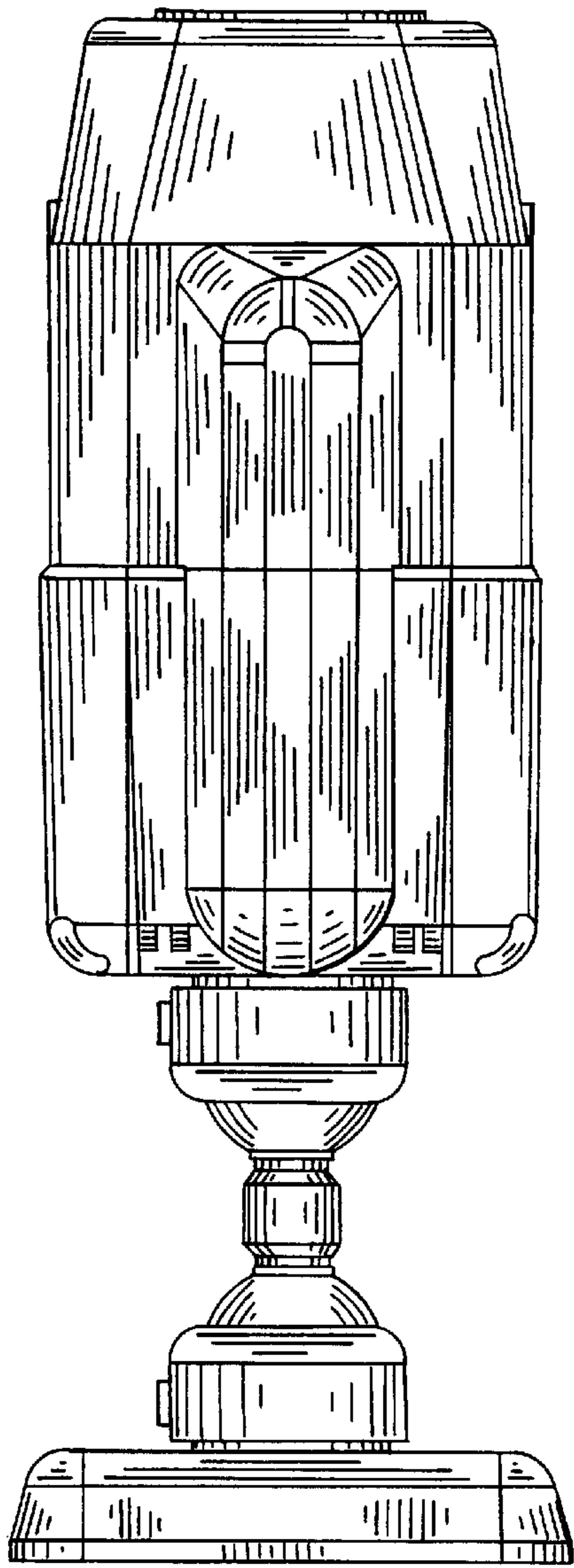


FIG. 3

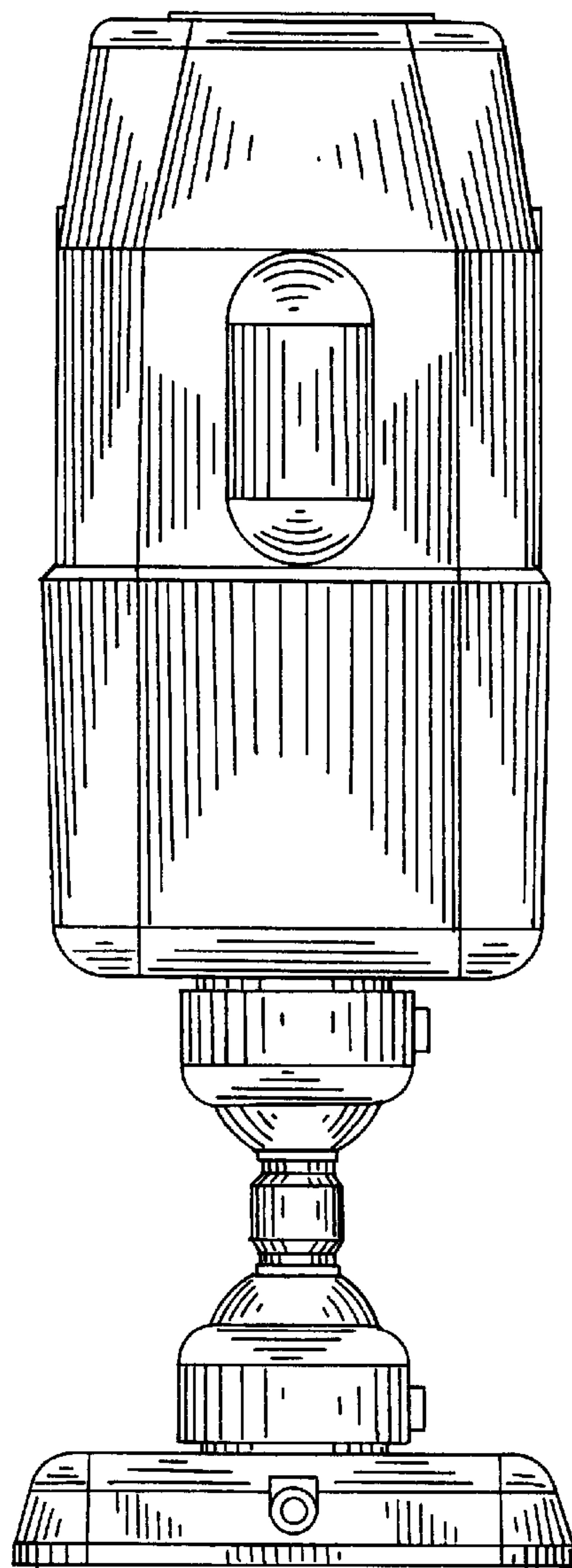


FIG. 4

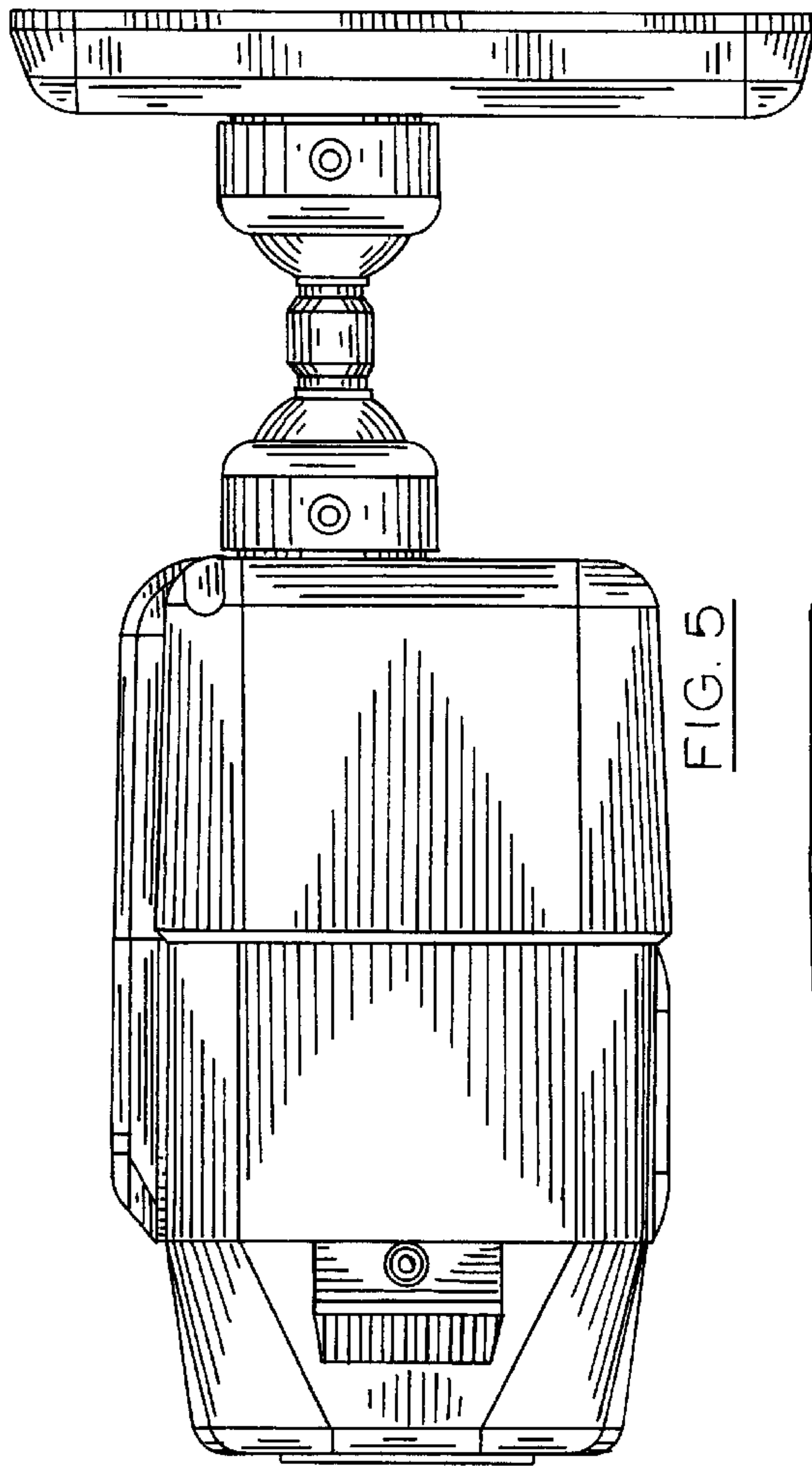


FIG. 5

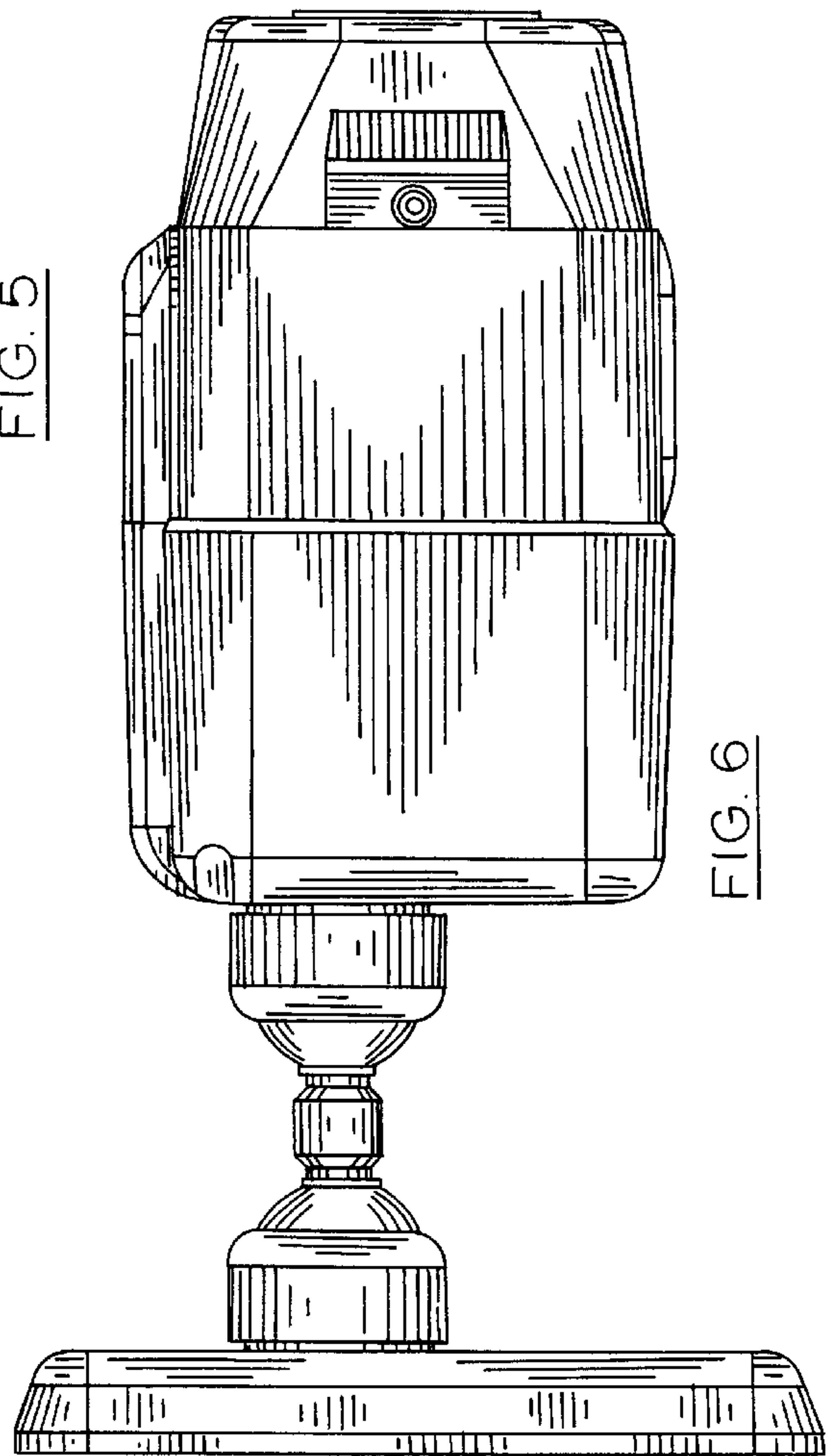


FIG. 6



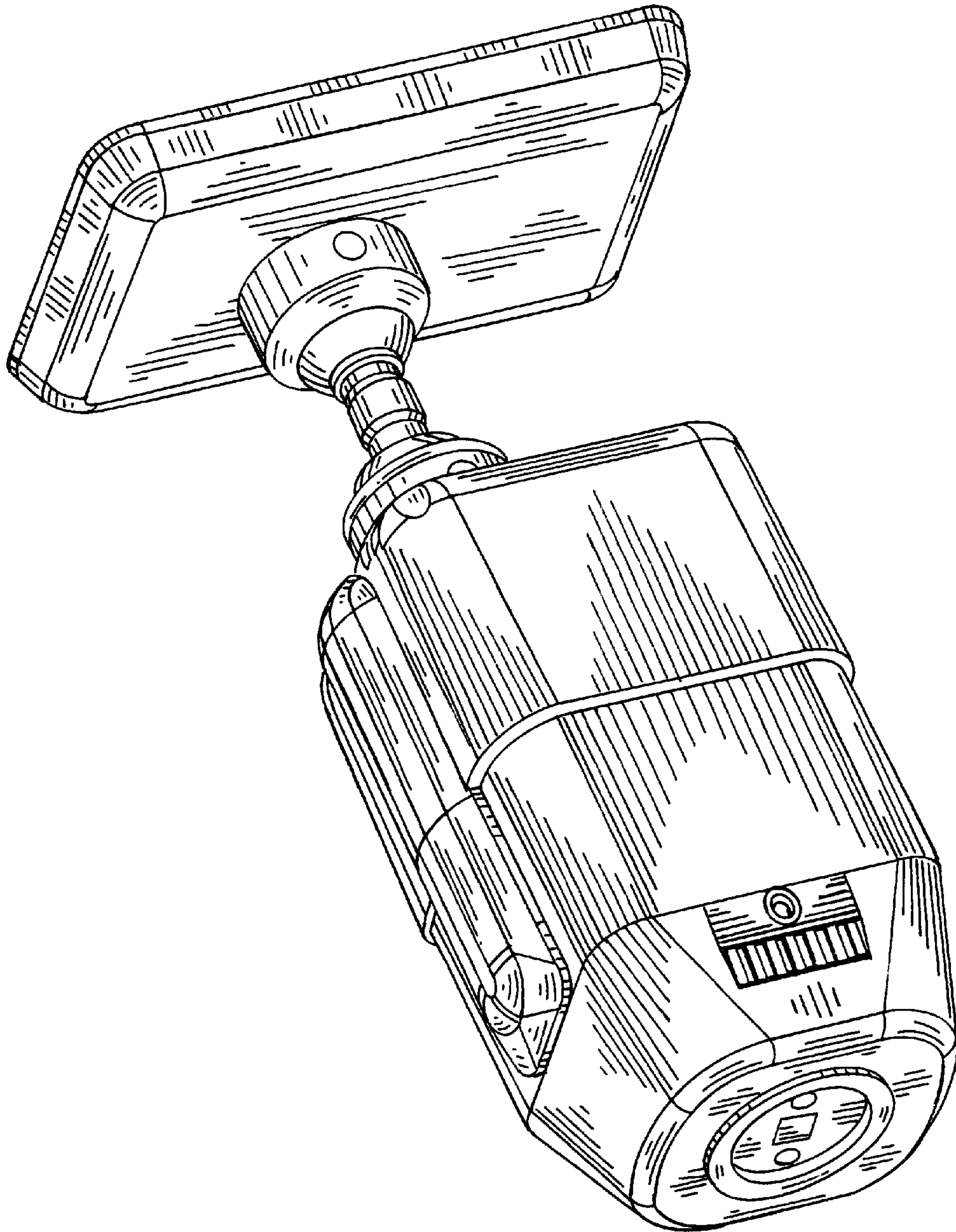


FIG. 7

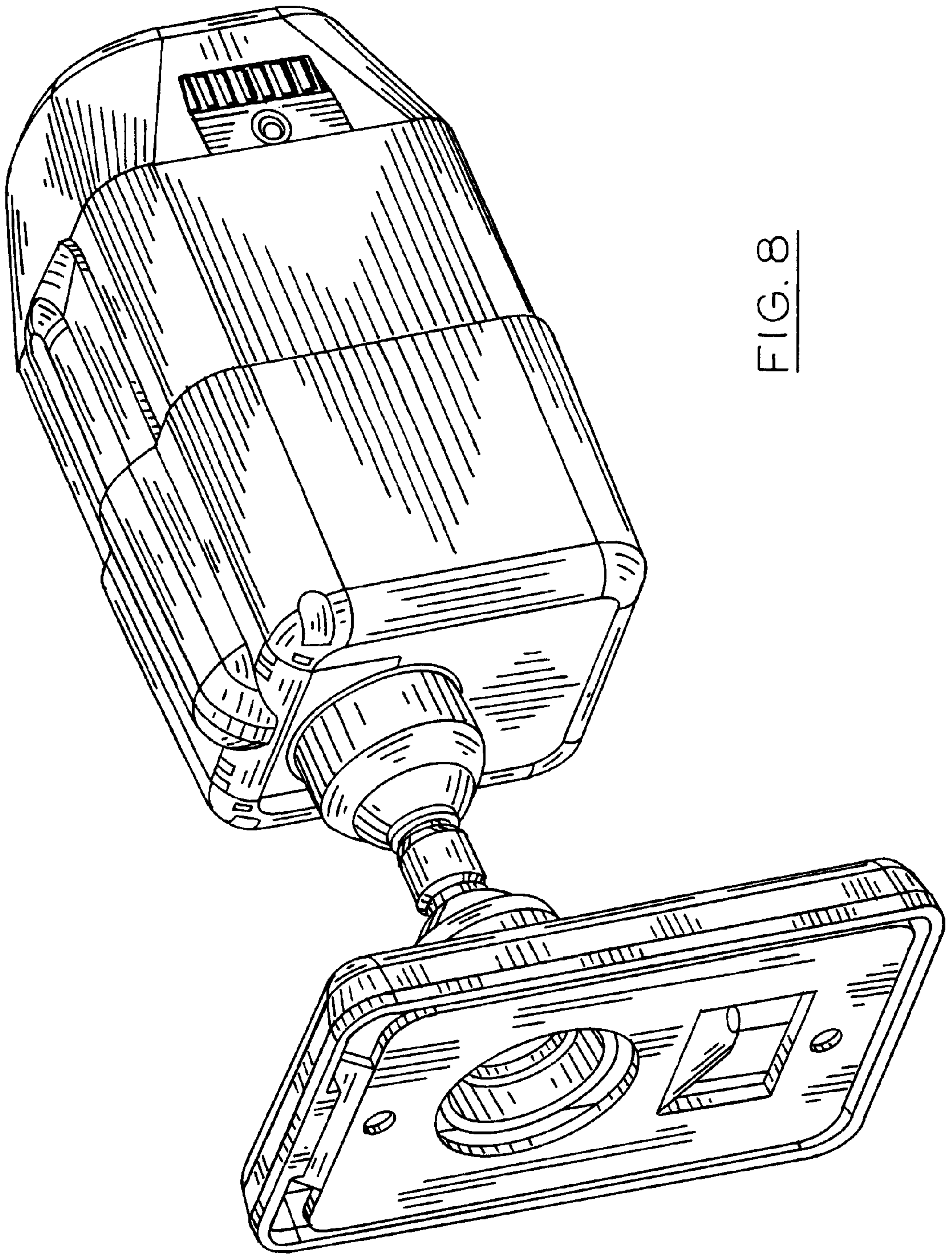


FIG. 8