



US00D474485S

(12) **United States Design Patent**
Eveland et al.

(10) **Patent No.: US D474,485 S**

(45) **Date of Patent: ** May 13, 2003**

(54) **COMPARTMENT ASSEMBLY FOR A REFRIGERATOR**

FOREIGN PATENT DOCUMENTS

JP 9-113107 5/1997

* cited by examiner

Primary Examiner—Mitchell Siegel
(74) *Attorney, Agent, or Firm*—Diederiks & Whitelaw, PLC

(75) Inventors: **Michael J. Eveland**, Cedar Rapids, IA (US); **Tamara Kappler**, Cedar Rapids, IA (US); **Todd E. Kniffen**, Williamsburg, IA (US); **Timothy M. Nugent**, Venice, CA (US); **David J. Olberding**, Cedar Rapids, IA (US); **Robert Pohl**, Walford, IA (US); **Ravi K. Sawhney**, Calabasas, CA (US); **Eric Svenby**, Sigourney, IA (US); **Dennis E. Winders**, Cedar Rapids, IA (US); **John Frank Zinni**, Capistrano Beach, CA (US)

(57) **CLAIM**

The ornamental design for a compartment assembly for a refrigerator, as shown and described.

(73) Assignee: **Maytag Corporation**, Newton, IA (US)

DESCRIPTION

(**) Term: **14 Years**

(21) Appl. No.: **29/163,929**

FIG. 1 is a top right perspective view of a compartment assembly showing our new design mounted on a door liner of a refrigerator;
FIG. 2 is an enlarged, top right perspective view of the compartment assembly of the invention;
FIG. 3 is a front elevational view of the compartment assembly of FIG. 2;
FIG. 4 is a rear elevational view of the compartment assembly of FIG. 2;
FIG. 5 is a right side elevational view of the compartment assembly of FIG. 2;
FIG. 6 is a left side elevational view of the compartment assembly of FIG. 2;
FIG. 7 is a top plan view of the compartment assembly of FIG. 2;
FIG. 8 is a bottom plan view of the compartment assembly of FIG. 2; and,
FIG. 9 is a top right perspective view of the compartment assembly of the invention, similar to that of FIG. 2, but depicting a cover of the compartment assembly in an open condition.

(22) Filed: **Jul. 16, 2002**

(51) **LOC (7) Cl.** **15-07**

(52) **U.S. Cl.** **D15/89**

(58) **Field of Search** D15/79-91; D7/590;
312/137, 138.1, 139.1, 236, 284, 327, 328,
344, 116, 117, 401-408; 62/245-248, 251,
275, 125, 127

The broken lines showing the refrigerator in FIG. 1 are for illustrative purposes only and form no part of the claimed invention.

(56) **References Cited**

U.S. PATENT DOCUMENTS

D246,634 S	*	12/1977	Levitt	D7/590
D246,978 S	*	1/1978	Armstrong	D15/89
5,346,299 A		9/1994	Werkmeister et al.		
5,370,455 A		12/1994	Sedovic et al.		
5,951,134 A		9/1999	Braun et al.		
6,085,542 A		7/2000	Johnson et al.		
D447,793 S	*	9/2001	Ferrer Beltran	D23/284
D468,326 S	*	1/2003	Lorek et al.	D15/81

1 Claim, 7 Drawing Sheets

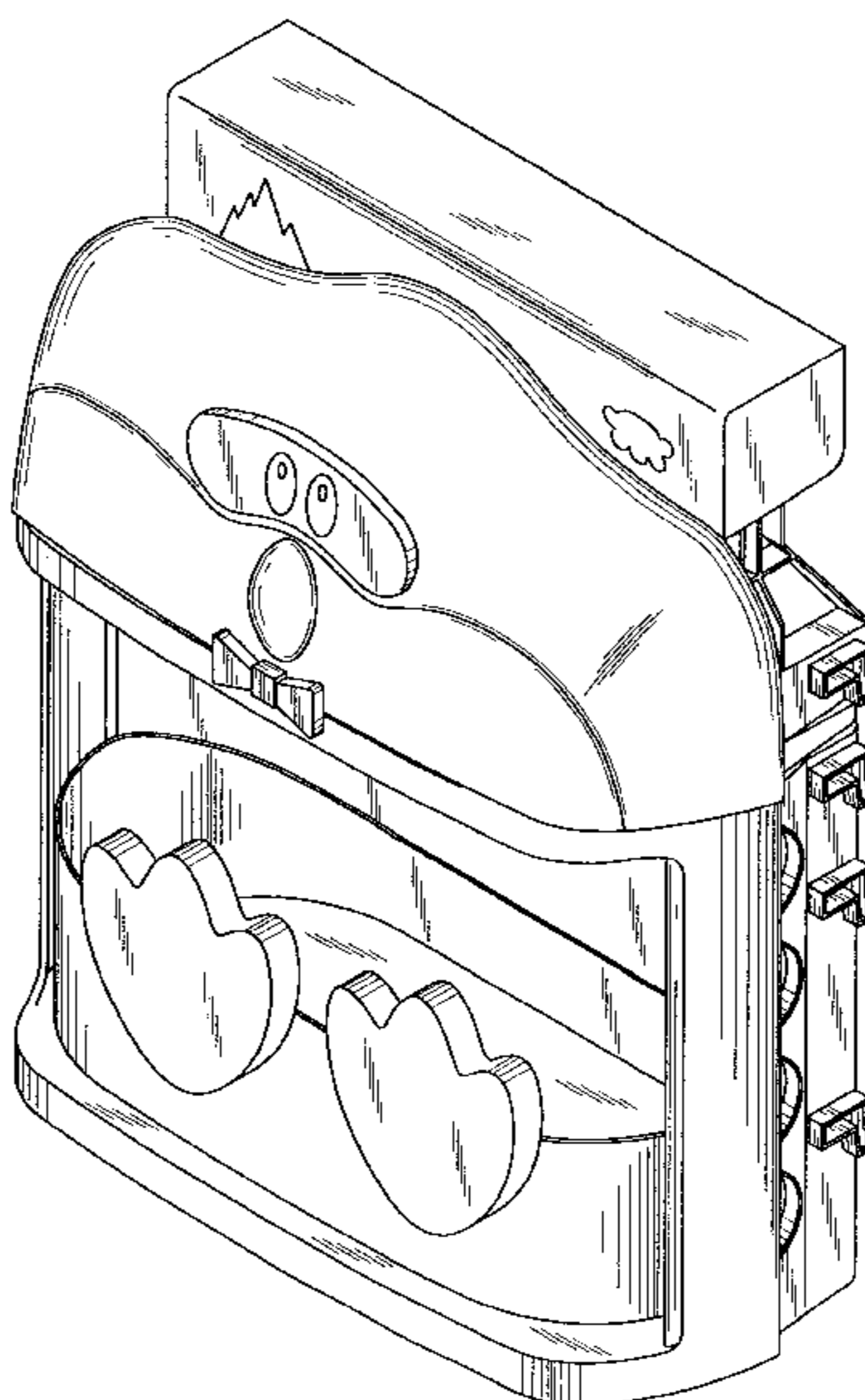


FIG. 1

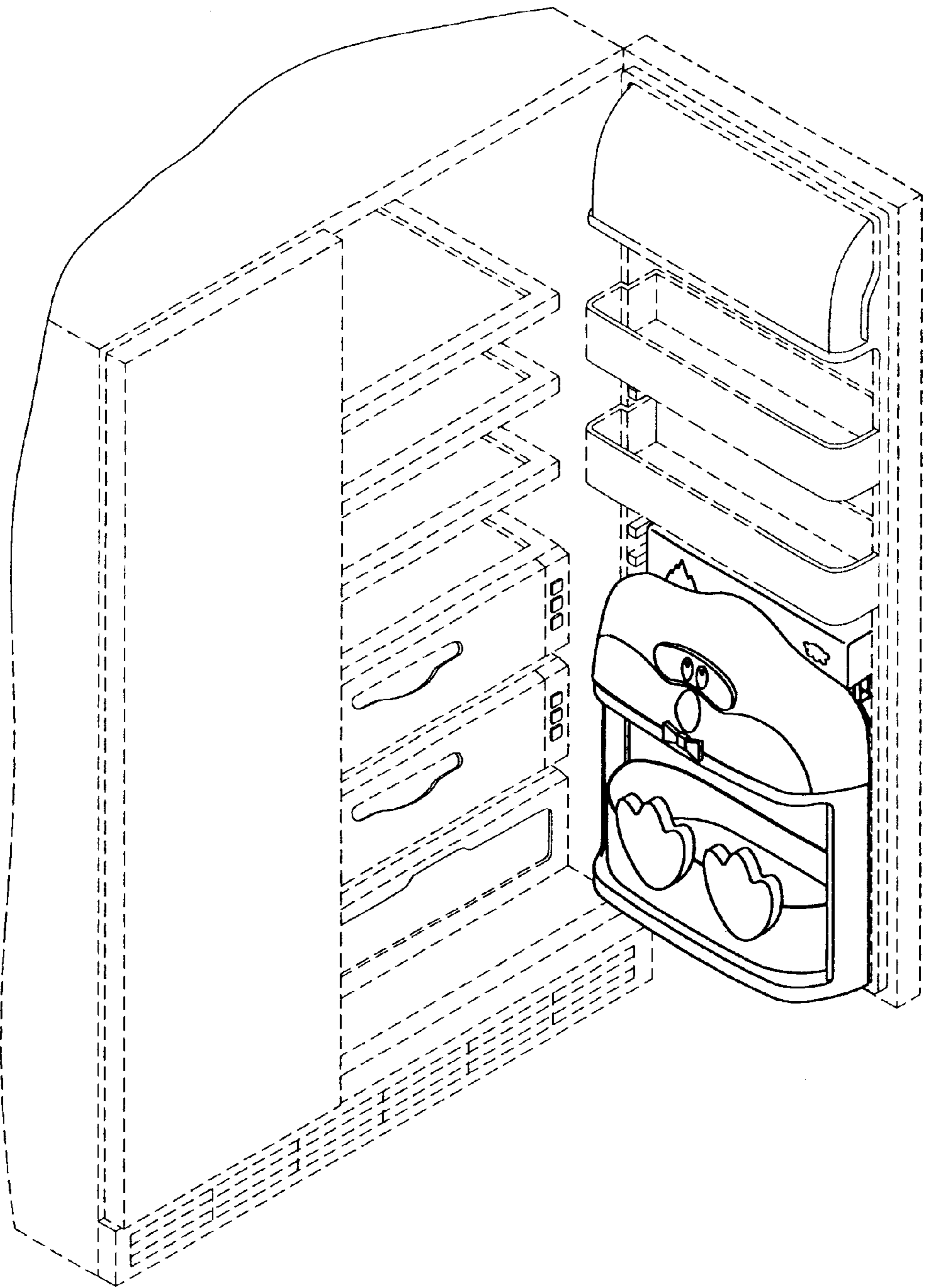


FIG. 2

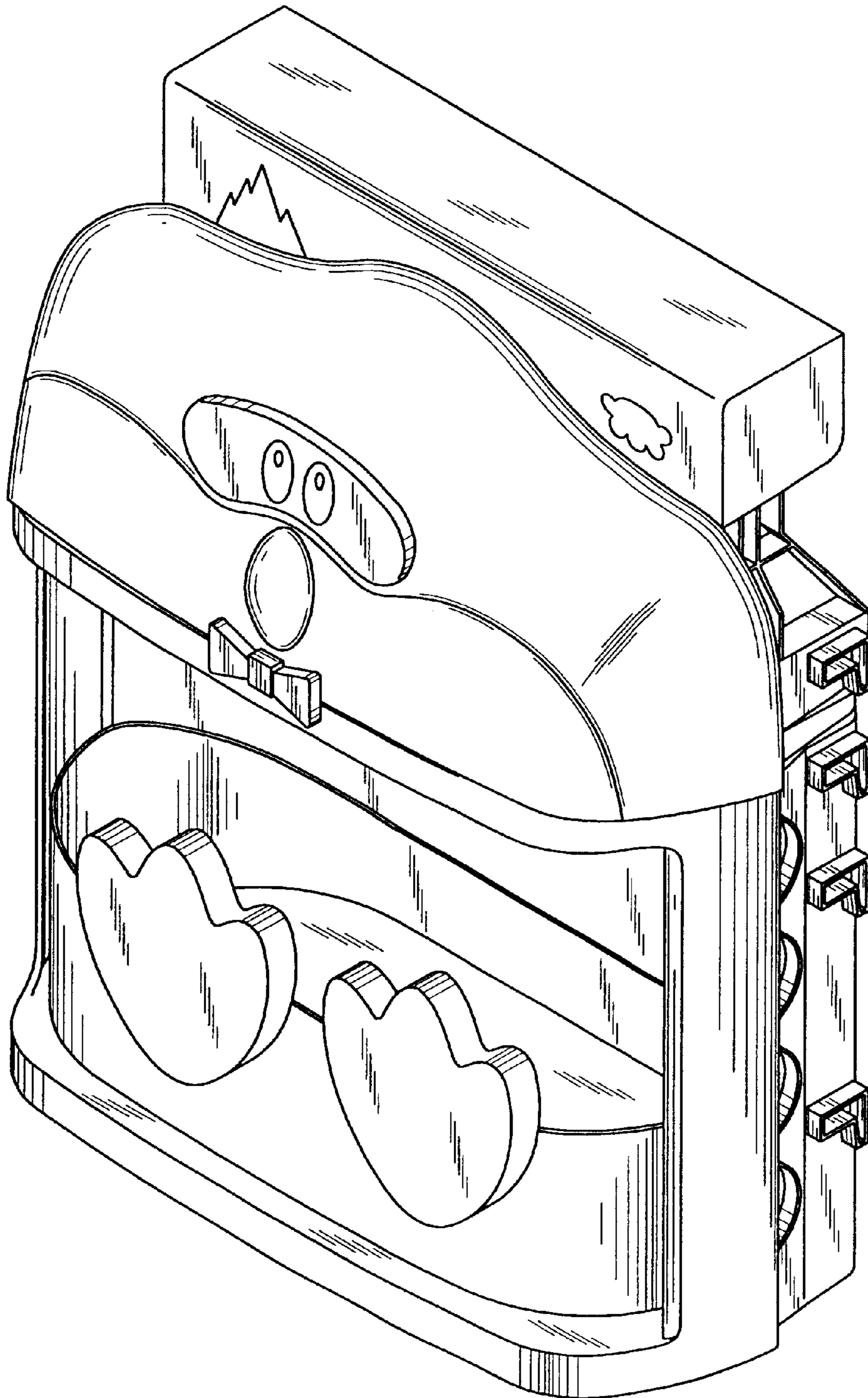


FIG. 3

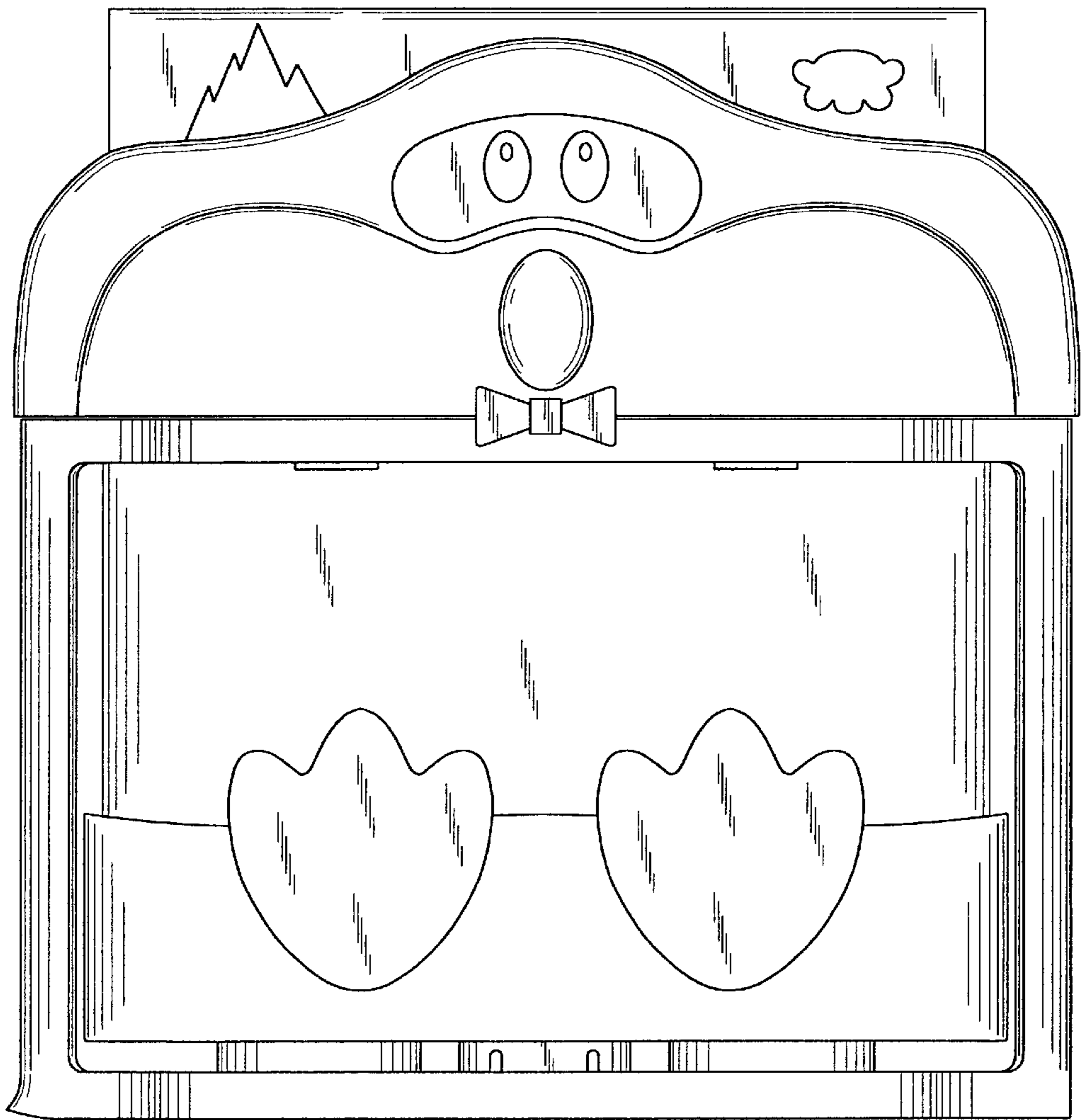


FIG. 4

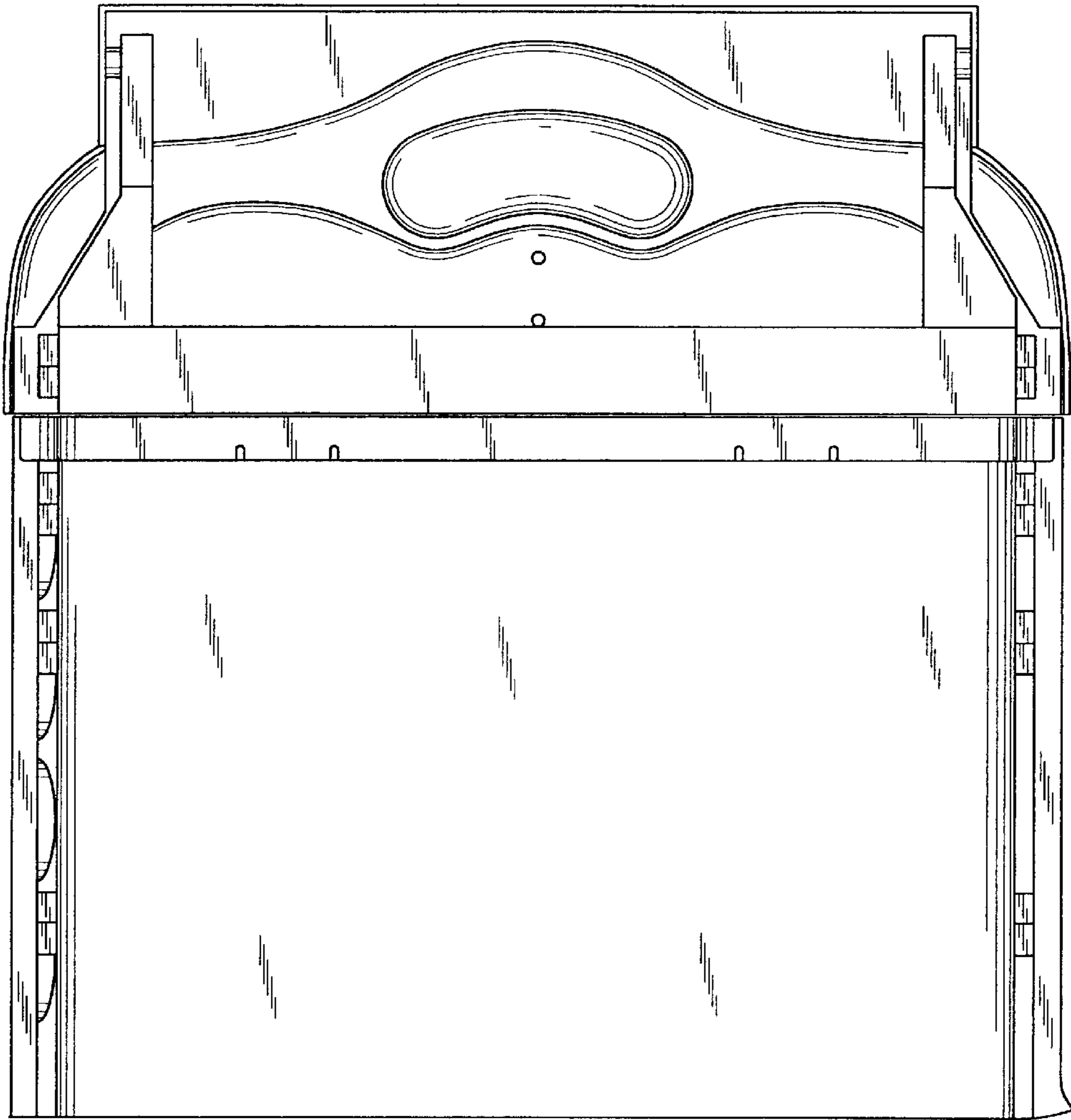


FIG. 5

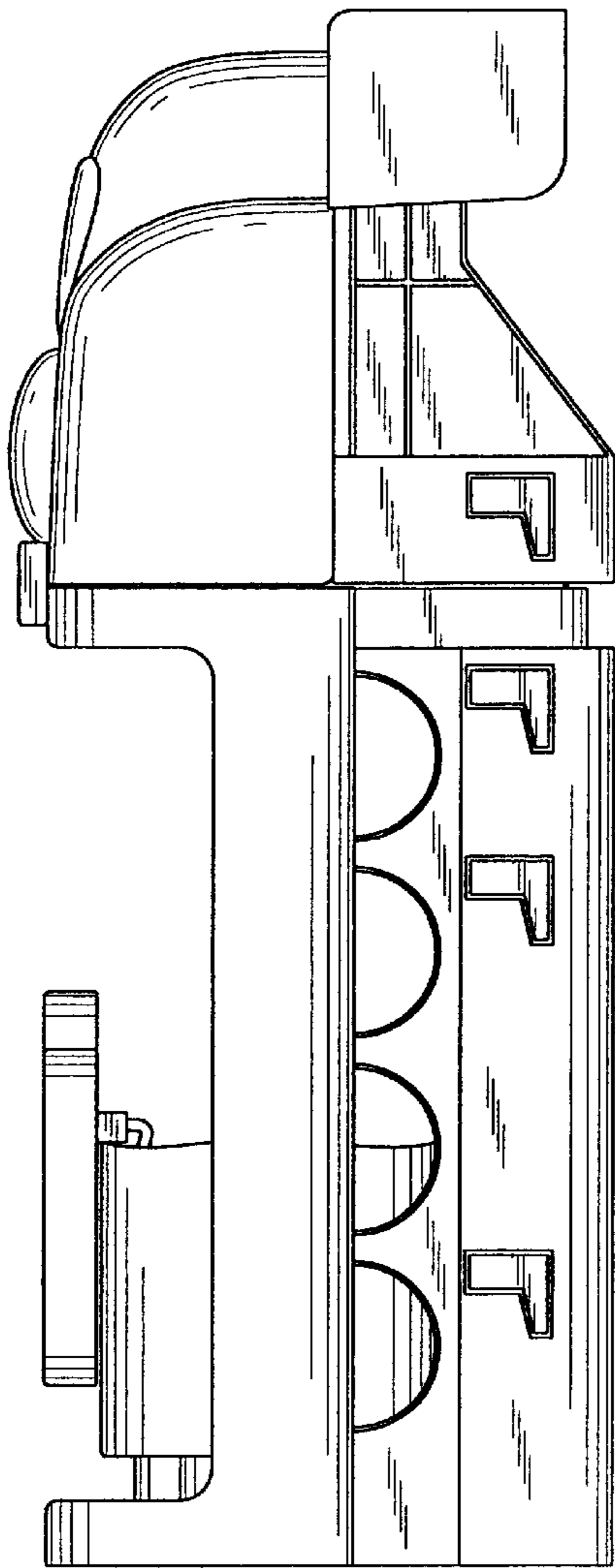


FIG. 6

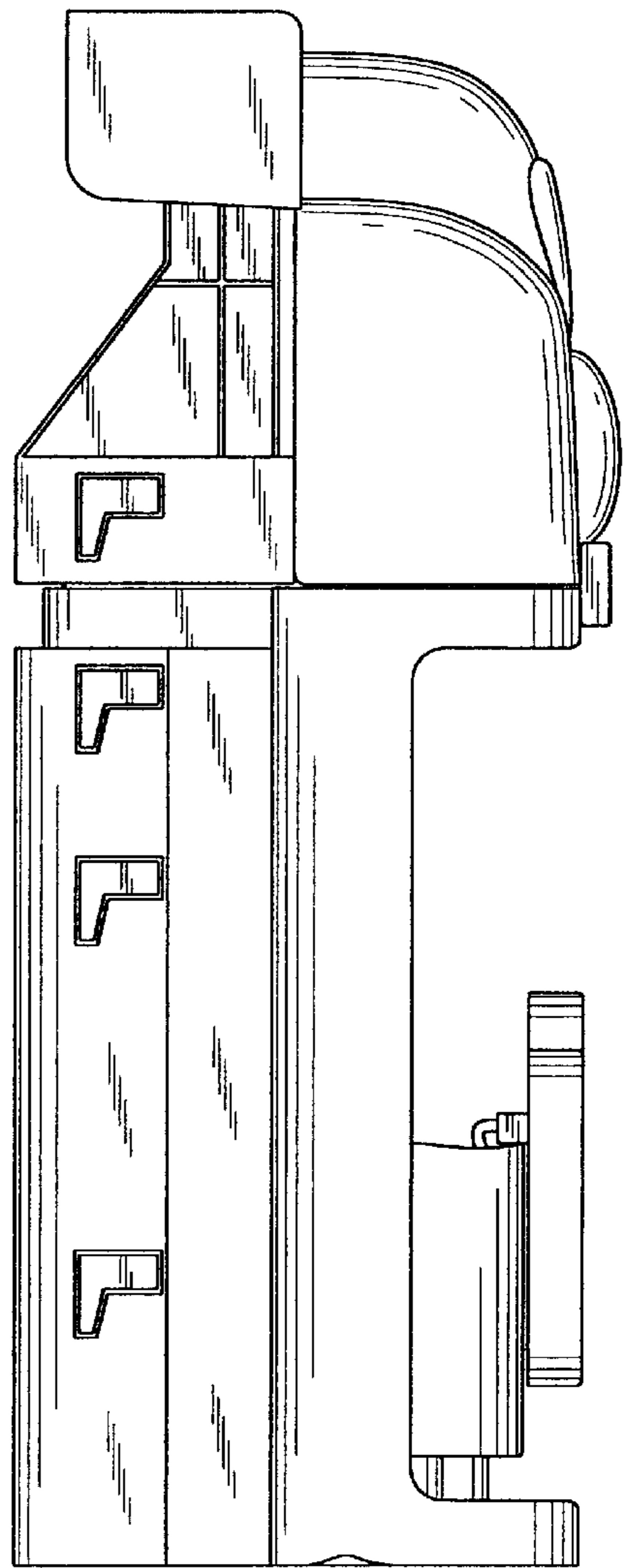


FIG. 7

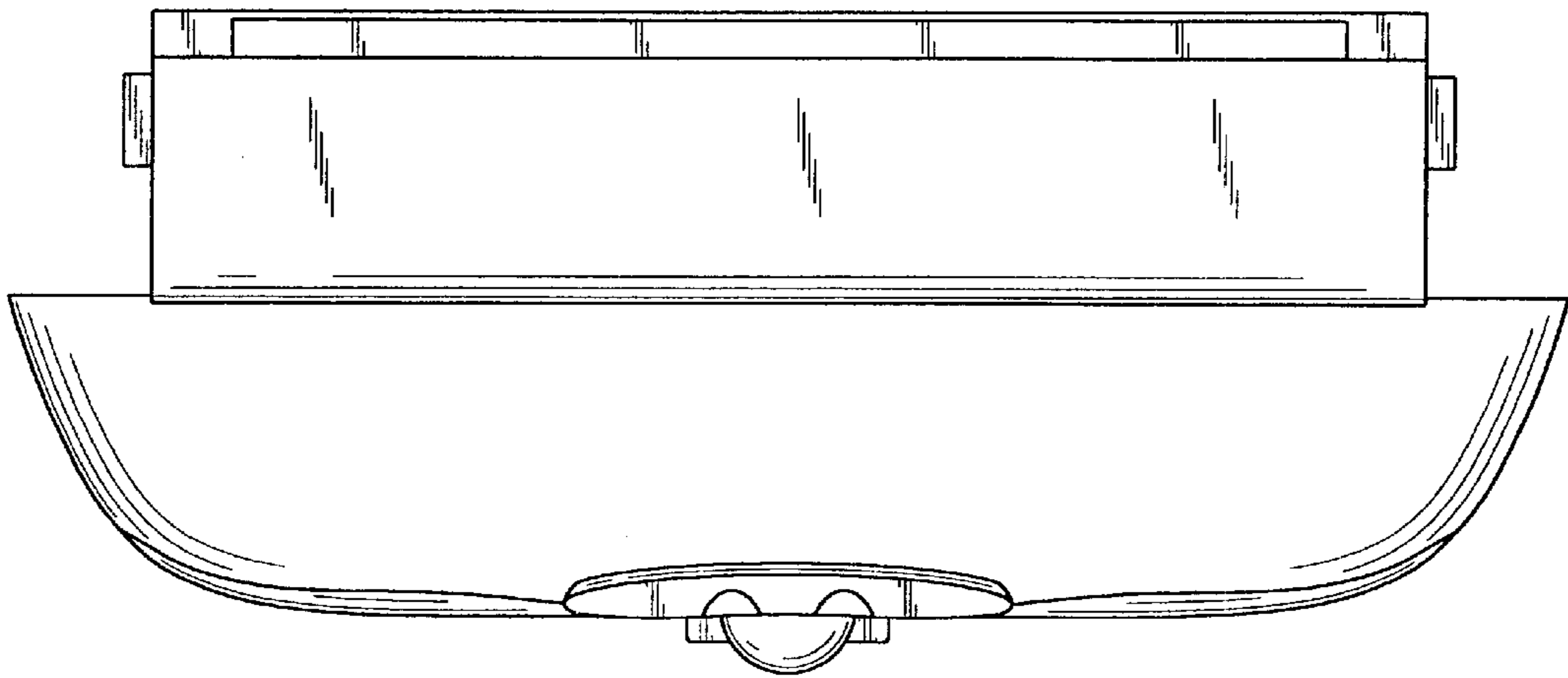


FIG. 8

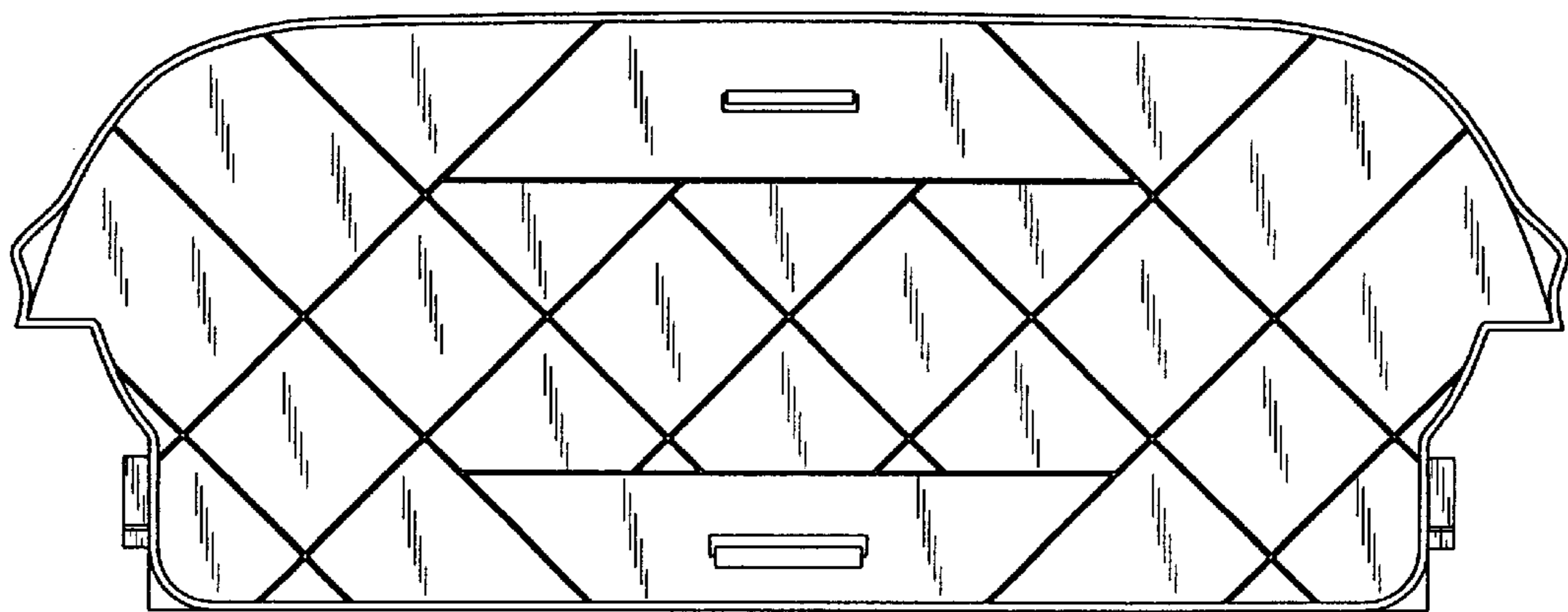


FIG. 9

