



US00D474484S

(12) **United States Design Patent**  
**Kim**

(10) **Patent No.:** **US D474,484 S**

(45) **Date of Patent:** **\*\* May 13, 2003**

(54) **ROTATION TYPE HOLDER OF FOOD FOR REFRIGERATOR**

5,056,332 A \* 10/1991 Tajima et al. .... 62/252  
5,549,373 A \* 8/1996 Bustos ..... 312/135

(75) Inventor: **Chang-Ho Kim**, Incheon (KR)

\* cited by examiner

(73) Assignee: **Hana Cobi Co., Ltd.**, Incheon (KR)

*Primary Examiner*—Mitchell Siegel  
(74) *Attorney, Agent, or Firm*—Birch, Stewart, Kolasch & Birch, LLP

(\*\*) Term: **14 Years**

(21) Appl. No.: **29/157,346**

(22) Filed: **Mar. 19, 2002**

(30) **Foreign Application Priority Data**

Feb. 5, 2002 (KR) ..... 02-3545

(51) **LOC (7) Cl.** ..... **15-07**

(52) **U.S. Cl.** ..... **D15/89**

(58) **Field of Search** ..... D15/89; D6/449;  
211/131, 78, 144, 163; 108/94; 62/252,  
441; 312/408, 115, 236, 135, 125, 305,  
285

(56) **References Cited**

**U.S. PATENT DOCUMENTS**

4,030,608 A \* 6/1977 Howard ..... 211/131.1

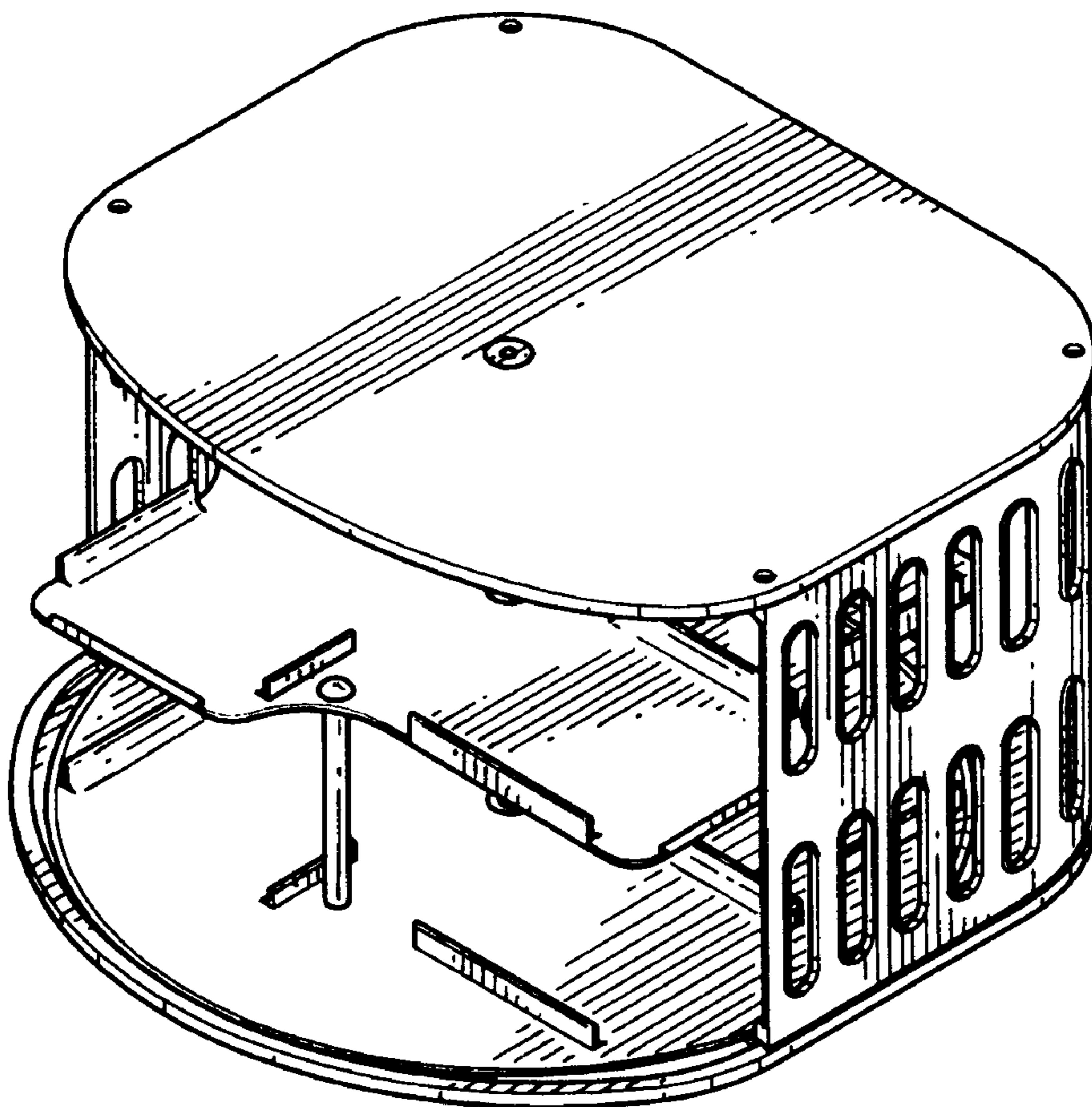
(57) **CLAIM**

The ornamental design for an rotation type holder of food for refrigerator, substantially as shown and described.

**DESCRIPTION**

FIG. 1 is a perspective view of the rotation type holder of food for refrigerator according to the present invention;  
FIG. 2 is a front view thereof;  
FIG. 3 is a rear view thereof;  
FIG. 4 is a left side view thereof;  
FIG. 5 is a right side view thereof;  
FIG. 6 is a top plan view thereof; and,  
FIG. 7 is a bottom plan view thereof.

**1 Claim, 3 Drawing Sheets**



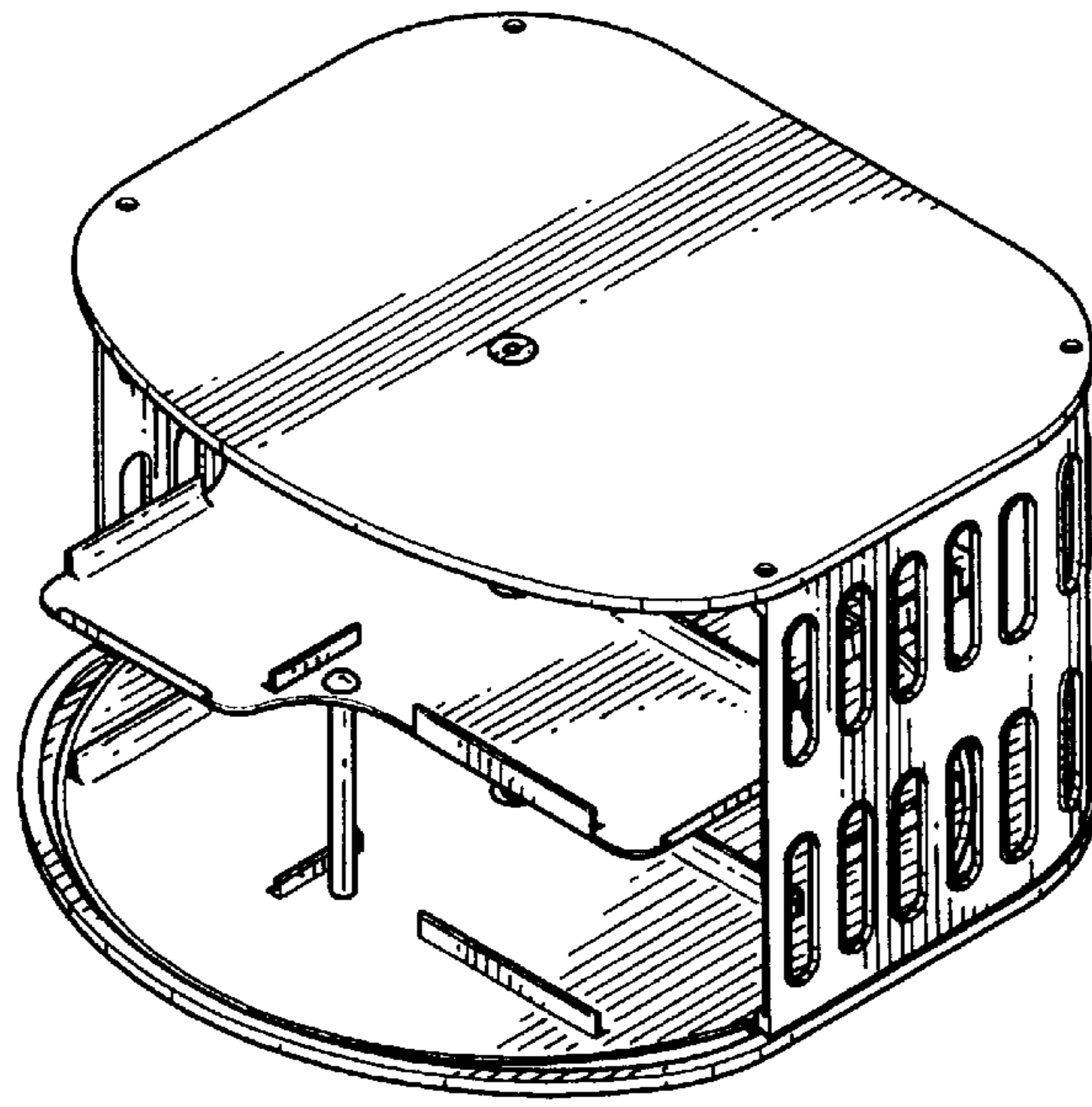


Fig. 1

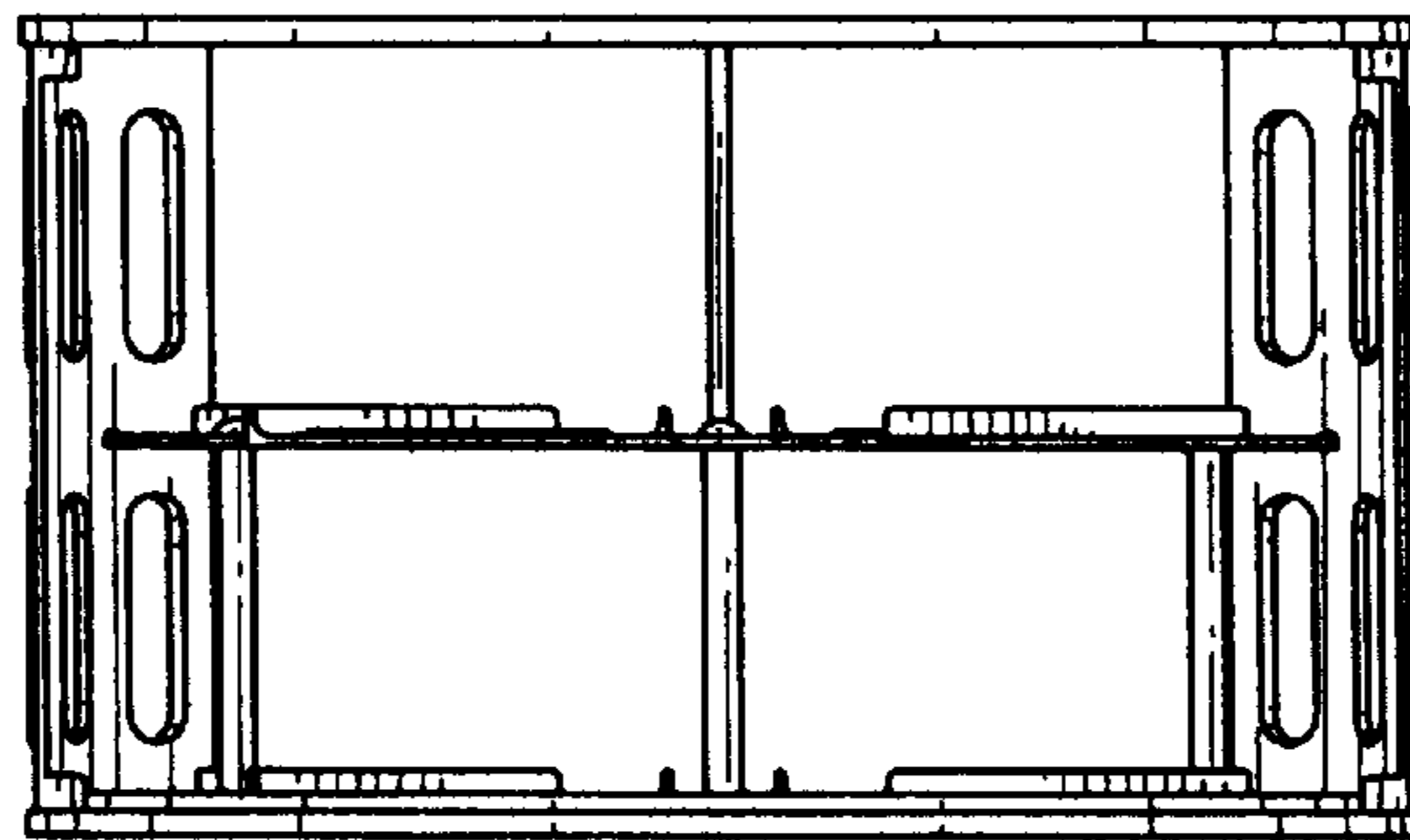


Fig. 2

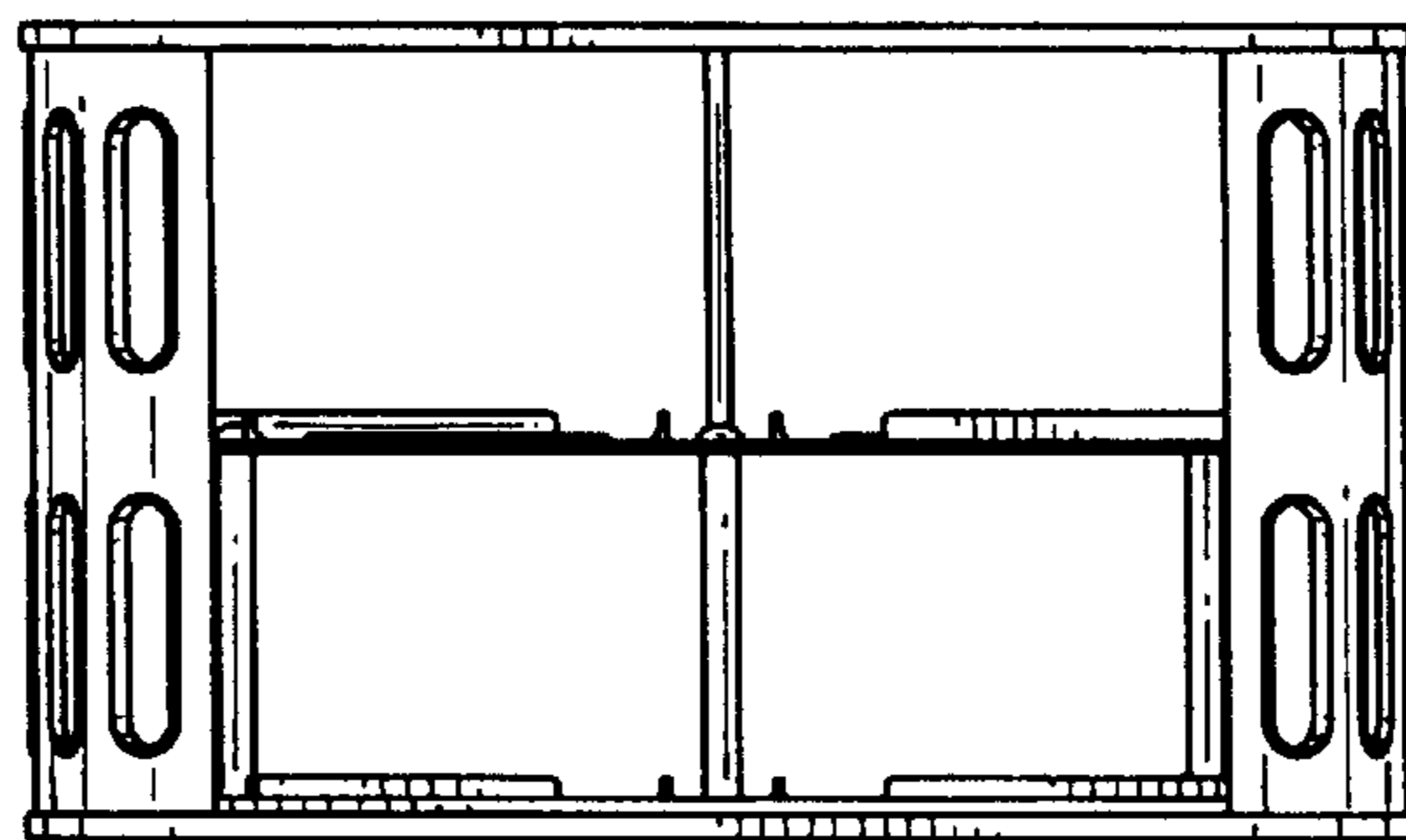


Fig. 3

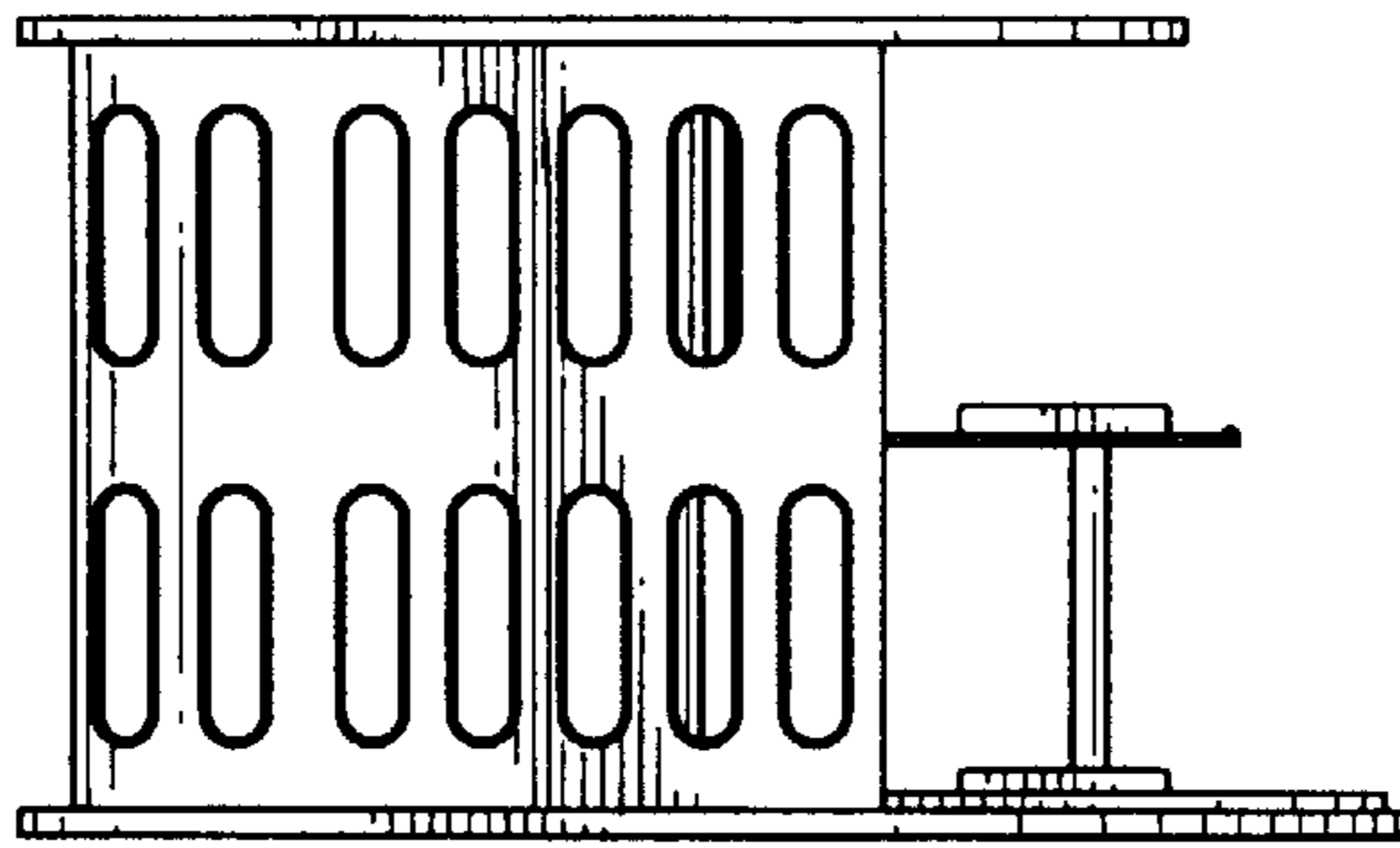


Fig. 4

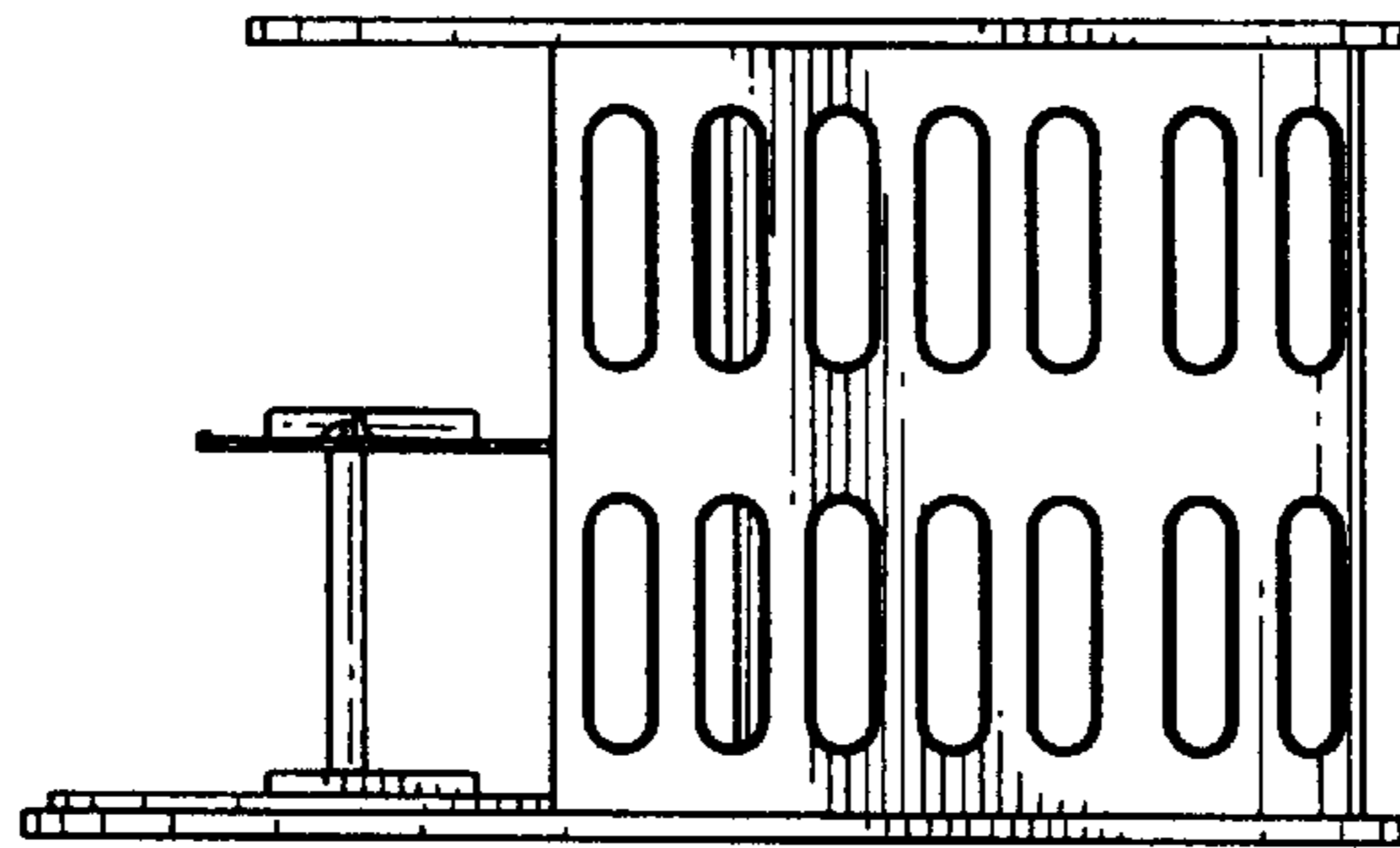


Fig. 5

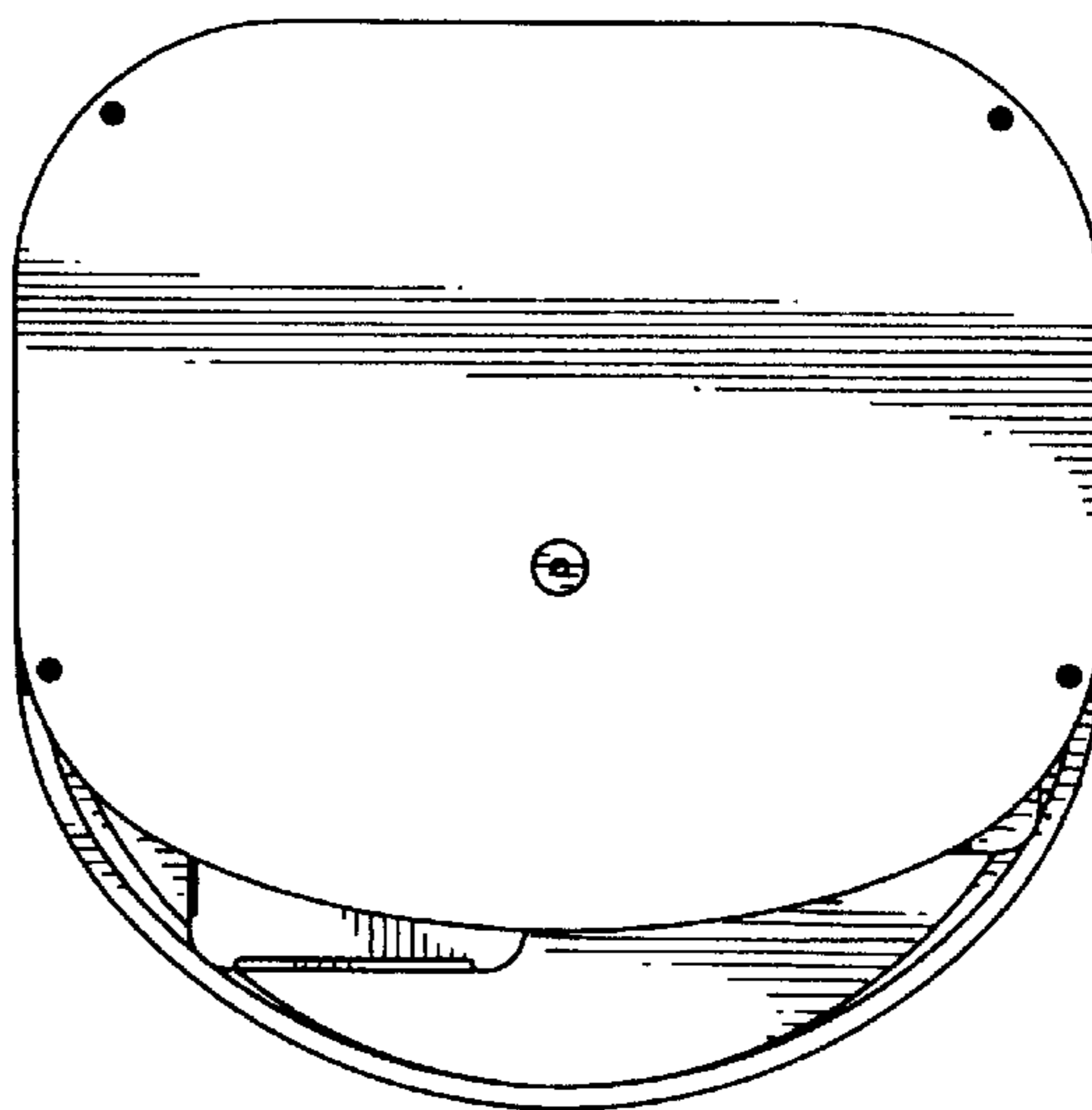


Fig. 6

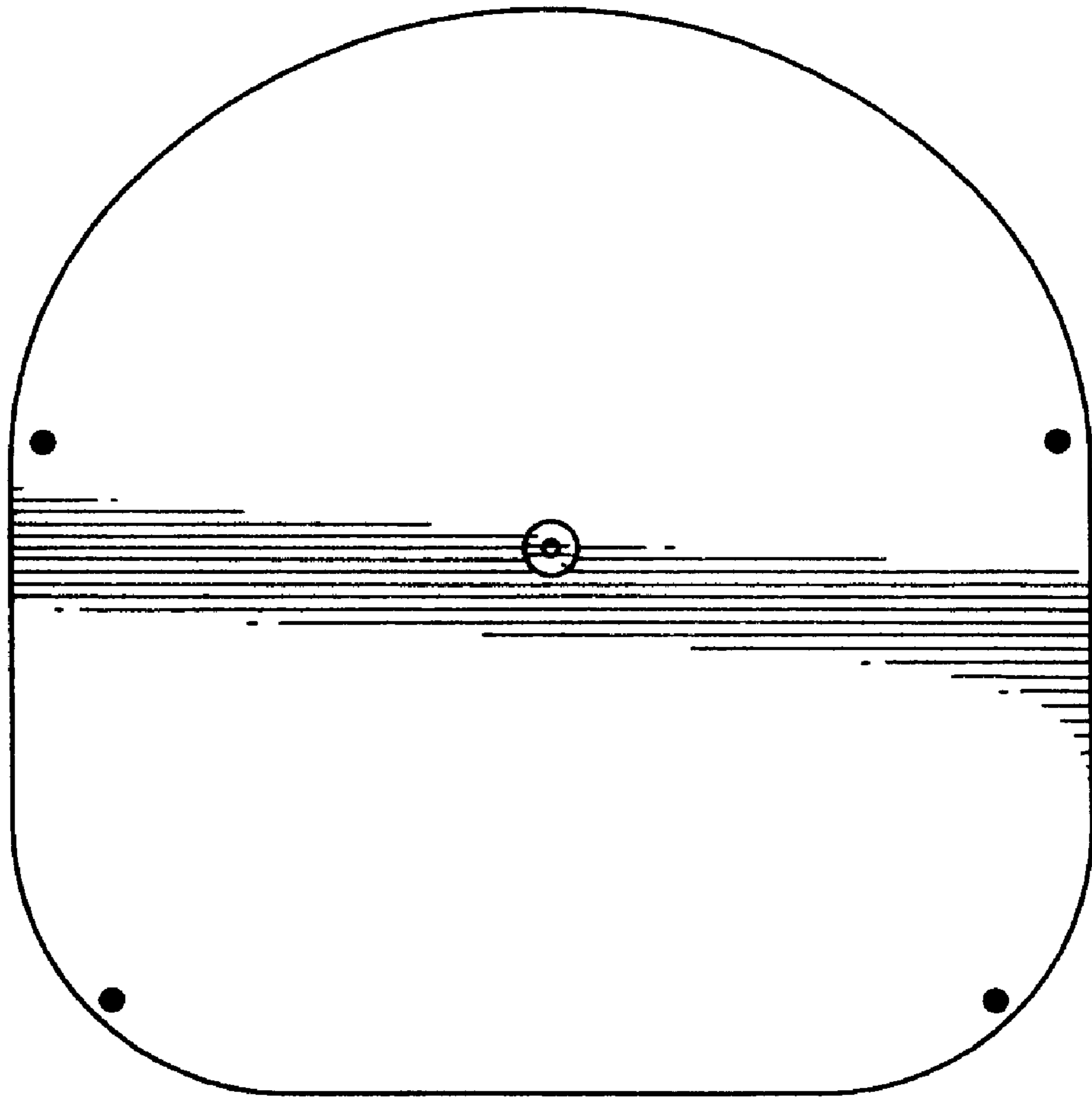


Fig.7