



US00D474482S

(12) **United States Design Patent**
Melzer-Müller

(10) **Patent No.:** **US D474,482 S**

(45) **Date of Patent:** **** May 13, 2003**

(54) **SEWING MACHINE**

(75) **Inventor:** **Sabina Melzer-Müller**, Kreuzlingen
(CH)

(73) **Assignee:** **Fritz Gegauf Aktiengesellschaft**,
Steckborn (CH)

(**) **Term:** **14 Years**

(21) **Appl. No.:** **29/151,786**

(22) **Filed:** **Oct. 19, 2001**

(51) **LOC (7) Cl.** **15-06**

(52) **U.S. Cl.** **D15/69**

(58) **Field of Search** D15/66, 69-71;
112/63, 258-261, 217.1-217.4; 312/208.6,
244, 285

(56) **References Cited**

U.S. PATENT DOCUMENTS

3,781,075	A	*	12/1973	Fresard	312/208
D233,483	S	*	10/1974	Hirasawa	D15/69
D283,029	S	*	3/1986	David	D15/69
D283,030	S	*	3/1986	David	D15/69
D300,745	S	*	4/1989	Baruffa	D15/69
D300,746	S	*	4/1989	Baruffa	D15/69
D404,403	S	*	1/1999	Uchida	D15/69
D442,608	S	*	5/2001	Ito	D15/69

* cited by examiner

Primary Examiner—Mitchell Siegel

(74) *Attorney, Agent, or Firm*—Volpe and Koenig, P.C.

(57) **CLAIM**

The ornamental design for sewing machine, as shown and described.

DESCRIPTION

FIG. 1 is a perspective view of a sewing machine according to my new design;

FIG. 2 is a perspective view from a different angle of the sewing machine of FIG. 1;

FIG. 3 is a perspective view from a reverse angle of the sewing machine of FIG. 1;

FIG. 4 is a perspective view from a different reverse angle of the sewing machine of FIG. 1;

FIG. 5 is a front elevational view of the sewing machine of FIG. 1;

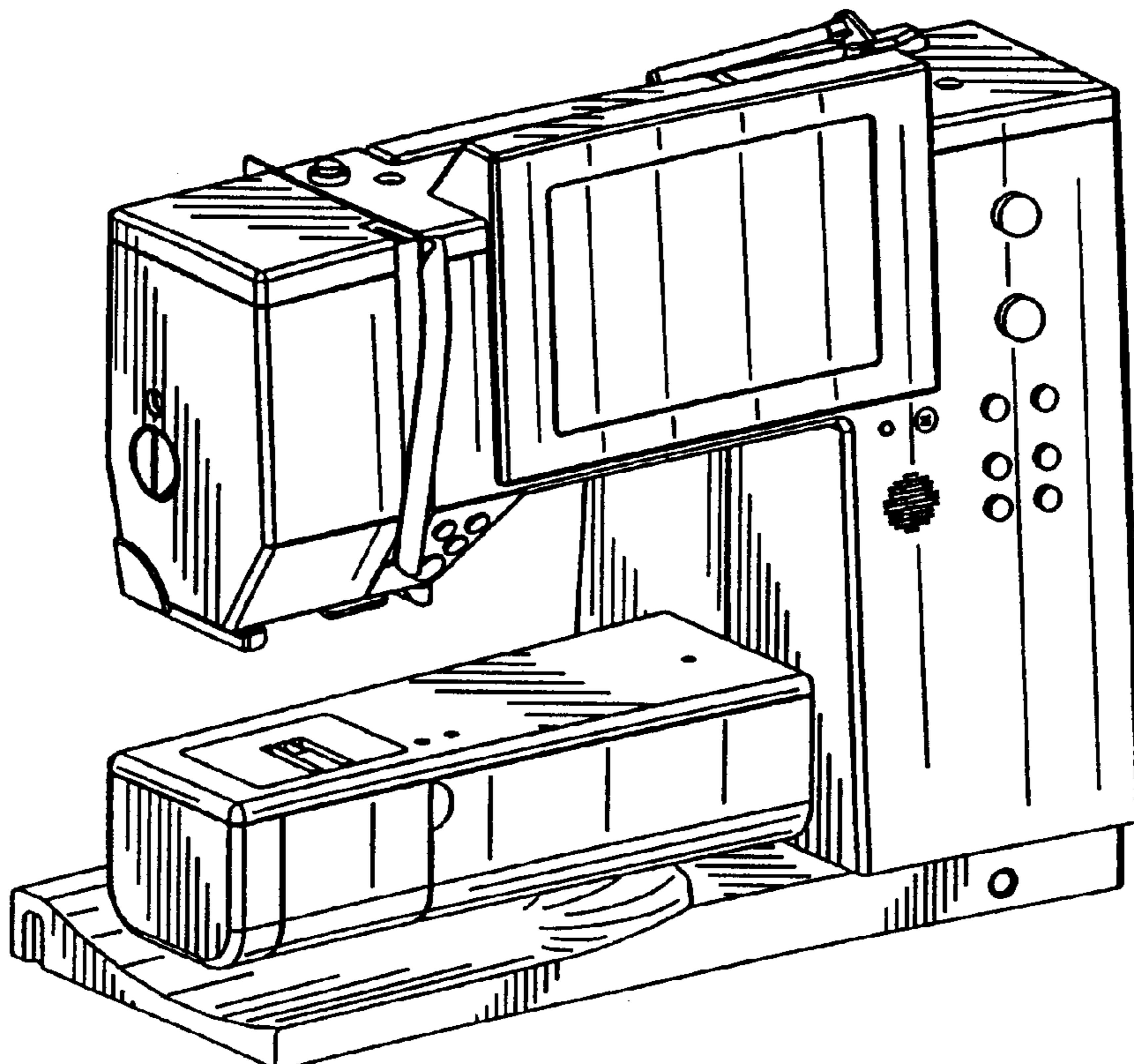
FIG. 6 is a top plan view of the sewing machine of FIG. 1; FIG. 7 is a back elevational view of the sewing machine of FIG. 1;

FIG. 8 is a bottom plan view of the sewing machine of FIG. 1.

FIG. 9 is a left-side elevational view of the sewing machine of FIG. 1; and,

FIG. 10 is a right-side elevational view of the sewing machine of FIG. 1.

1 Claim, 5 Drawing Sheets



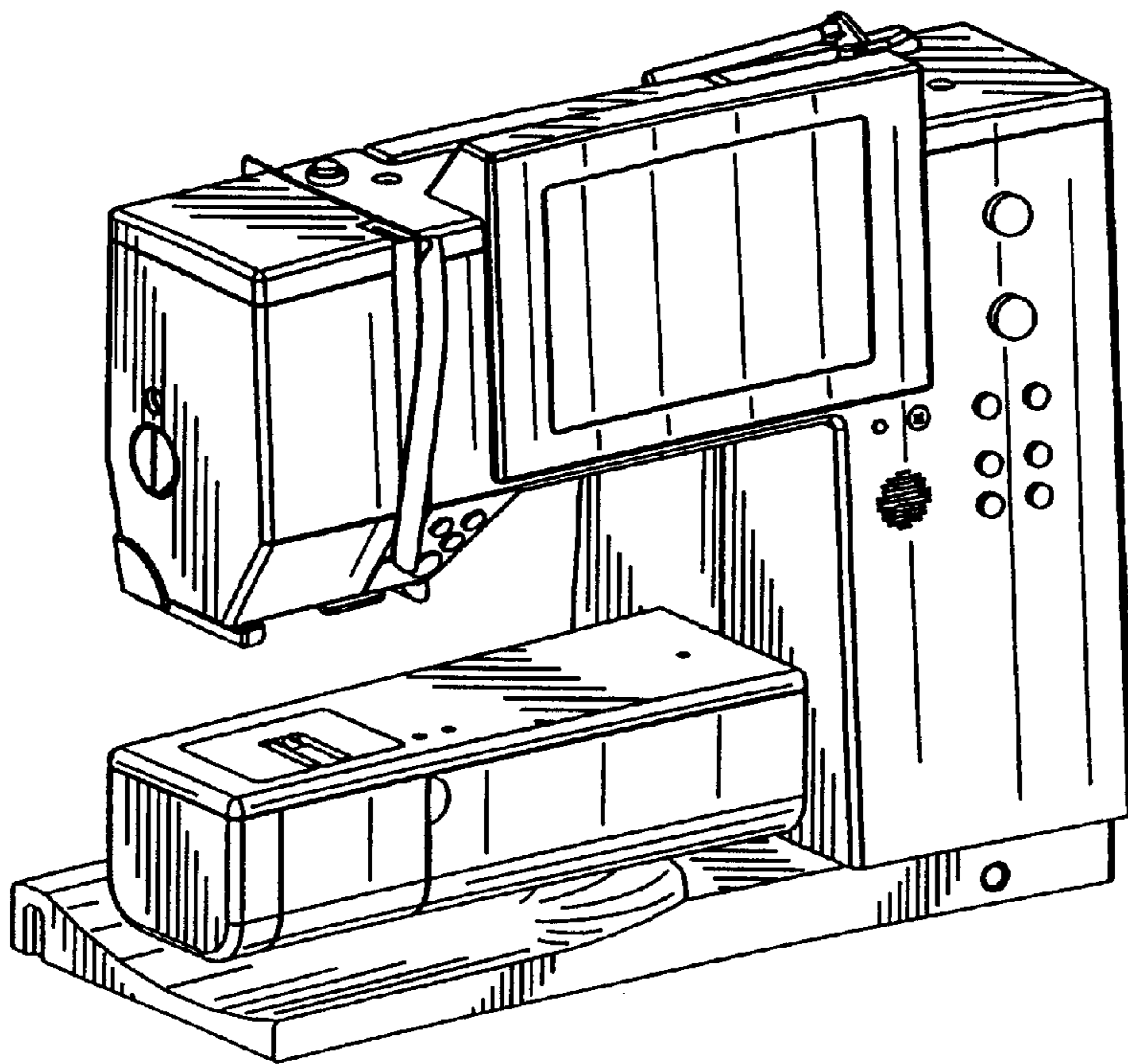


FIG. 1

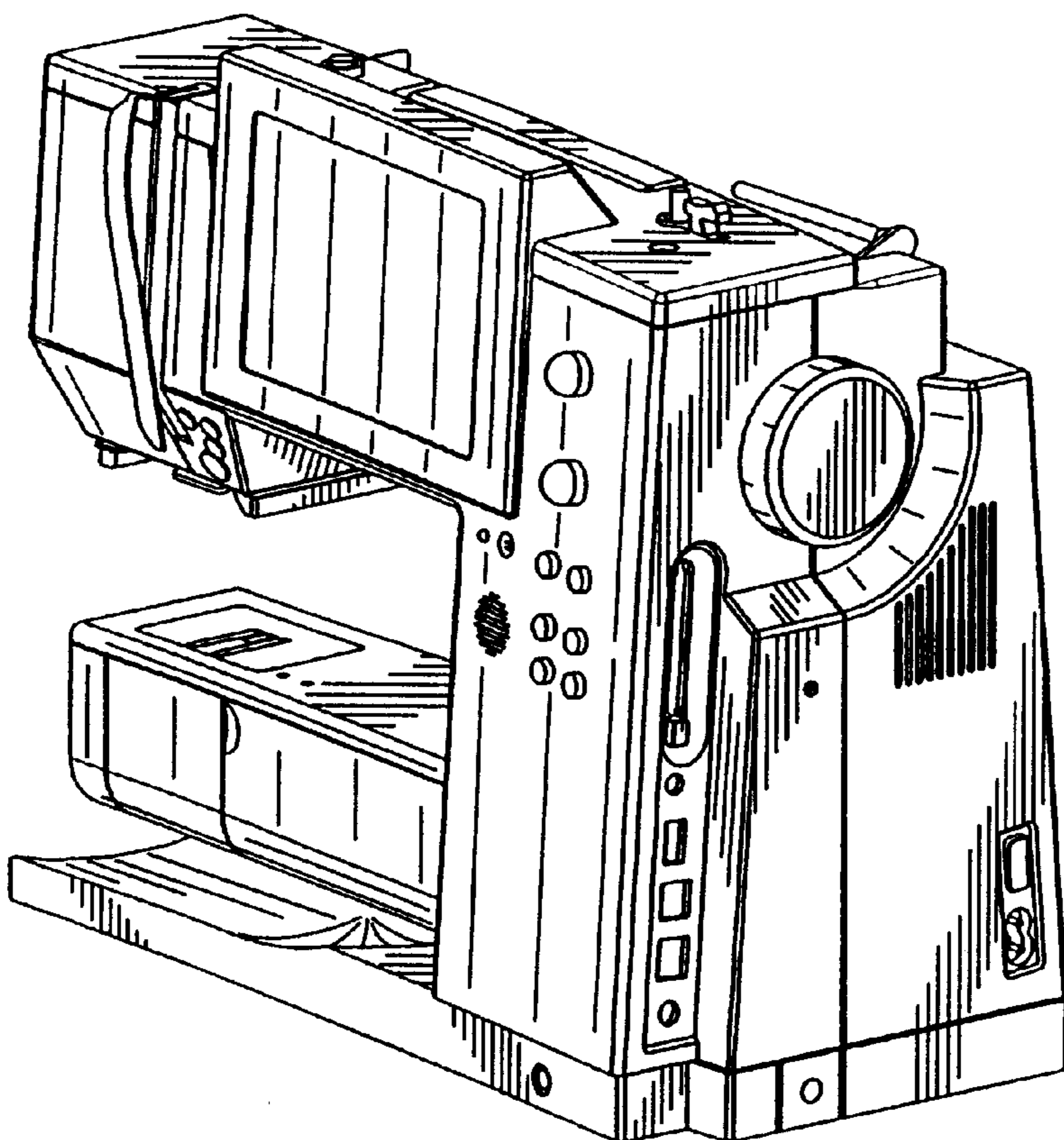


FIG. 2

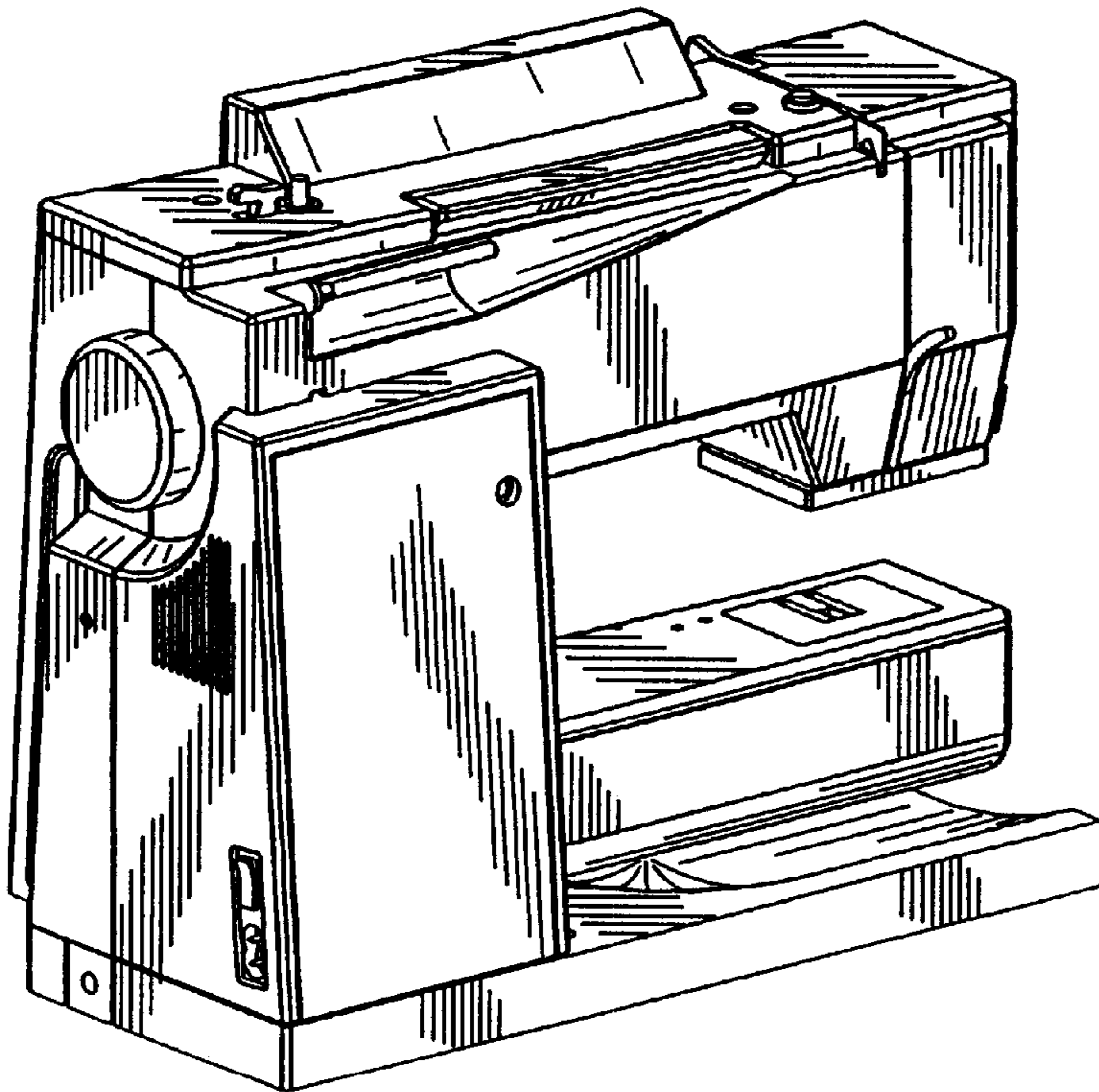


FIG. 3

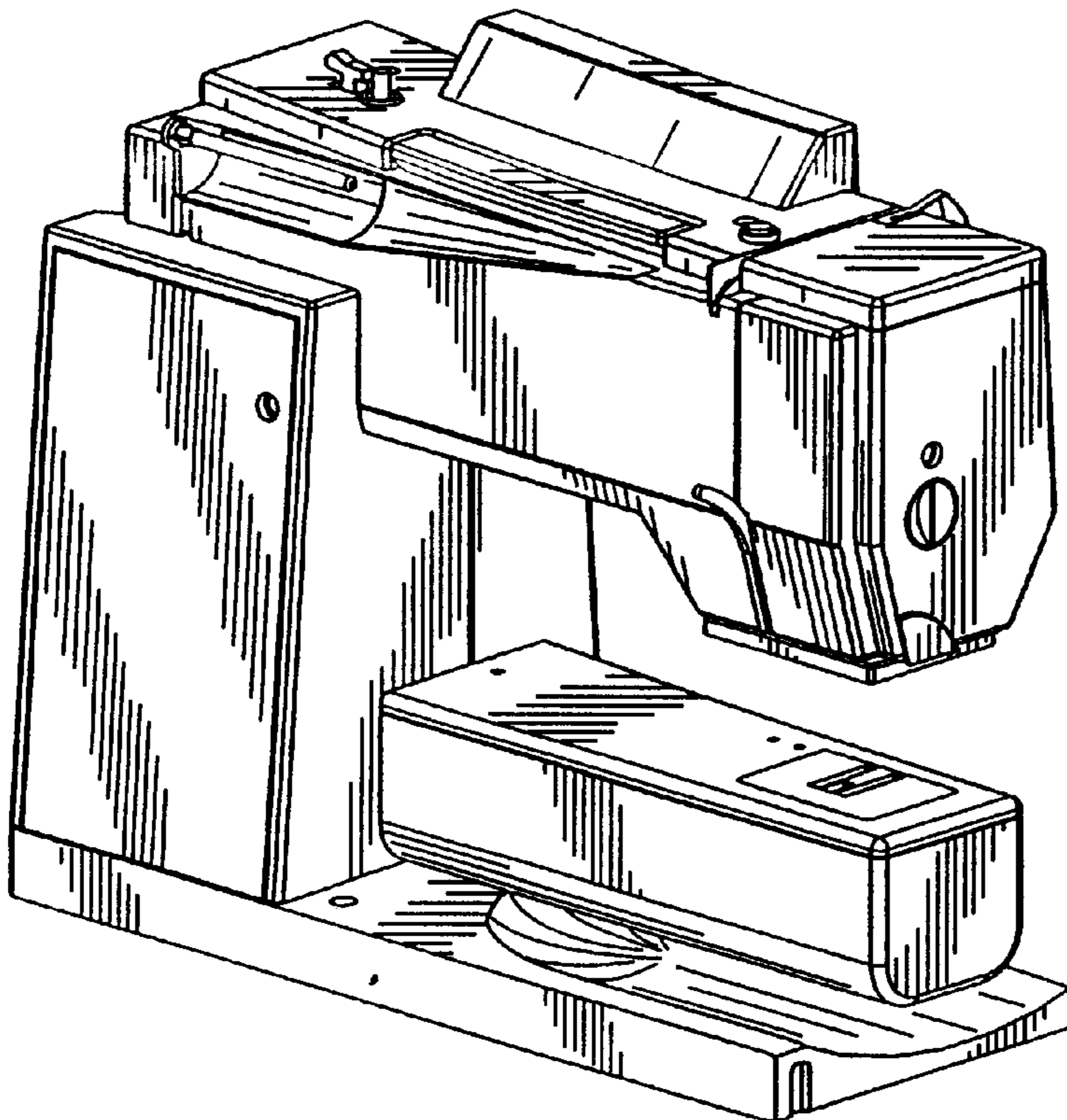


FIG. 4

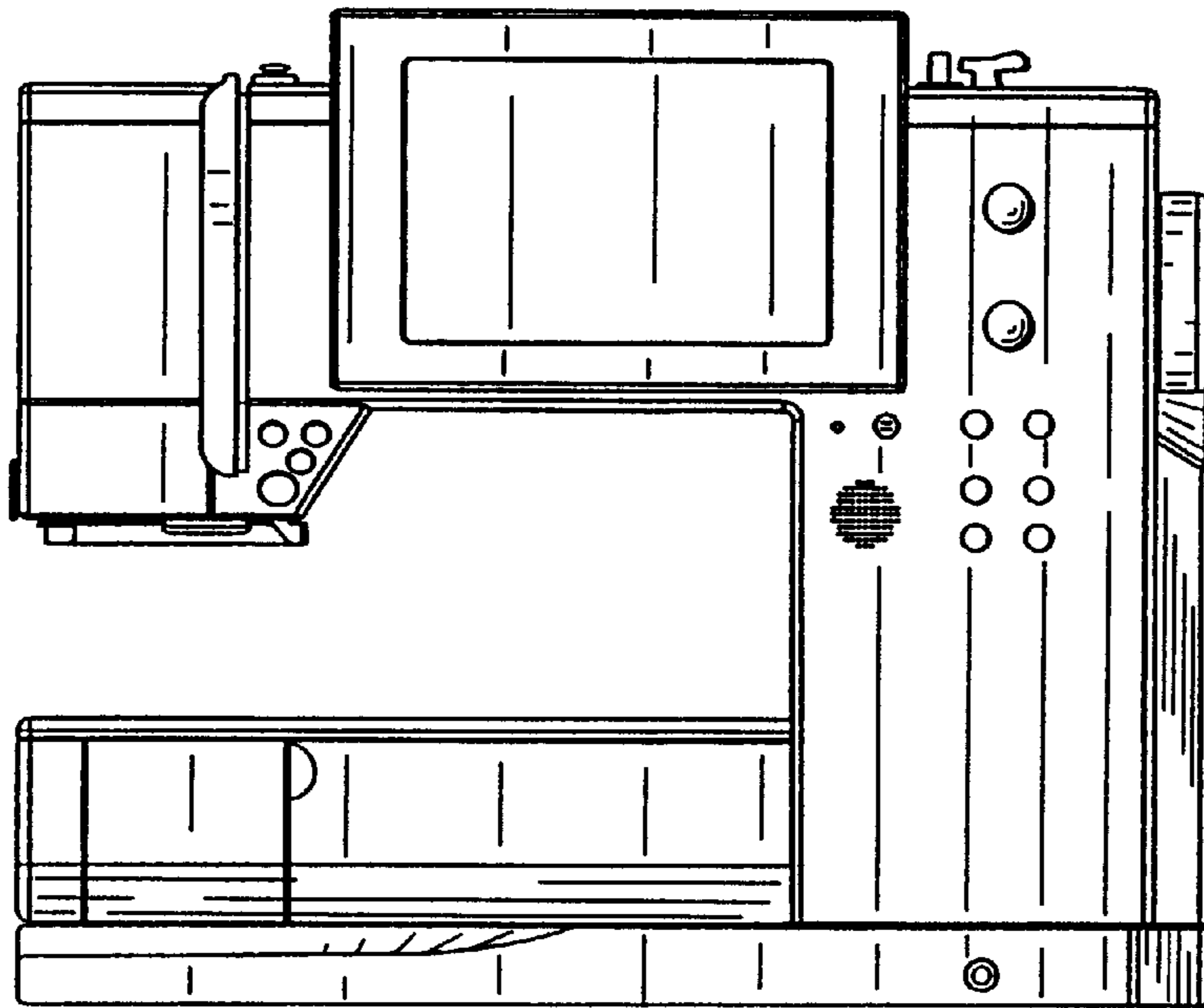


FIG. 5

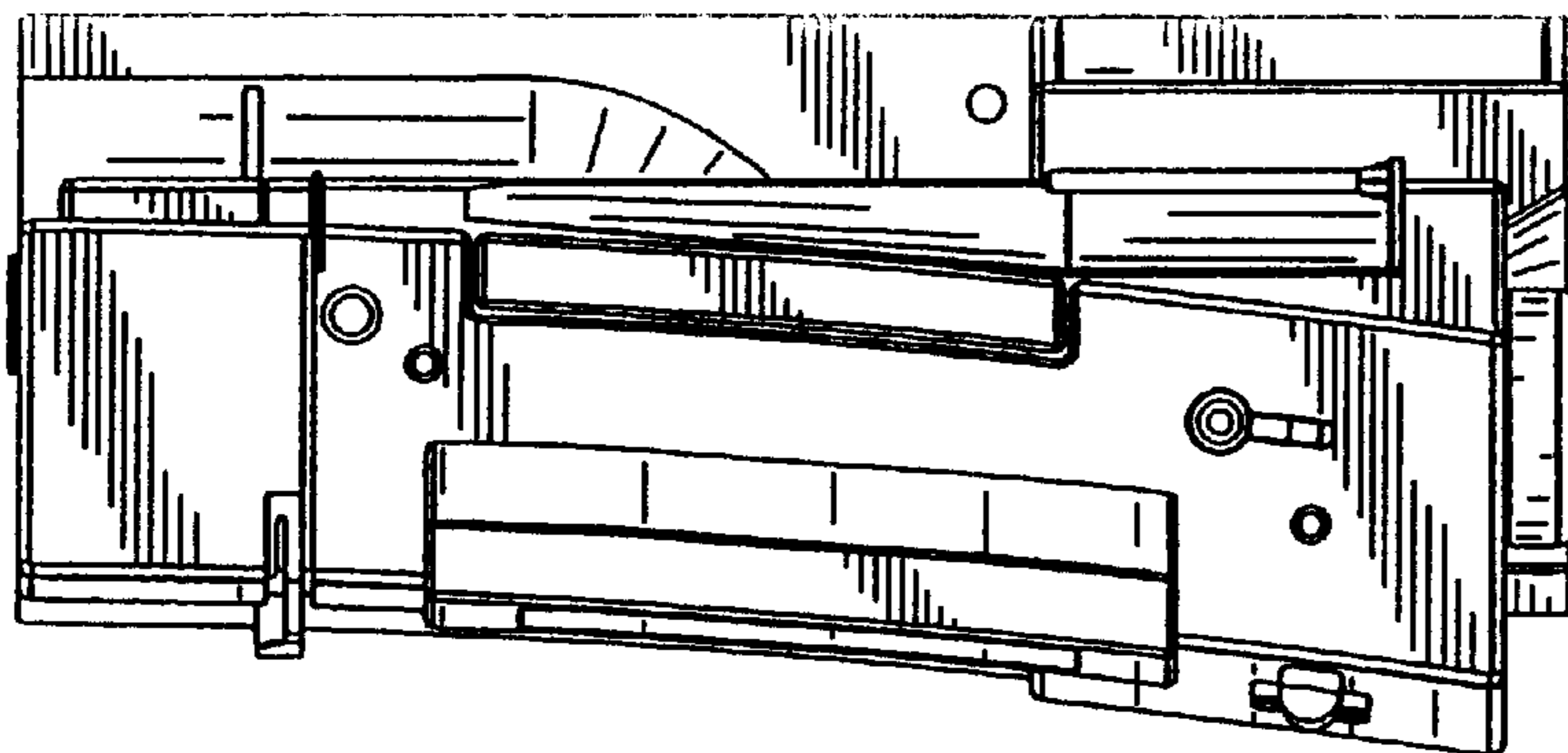


FIG. 6

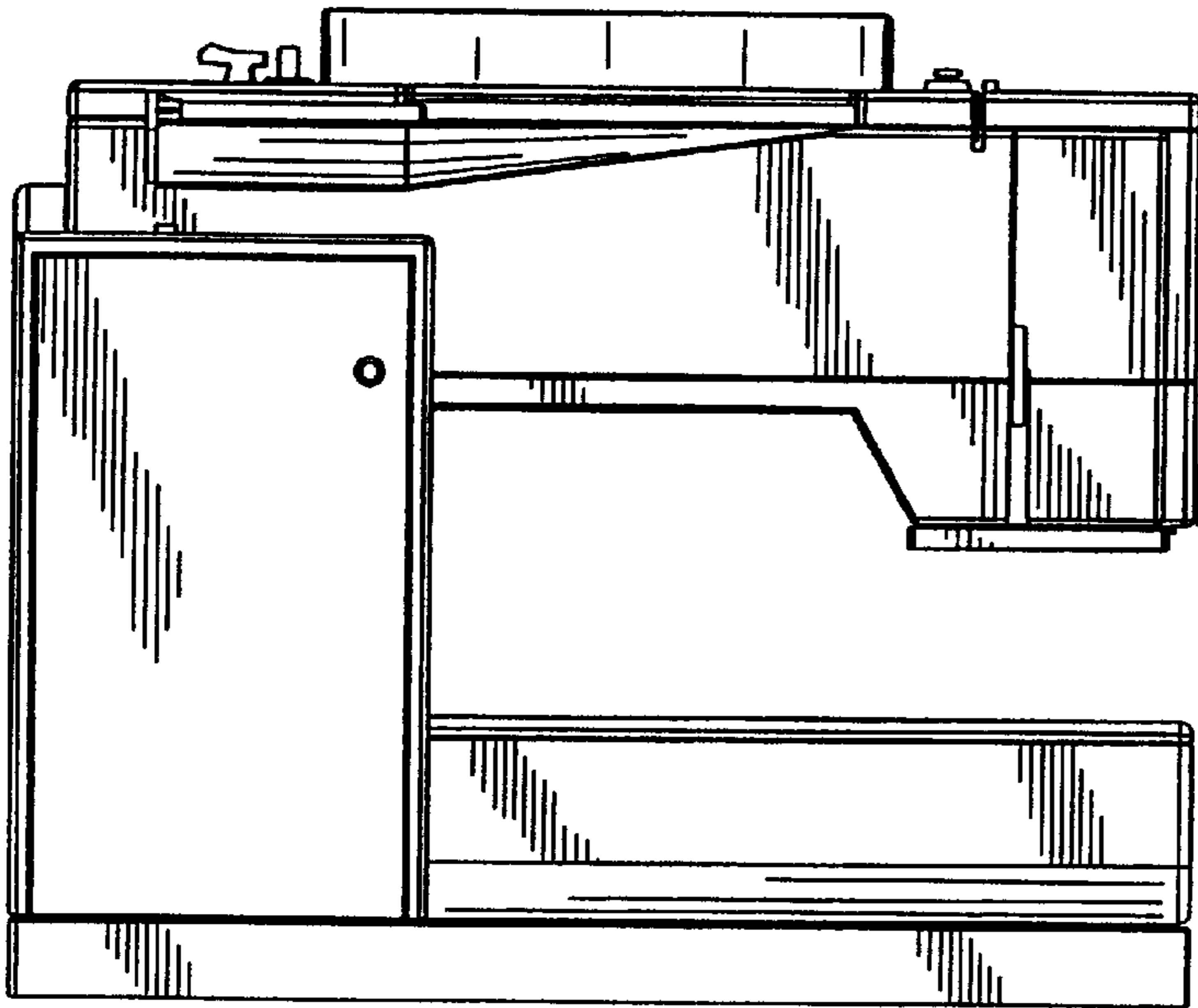


FIG. 7

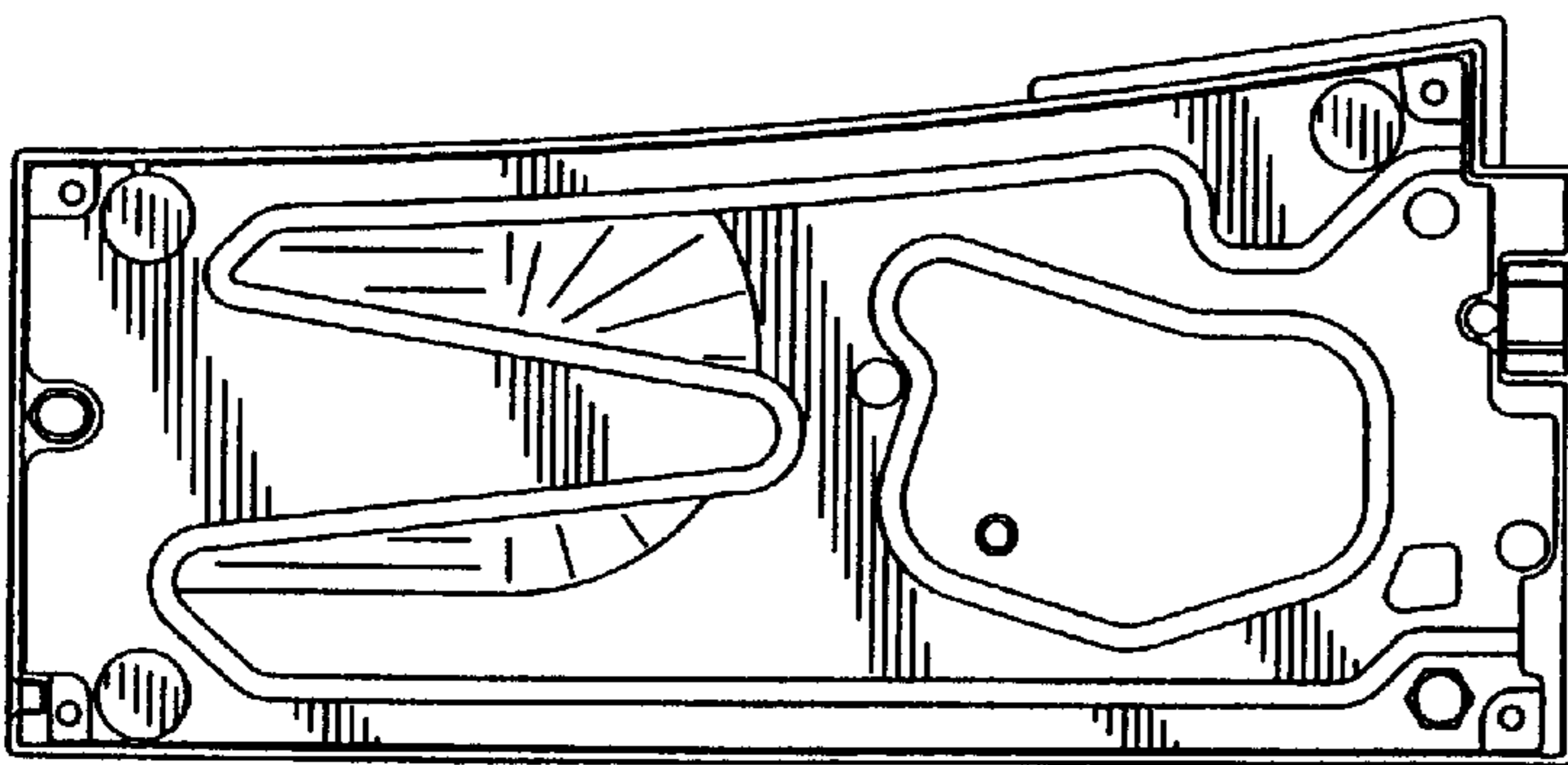


FIG. 8

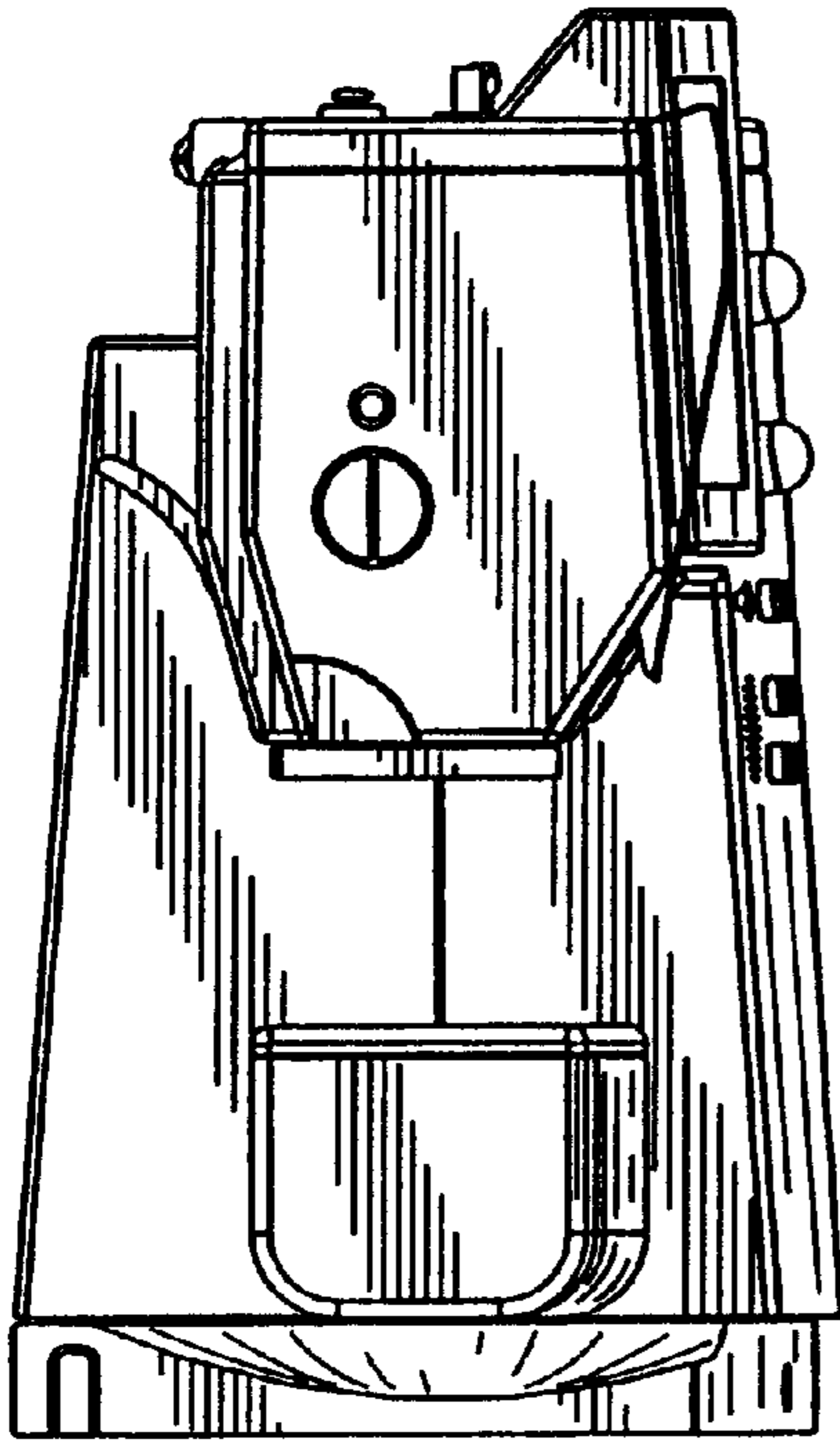


FIG. 9

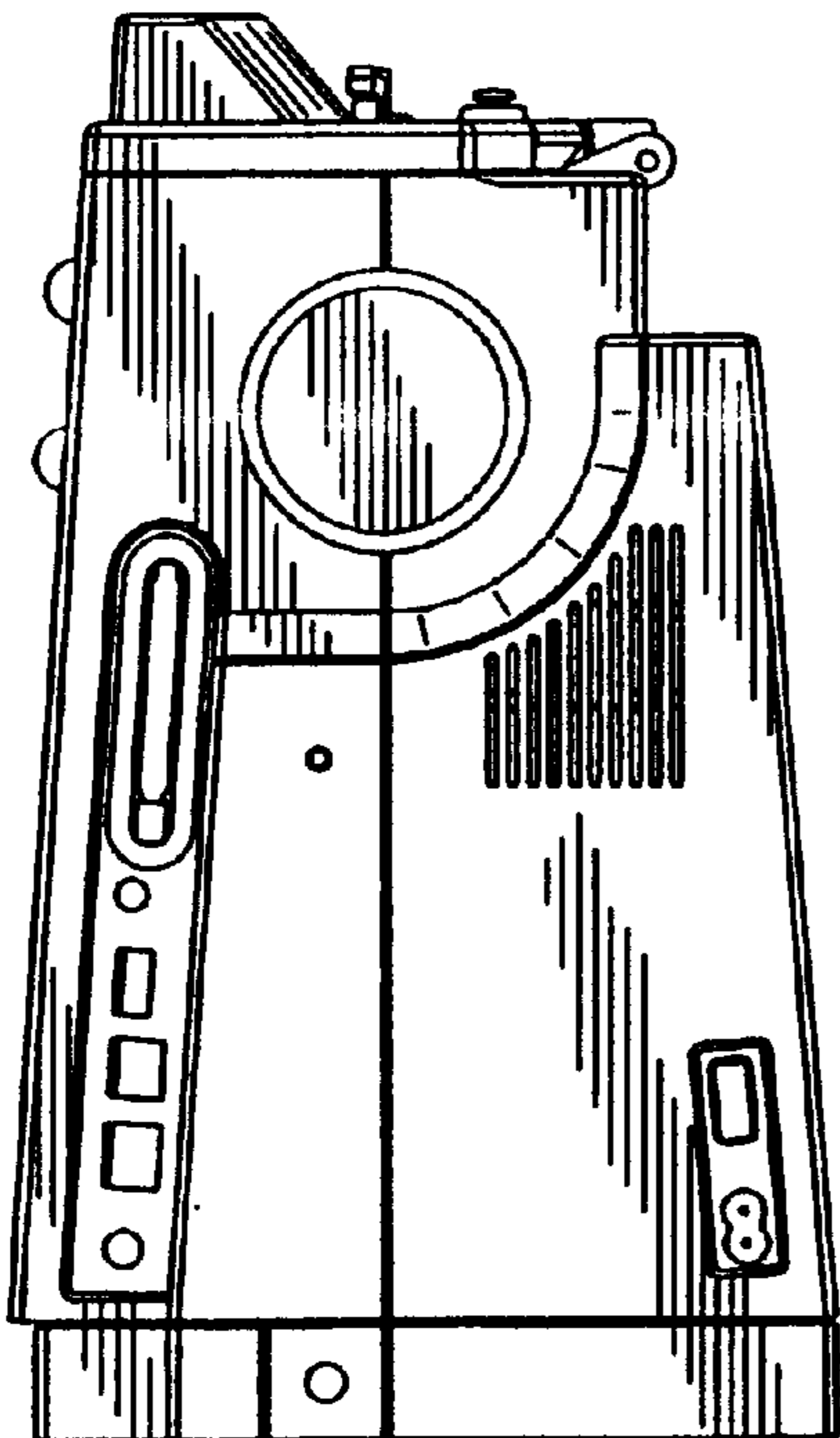


FIG. 10