



US00D474481S

(12) **United States Design Patent**
Hara

(10) **Patent No.:** **US D474,481 S**

(45) **Date of Patent:** **** May 13, 2003**

(54) **BACKHOE**

(75) Inventor: **Keiichi Hara**, Sakai (JP)

(73) Assignee: **Kubota Corporation** (JP)

(**) Term: **14 Years**

(21) Appl. No.: **29/156,108**

(22) Filed: **Feb. 22, 2002**

(51) **LOC (7) Cl.** **15-03**

(52) **U.S. Cl.** **D15/25**

(58) **Field of Search** D15/22-26; 180/89.1,
180/89.12, 900; 414/660, 685, 694, 698,
719, 743

(56) **References Cited**

U.S. PATENT DOCUMENTS

D309,313 S	*	7/1990	Takashima et al.	D15/25
D312,468 S	*	11/1990	Masumoto et al.	D15/25
D354,497 S	*	1/1995	Kusunoki	D15/25
D387,360 S	*	12/1997	Ishizaki	D15/25
D393,268 S	*	4/1998	Tachinou et al.	D15/25
D424,581 S	*	5/2000	Morita et al.	D15/24
D431,253 S	*	9/2000	Marchetta et al.	D15/24
D440,235 S	*	4/2001	Kuwae et al.	D15/25

OTHER PUBLICATIONS

The Design for Power Shovel (Model No. U-40-3 with canopy); appearing in p. 11 of Urban Excavator Kinglev published by Kubota Corporation (Kwon Art No. HN13000519, Patent Office Design Section).

* cited by examiner

Primary Examiner—Mitchell Siegel

(74) *Attorney, Agent, or Firm*—Webb Ziesenheim Logsdon Orkin & Hanson, P.C.

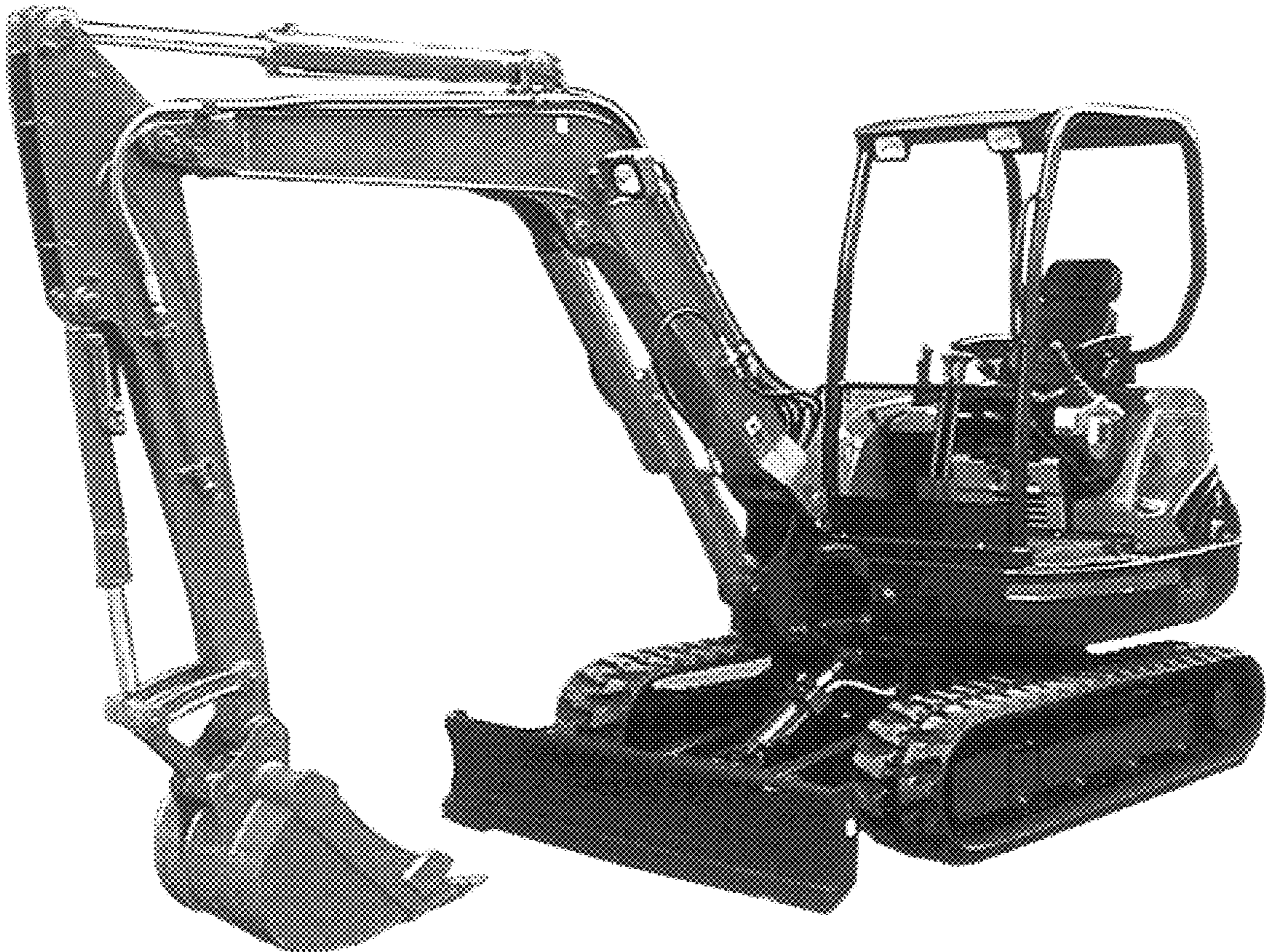
(57) **CLAIM**

The ornamental design for a backhoe, as shown and described.

DESCRIPTION

FIG. 1 is a right side view of a backhoe;
FIG. 2 is a left side view thereof;
FIG. 3 is a front side view thereof;
FIG. 4 is a rear side view thereof;
FIG. 5 is a top plan view thereof;
FIG. 6 is a left side-front side perspective view thereof;
FIG. 7 is a front side-right side perspective view thereof;
FIG. 8 is a rear side-left side perspective view thereof; and,
FIG. 9 is a rear side-right side perspective view thereof.

1 Claim, 5 Drawing Sheets



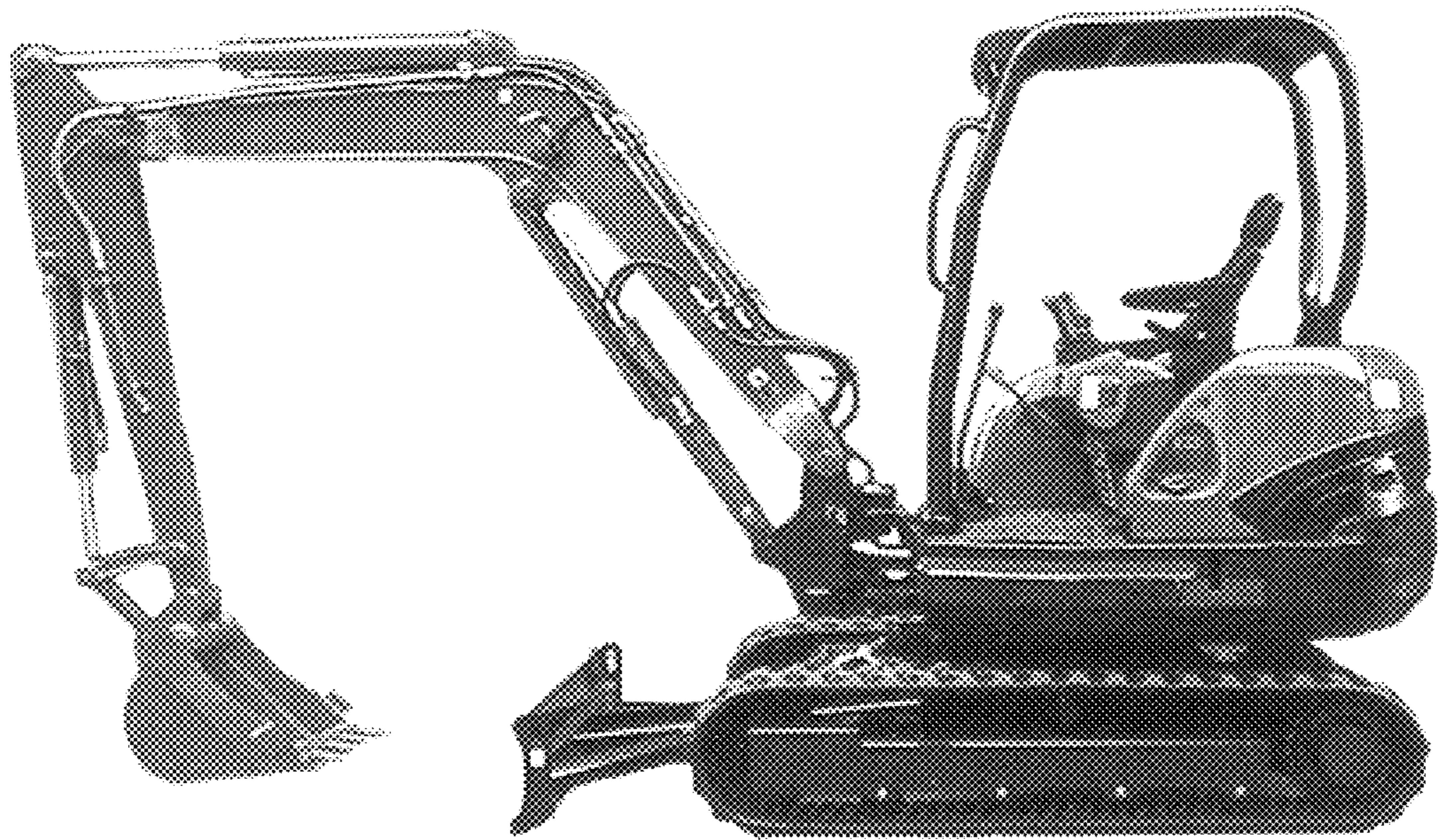


Fig. 1

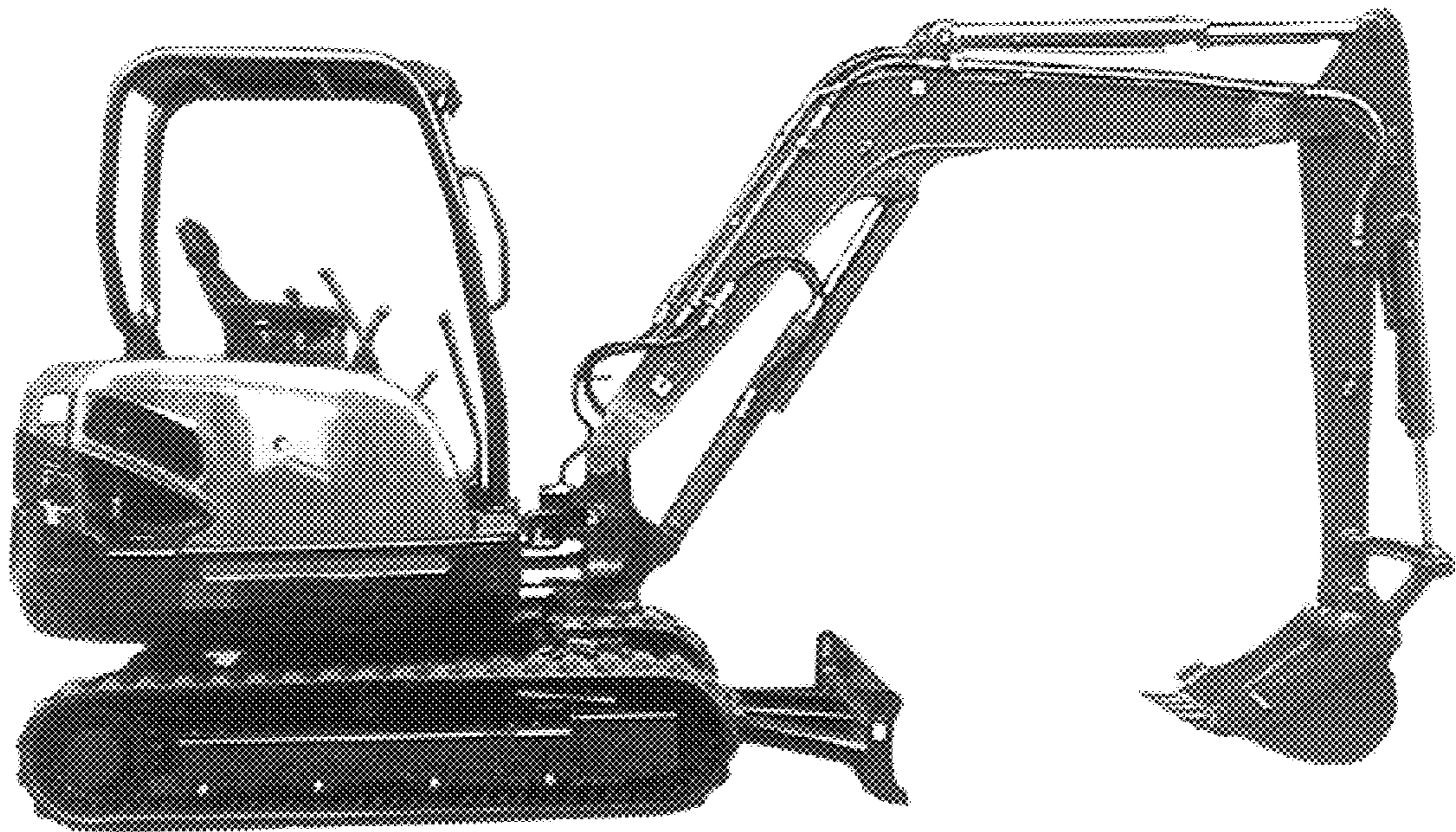


Fig. 2

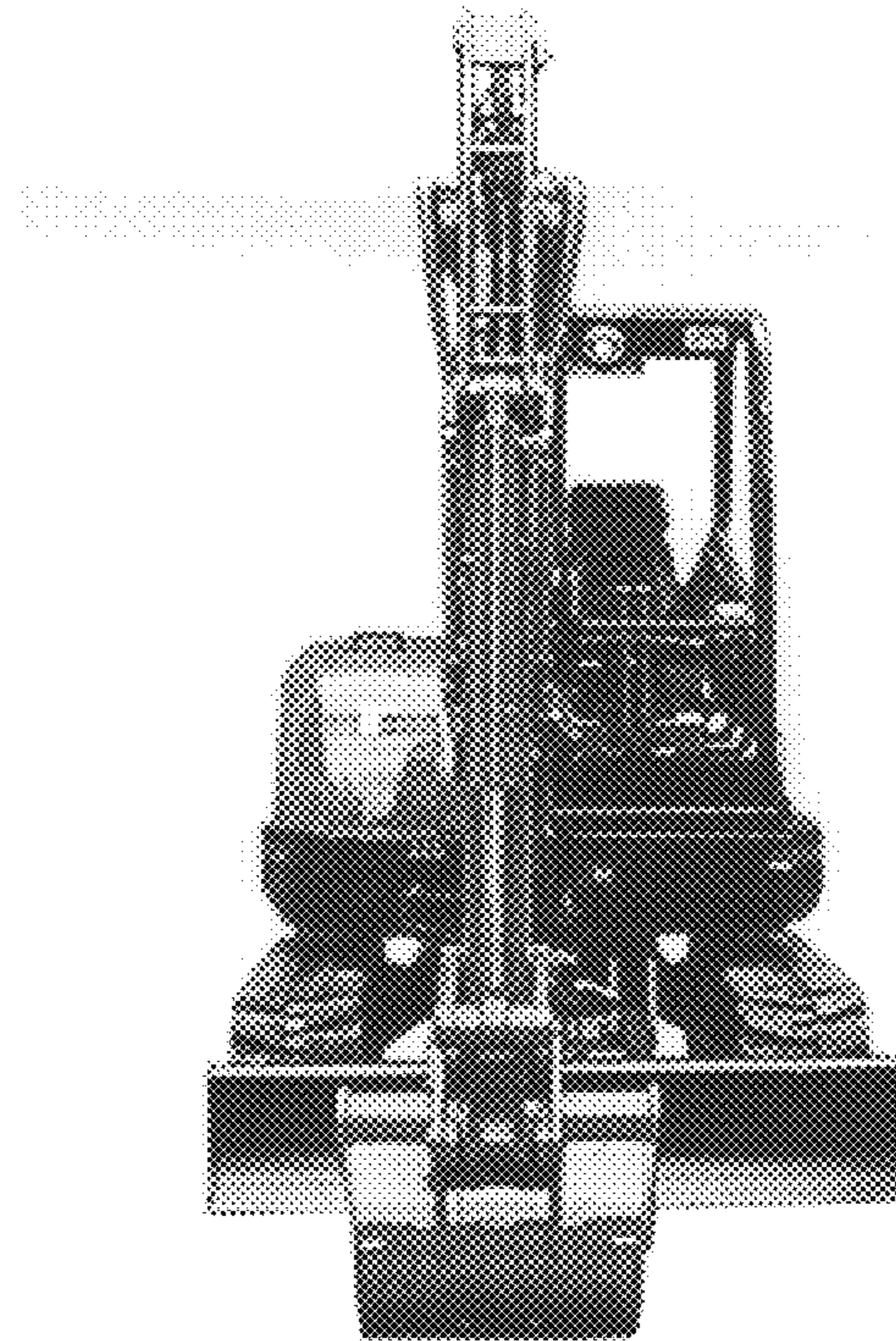


Fig. 3

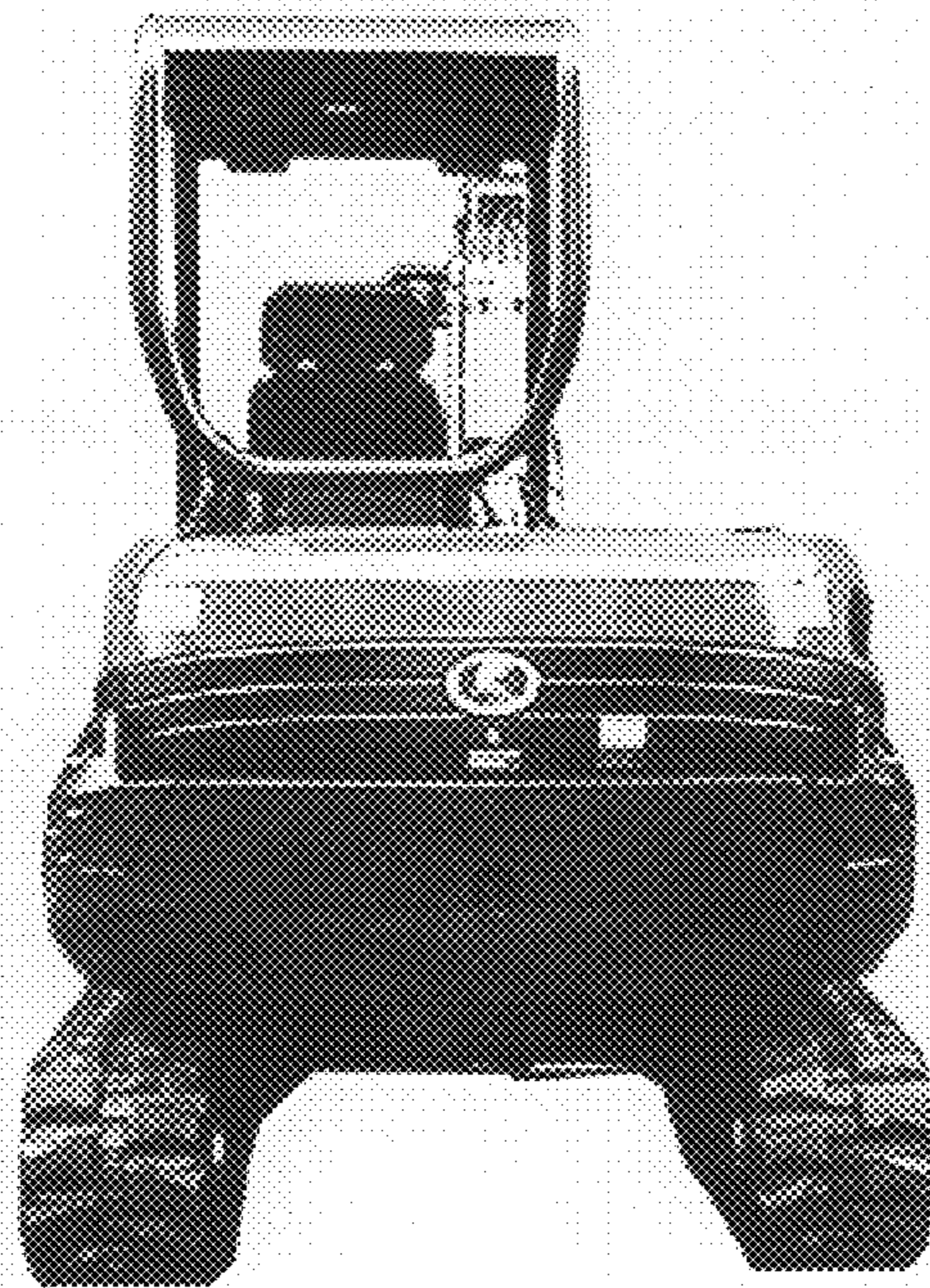


Fig. 4

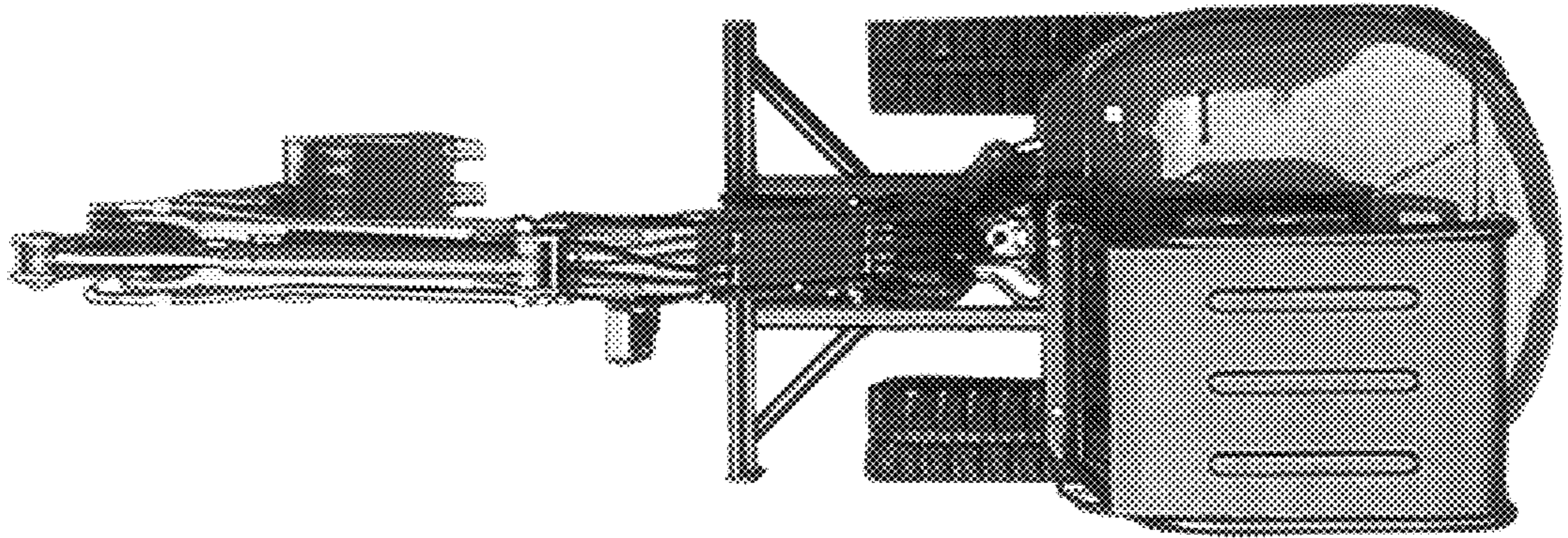


Fig. 5

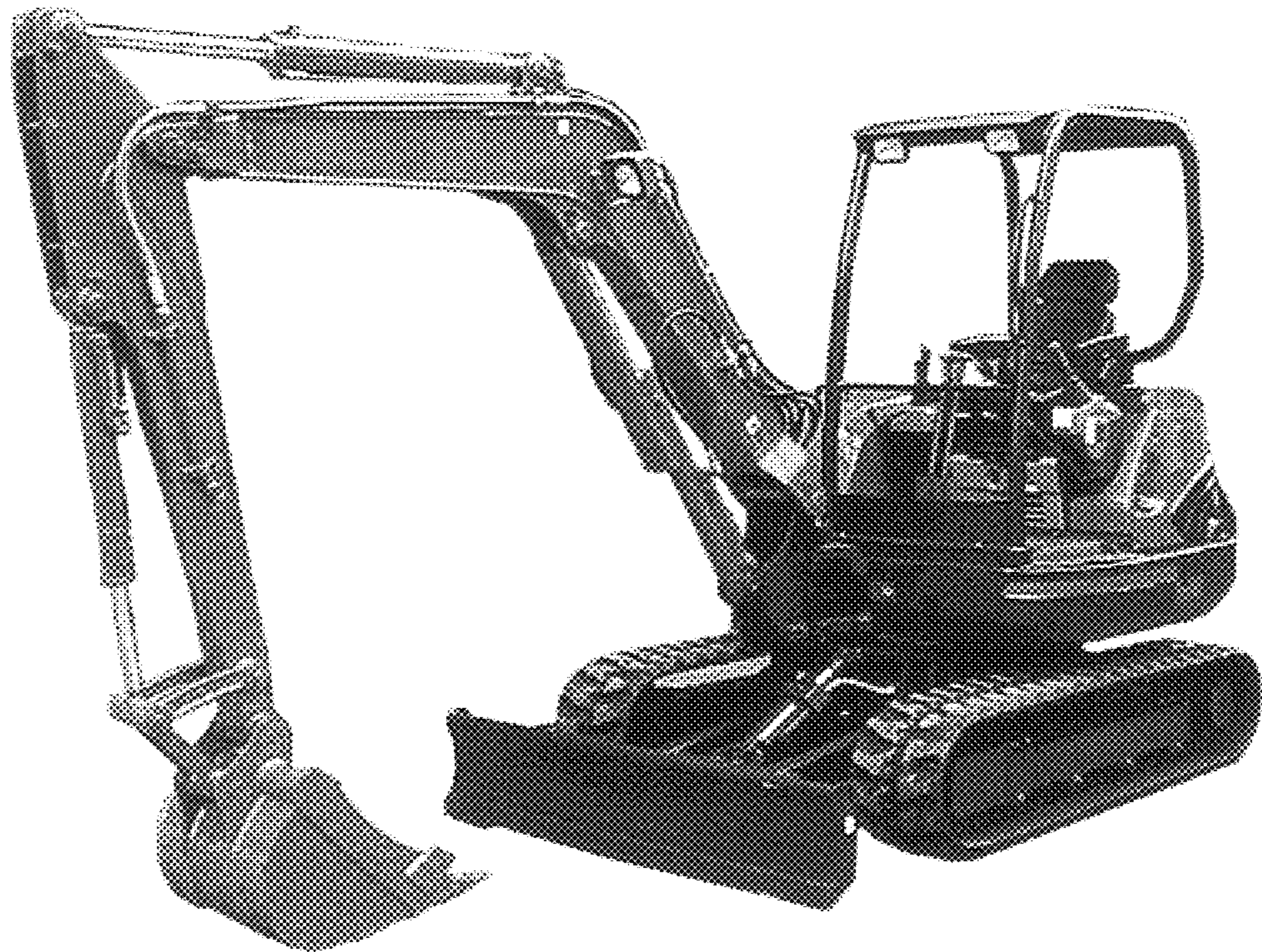


Fig. 6

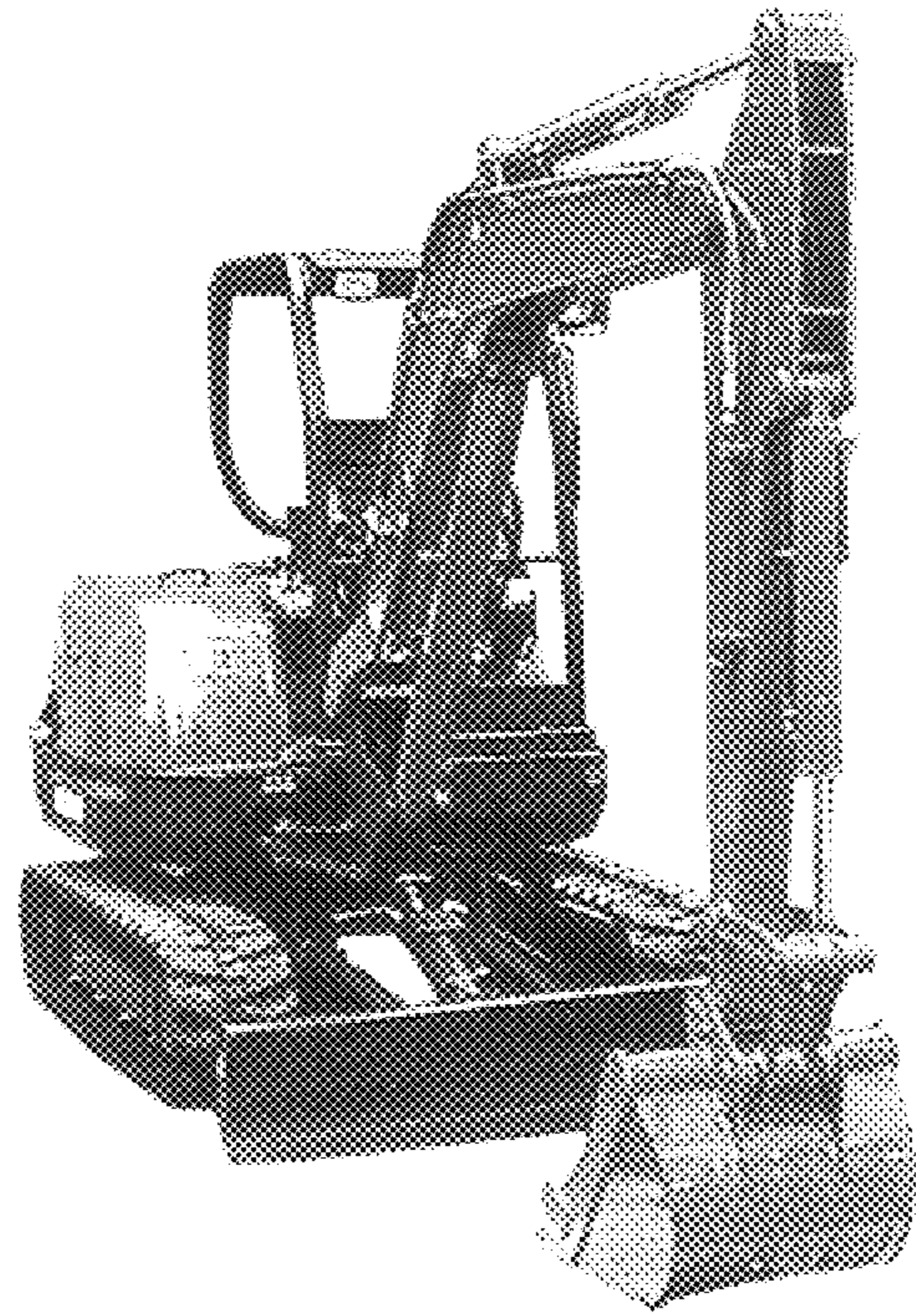


Fig. 7



Fig. 8



Fig. 9