



US00D474472S

(12) **United States Design Patent**
Maekawa et al.

(10) **Patent No.:** **US D474,472 S**
(45) **Date of Patent:** **** May 13, 2003**

(54) **INFORMATION RECORDING MEDIUM**

(75) Inventors: **Katsumi Maekawa**, Tokyo (JP); **Yuji Endo**, Tokyo (JP)

(73) Assignee: **Sony Corporation**, Tokyo (JP)

(**) Term: **14 Years**

(21) Appl. No.: **29/163,793**

(22) Filed: **Jul. 15, 2002**

(51) **LOC (7) Cl.** **14-02**

(52) **U.S. Cl.** **D14/436; D13/182; D14/435**

(58) **Field of Search** **D14/432, 433, D14/434, 435, 436, 437, 438, 439, 357, 242, 474; D13/162, 182, 137.3, 139.4; 336/200, 212; 340/572.1; 242/338.3; 360/69, 132**

(56) **References Cited**

U.S. PATENT DOCUMENTS

D299,139 S * 12/1988 Toft et al. D14/357
D431,035 S * 9/2000 Lehtomaki D14/242

D452,220 S * 12/2001 Robson D13/182
D460,456 S * 7/2002 Shimoda et al. D14/436
2002/0089405 A1 * 7/2002 Jitaru 336/200

* cited by examiner

Primary Examiner—**Kay H. Chin**

(74) *Attorney, Agent, or Firm*—**Rader, Fishman & Grauer PLLC**

(57) **CLAIM**

The ornamental design for an information recording medium, as shown.

DESCRIPTION

FIG. 1 is a top, front, right perspective view of an information recording medium showing our new design; FIG. 2, is a top, front, left perspective view thereof; FIG. 3 is a front elevational view thereof; FIG. 4 is a rear elevational view thereof; FIG. 5 is a left side elevational view thereof; FIG. 6 is a right side elevational view thereof; FIG. 7 is a top plan view thereof; and, FIG. 8 is a bottom plan view thereof.

1 Claim, 4 Drawing Sheets

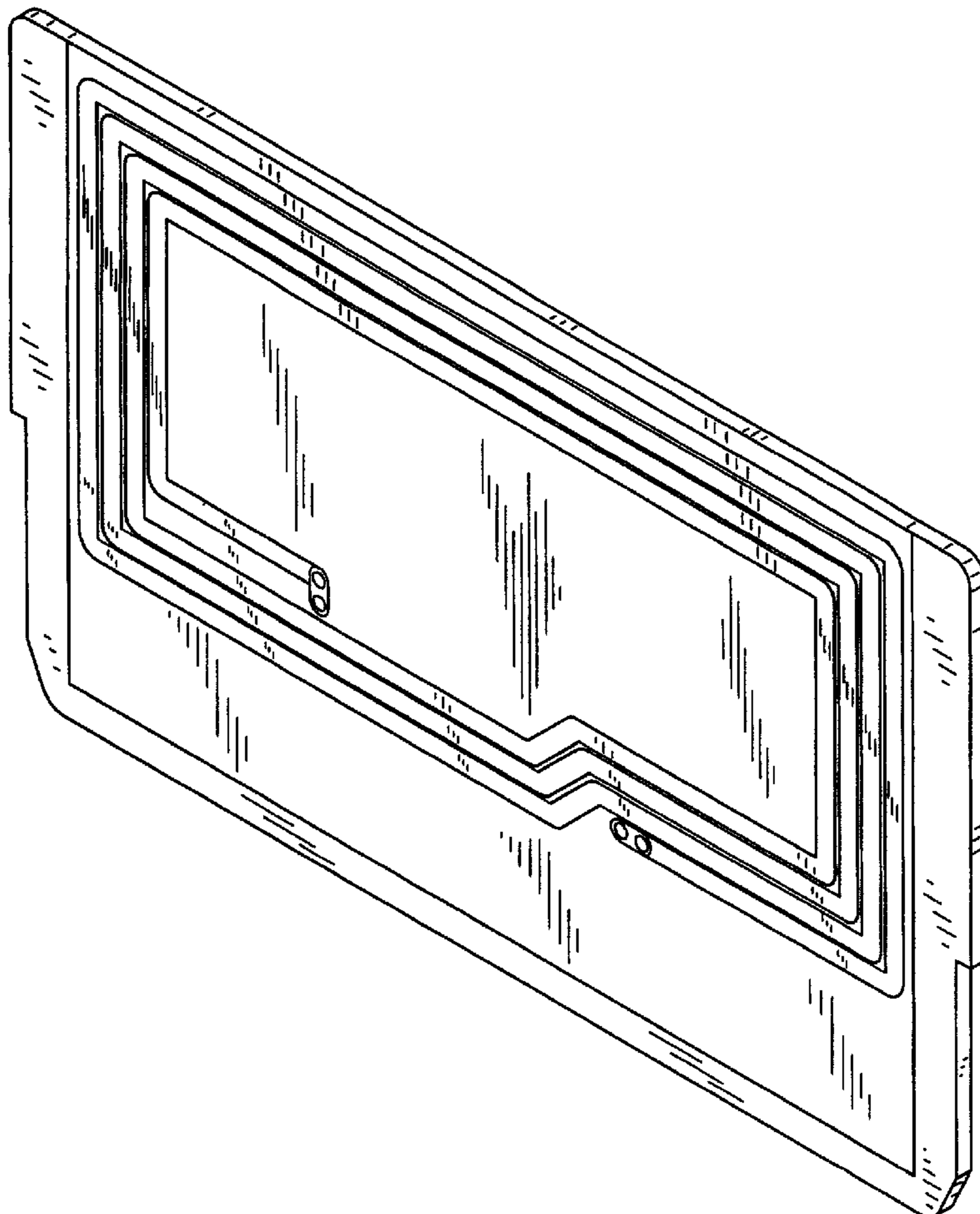


FIG. 1

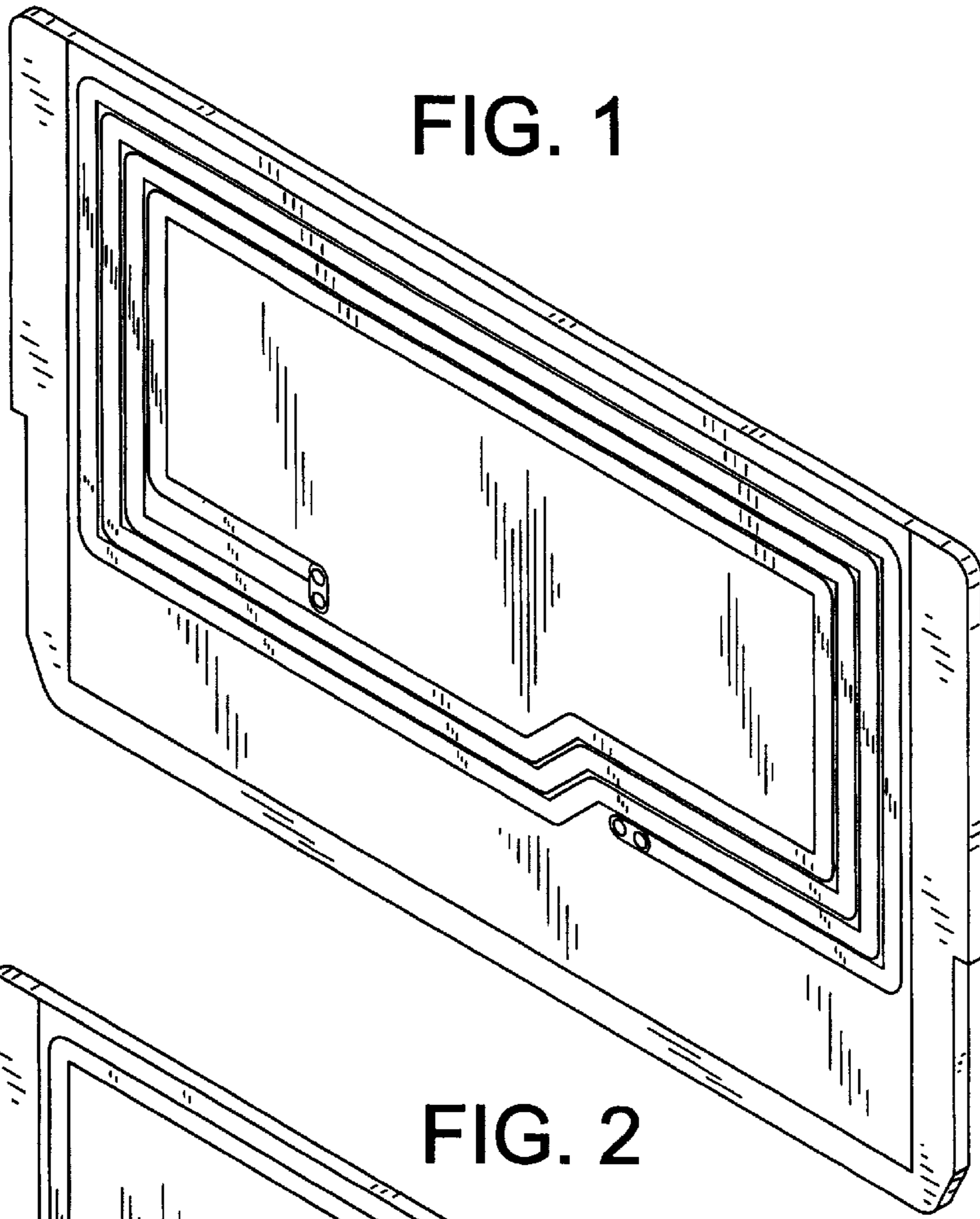


FIG. 2

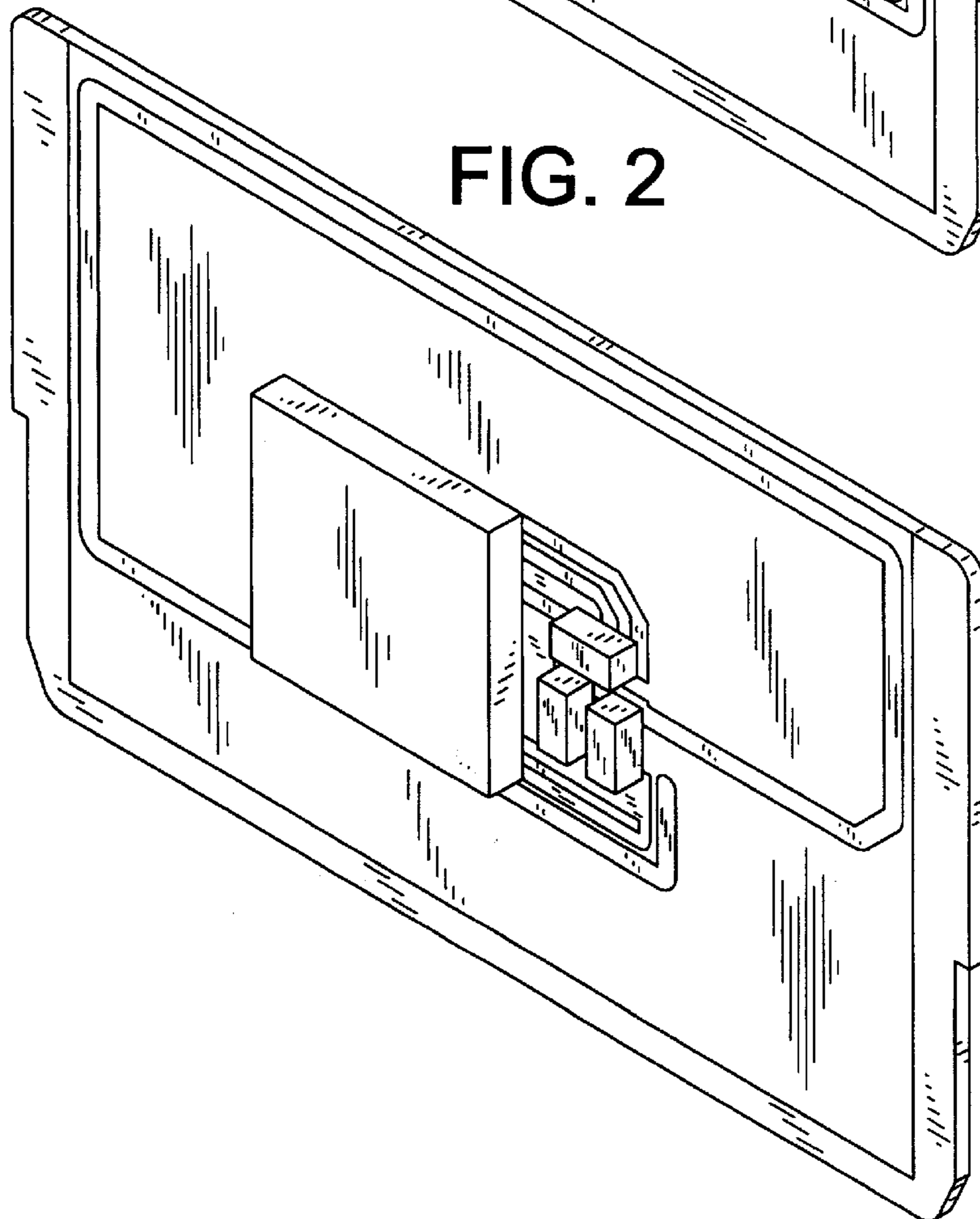


FIG. 3

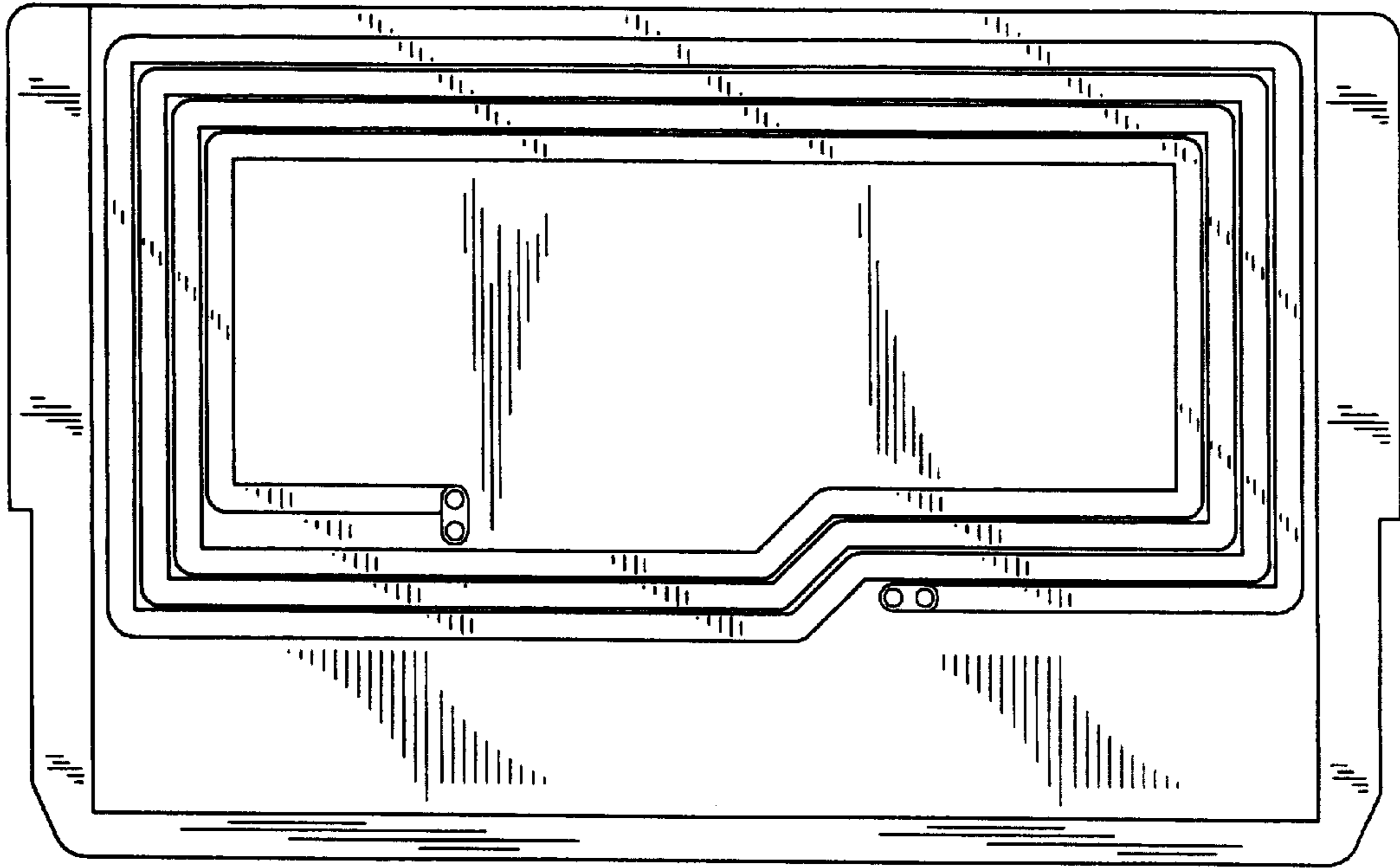


FIG. 4

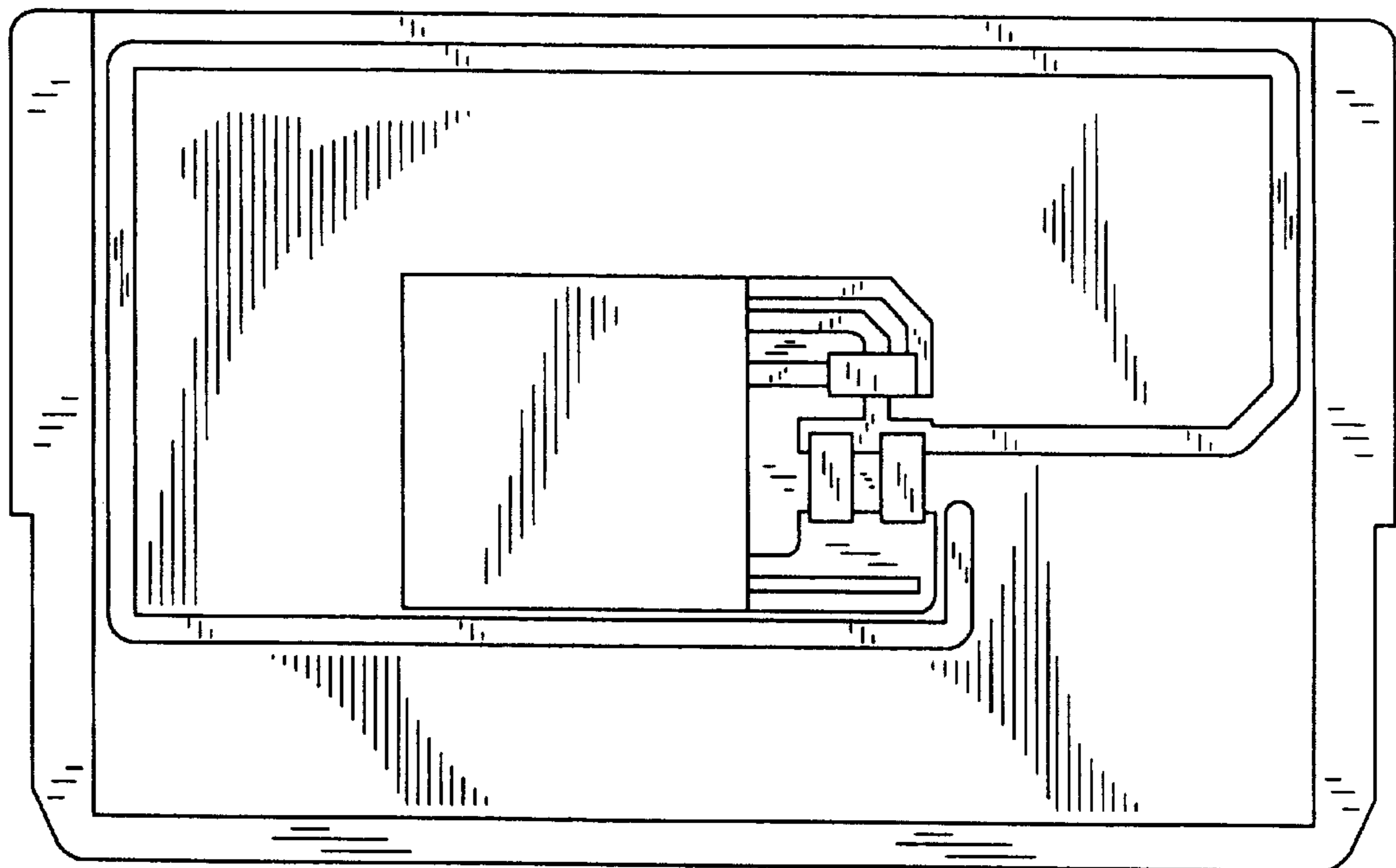


FIG. 5



FIG. 6



FIG. 7



FIG. 8

