



US00D474457S

(12) **United States Design Patent**
Cheng

(10) **Patent No.:** **US D474,457 S**

(45) **Date of Patent:** **** May 13, 2003**

(54) **MICROPHONE PROVIDED WITH MEANS TO HOLD MUSICAL INSTRUMENT**

(75) Inventor: **Ming-Chung Cheng**, Taichung (TW)

(73) Assignee: **Taky Electronics Co., Ltd.**, Ta-Li (TW)

(**) Term: **14 Years**

(21) Appl. No.: **29/161,448**

(22) Filed: **May 31, 2002**

(51) **LOC (7) Cl.** **14-01**

(52) **U.S. Cl.** **D14/227**

(58) **Field of Search** D14/226, 225, D14/227, 228, 229; D8/396; 248/122.1; 381/361, 366; 224/247, 669, 678

(56) **References Cited**

U.S. PATENT DOCUMENTS

D176,976 S	*	2/1956	Crook	D8/396 X
D278,233 S	*	4/1985	Hardy	D14/229
D299,693 S	*	2/1989	Wick	D8/396
D302,158 S	*	7/1989	Kubota	D14/225

D305,026 S	*	12/1989	Wolf	D14/229
D311,189 S	*	10/1990	Lazzeroni et al.	D14/229
D313,802 S	*	1/1991	Peiker	D14/227
D334,387 S	*	3/1993	Bostock et al.	D14/227
D438,196 S	*	2/2001	Darbut et al.	D14/226
D438,860 S	*	3/2001	Darbut et al.	D14/226

* cited by examiner

Primary Examiner—Paula A. Mortimer

(74) *Attorney, Agent, or Firm*—Bacon & Thomas, PLLC

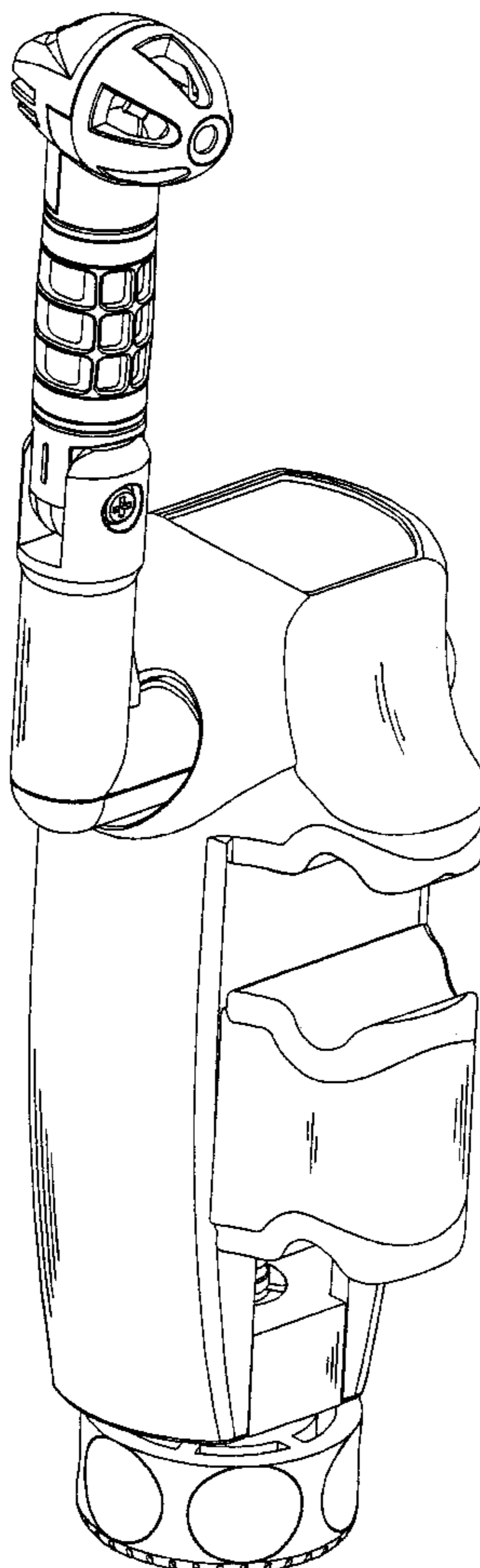
(57) **CLAIM**

The ornamental design for a microphone provided with means to hold musical instrument, as shown and described.

DESCRIPTION

FIG. 1 shows a perspective view of the present design; FIG. 2 shows a front elevational view of the present design; FIG. 3 shows a rear elevational view of the present design; FIG. 4 shows a left elevational view of the present design; FIG. 5 shows a right elevational view of the present design; FIG. 6 shows a top plan view of the present design; and, FIG. 7 shows a bottom plan view of the present design.

1 Claim, 7 Drawing Sheets



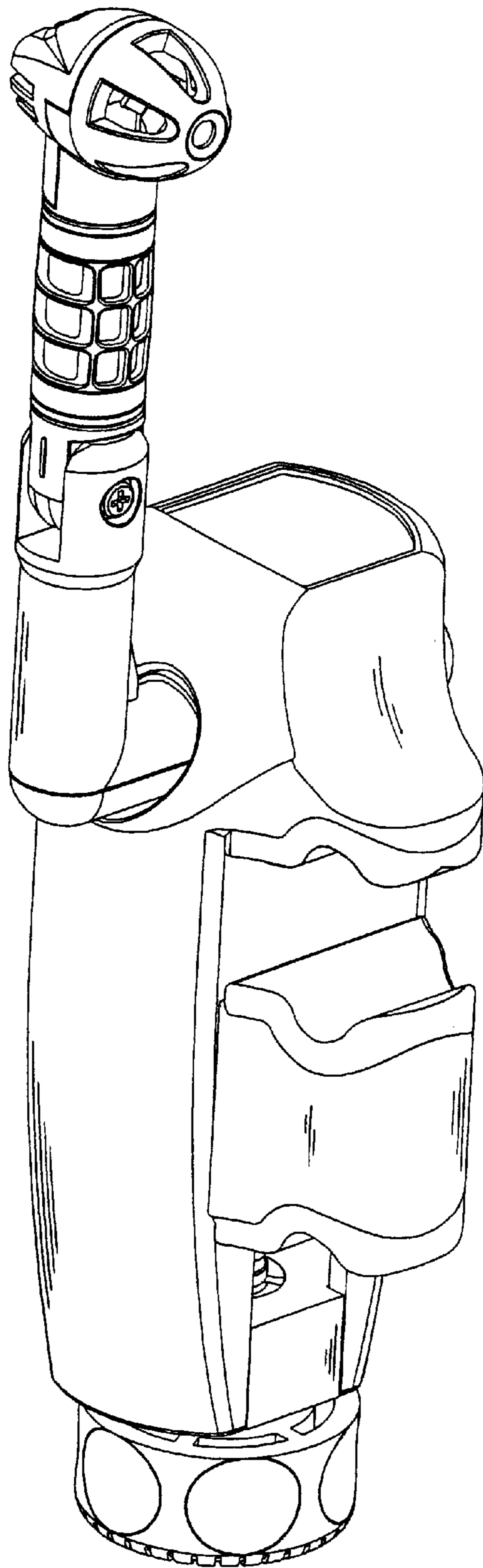


Fig • 1

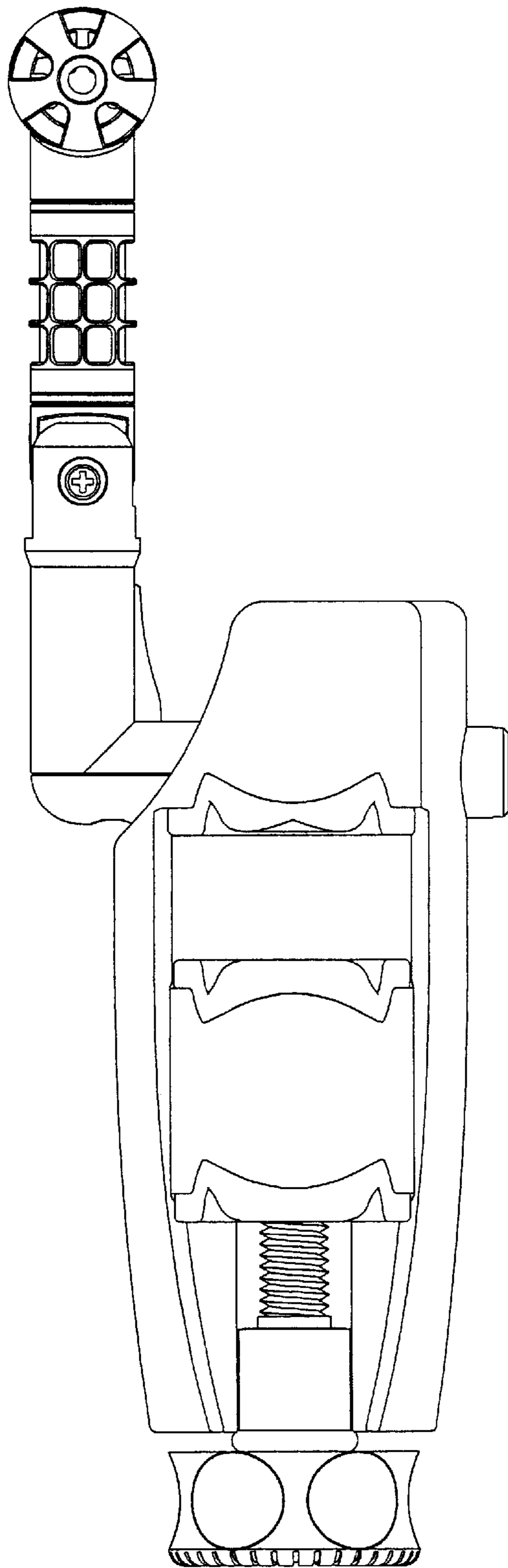


Fig • 2

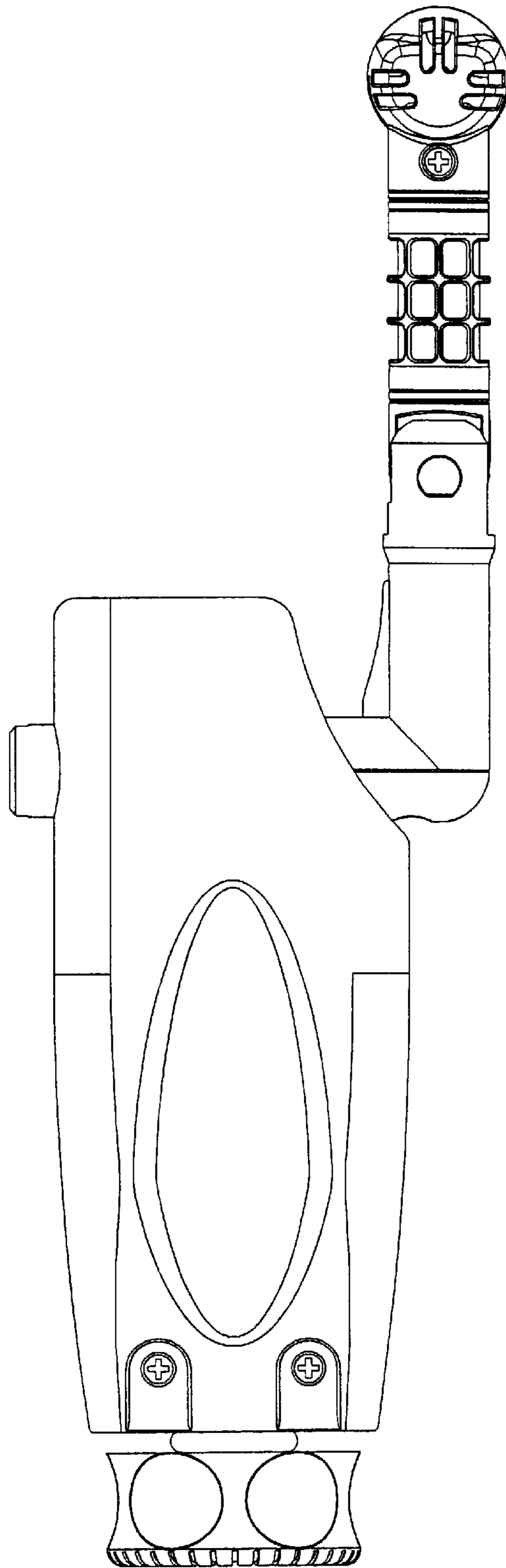


Fig • 3

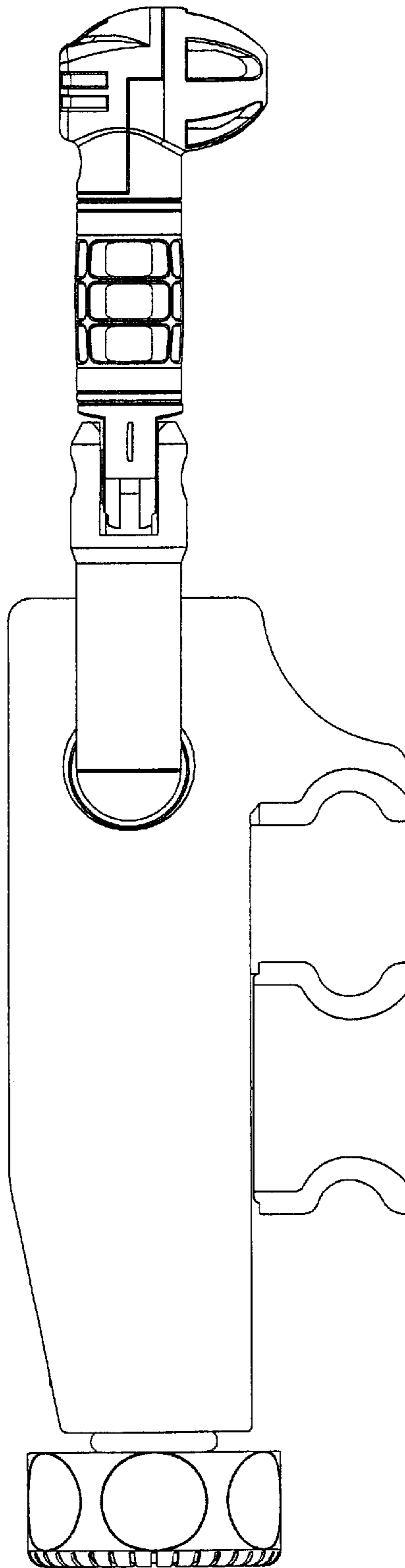


Fig • 4

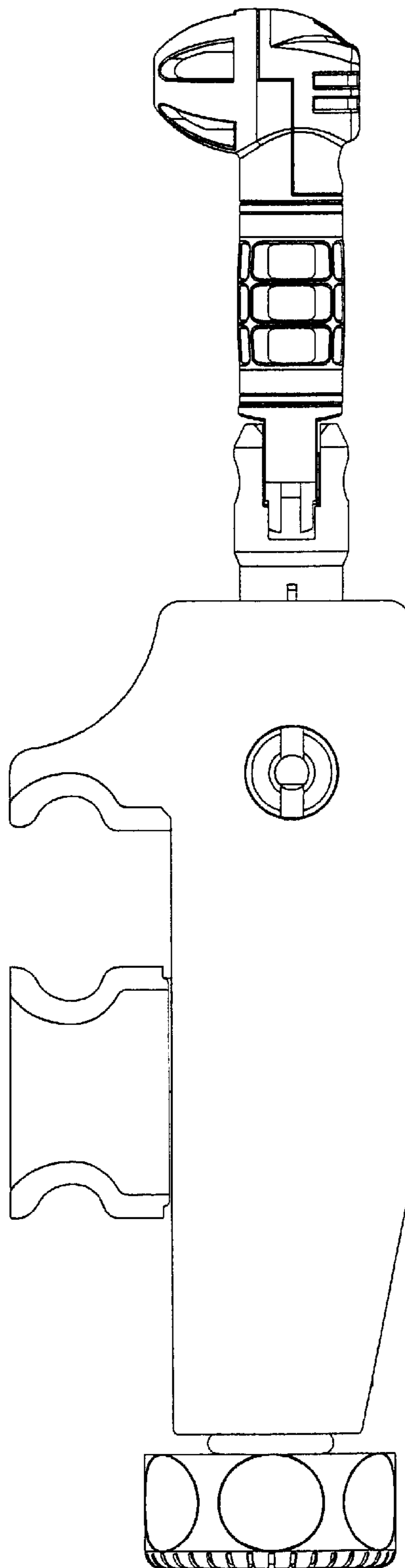


Fig • 5

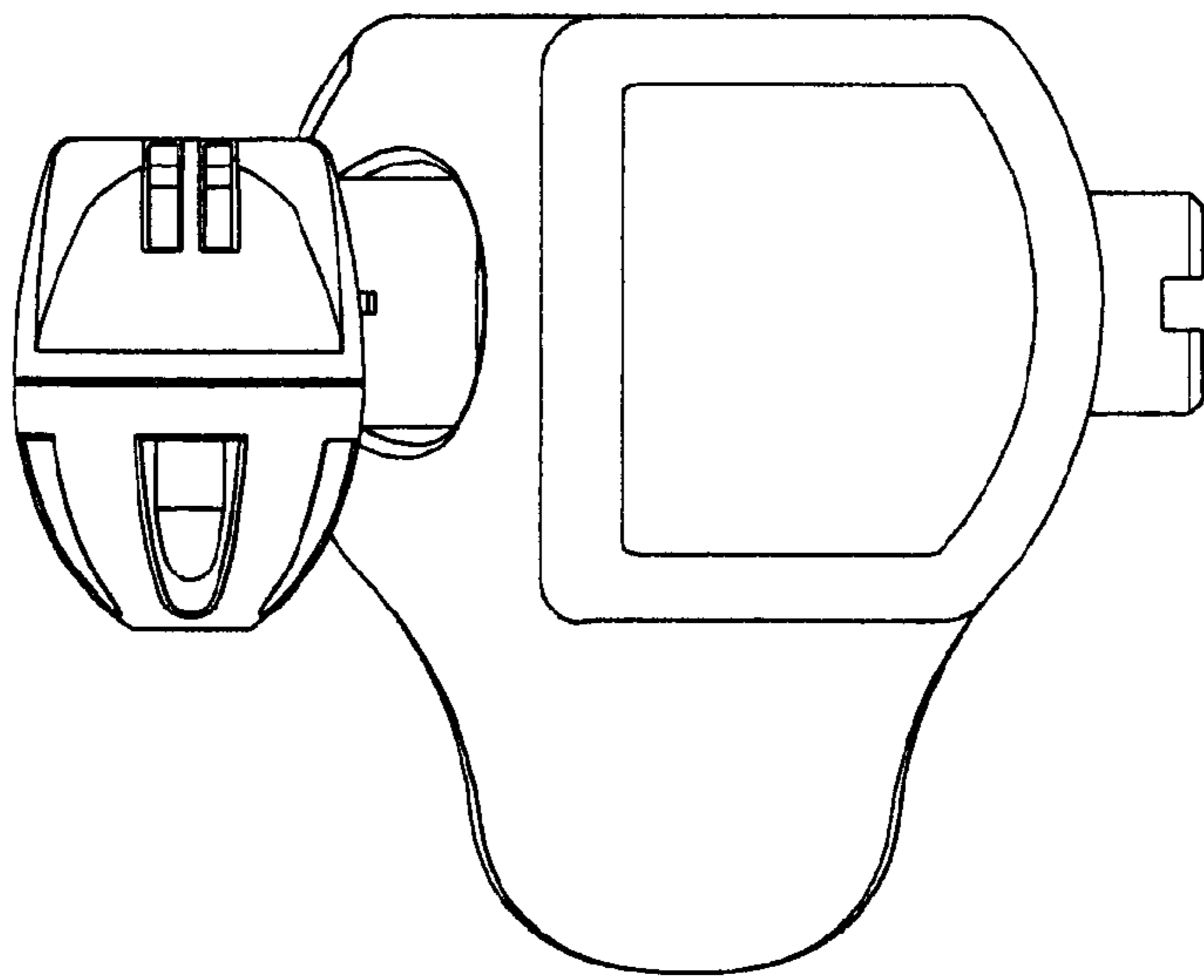


Fig • 6

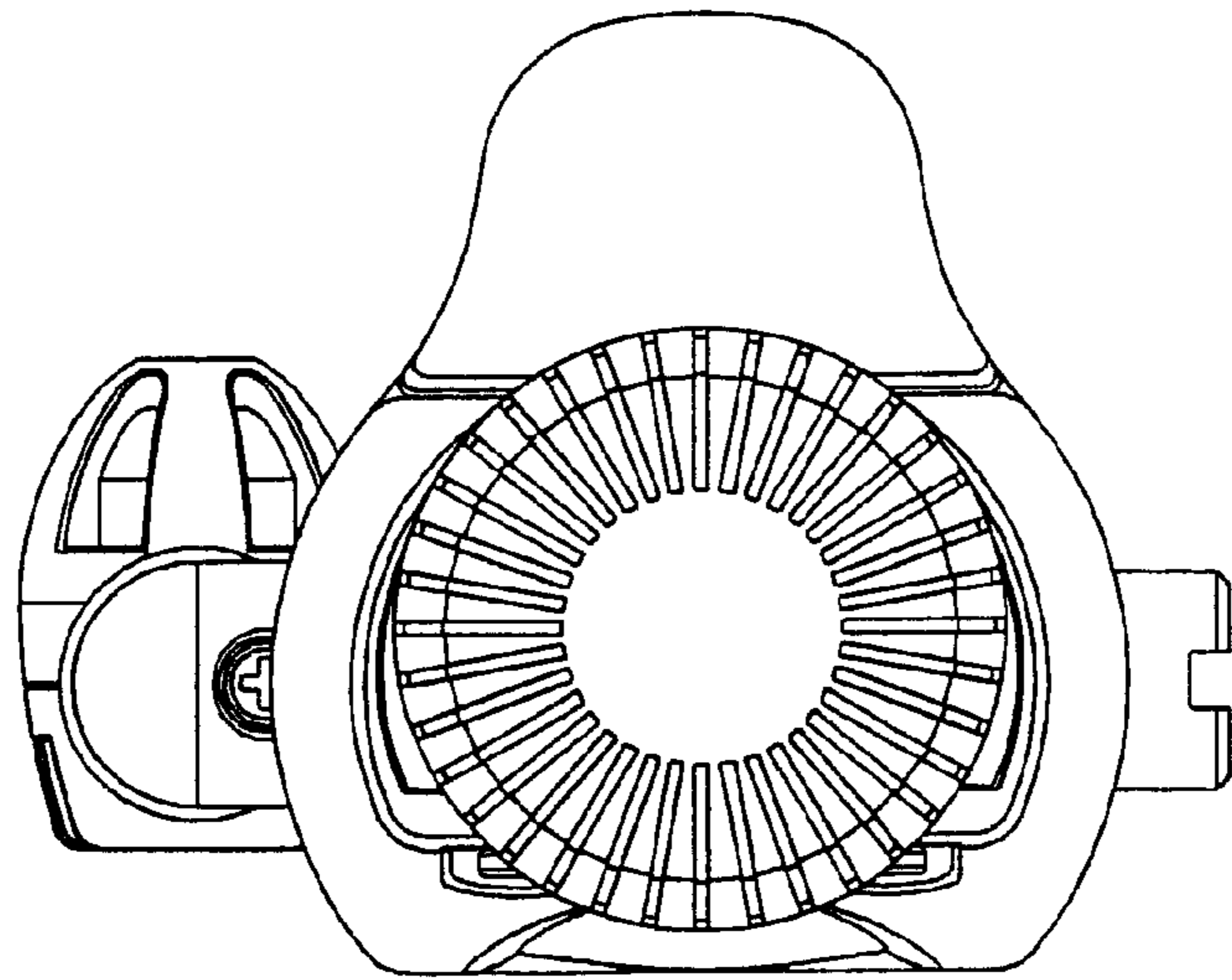


Fig • 7