



US00D474453S

(12) **United States Design Patent**
Kanatani

(10) **Patent No.:** **US D474,453 S**

(45) **Date of Patent:** **** May 13, 2003**

(54) **TELEVISION RECEIVER**

(75) Inventor: **Masakazu Kanatani**, Tokyo (JP)

(73) Assignee: **Sony Corporation**, Tokyo (JP)

(**) Term: **14 Years**

(21) Appl. No.: **29/165,629**

(22) Filed: **Aug. 15, 2002**

(51) **LOC (7) Cl.** **14-03**

(52) **U.S. Cl.** **D14/126**

(58) **Field of Search** D14/125-136,
D14/239, 371, 374, 375, 379; 312/7.2;
348/836, 838, 180, 184, 325, 739; 248/917-924;
349/1, 2, 11, 62

(56) **References Cited**

U.S. PATENT DOCUMENTS

D350,346 S	*	9/1994	Takemasa et al.	D14/126
D432,102 S		10/2000	Arie		
D454,845 S		3/2002	Niitsu		
D457,864 S	*	5/2002	Bong et al.	D14/126

OTHER PUBLICATIONS

Catalog, "99," p. 51, SONY (Nov. 2001).
Web page, "15/12 inch Liquid Crystal Display TV•LC-15A1-S/12A1-S," <http://www.sharp.co.jp/sc/eihon/Ic15a1/text/index.html>, 1 sheet, SHARP (Feb. 2002).

Web page, "15/12 inch Liquid Crystal Display TV•LC-20V10," <http://www.sharp.co.jp/sc/eihon/Ic20V10/index.html>, 1 sheet, SHARP (Feb. 2002).

Web page, "22 inch wide Liquid Crystal TV:TH-22LT1," http://prodb.matsushita.co.jp/products/t/TH/TH-22LT_t.html, 1 sheet, Matsushita (Feb. 2002).

Web page, "Combined DVD player with wide Liquid Crystal TV:TH-15LT1," http://prodb.matsushita.co.jp/products/t/TH/TH-15LT_t.html, 1 sheet, Matsushita (Feb. 2002).

* cited by examiner

Primary Examiner—Raphael Barkai

(74) *Attorney, Agent, or Firm*—Rader, Fishman & Grauer PLLC

(57) **CLAIM**

The ornamental design for a television receiver, as shown.

DESCRIPTION

FIG. 1 is a perspective view of a television receiver showing my new design;

FIG. 2 is a front elevational view thereof;

FIG. 3 is a rear elevational view thereof;

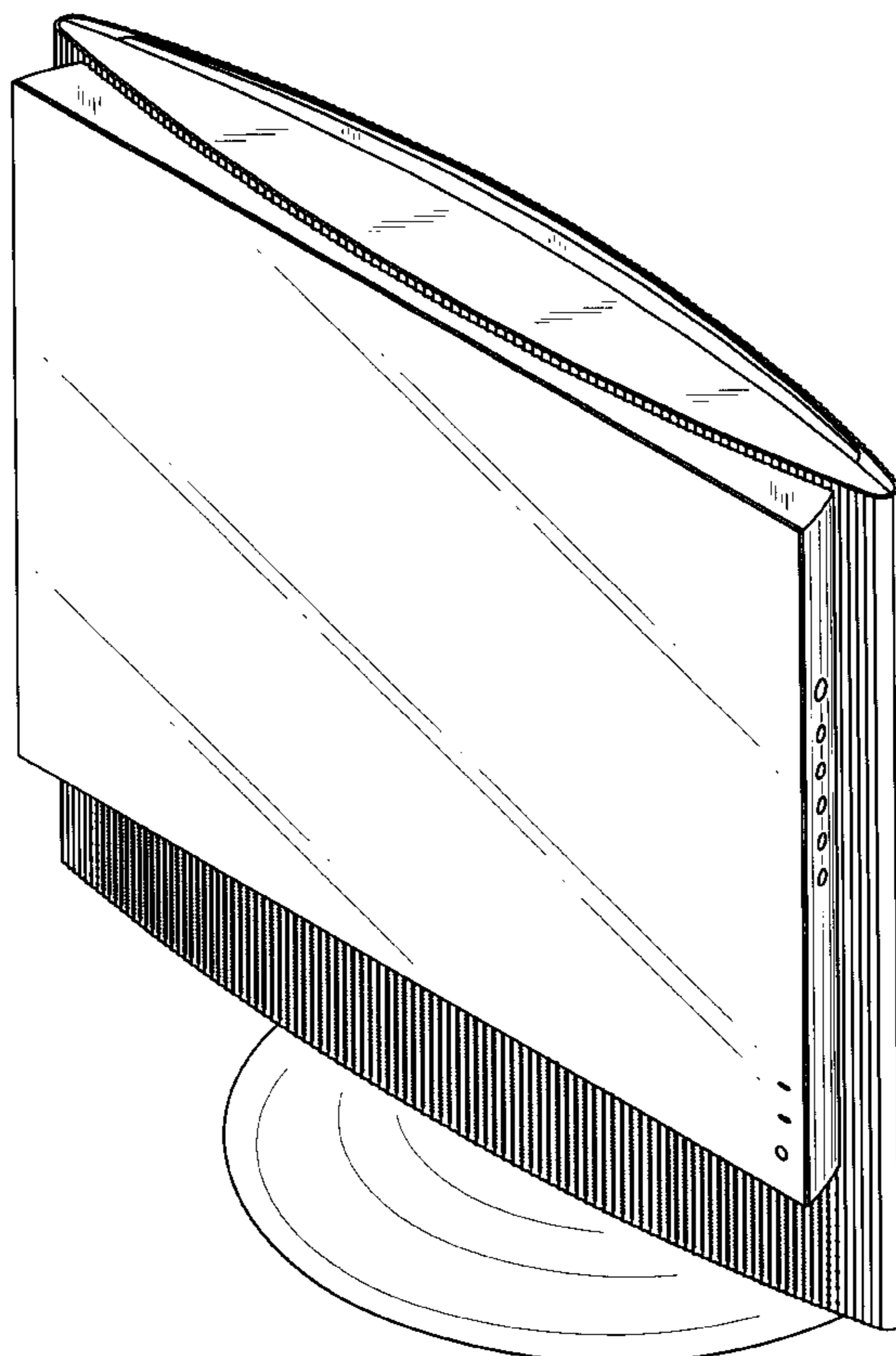
FIG. 4 is a left side elevational view thereof;

FIG. 5 is a right side elevational view thereof;

FIG. 6 is a top plan view thereof; and,

FIG. 7 is a bottom plan view thereof.

1 Claim, 5 Drawing Sheets



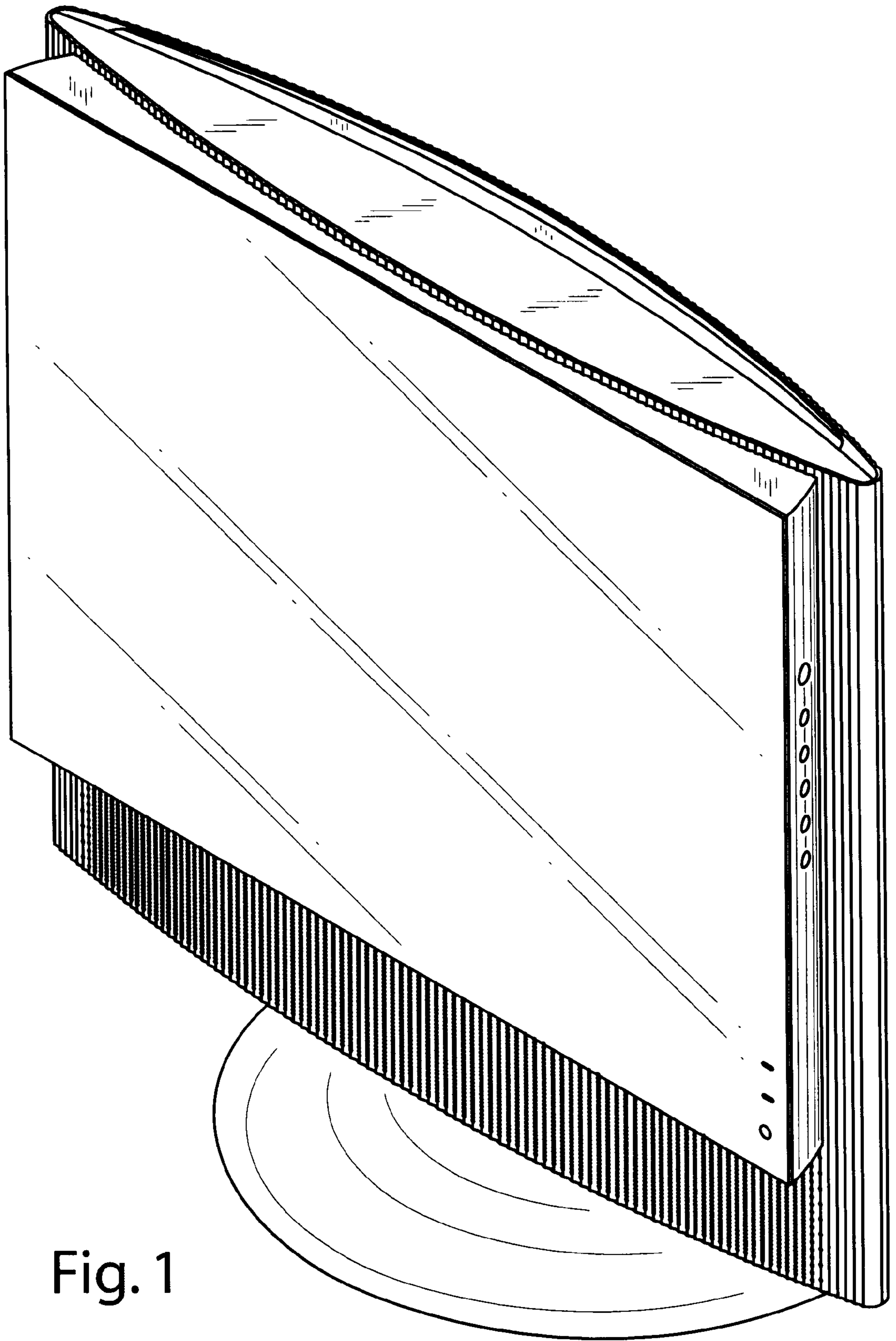


Fig. 1

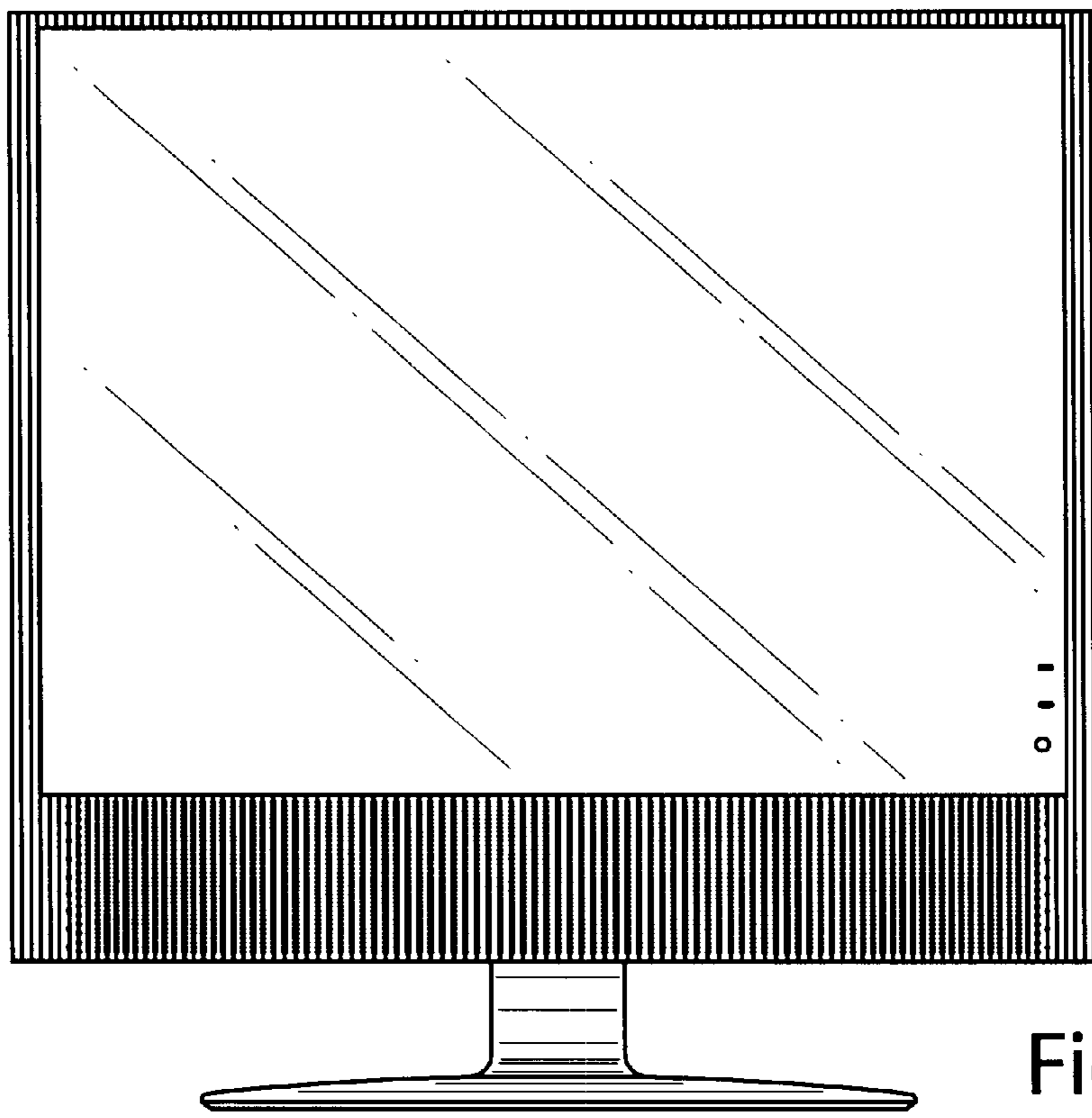


Fig. 2

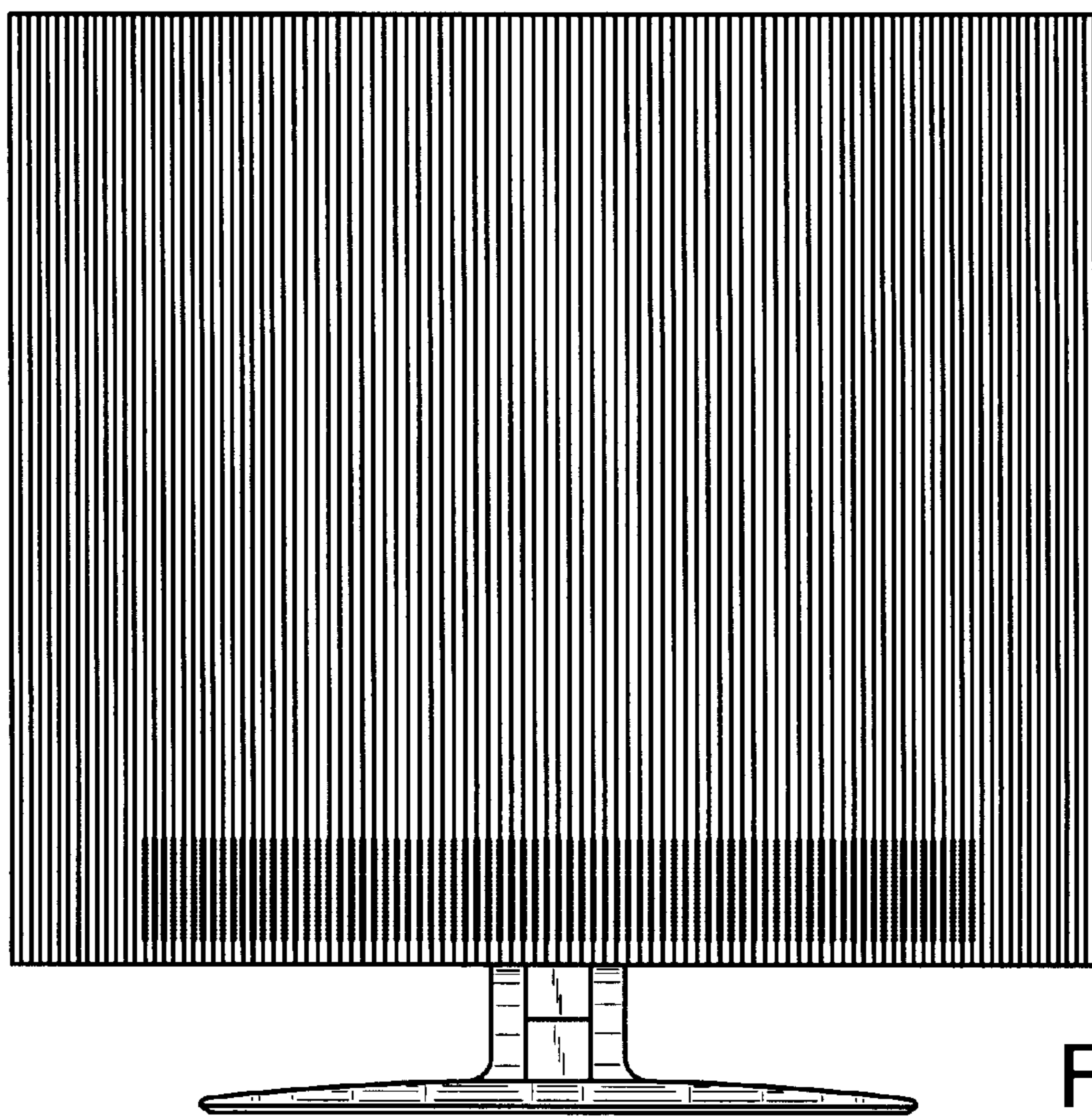


Fig. 3

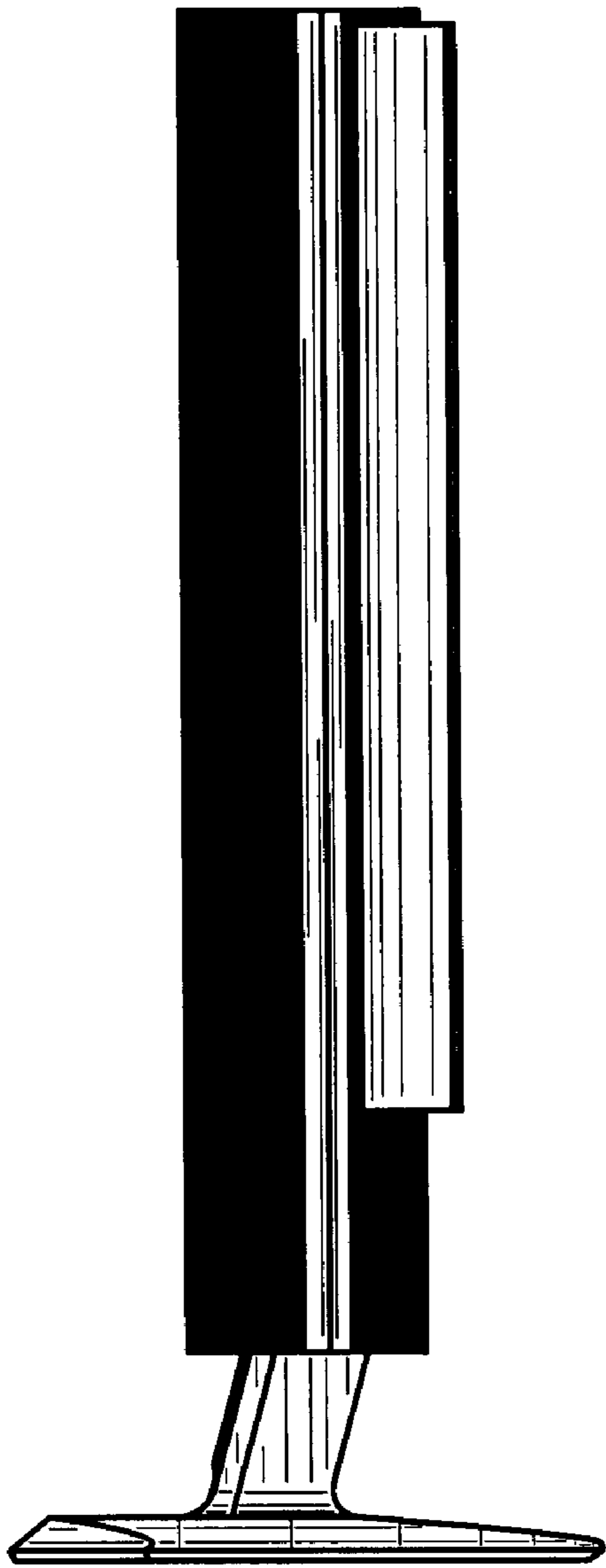


Fig. 4

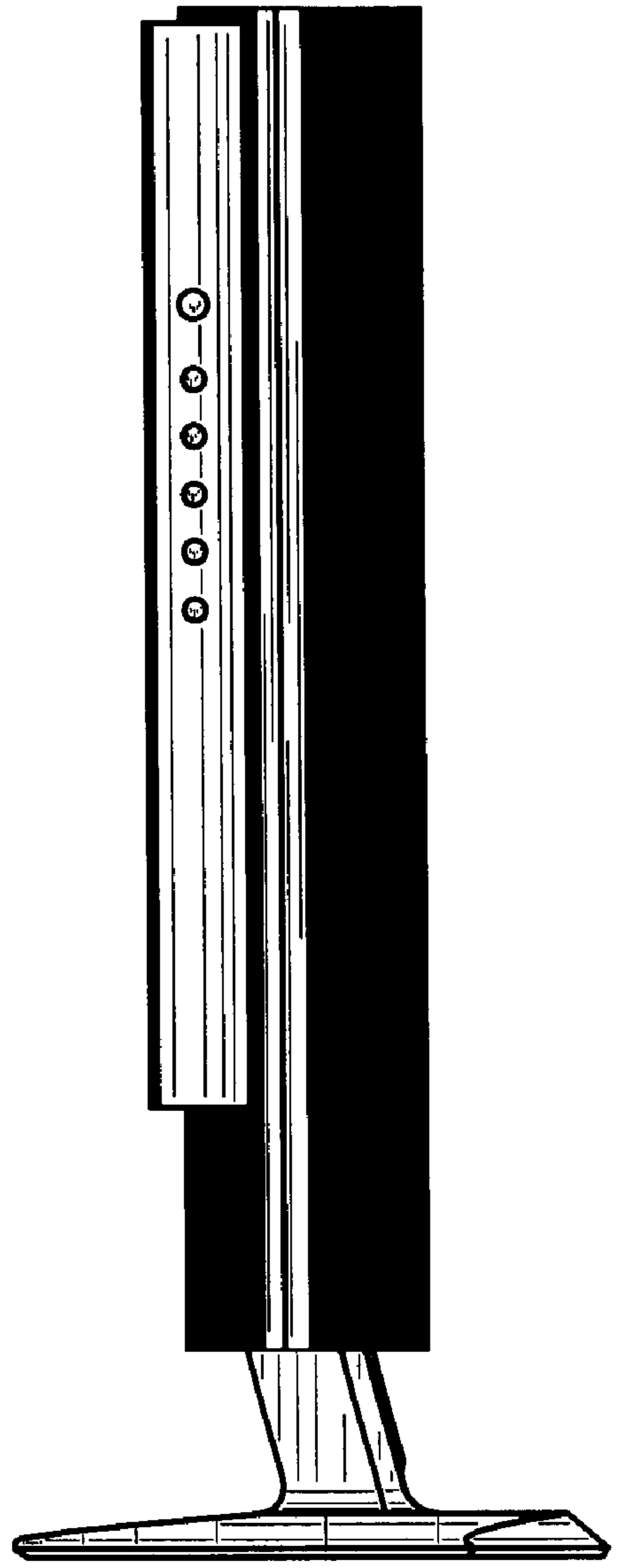


Fig. 5

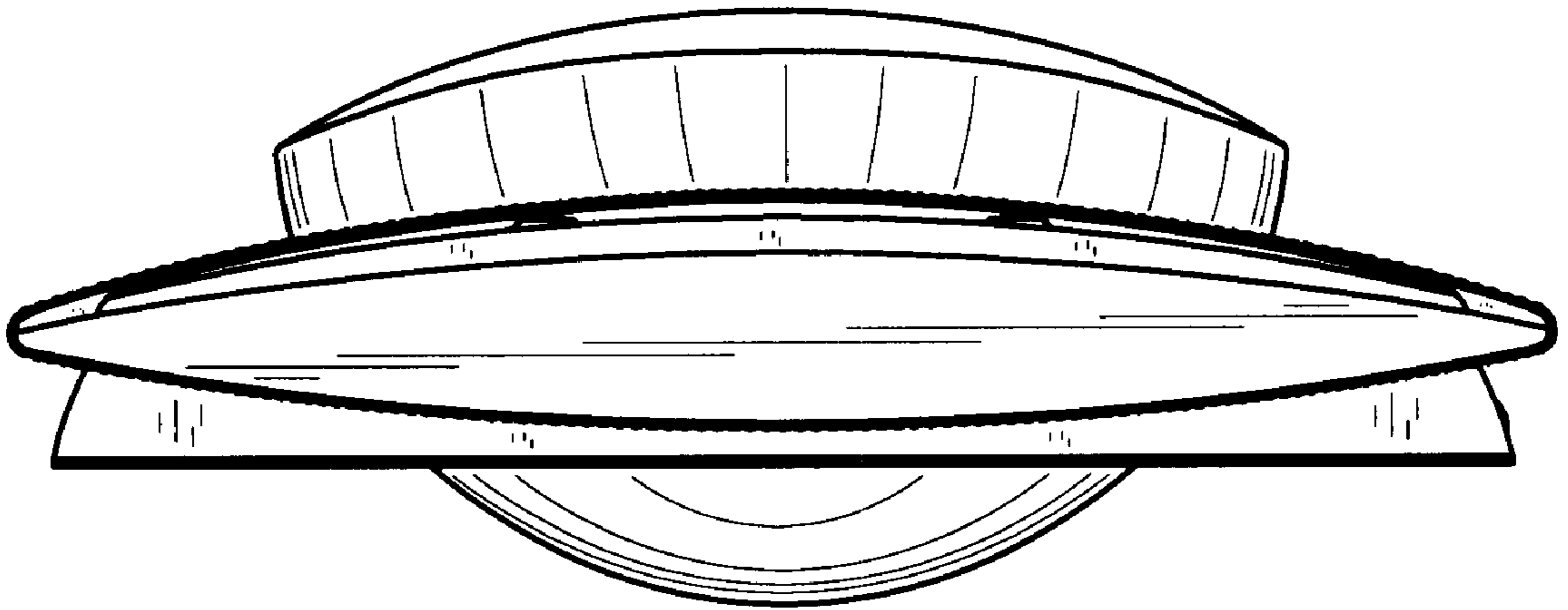


Fig. 6

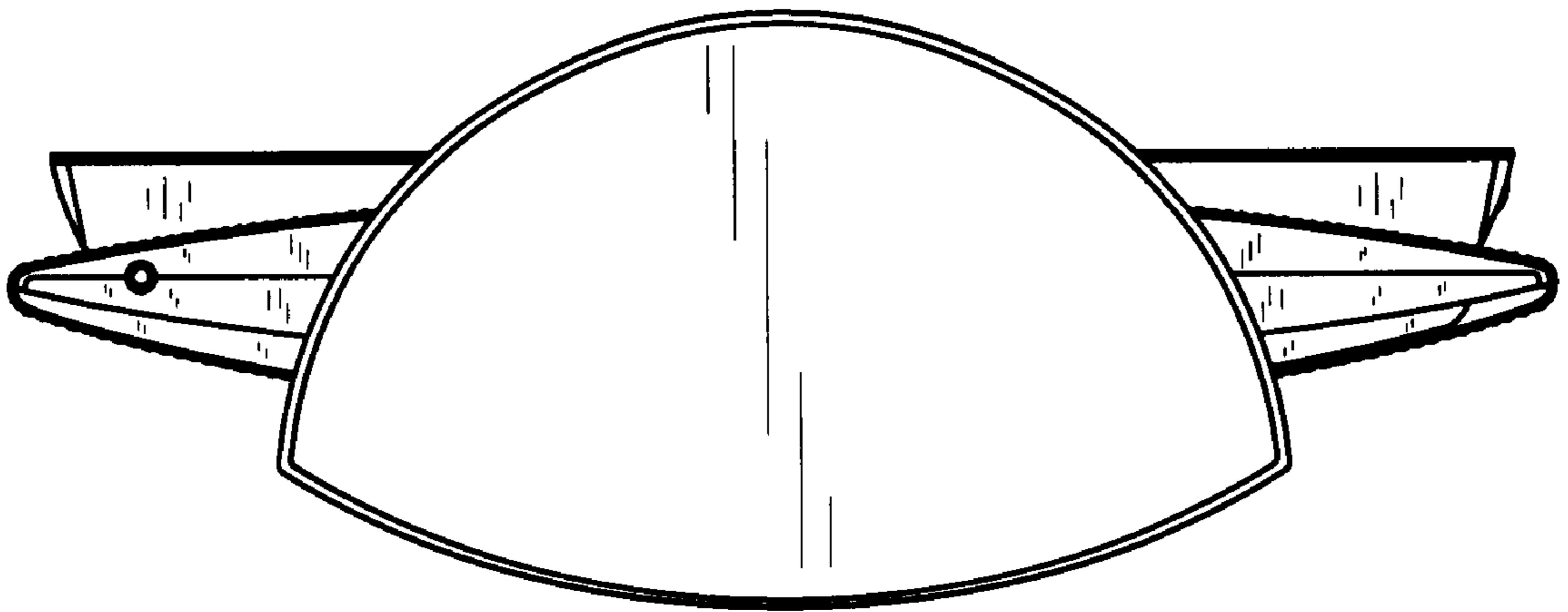


Fig. 7

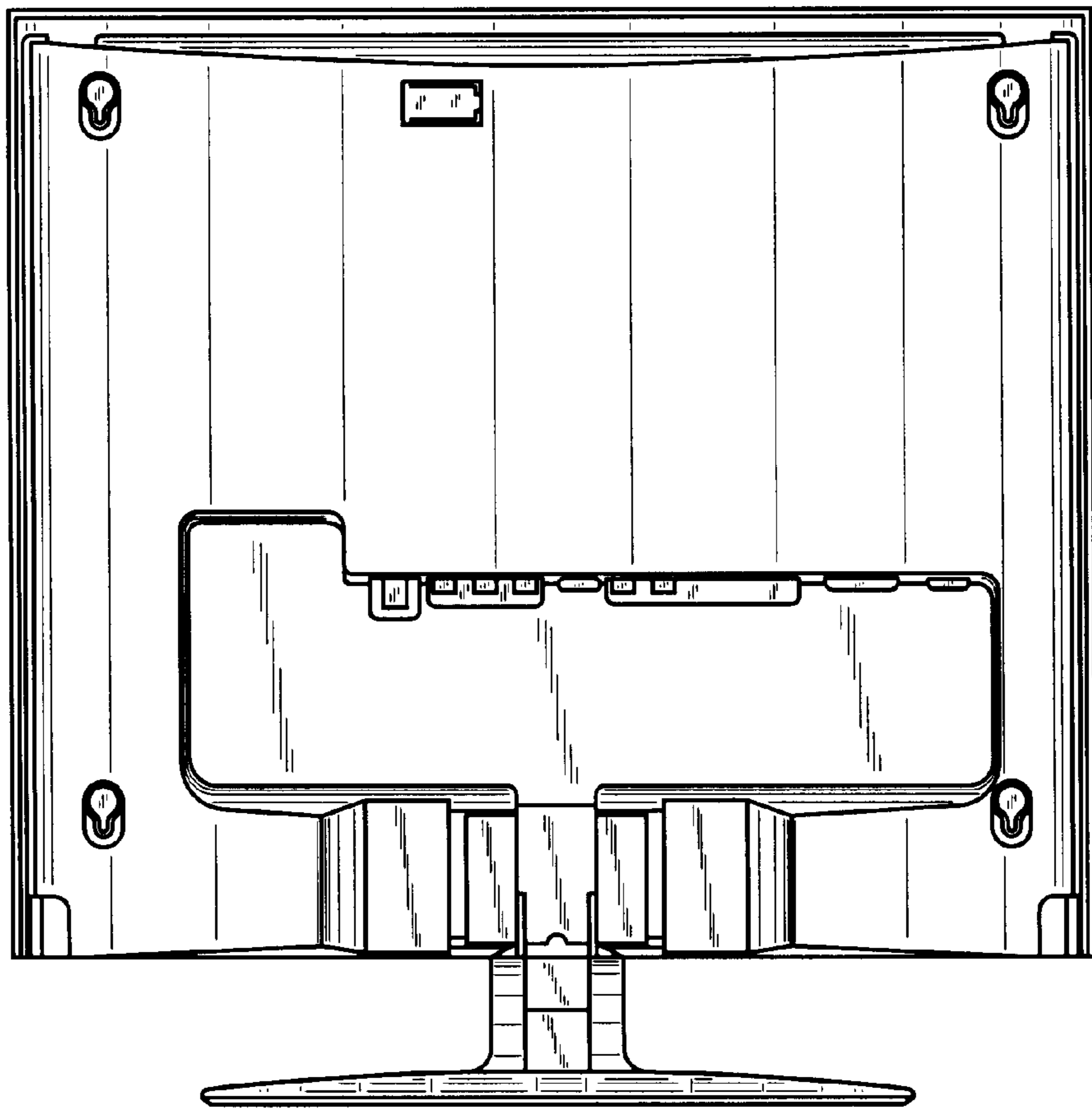


Fig. 8

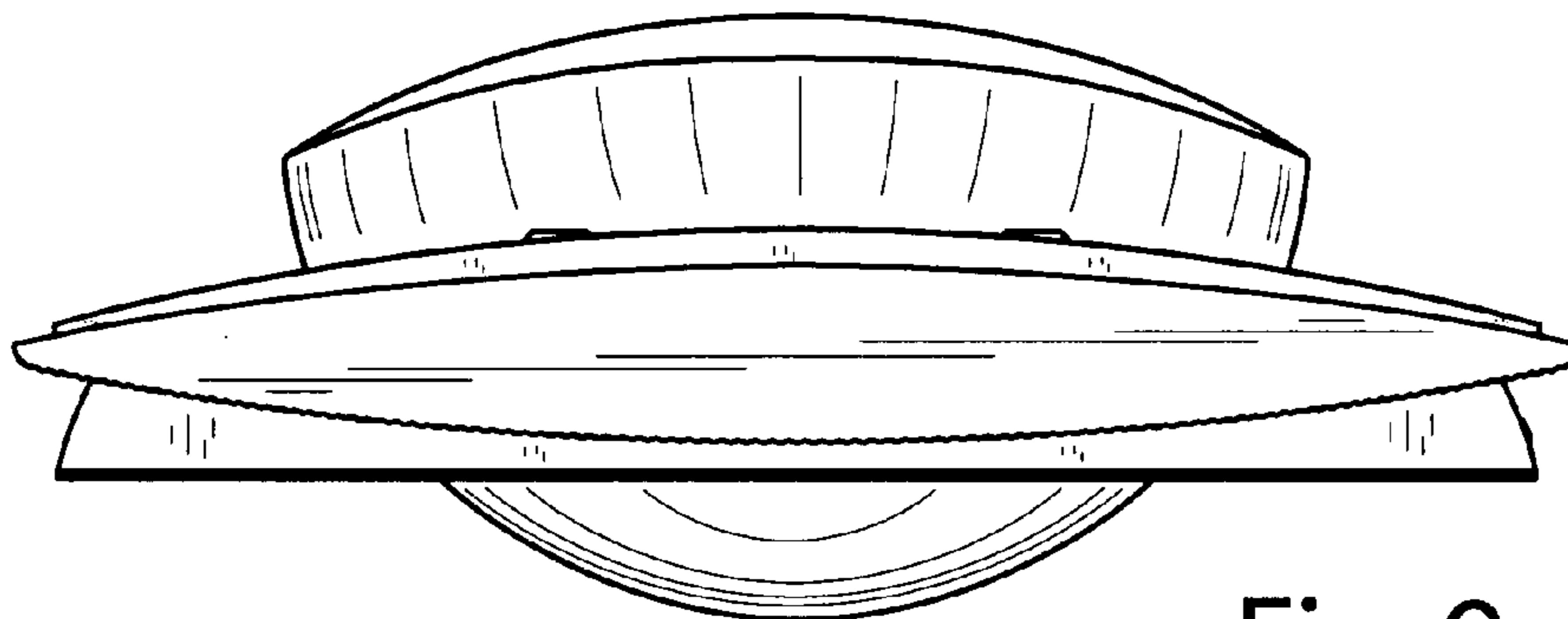


Fig. 9