



US00D474452S

(12) **United States Design Patent**  
**Kanatani**

(10) **Patent No.:** **US D474,452 S**

(45) **Date of Patent:** **\*\* May 13, 2003**

(54) **TELEVISION RECEIVER**

(75) **Inventor:** **Masakazu Kanatani, Tokyo (JP)**

(73) **Assignee:** **Sony Corporation, Tokyo (JP)**

(\*\*) **Term:** **14 Years**

(21) **Appl. No.:** **29/165,623**

(22) **Filed:** **Aug. 15, 2002**

(51) **LOC (7) Cl.** ..... **14-03**

(52) **U.S. Cl.** ..... **D14/126**

(58) **Field of Search** ..... **D14/125-136,**  
**D14/239, 371, 374, 375, 379; 312/7.2;**  
**348/836, 838, 180, 184, 325, 739; 248/917-924;**  
**349/1, 2, 11, 62**

(56) **References Cited**

**U.S. PATENT DOCUMENTS**

D350,346 S	*	9/1994	Takemasa	.....	D14/126
D357,864 S	*	5/1995	Bong et al.	.....	D14/126
D432,102 S		10/2000	Arie		
D454,845 S		3/2002	Niitsu		

**OTHER PUBLICATIONS**

Catalog, "99," p. 51, Sony (Nov. 2001).

Web page, "15/12 inch Liquid Crystal Display TV•LC-15A1-S/12A1-S," <http://www.sharp.co.jp/sc/eihon/Ic15a1/text/index.html>, 1 sheet, Sharp (Feb. 2002).

Web page, "15/12 inch Liquid Crystal Display TV•LC-20V10," <http://www.sharp.co.jp/sc/eihon/Ic20V10/index.html>, 1 sheet, Sharp (Feb. 2002).

Web page, "22 inch wide Liquid Crystal TV:TH-22LT1," <http://prodb.matsushita.co.jp/products/t/TH/TH-22LT-t.html>, 1 sheet, Matsushita (Feb. 2002).

Web page, "Combined DVD player with wide Liquid Crystal TV:TH-15LT1," <http://prodb.matsushita.co.jp/products/t/TH/TH-15LT-t.html>, 1 sheet, Matsushita (Feb. 2002).

\* cited by examiner

*Primary Examiner*—Raphael Barkai

(74) *Attorney, Agent, or Firm*—Rader, Fishman & Grauer PLLC

(57) **CLAIM**

The ornamental design for a television receiver, as shown.

**DESCRIPTION**

FIG. 1 is a perspective view of a television receiver showing my new design;

FIG. 2 is a front elevational view thereof;

FIG. 3 is a rear elevational view thereof;

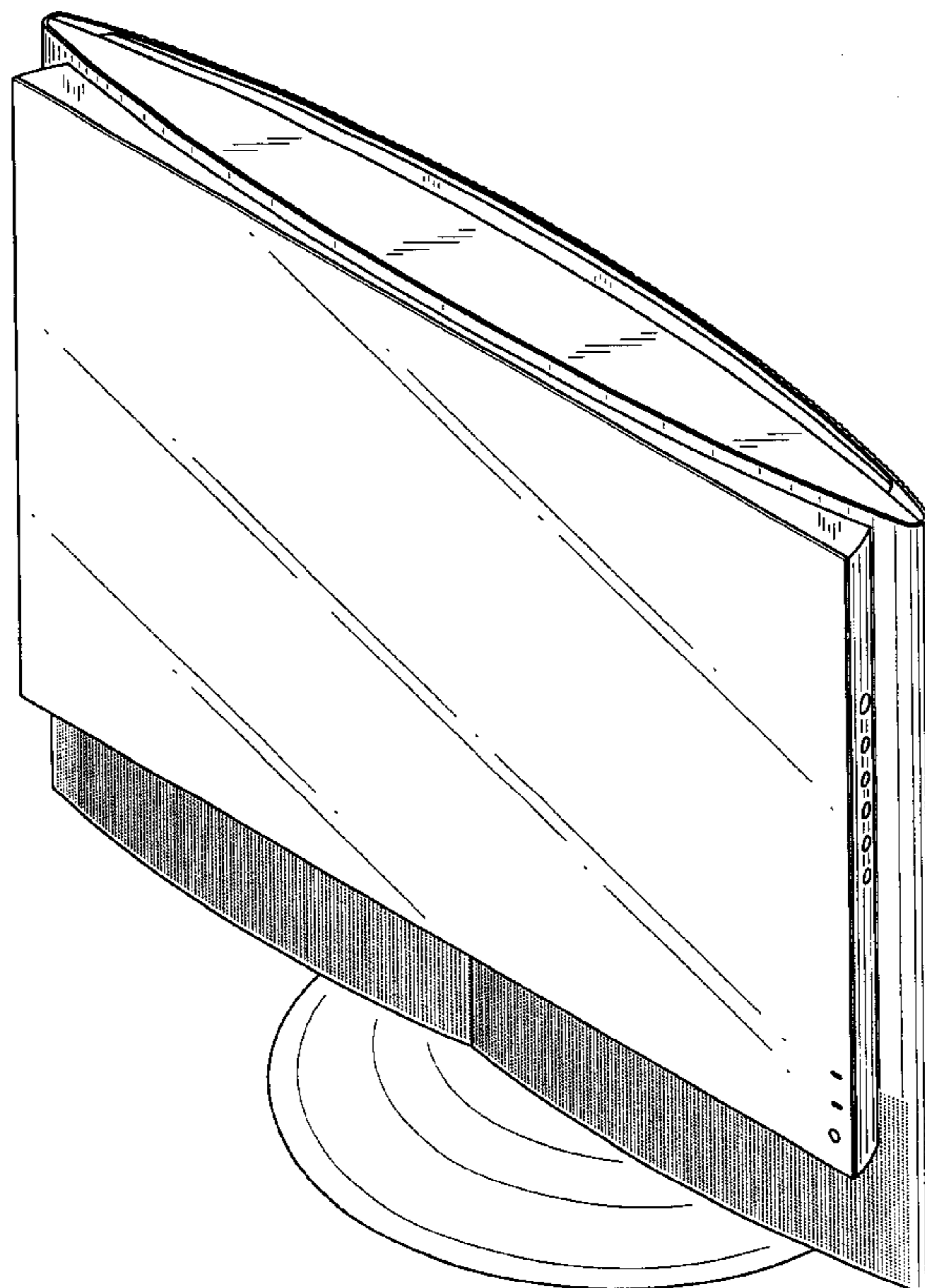
FIG. 4 is a left side elevational view thereof;

FIG. 5 is a right side elevational view thereof;

FIG. 6 is a top plan view thereof; and,

FIG. 7 is a bottom plan view thereof.

**1 Claim, 4 Drawing Sheets**



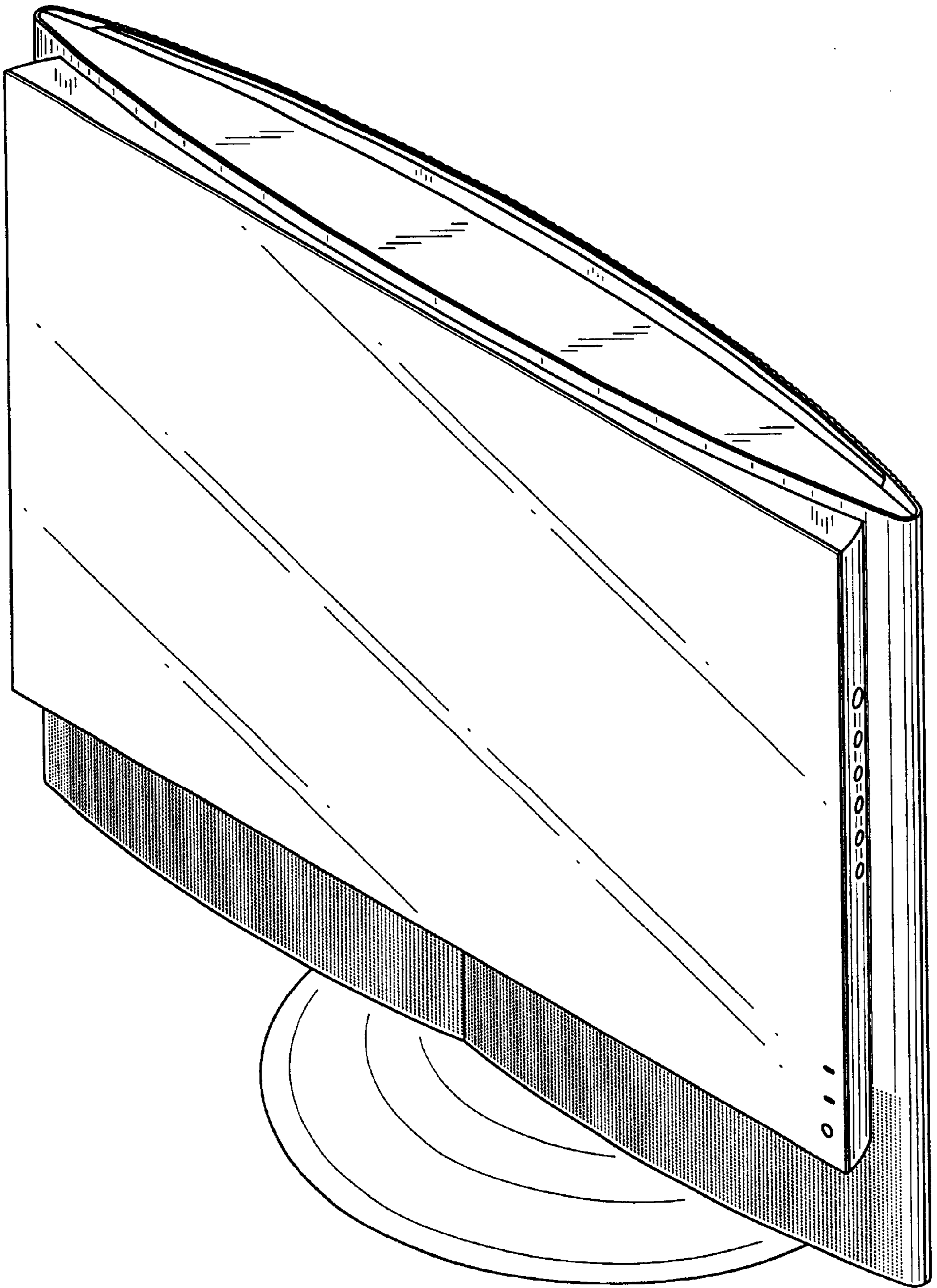


Fig. 1

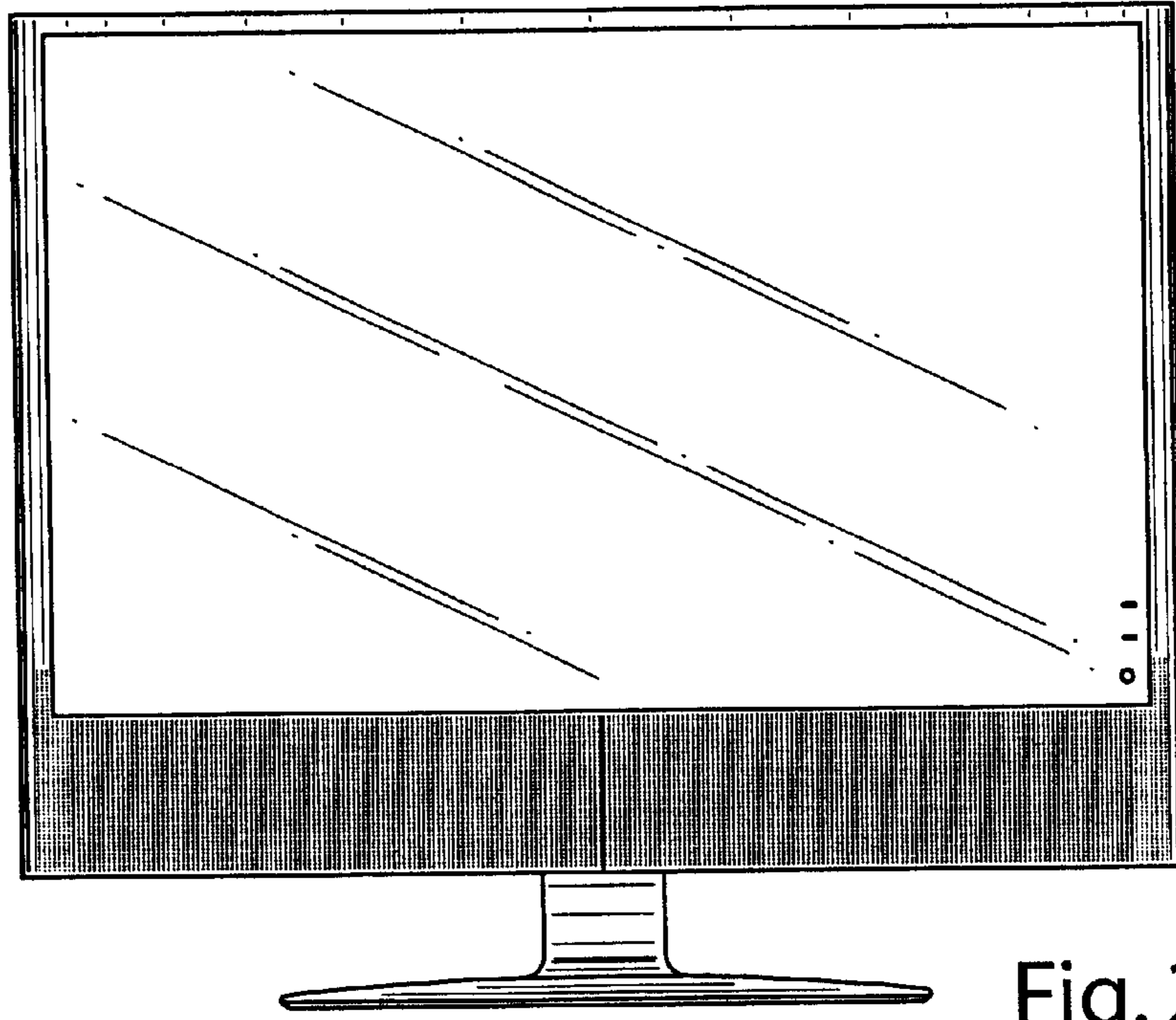


Fig. 2

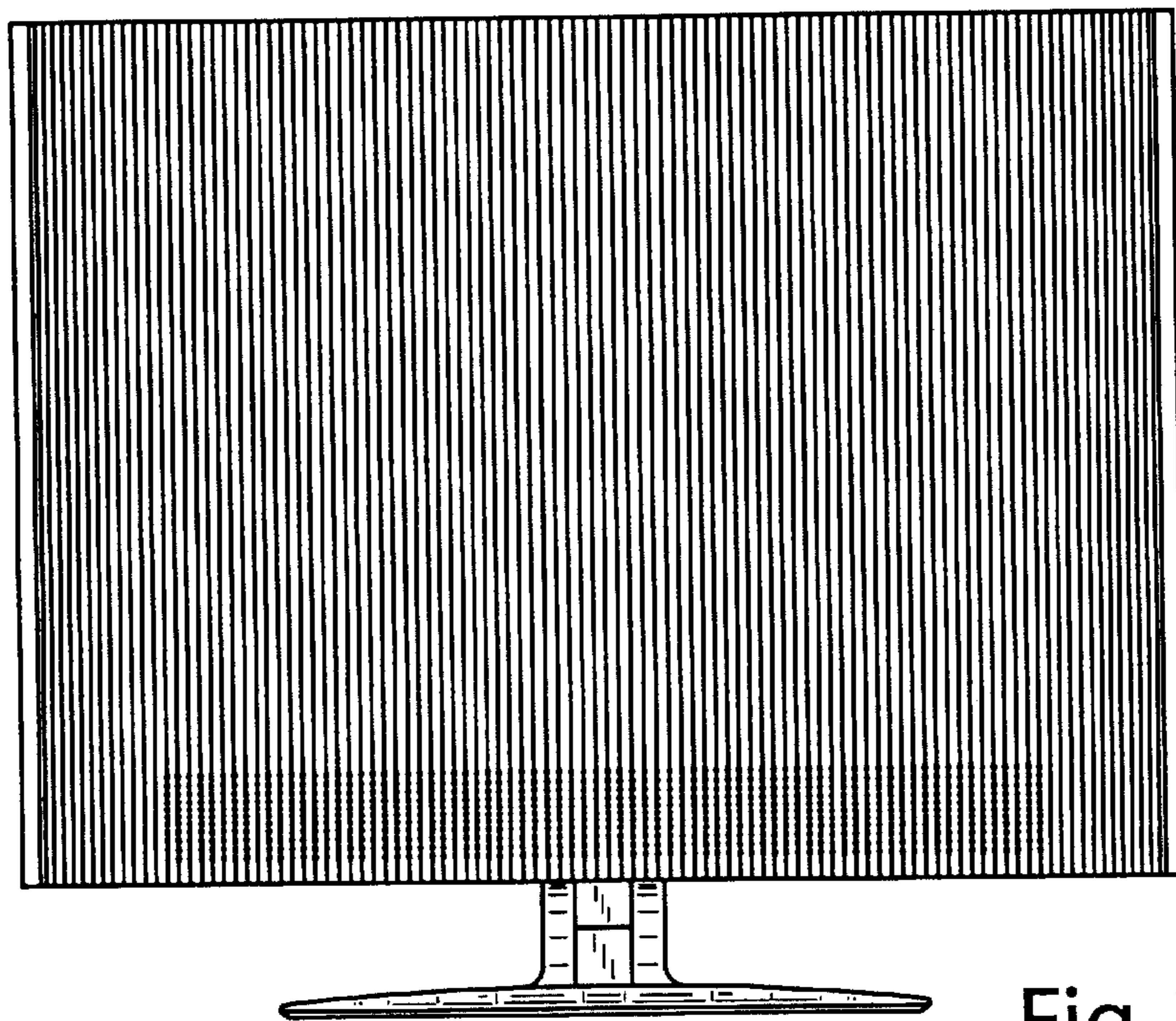


Fig. 3

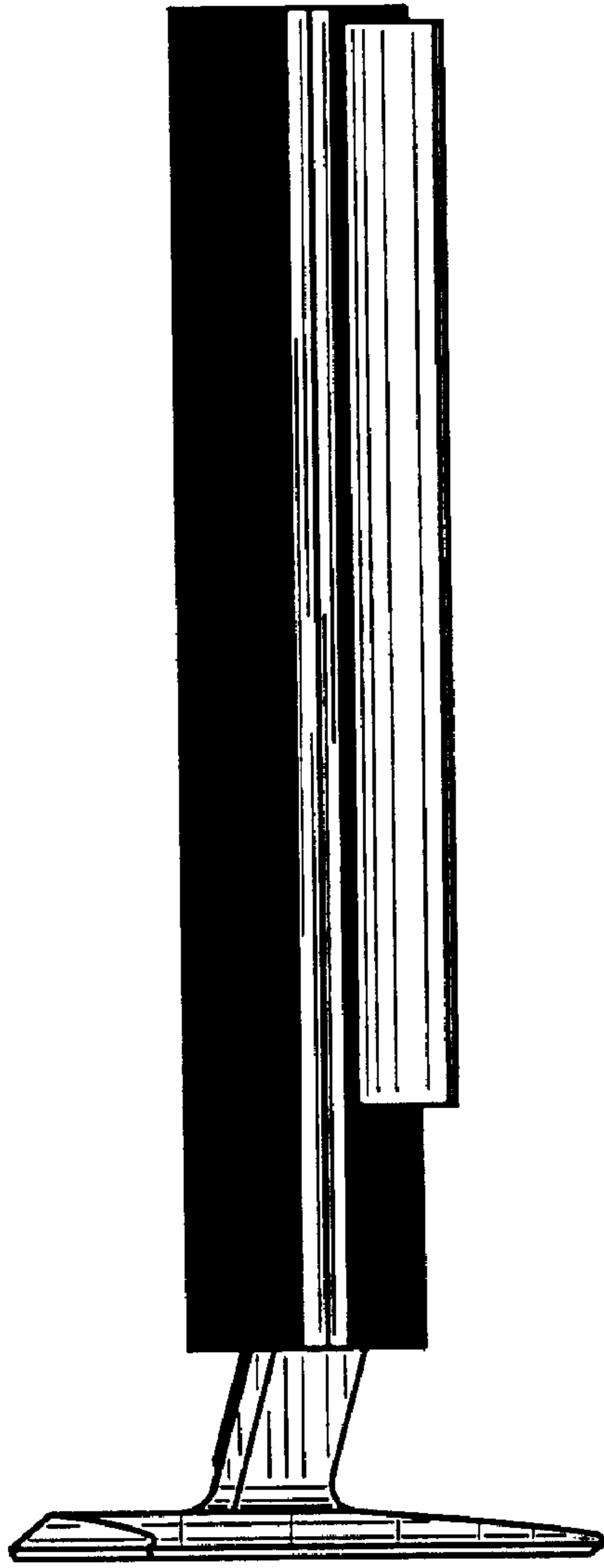


Fig. 4

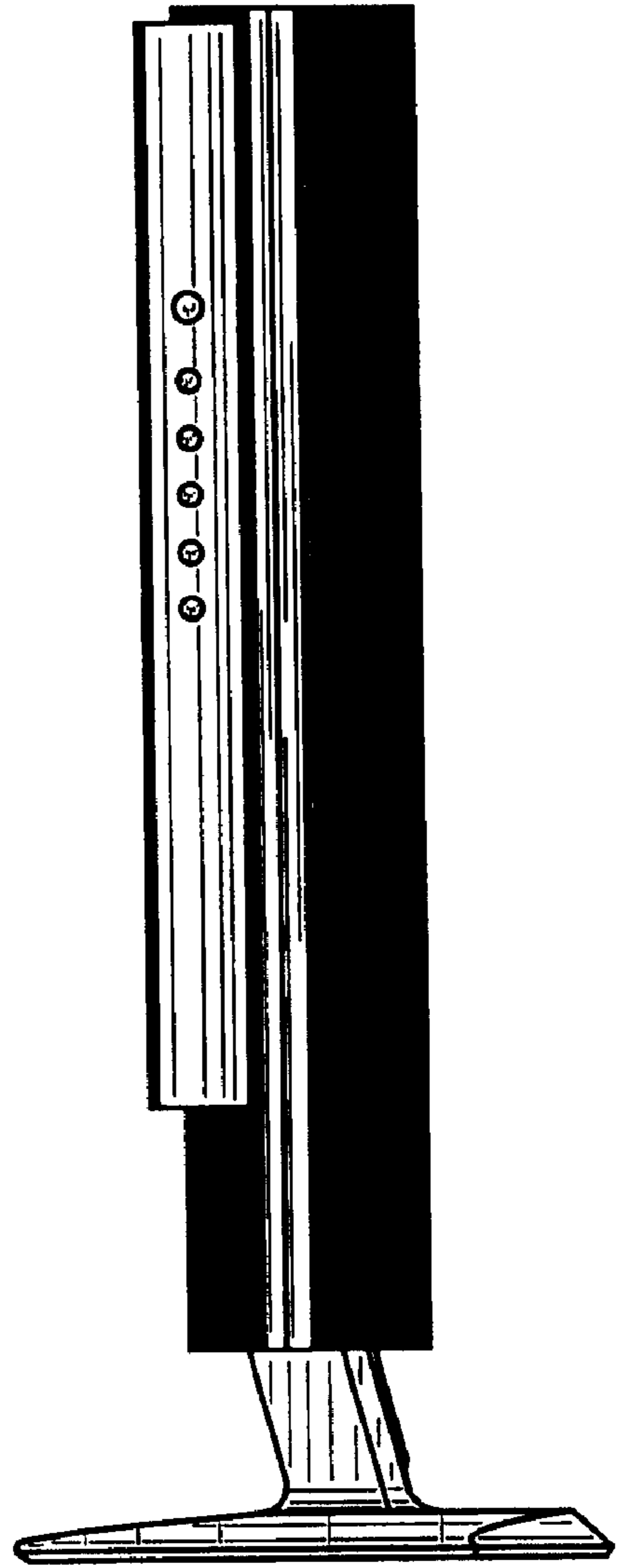


Fig. 5

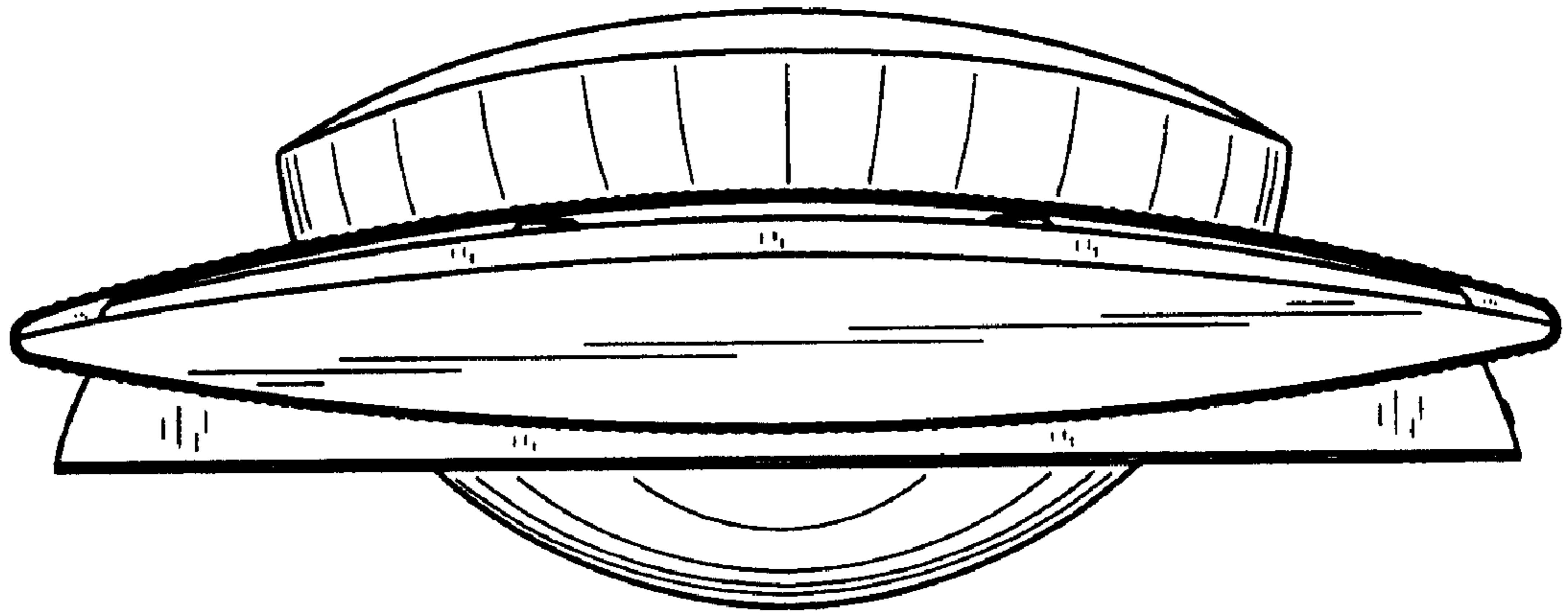


Fig. 6

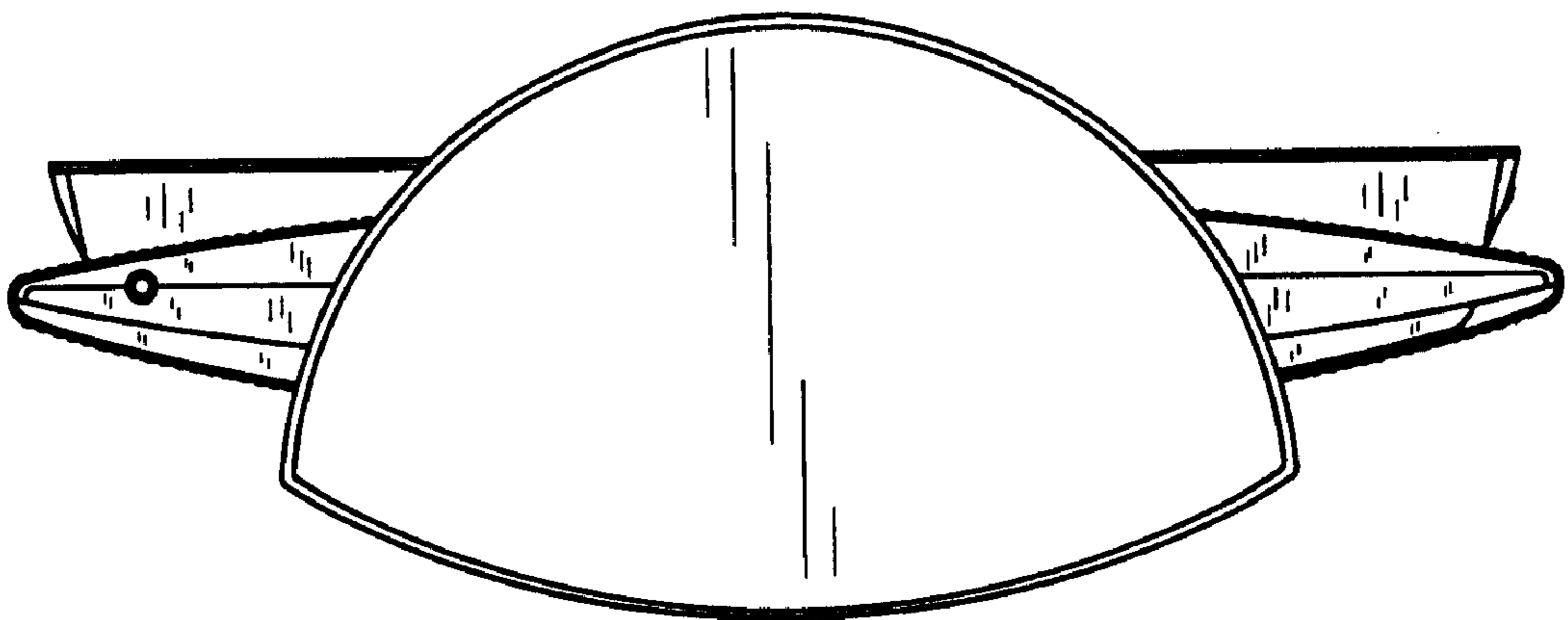


Fig. 7