



US00D474451S

(12) **United States Design Patent**
Liao

(10) **Patent No.:** **US D474,451 S**

(45) **Date of Patent:** **** May 13, 2003**

(54) **OPTICAL SWITCH EQUIPMENT**

(75) **Inventor:** **Chih-Yuan Liao, Tu-Chen (TW)**

(73) **Assignee:** **Hon Hai Precision Ind. Co., Ltd.,
Taipei Hsien (TW)**

(**) **Term:** **14 Years**

(21) **Appl. No.:** **29/152,156**

(22) **Filed:** **Dec. 13, 2001**

(30) **Foreign Application Priority Data**

Sep. 14, 2001 (TW) 90305958

(51) **LOC (7) Cl.** **13-03**

(52) **U.S. Cl.** **D13/158**

(58) **Field of Search** D13/158; 250/227.21,
250/551; 359/117, 118, 127, 128, 139;
385/16, 18, 19, 23, 184, 134, 135

(56) **References Cited**

U.S. PATENT DOCUMENTS

- 4,607,161 A * 8/1986 Anderson et al. 250/227.21
- 4,790,621 A * 12/1988 Calaby et al. 385/21
- 4,878,729 A * 11/1989 Stewart 385/18
- 5,042,889 A * 8/1991 Benzoni 385/16

- 5,642,446 A * 6/1997 Tsai 385/16
- D427,154 S * 6/2000 Wong D13/158
- 6,219,472 B1 * 4/2001 Horino et al. 385/16
- 6,269,214 B1 * 7/2001 Naudin et al. 385/135
- 6,366,714 B1 * 4/2002 DeBoynton et al. 385/16

* cited by examiner

Primary Examiner—Ted Shooman

Assistant Examiner—Selina Sikder

(74) *Attorney, Agent, or Firm*—Wei Te Chung

(57) **CLAIM**

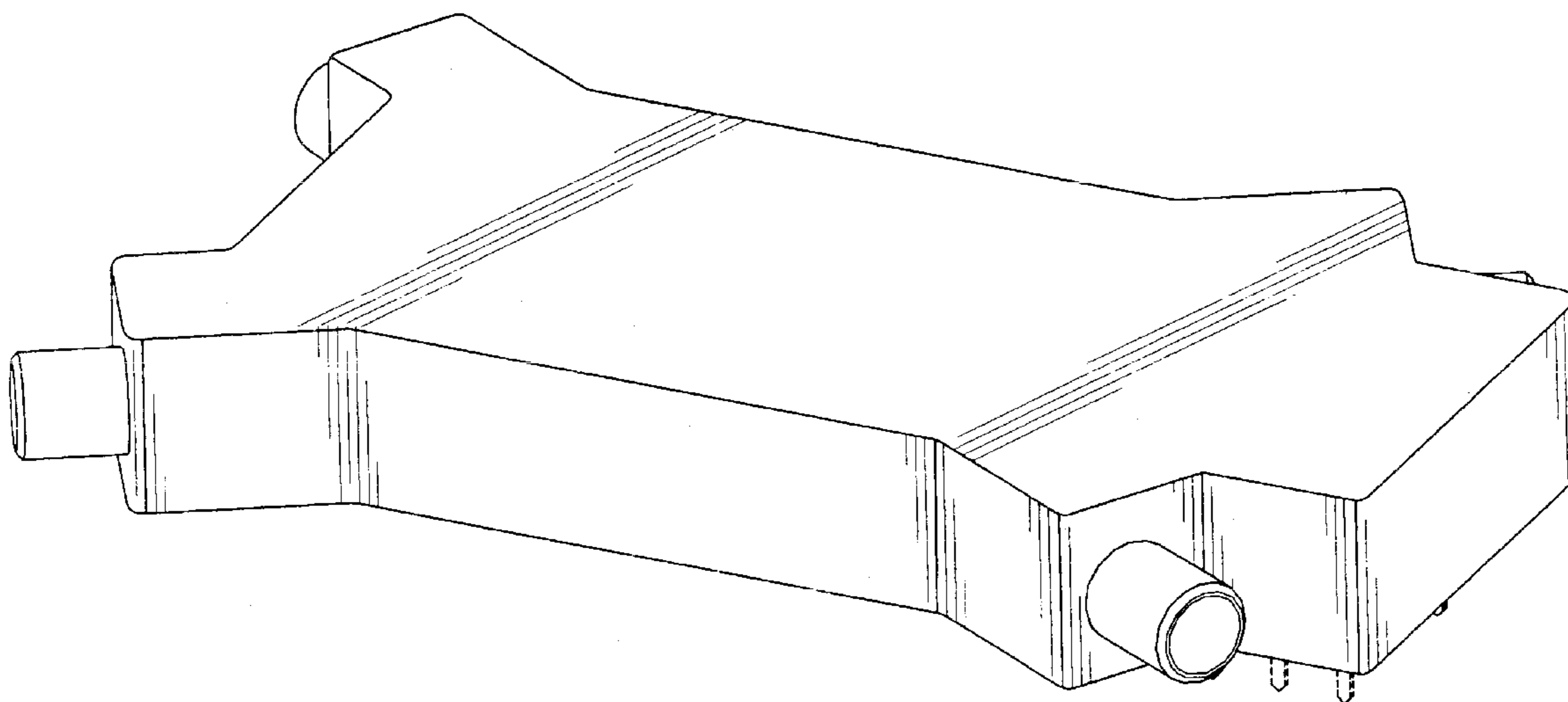
The ornamental design of an optical switch equipment, as shown and described.

DESCRIPTION

FIG. 1 is a front, top and right side perspective view of an optical switch equipment showing our new design;
 FIG. 2 is a front elevational view thereof;
 FIG. 3 is a rear elevational view thereof;
 FIG. 4 is a left side elevational view thereof;
 FIG. 5 is a right side elevational view thereof;
 FIG. 6 is a top plan view thereof; and,
 FIG. 7 is a bottom plan view thereof.

The broken line showing of the environment is for illustrative purpose only and forms not part of the claimed design.

1 Claim, 6 Drawing Sheets



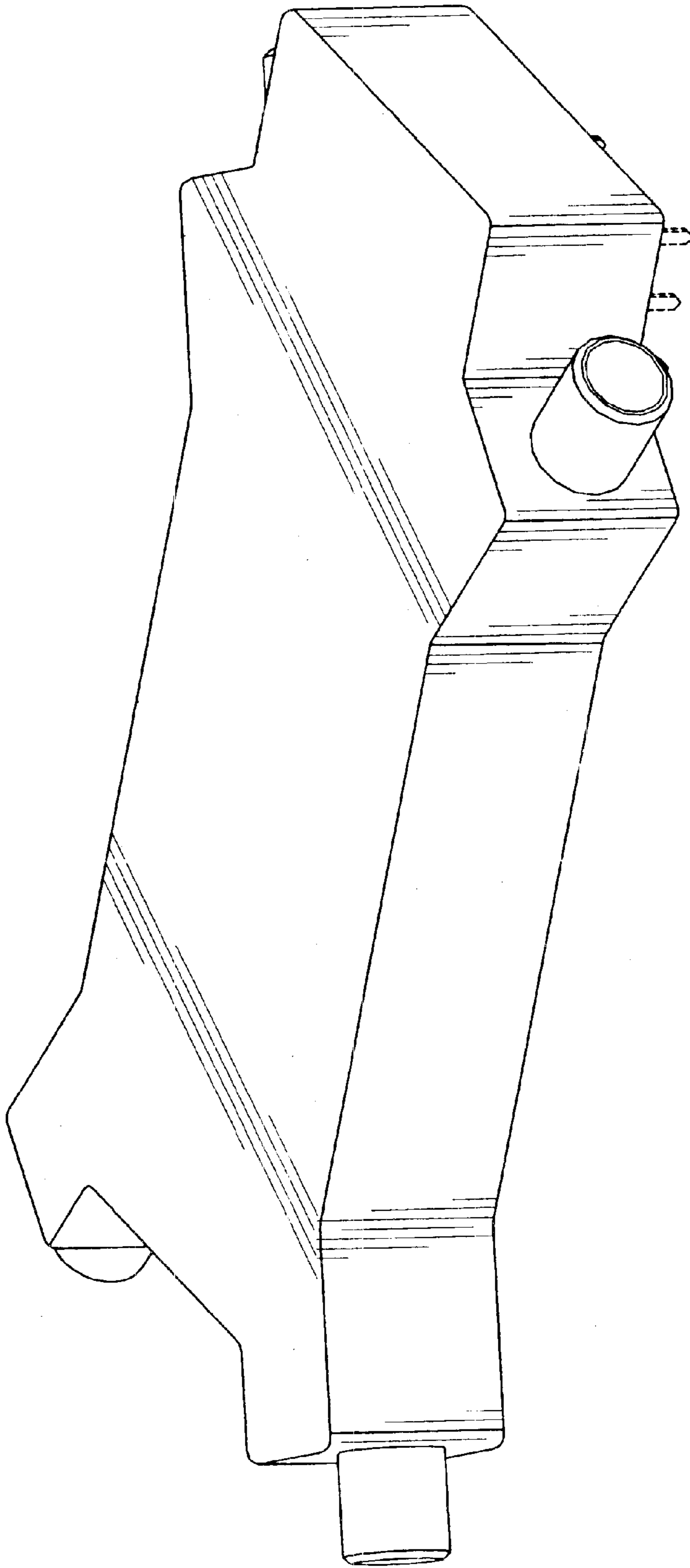


FIG. 1

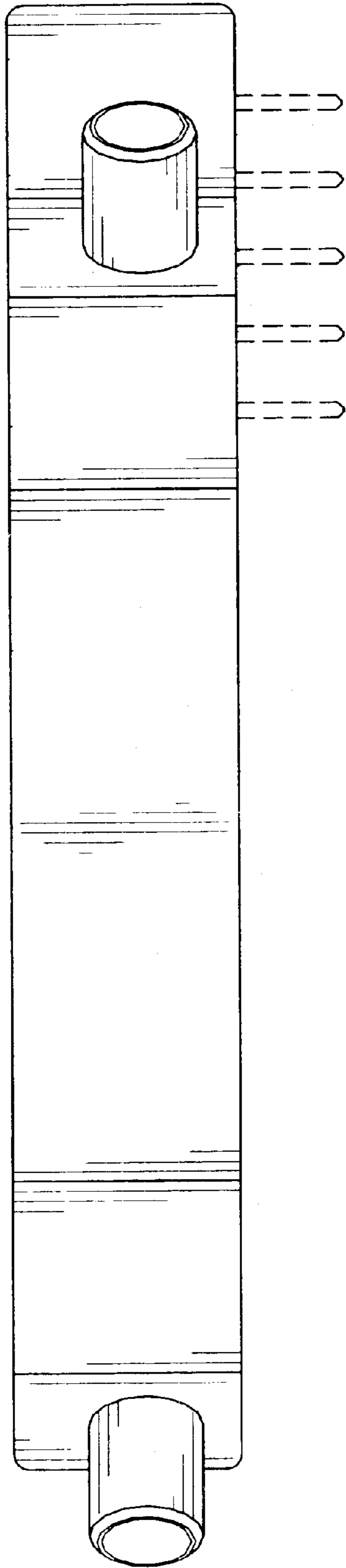


FIG. 2

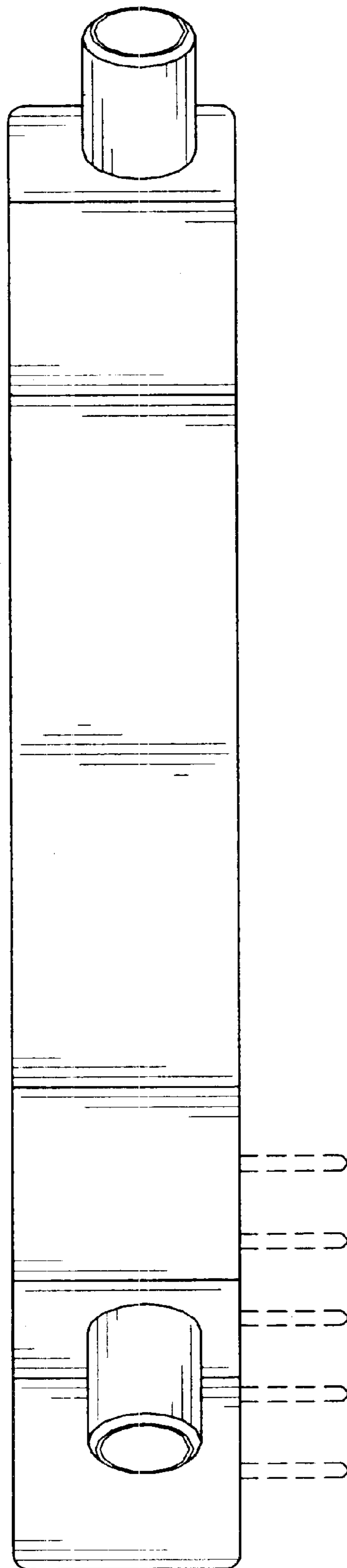


FIG. 3

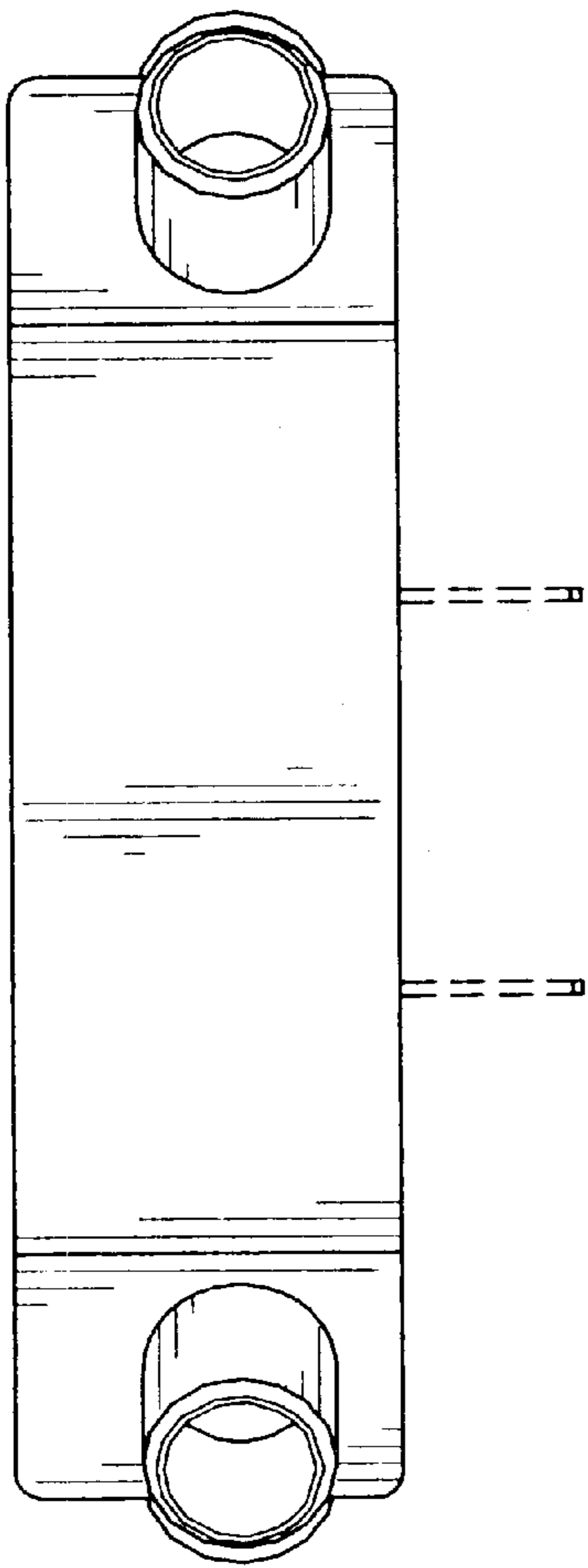


FIG. 4

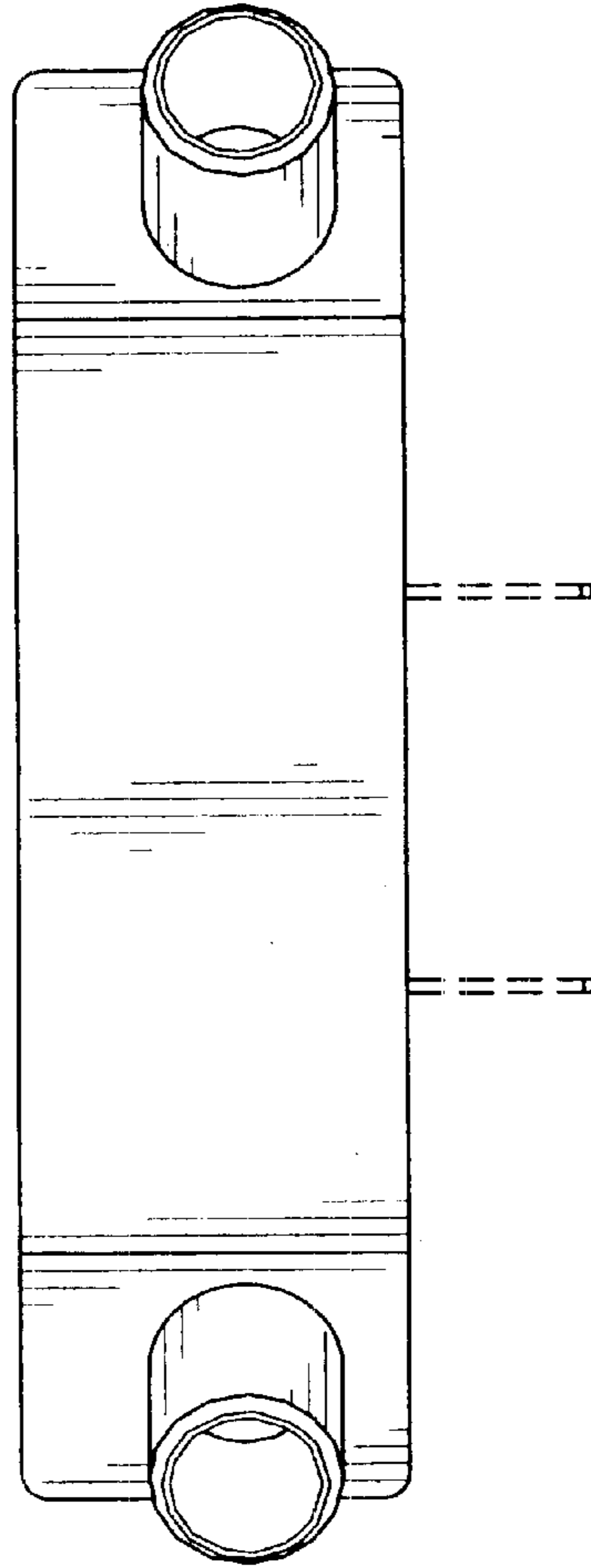


FIG. 5

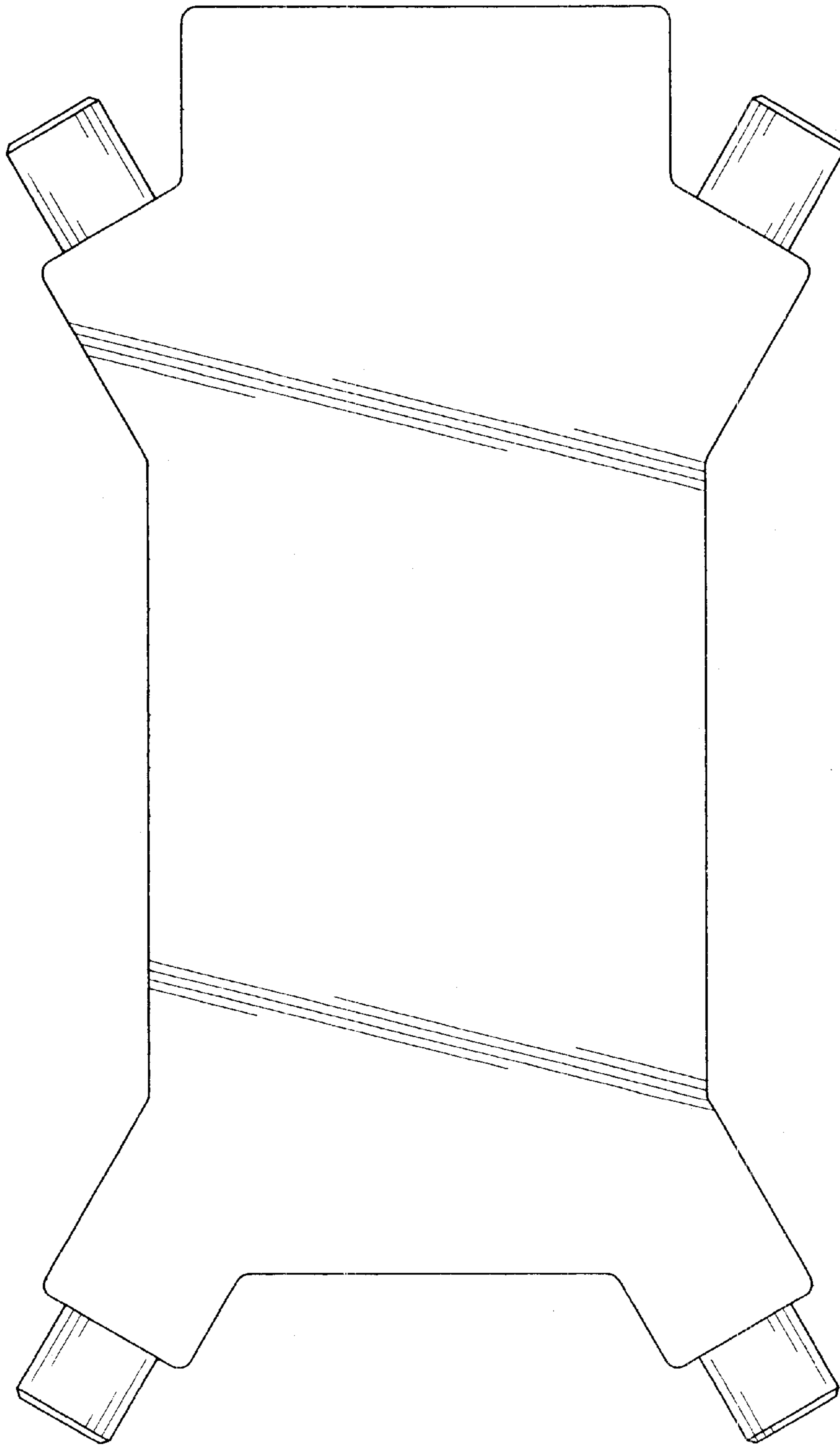


FIG. 6

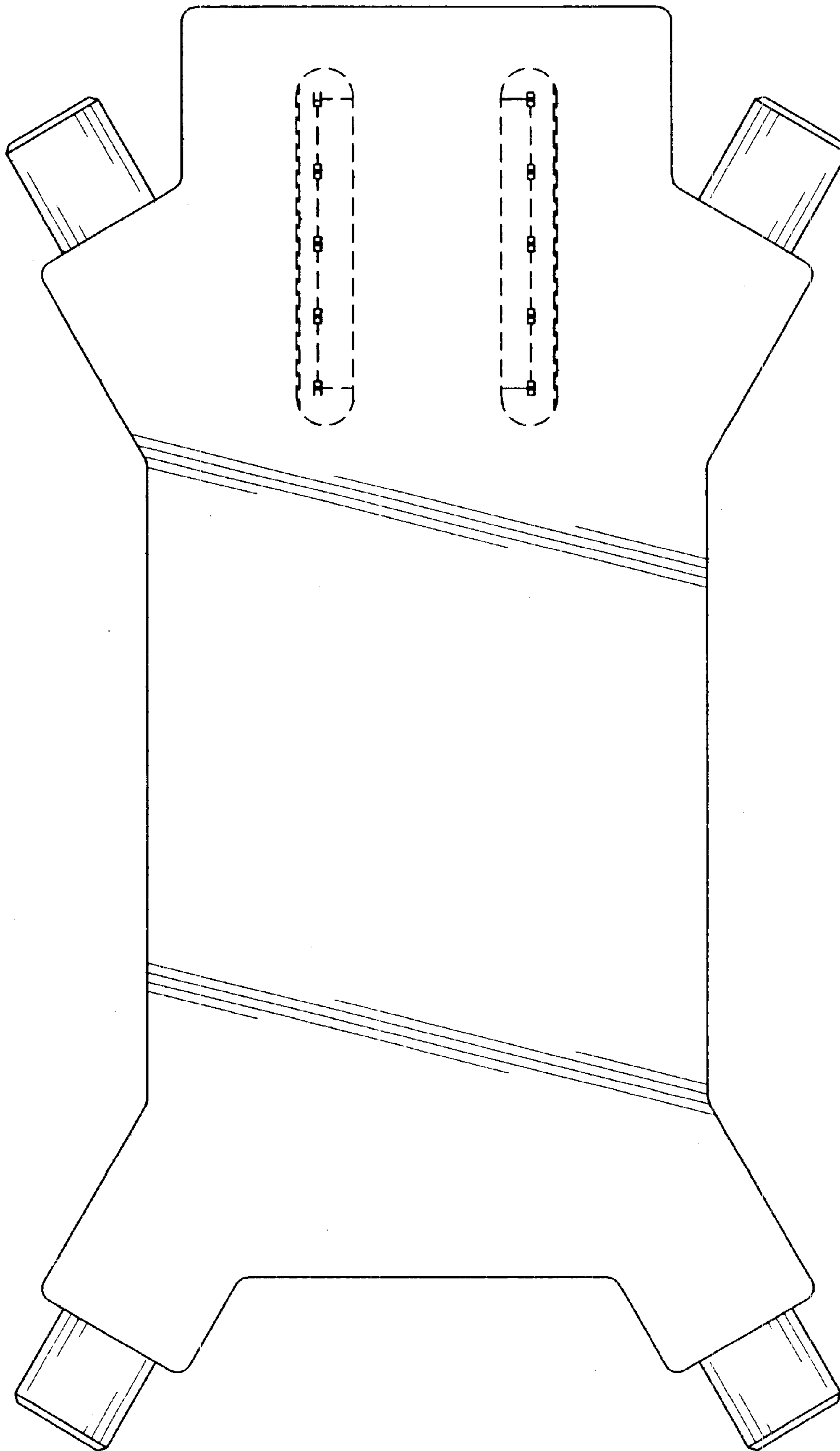


FIG. 7