



US00D47447S

(12) **United States Design Patent**
Kano

(10) **Patent No.:** **US D474,447 S**

(45) **Date of Patent:** **** May 13, 2003**

(54) **ELECTRICAL CONNECTOR HOUSING**

(75) Inventor: **Mieko Kano**, Toyama (JP)

(73) Assignee: **SMK Corporation**, Tokyo (JP)

(**) Term: **14 Years**

(21) Appl. No.: **29/162,679**

(22) Filed: **Jun. 20, 2002**

(30) **Foreign Application Priority Data**

Dec. 21, 2001 (JP) 2001-037584

(51) **LOC (7) Cl.** **13-03**

(52) **U.S. Cl.** **D13/133**

(58) **Field of Search** D13/133; 439/248,
439/680

(56) **References Cited**

U.S. PATENT DOCUMENTS

- 3,824,524 A * 7/1974 Glover 439/680 X
- 4,093,332 A * 6/1978 Simko 439/293
- D253,409 S * 11/1979 Voelkert D13/133
- 4,311,355 A * 1/1982 Plyer et al. 439/274

- D271,196 S * 11/1983 Tetreault D13/133
- 4,762,388 A * 8/1988 Tanaka et al. D13/133 X
- D347,208 S * 5/1994 Martin et al. D13/133
- 5,692,080 A * 11/1997 Lu 385/60
- D434,377 S * 11/2000 Bussett et al. D13/133
- 6,257,938 B1 * 7/2001 Day et al. 439/723

* cited by examiner

Primary Examiner—Joel Sincavage

(74) *Attorney, Agent, or Firm*—Sughrue Mion, PLLC

(57) **CLAIM**

The ornamental design for an electrical connector housing, as shown.

DESCRIPTION

FIG. 1 is a perspective view of the top, front and right side of an electrical connector housing showing my new design; FIG. 2 is a front elevational view thereof; FIG. 3 is a rear elevational view thereof; FIG. 4 is a top plan view thereof; FIG. 5 is a bottom plan view thereof; FIG. 6 is a left side elevational view thereof; and, FIG. 7 is a right side elevational view thereof.

1 Claim, 2 Drawing Sheets

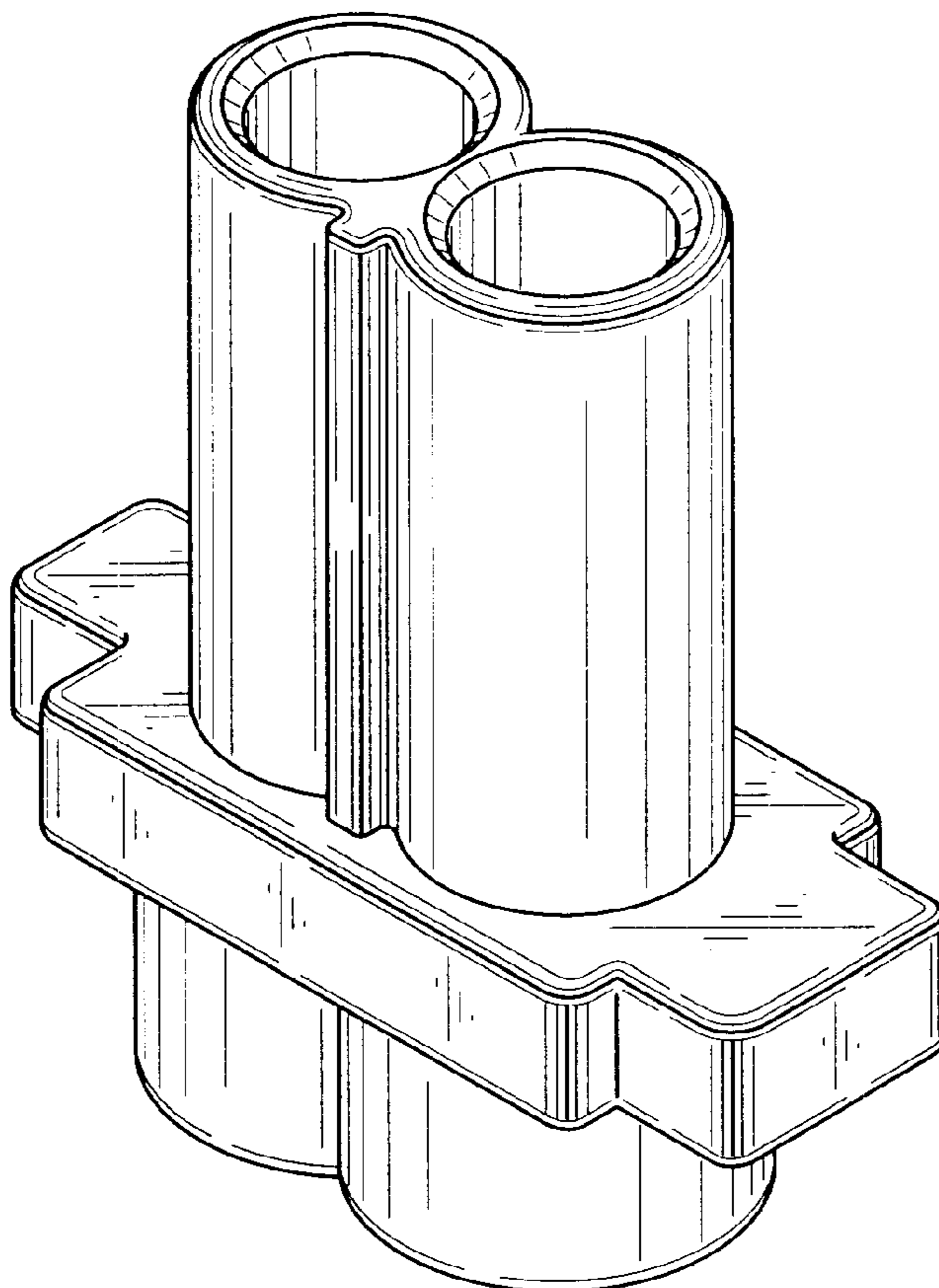


FIG. 1

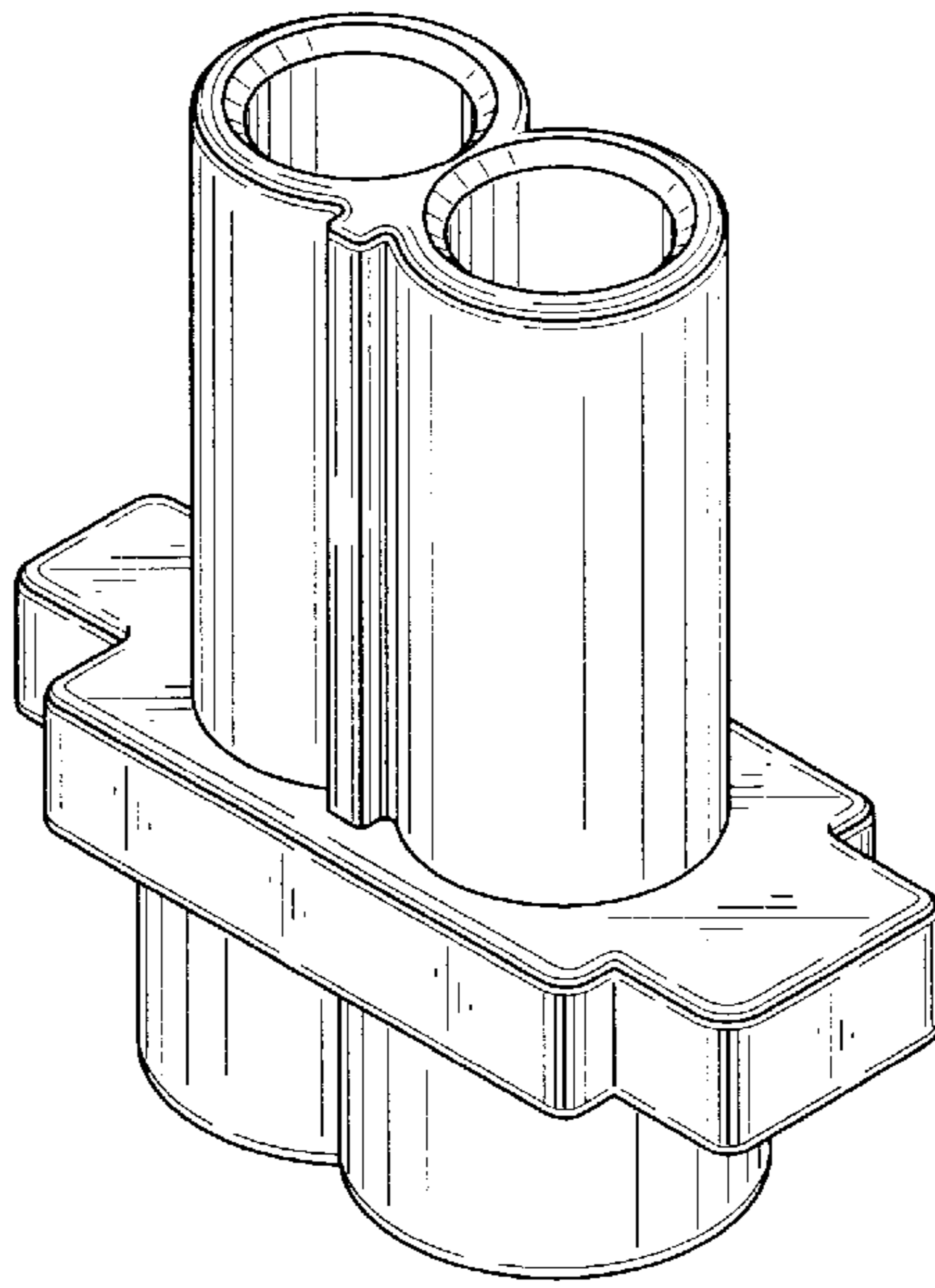


FIG. 2

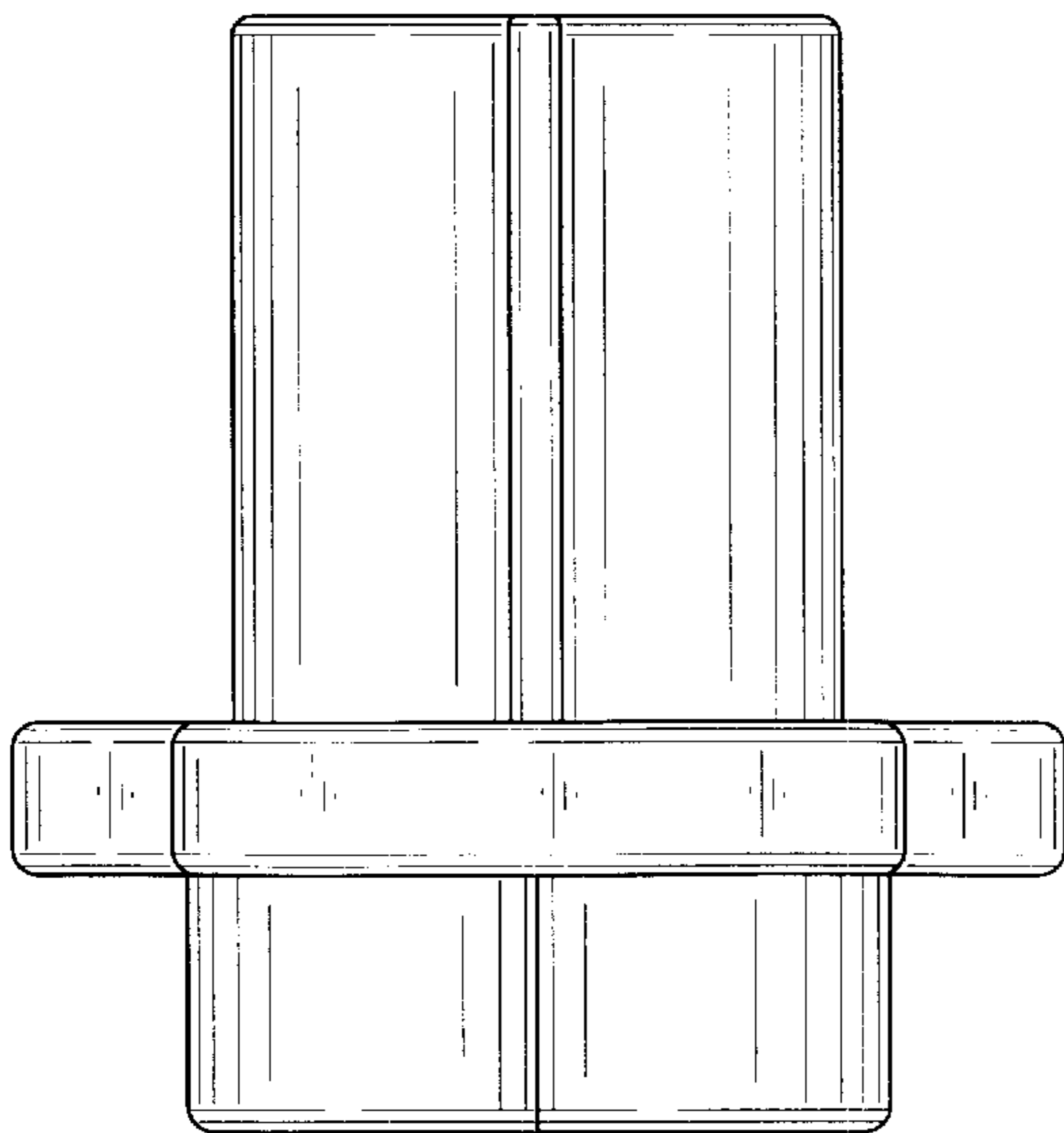


FIG. 3

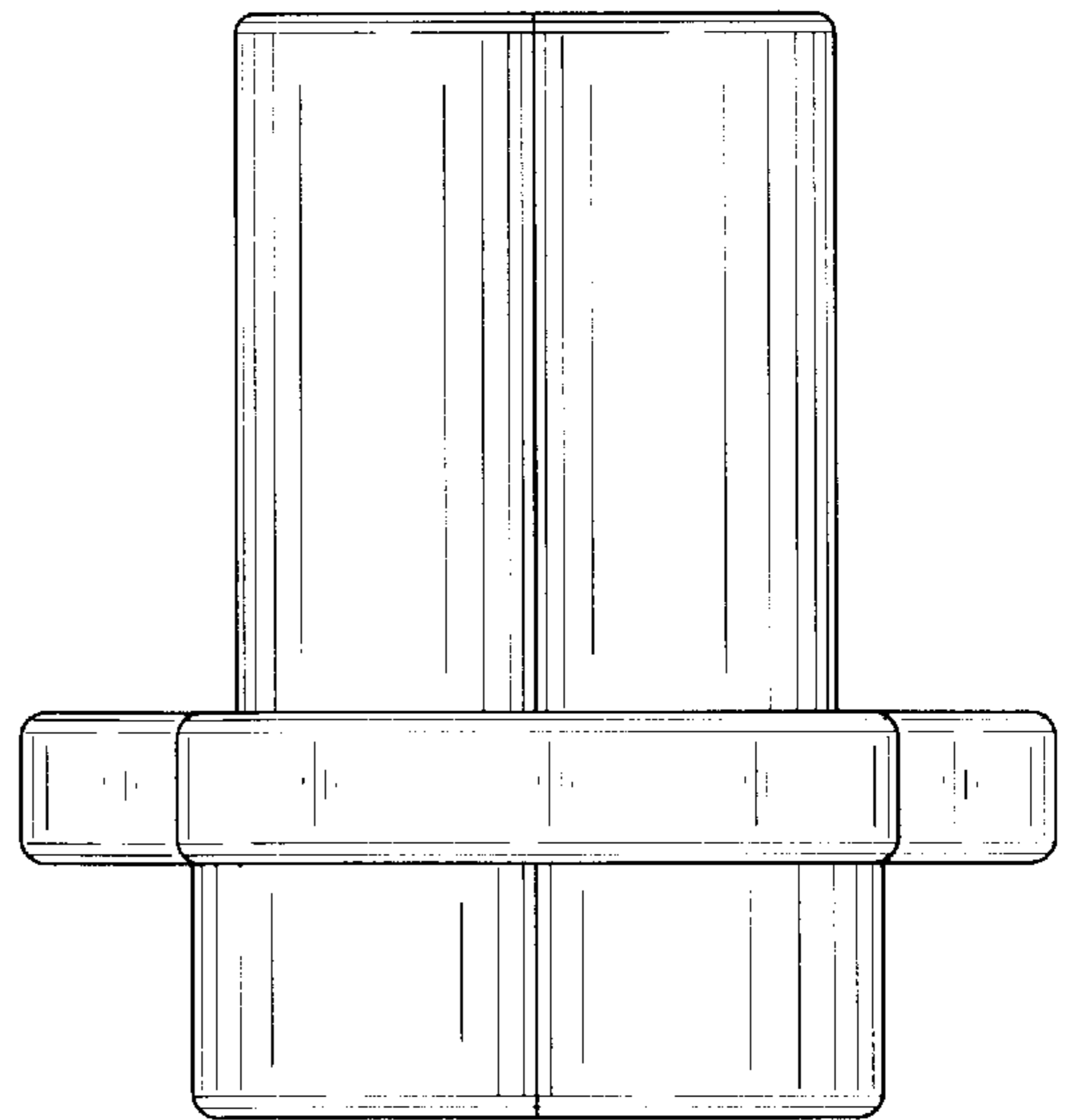


FIG. 4

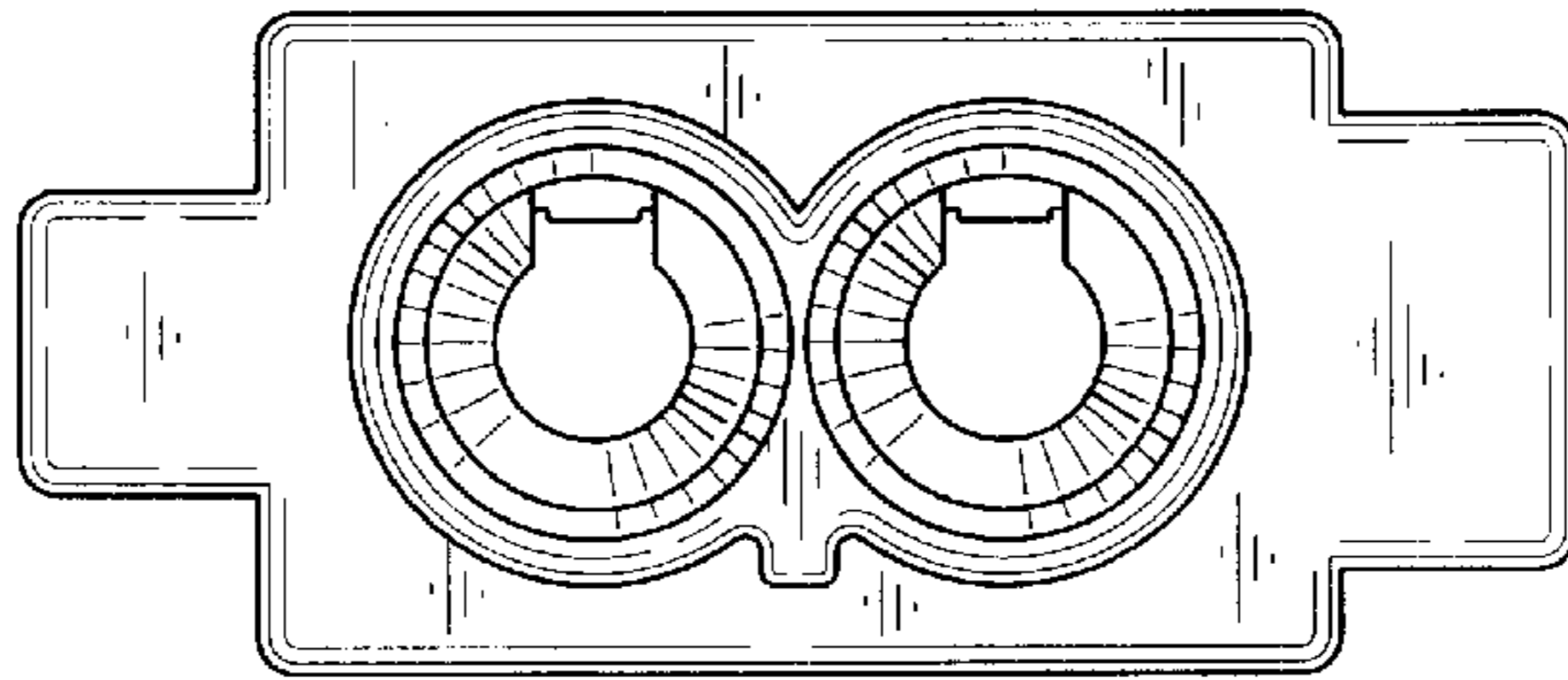


FIG. 5

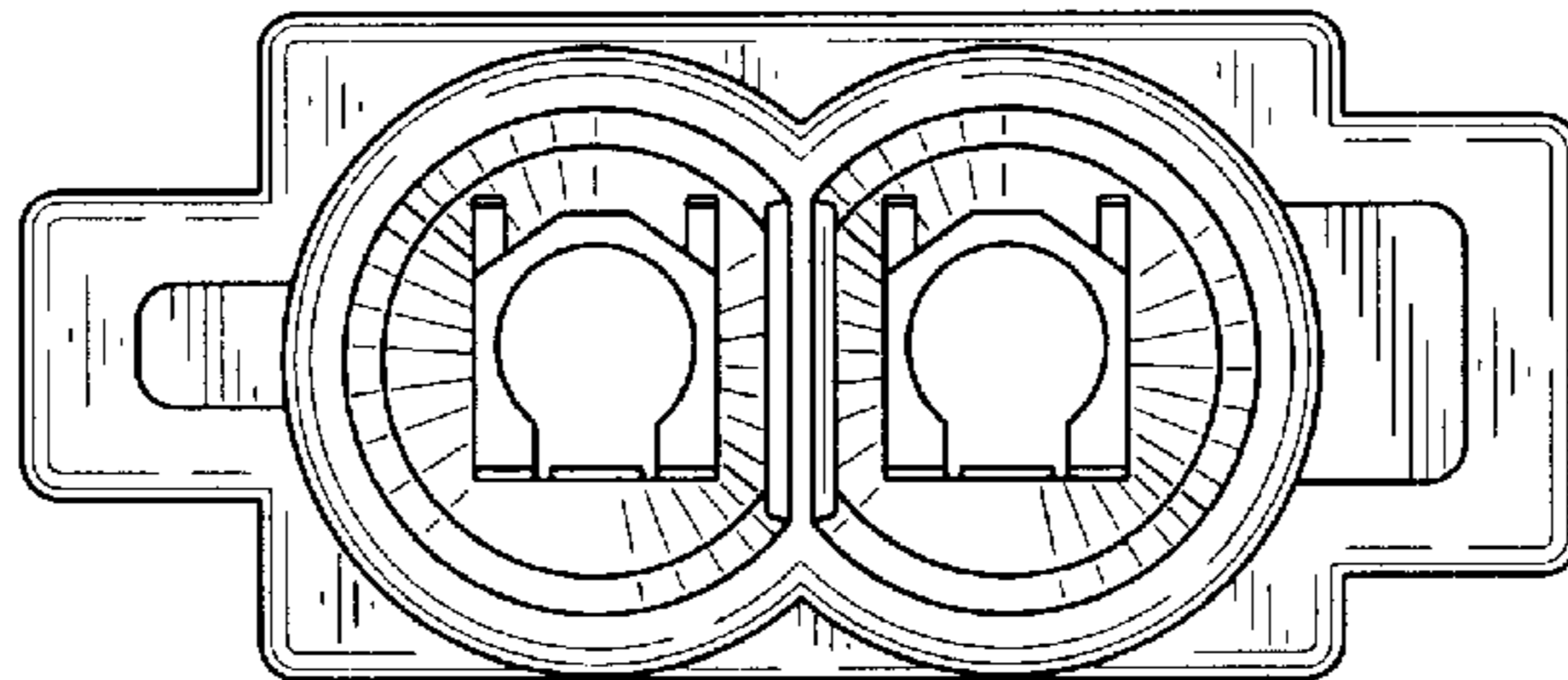


FIG. 6

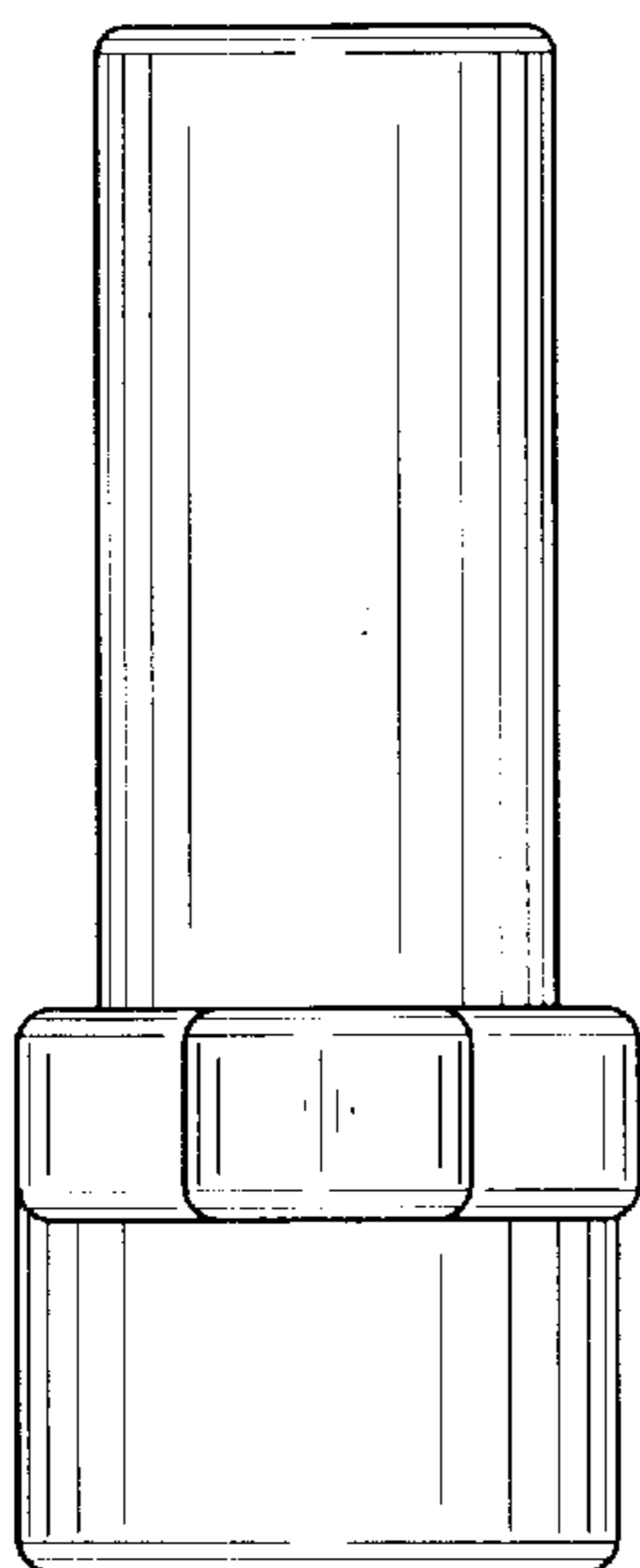


FIG. 7

