



US00D474445S

(12) **United States Design Patent**
Matsuoka et al.

(10) **Patent No.:** **US D474,445 S**

(45) **Date of Patent:** **** May 13, 2003**

(54) **STORAGE BATTERY**

(75) Inventors: **Takeshi Matsuoka**, Ibaraki (JP);
Yoshio Iimura, Ibaraki (JP); **Shigeru Takahashi**, Ibaraki (JP)

(73) Assignee: **Hiatchi Koki Co., Ltd.**, Tokyo (JP)

(**) Term: **14 Years**

(21) Appl. No.: **29/144,064**

(22) Filed: **Jun. 26, 2001**

(30) **Foreign Application Priority Data**

Dec. 27, 2000 (JP) 2000-037343

(51) **LOC (7) Cl.** **13-03**

(52) **U.S. Cl.** **D13/103**

(58) **Field of Search** D13/103; D8/68;
429/96-100; 310/50; 320/107, 112, 114

(56) **References Cited**

U.S. PATENT DOCUMENTS

D295,714 S * 5/1988 Sasaki et al. D8/68

D304,822 S * 11/1989 Fushiya et al. D13/103
D321,338 S * 11/1991 Sakamoto et al. D13/103
D412,485 S * 8/1999 Kato et al. D13/103
6,007,939 A * 12/1999 Clowers 429/99

* cited by examiner

Primary Examiner—Joel Sincavage

(74) *Attorney, Agent, or Firm*—Sughrue Mion, PLLC

(57) **CLAIM**

The ornamental design for a storage battery, as shown.

DESCRIPTION

FIG. 1 is a perspective view of the top, front, and left side of a storage battery showing our new design;

FIG. 2 is a front view thereof;

FIG. 3 is a rear view thereof;

FIG. 4 is a left side view thereof;

FIG. 5 is a right side view thereof;

FIG. 6 is a top view thereof; and,

FIG. 7 is a bottom view thereof.

1 Claim, 7 Drawing Sheets

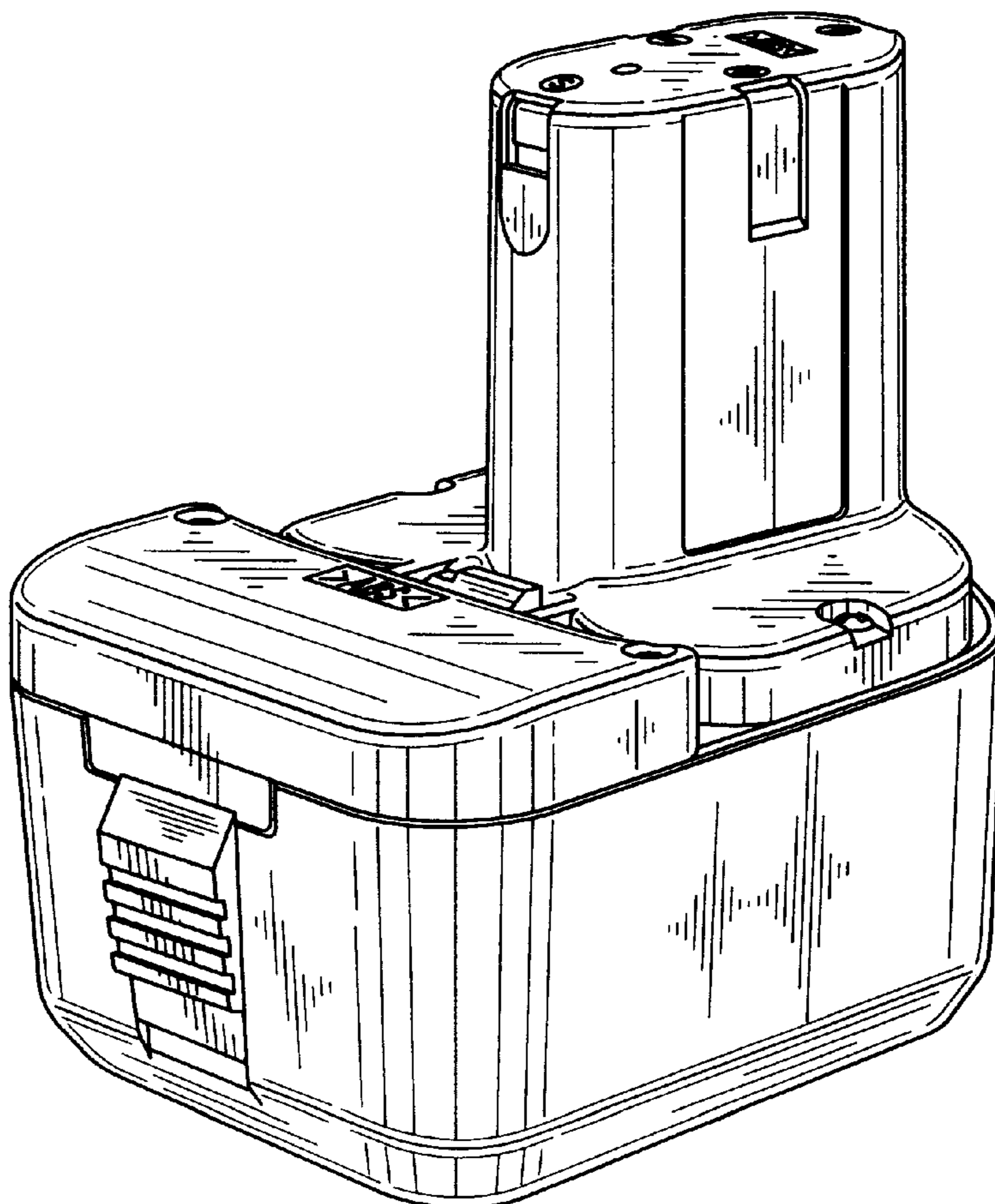


FIG. 1

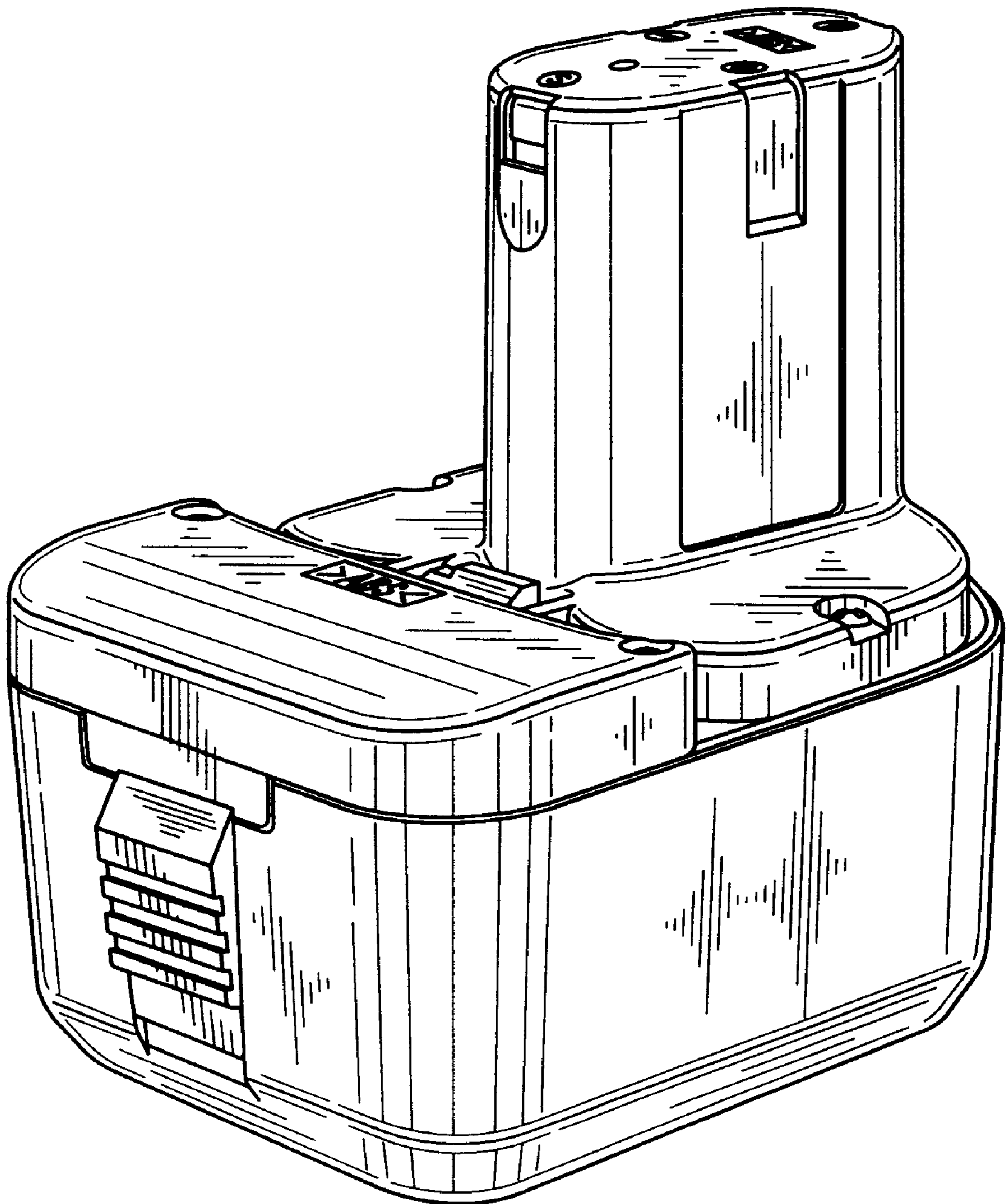


FIG. 2

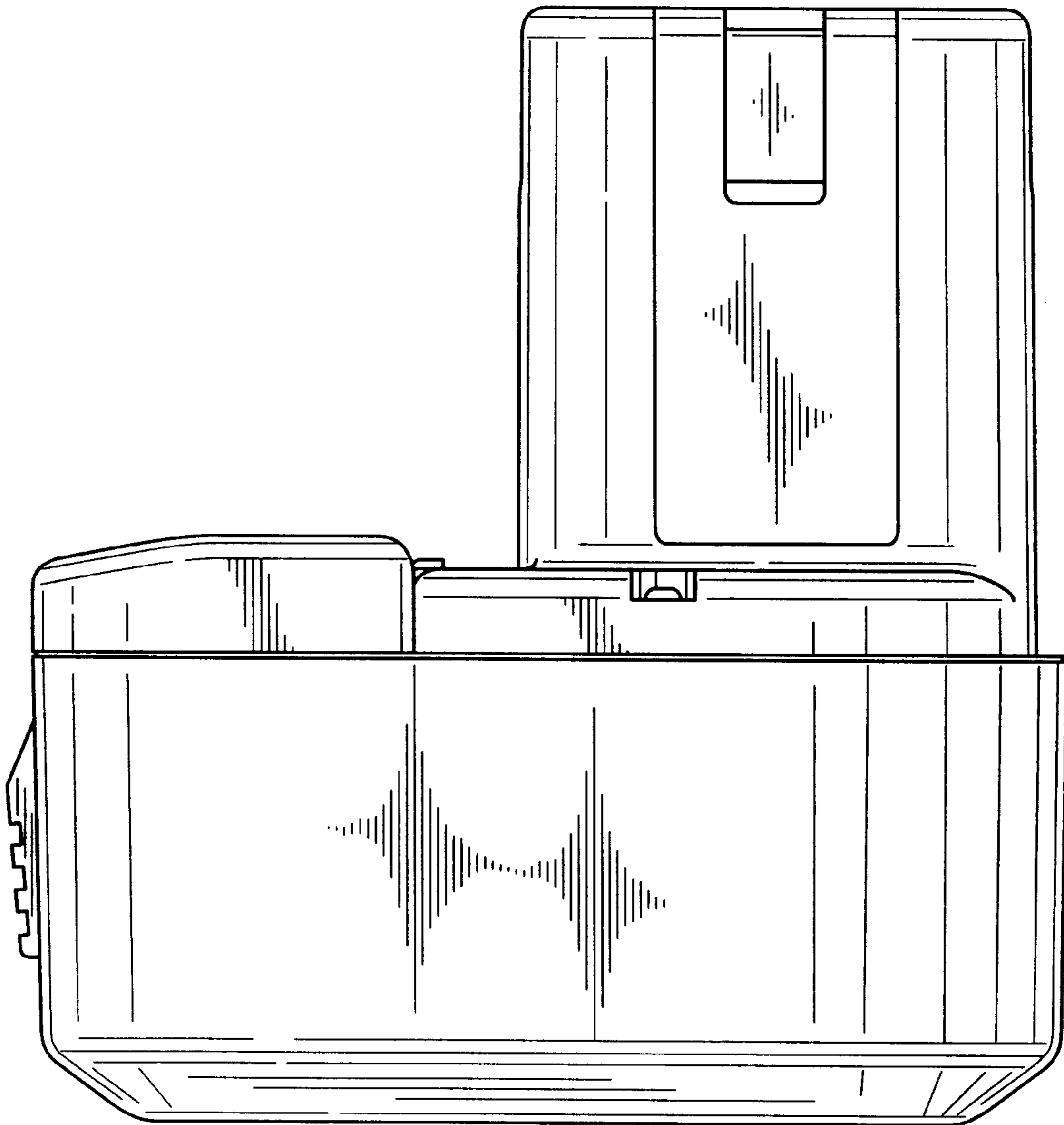


FIG. 3

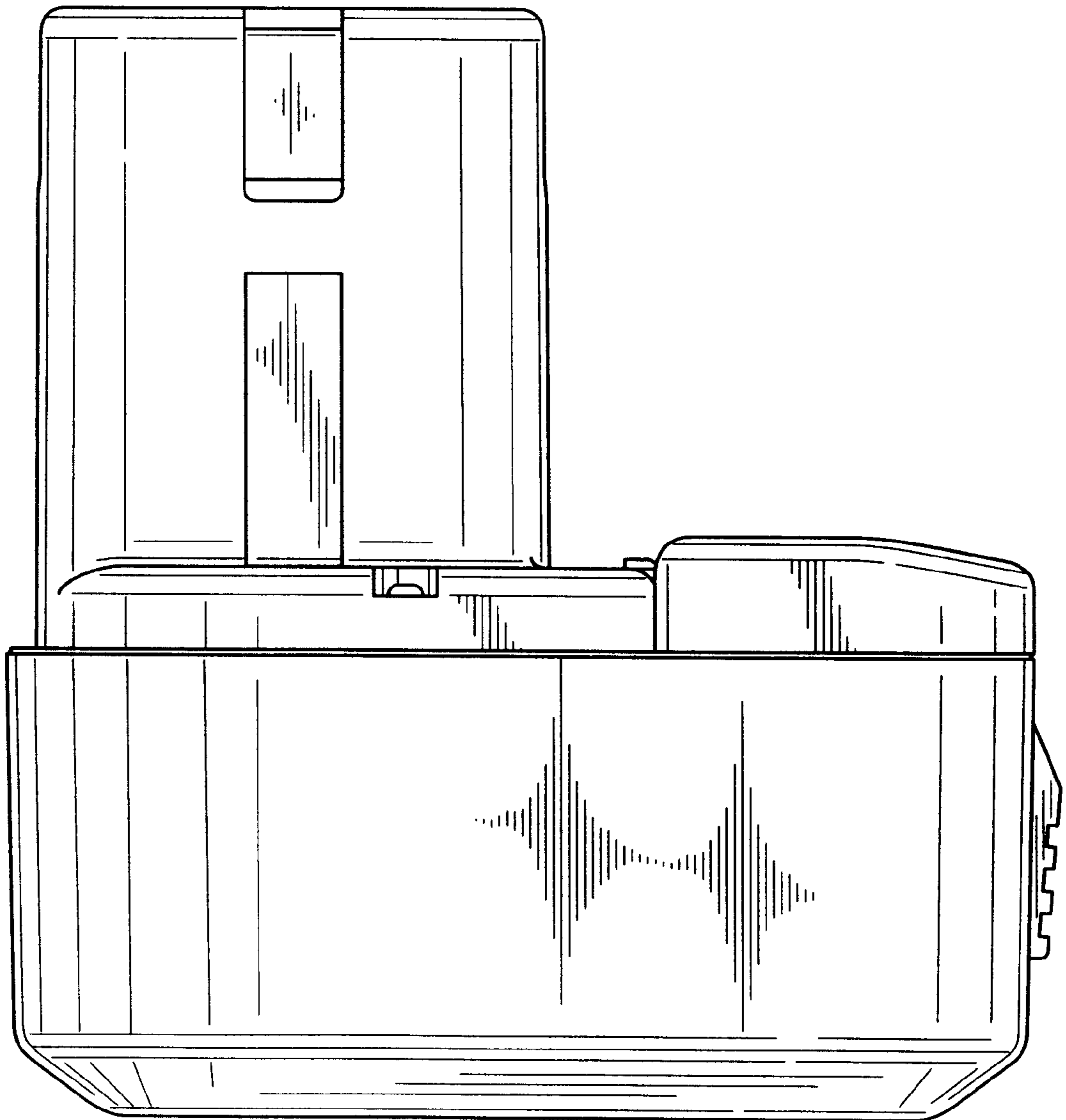


FIG. 4

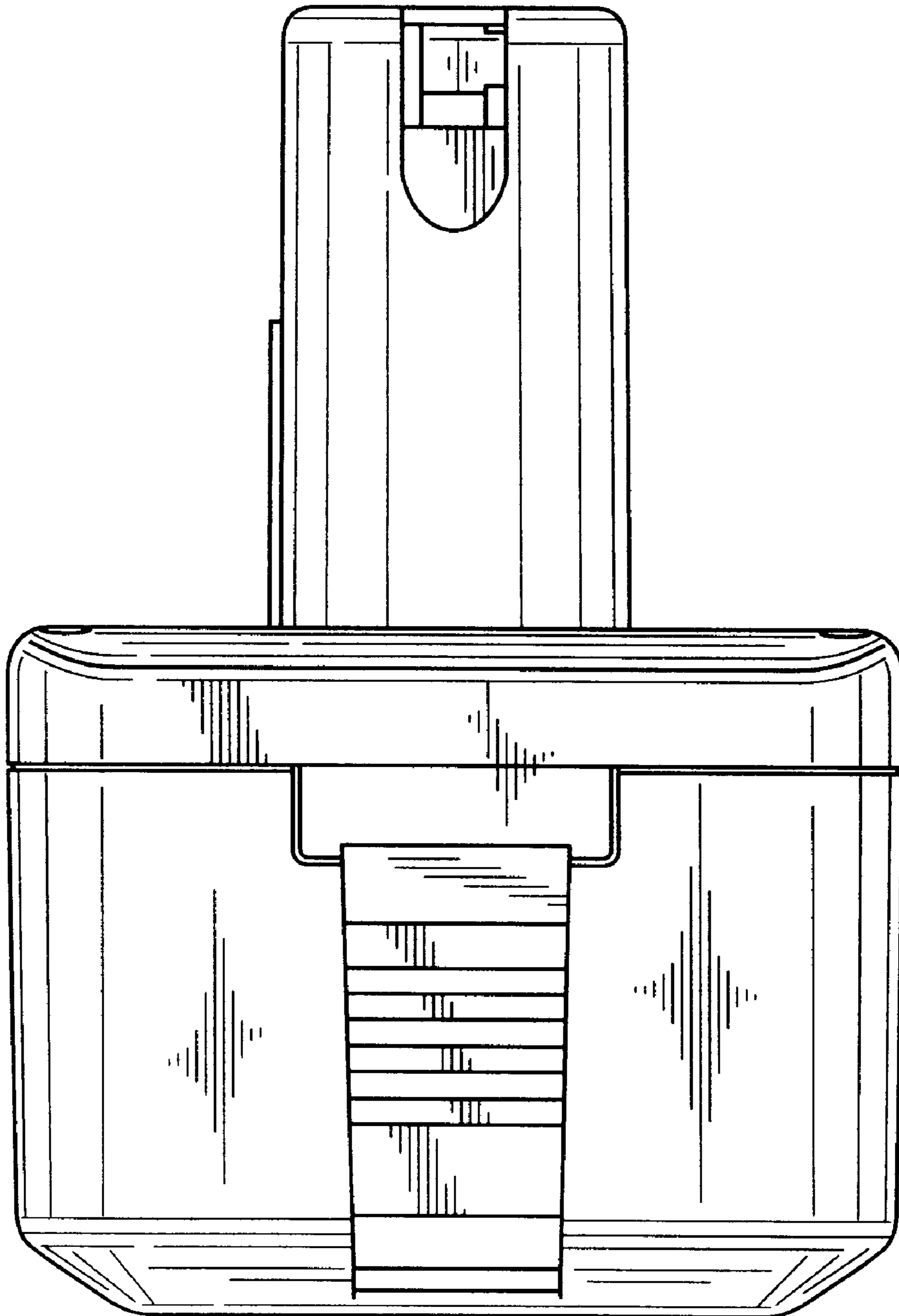


FIG. 5

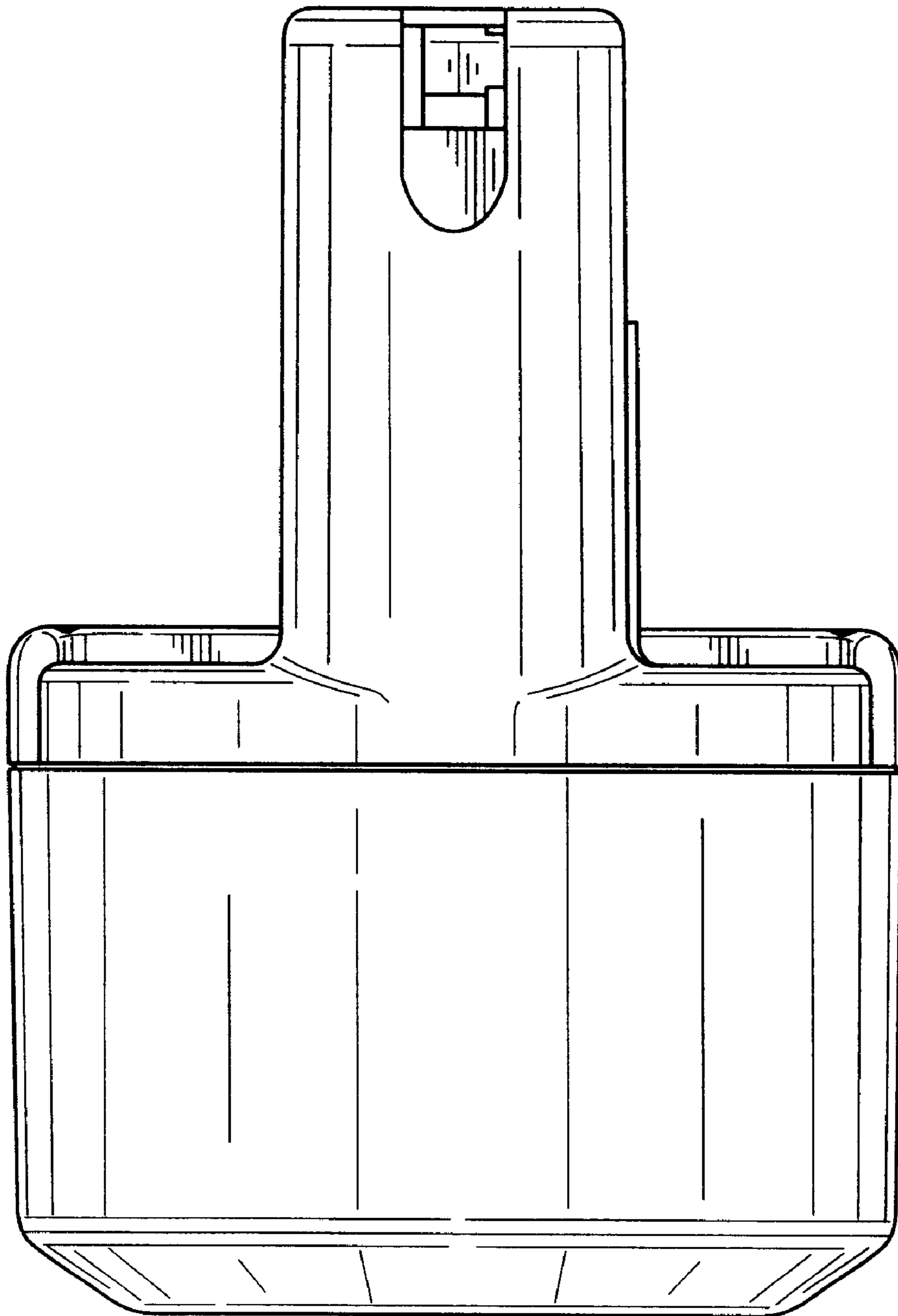


FIG. 6

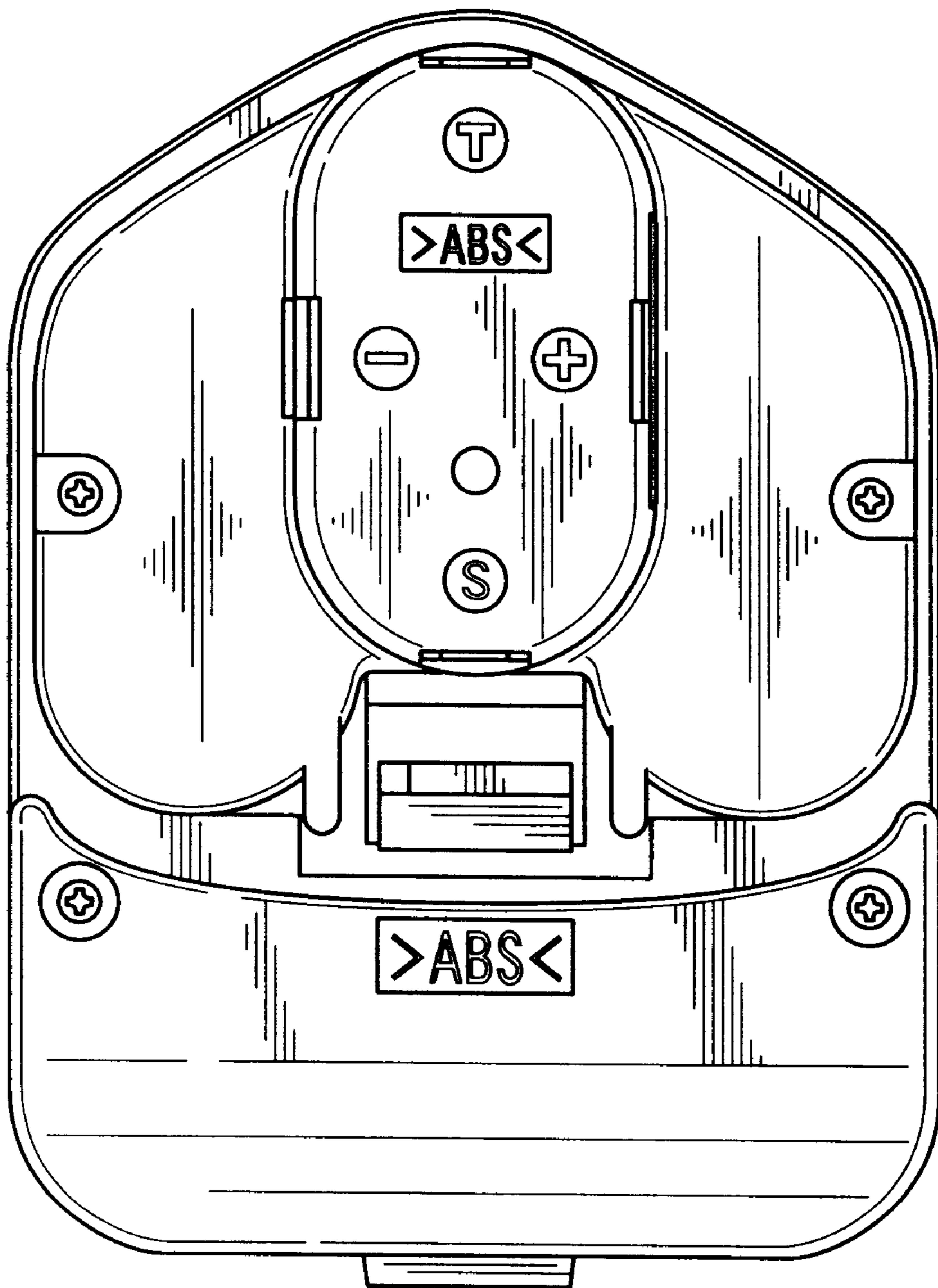


FIG. 7

