



US00D47444S

(12) **United States Design Patent**  
**Elgner**

(10) **Patent No.:** **US D474,444 S**

(45) **Date of Patent:** **\*\* May 13, 2003**

(54) **SOLAR HEATING PANEL**

(75) Inventor: **Benno Elgner**, King City (CA)

(73) Assignee: **Salflex Polymers Ltd.**, Weston (CA)

(\*\*) Term: **14 Years**

(21) Appl. No.: **29/138,542**

(22) Filed: **Mar. 16, 2001**

(51) **LOC (7) Cl.** ..... **13-02**

(52) **U.S. Cl.** ..... **D13/102**

(58) **Field of Search** ..... D13/102; 126/569;  
136/244-246, 248, 251, 256, 259, 291,  
292

(56) **References Cited**

**U.S. PATENT DOCUMENTS**

D391,921 S \* 3/1998 Zimmer et al. .... D13/102  
D448,722 S \* 10/2001 Drummond ..... D13/102

\* cited by examiner

*Primary Examiner*—Lisa Lichtenstein

(74) *Attorney, Agent, or Firm*—George A. Seaby

(57) **CLAIM**

The ornamental design for a solar heating panel, as shown and described.

**DESCRIPTION**

FIG. 1 is a perspective view of the panel from the front and one end;

FIG. 2 is a perspective view of the panel from the rear and the other end thereof;

FIG. 3 is a front elevational view thereof;

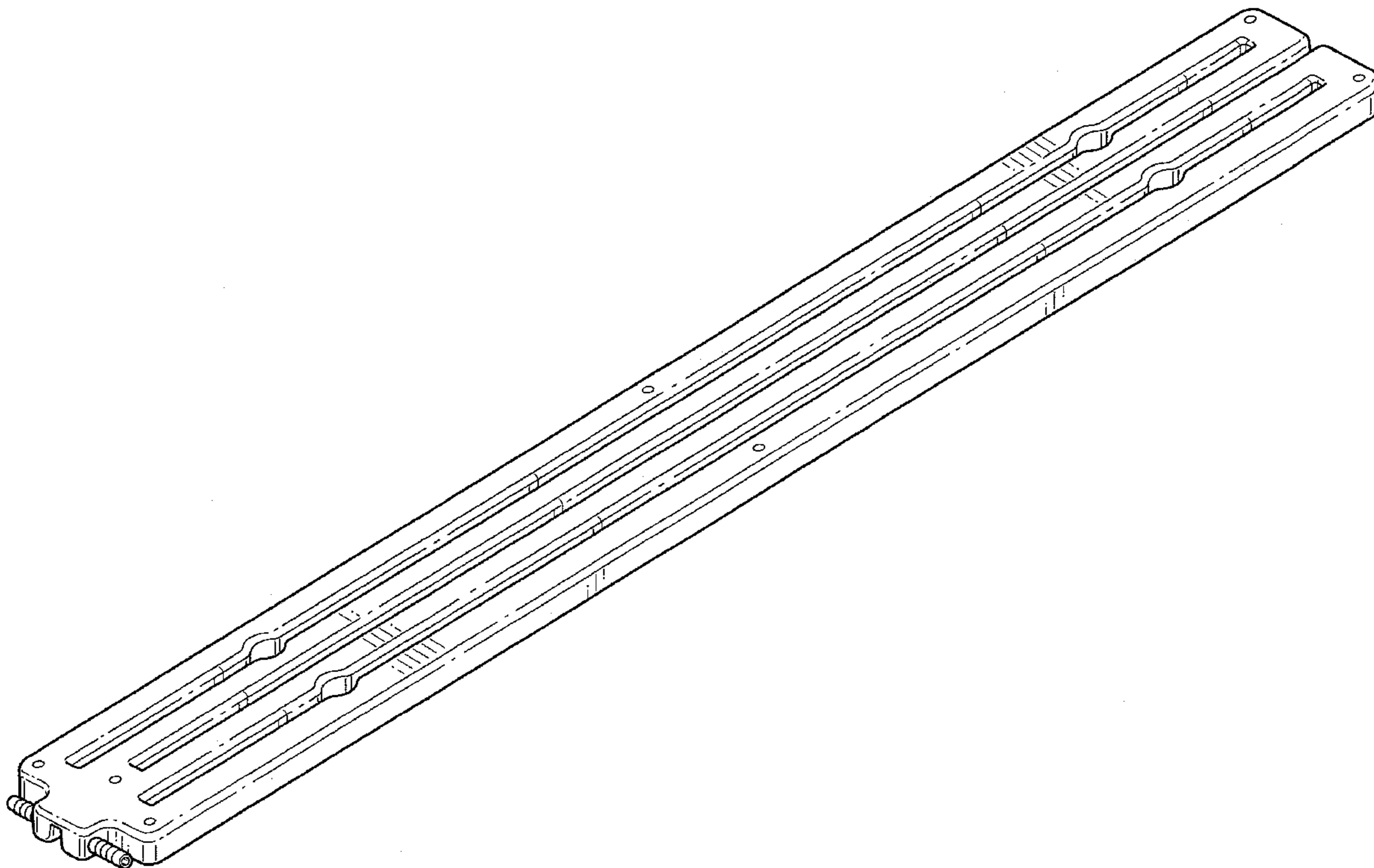
FIG. 4 is a rear elevational view thereof;

FIG. 5 is a side elevational view of the panel, the other side being the mirror image thereof;

FIG. 6 is an enlarged top elevational view thereof; and,

FIG. 7 is an enlarged bottom elevational view thereof.

**1 Claim, 4 Drawing Sheets**



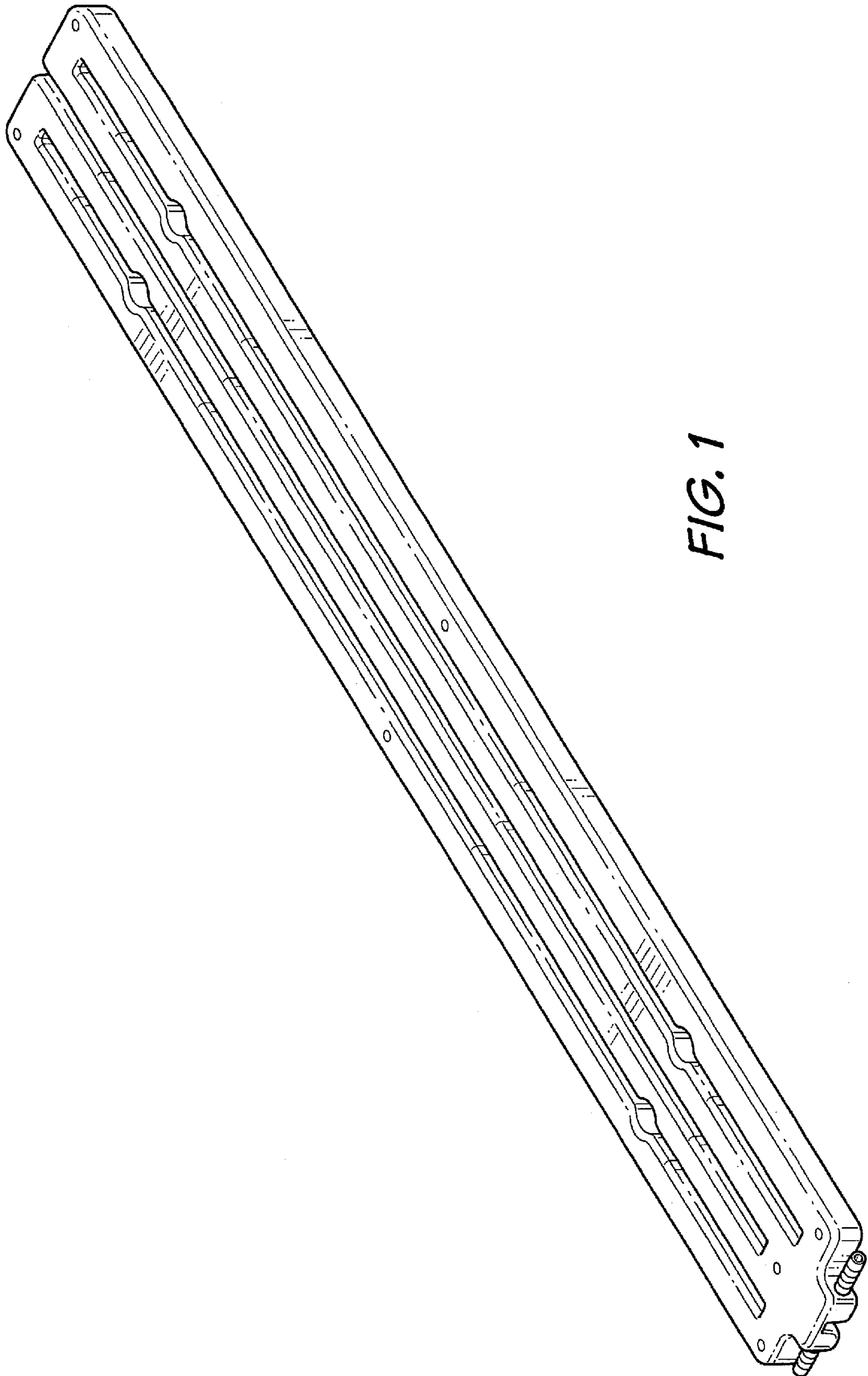


FIG. 1

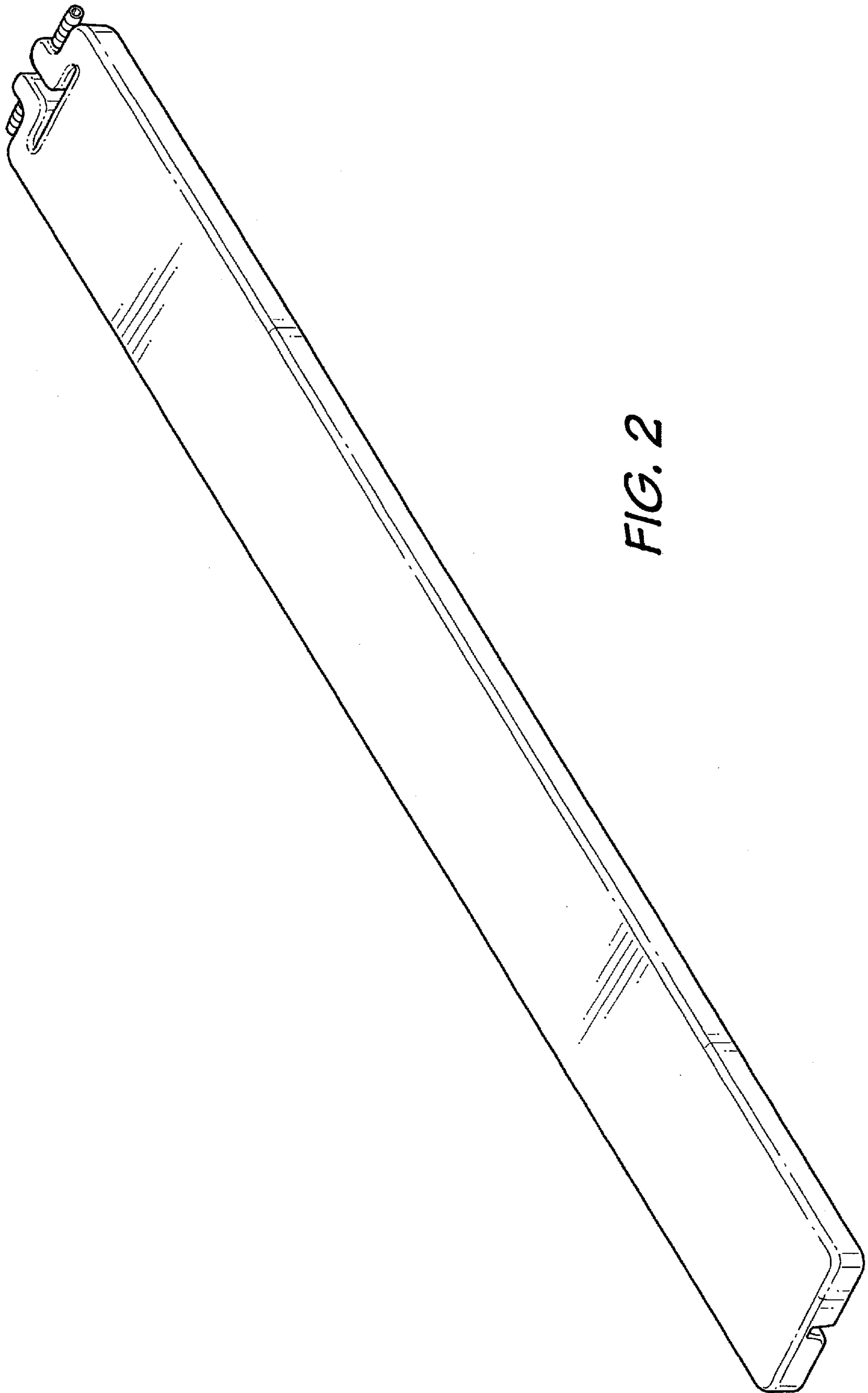
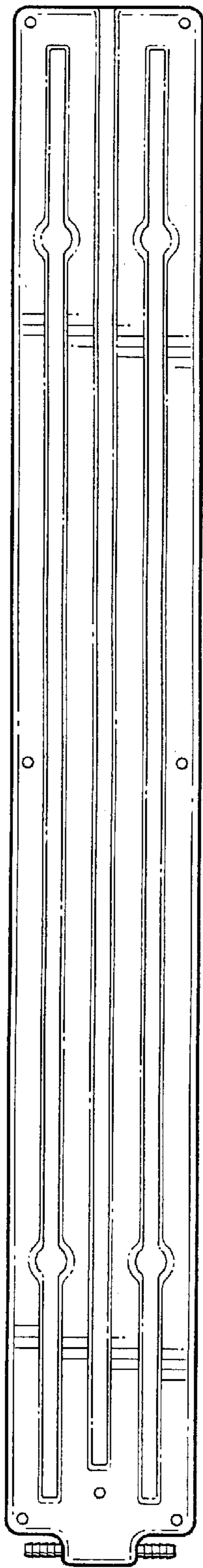
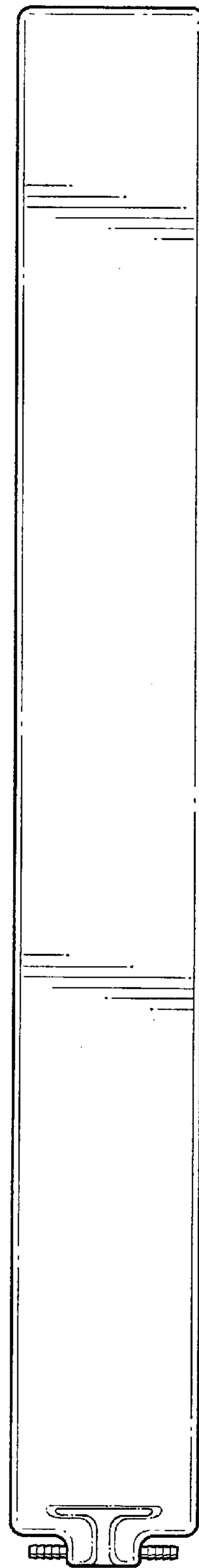


FIG. 2



*FIG. 3*



*FIG. 4*



*FIG. 5*



*FIG. 6*



*FIG. 7*