



US00D47441S

(12) **United States Design Patent**  
**Hill et al.**

(10) **Patent No.:** **US D474,441 S**

(45) **Date of Patent:** **\*\* May 13, 2003**

(54) **CONSOLE**

D459,288 S \* 6/2002 Tsay ..... D12/415

(75) Inventors: **Thomas Chilton Hill**, West Bend, WI (US); **James Heinrich Weitz**, Hoboken, NJ (US); **Alberto Mantilla**, Rego Park, NY (US)

\* cited by examiner

*Primary Examiner*—Stacia Cadmus

(73) Assignee: **Deere & Company**, Moline, IL (US)

(57) **CLAIM**

(\*\*) Term: **14 Years**

The ornamental design for a console, as shown and described.

(21) Appl. No.: **29/166,734**

**DESCRIPTION**

(22) Filed: **Aug. 30, 2002**

FIG. 1 is a left front elevated perspective view of a console showing our new design.

(51) **LOC (7) Cl.** ..... **12-16**

(52) **U.S. Cl.** ..... **D12/415**

FIG. 2 is a plan view of the console design of FIG. 1.

(58) **Field of Search** ..... D12/192, 415,

D12/419-421, 425; 224/400, 42.11, 539-543,

926-928, 536, 275-276; 108/44-45; 296/37.1-37.8,

37.12, 37.16; 280/750, 752, DIG. 5, 762,

770; 180/90

FIG. 3 is a right side view of the console design of FIG. 1.

FIG. 4 is a front view of the console design of FIG. 1.

FIG. 5 is a left side view of the console design of FIG. 1.

FIG. 6 is a rear view of the console design of FIG. 1.

FIG. 7 is a right front elevated perspective view of a console showing a second embodiment of our new design.

FIG. 8 is a plan view of the console design of FIG. 7.

FIG. 9 is a right side view of the console design of FIG. 7.

FIG. 10 is a front view of the console design of FIG. 7.

FIG. 11 is a left side view of the console design of FIG. 7; and,

FIG. 12 is a rear view of the console design of FIG. 7.

The broken line showing of environment is for illustrative purposes only and forms no part of the claimed design.

(56) **References Cited**

**U.S. PATENT DOCUMENTS**

D201,795 S \* 8/1965 Nimetz ..... D12/415

D216,780 S \* 3/1970 Tronville ..... D12/415

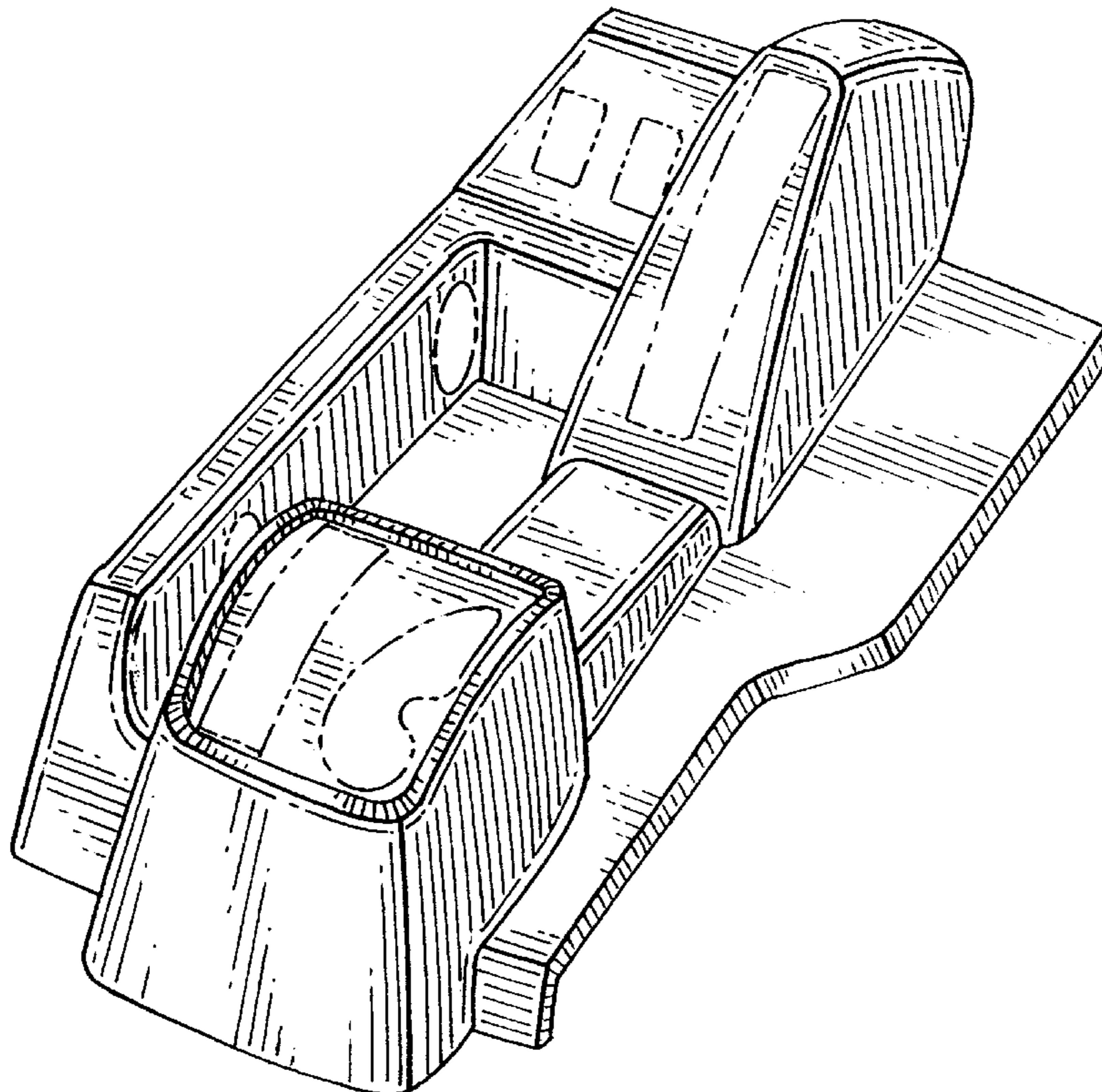
D313,962 S 1/1991 Haag et al. .... D12/155

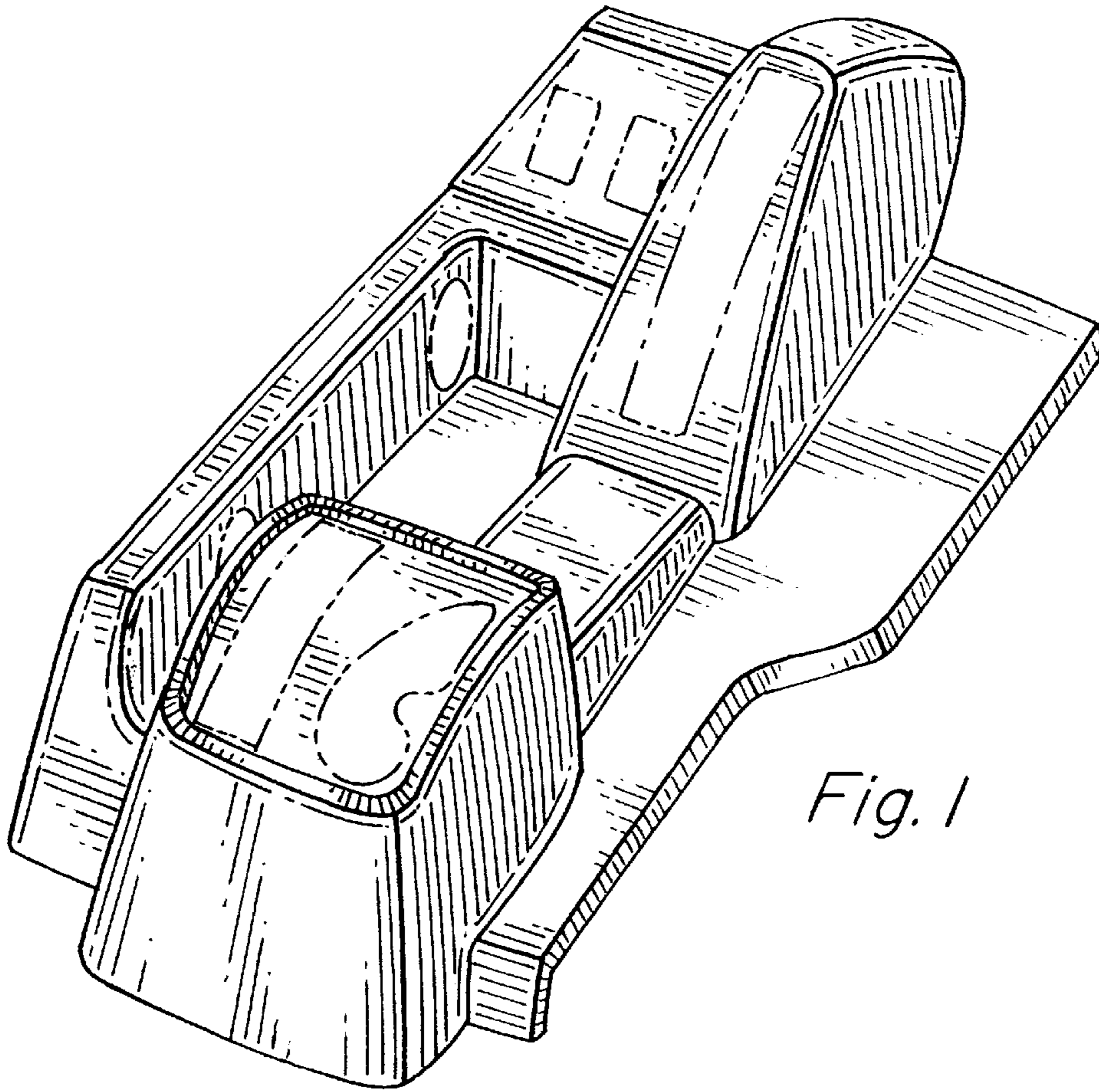
D316,696 S 5/1991 Haag et al. .... D12/196

D429,685 S \* 8/2000 Rueckert et al. .... D12/415

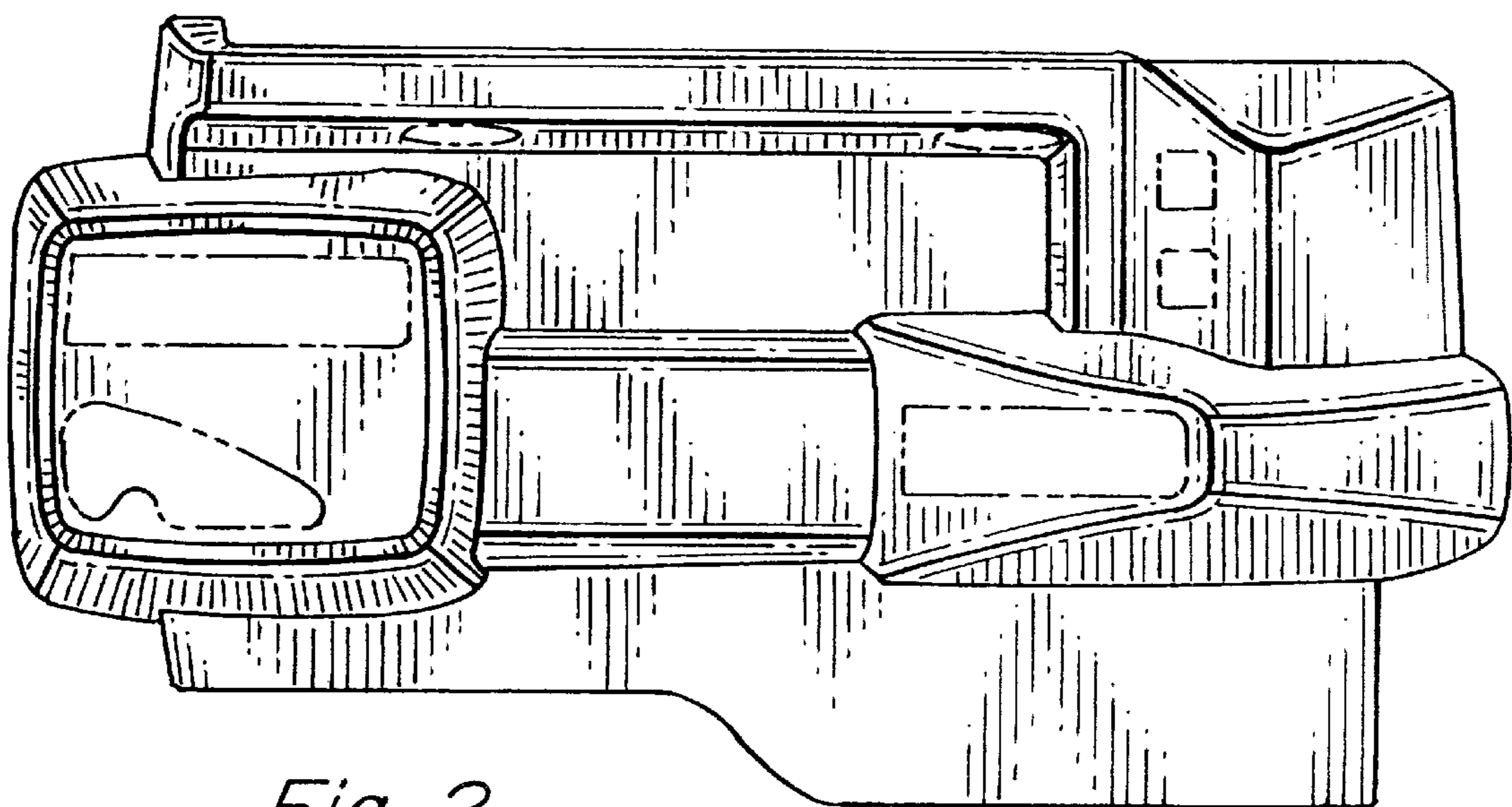
D448,720 S \* 10/2001 Nash et al. .... D12/419

**1 Claim, 4 Drawing Sheets**

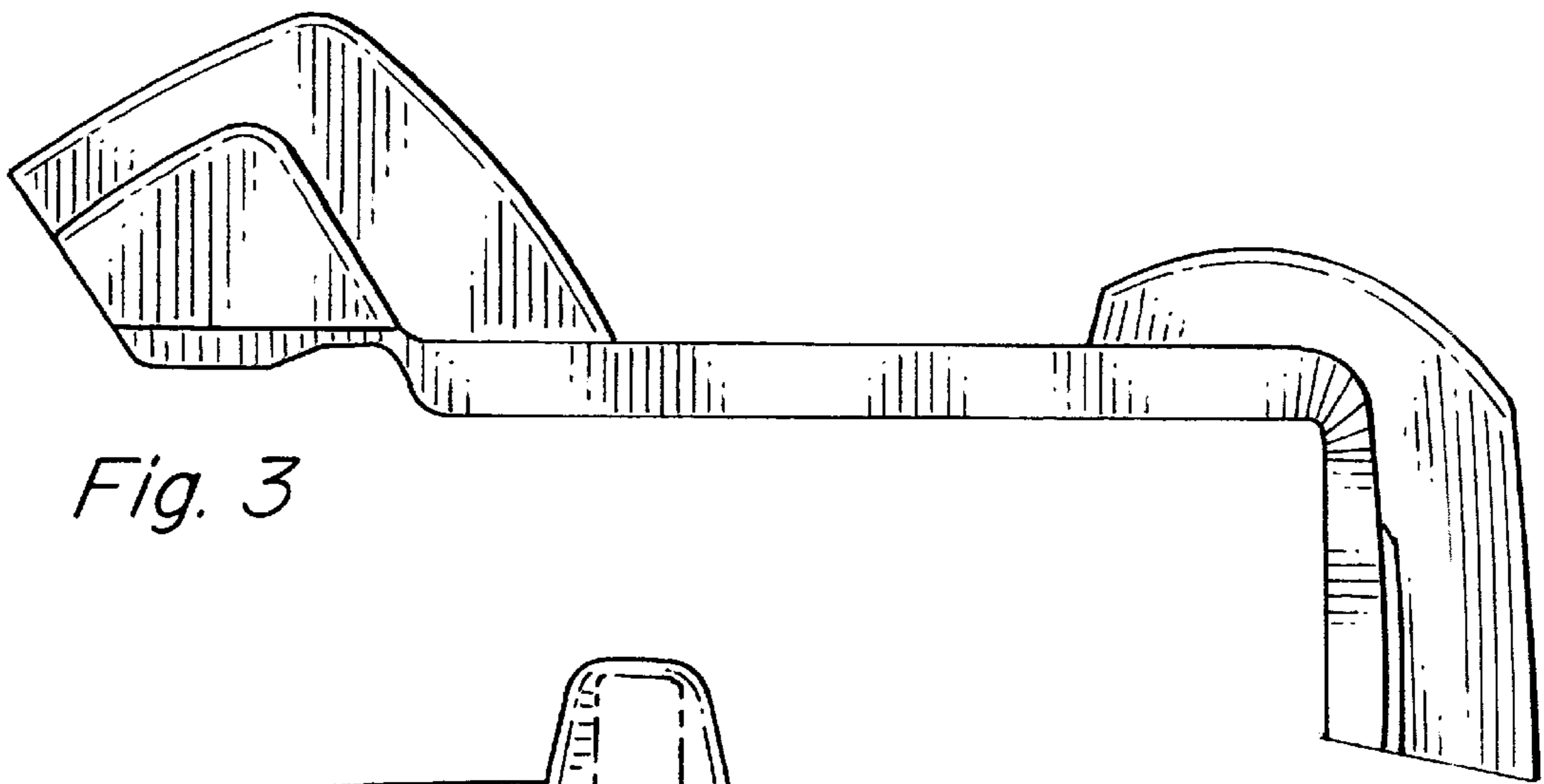




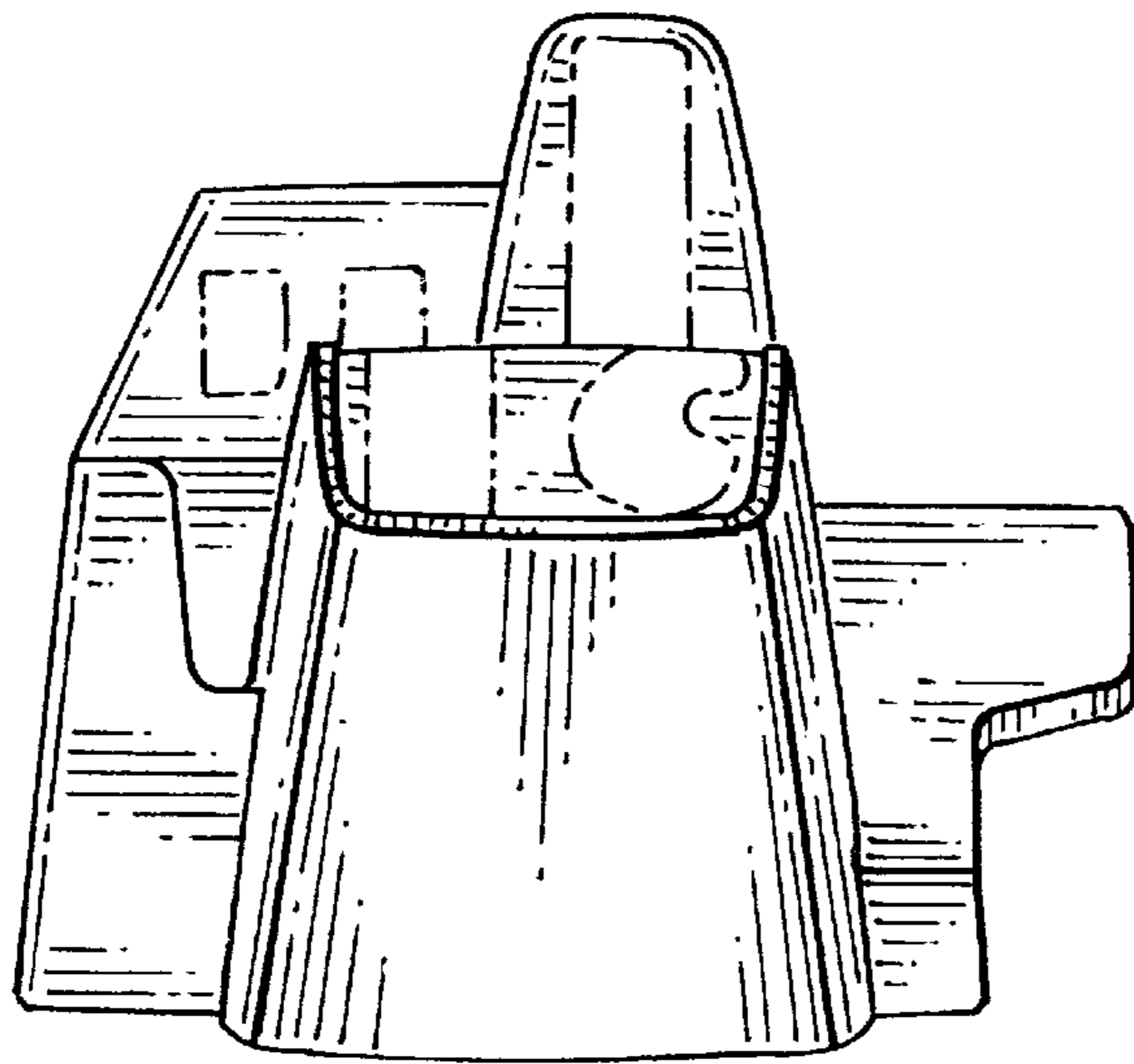
*Fig. 1*



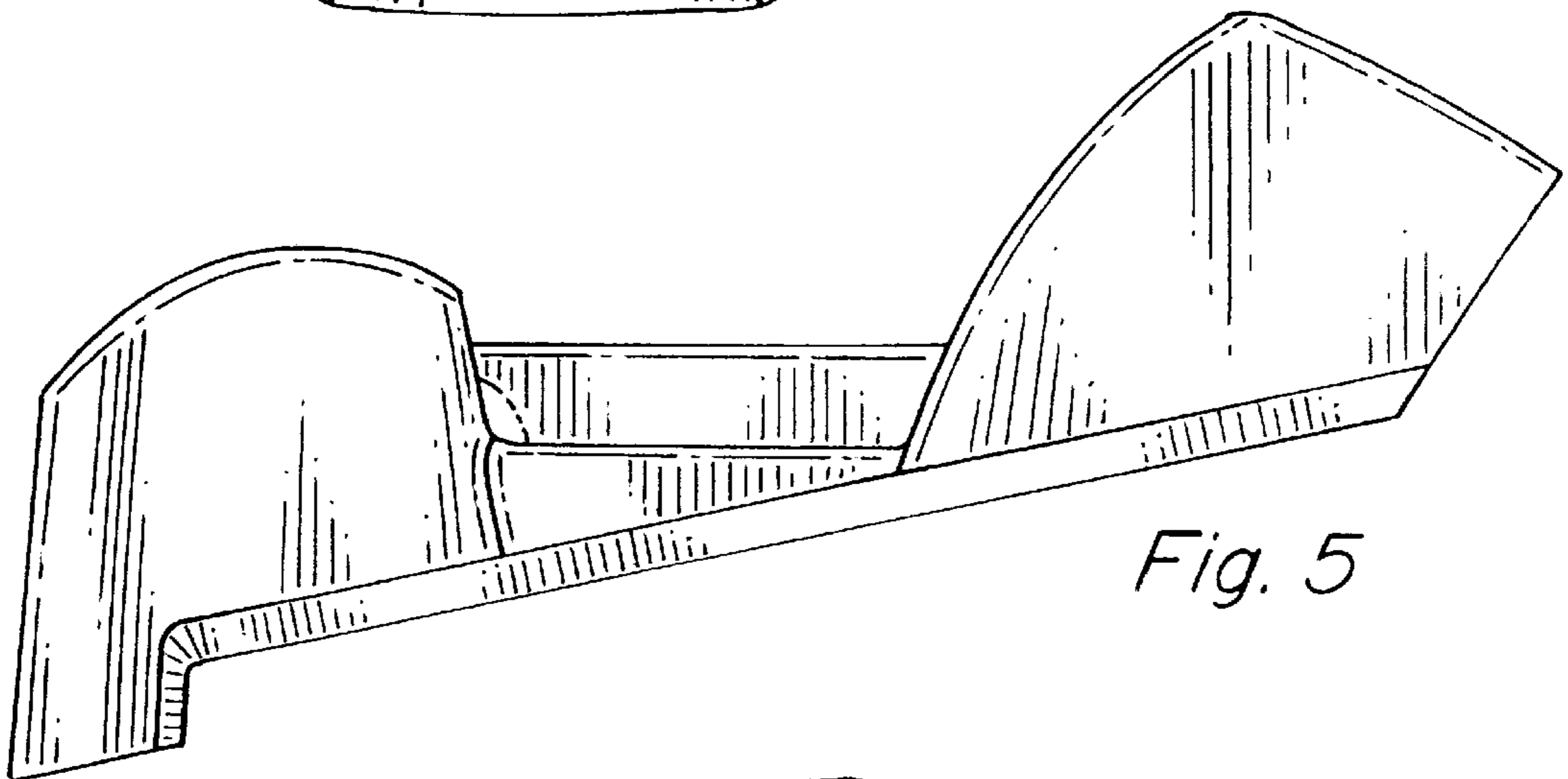
*Fig. 2*



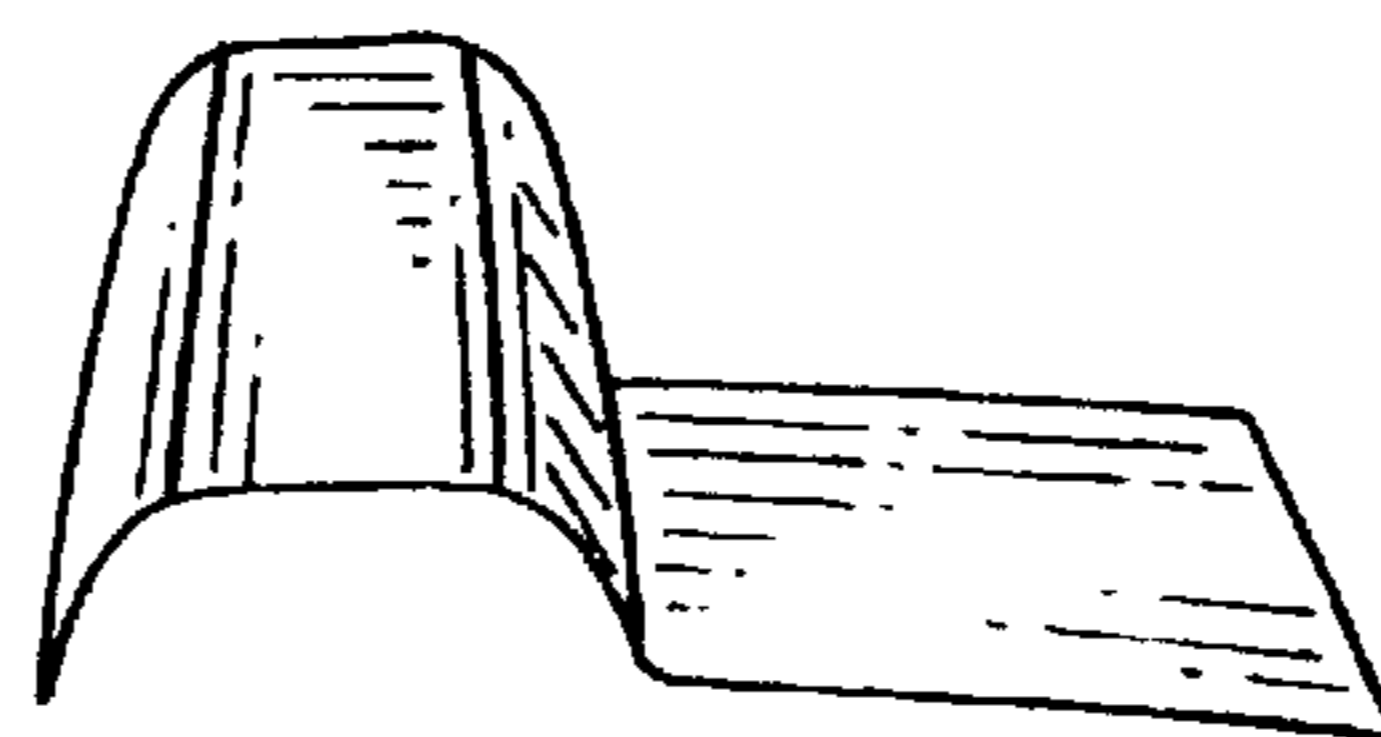
*Fig. 3*



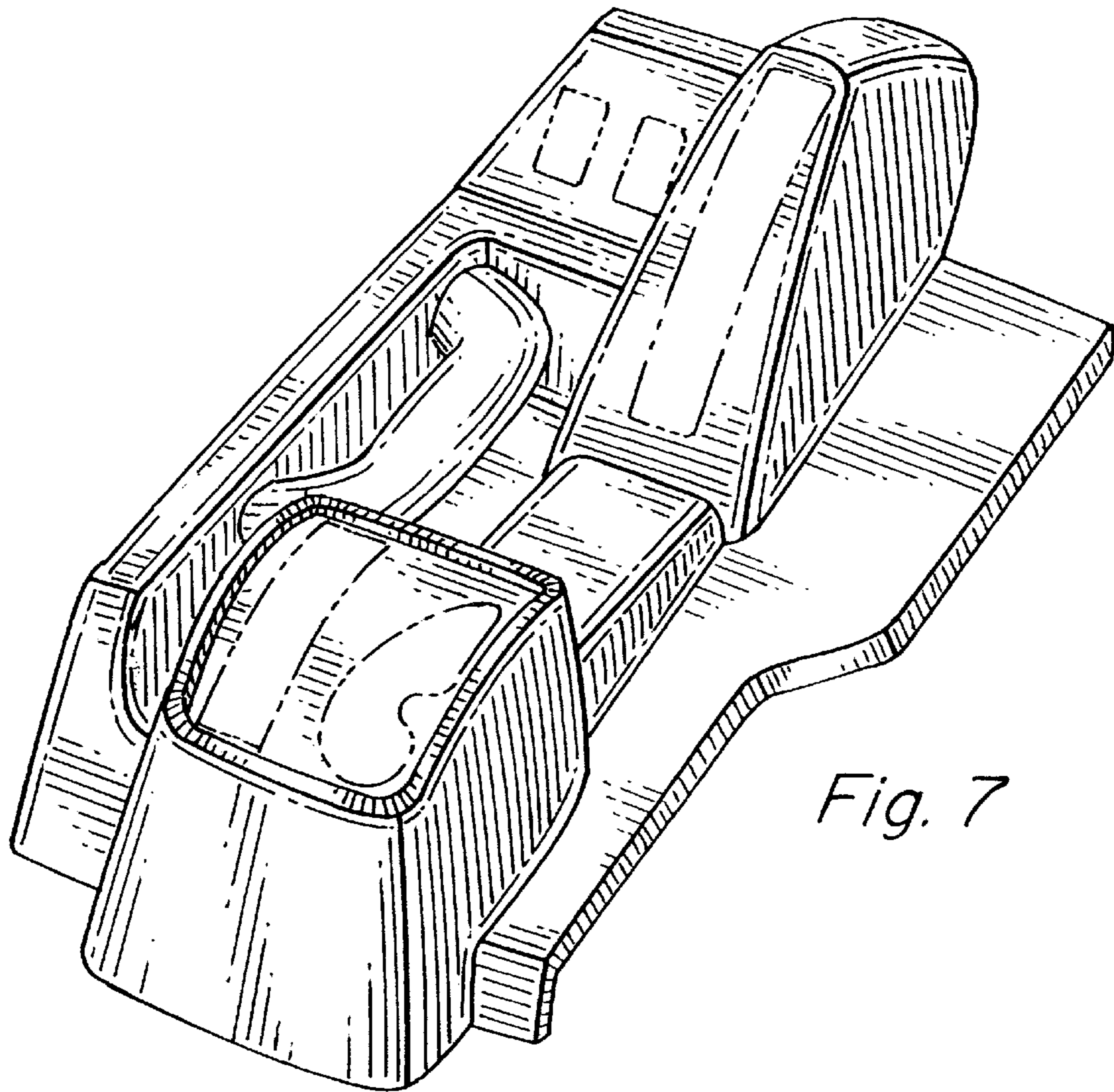
*Fig. 4*



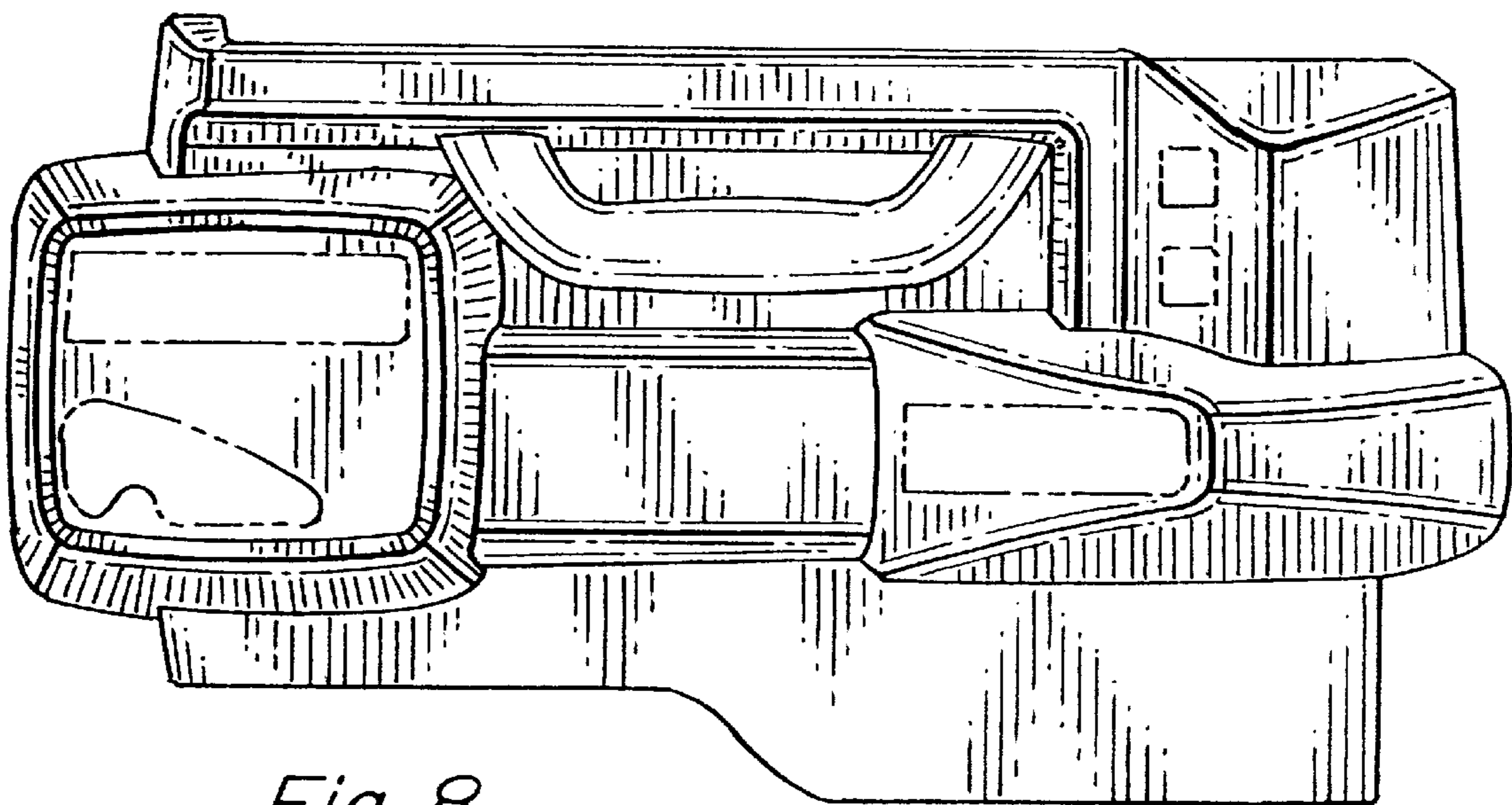
*Fig. 5*



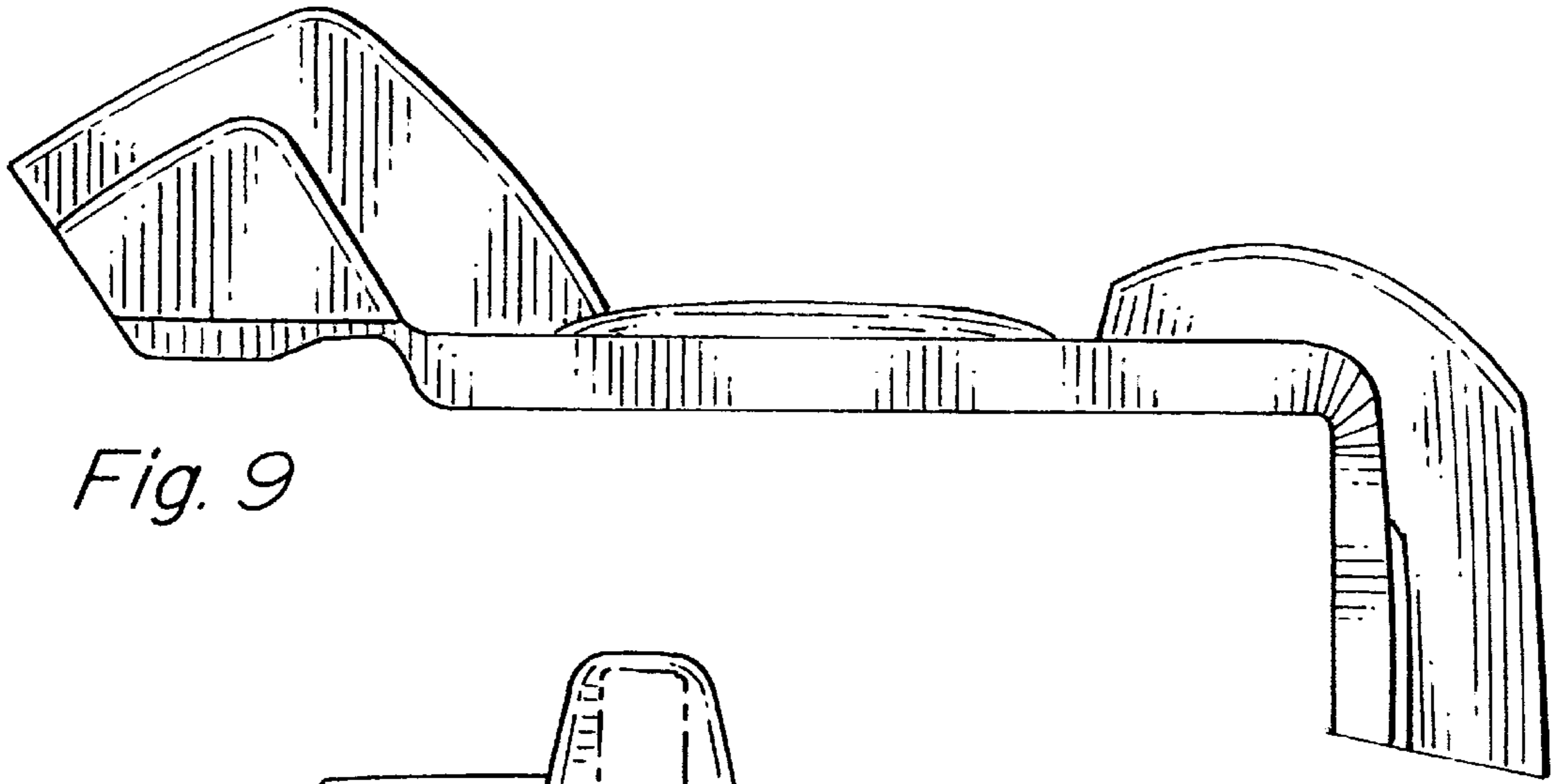
*Fig. 6*



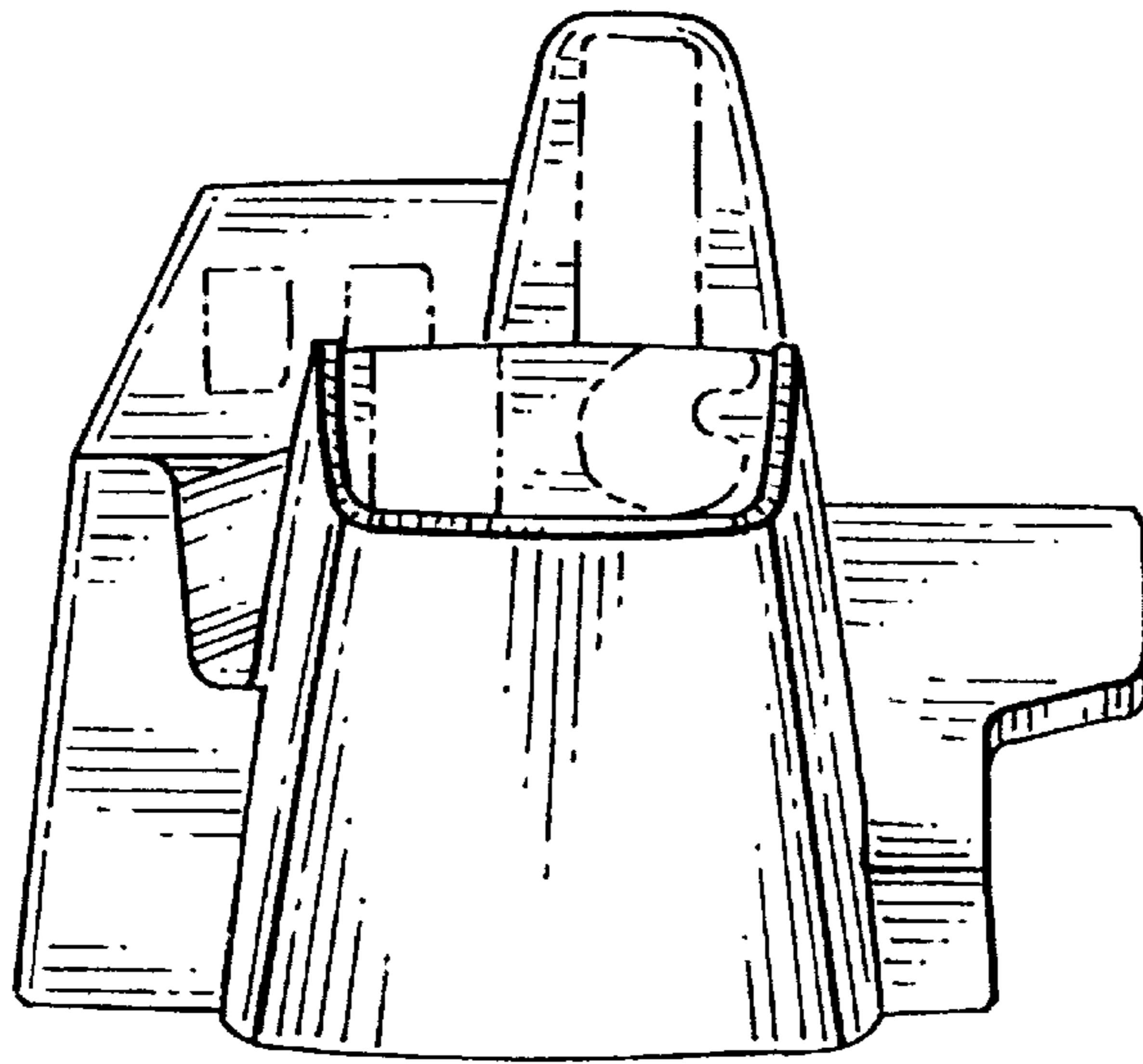
*Fig. 7*



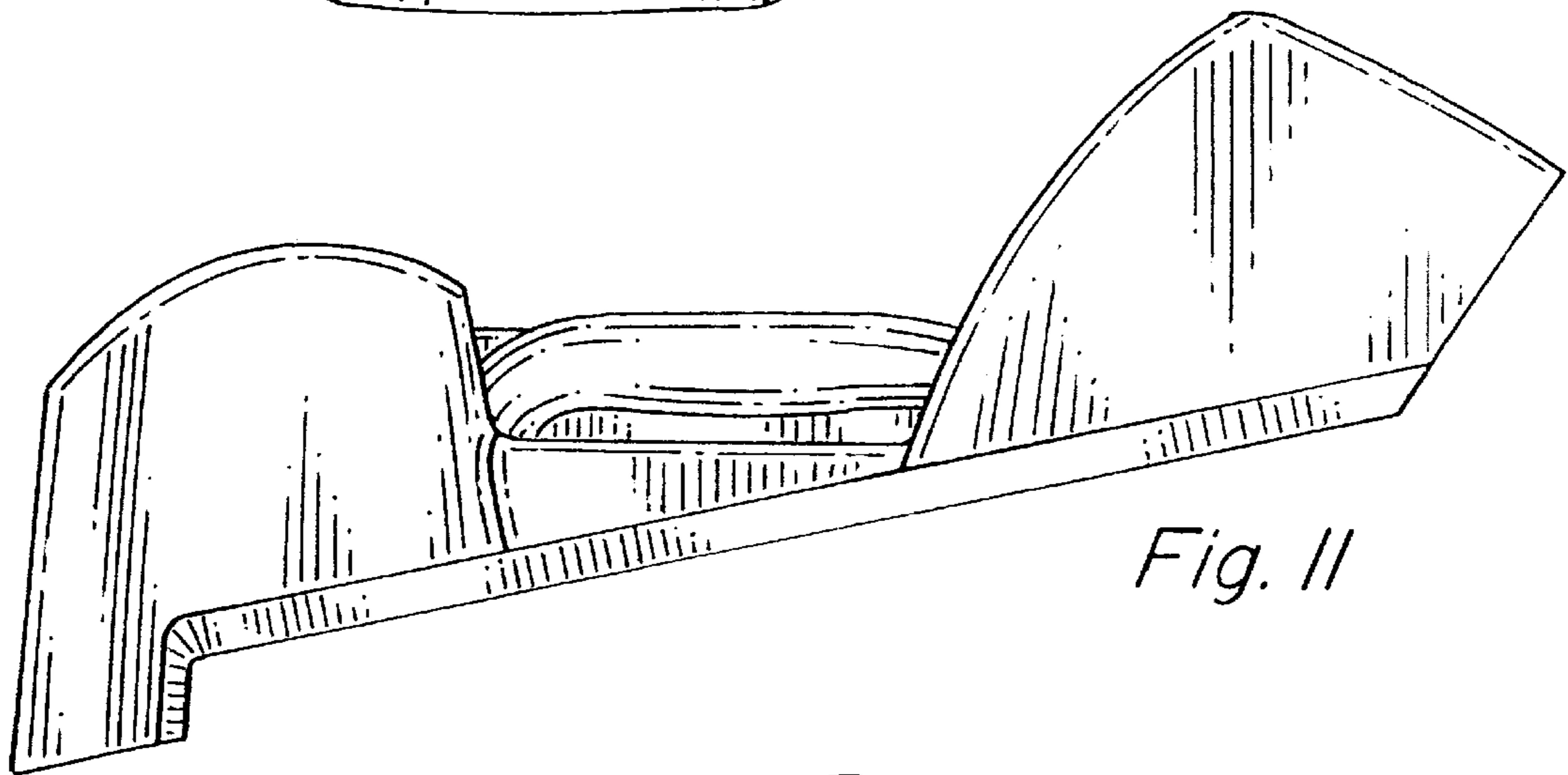
*Fig. 8*



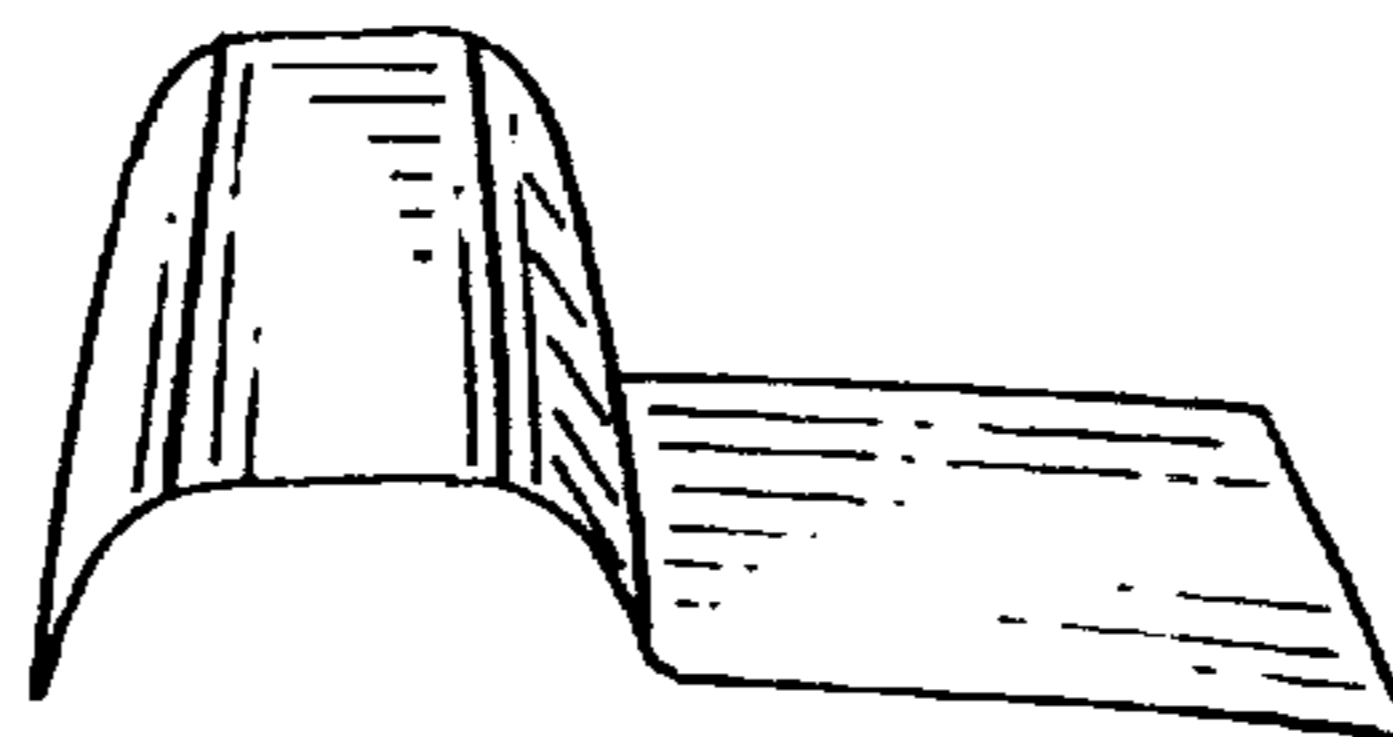
*Fig. 9*



*Fig. 10*



*Fig. 11*



*Fig. 12*