



US00D474440S

(12) **United States Design Patent**
Oh

(10) **Patent No.:** **US D474,440 S**

(45) **Date of Patent:** **** May 13, 2003**

(54) **AUTOMOTIVE WHEEL**

(75) **Inventor:** **Steve Oh**, Cerritos, CA (US)

(73) **Assignee:** **Branzach Corporation**, Paramount, CA (US)

(**) **Term:** **14 Years**

(21) **Appl. No.:** **29/153,395**

(22) **Filed:** **Jan. 9, 2002**

(51) **LOC (7) Cl.** **12-16**

(52) **U.S. Cl.** **D12/211**

(58) **Field of Search** D12/204-211;
301/37.101, 64.101, 65

(56) **References Cited**

U.S. PATENT DOCUMENTS

- D337,563 S * 7/1993 Boselli D12/209
- D432,974 S * 10/2000 Jablonski D12/211
- D451,467 S * 12/2001 Chung D12/211

D451,877 S * 12/2001 Lee D12/211

D460,733 S * 7/2002 Bintoro D12/211

D460,942 S * 7/2002 Lee D12/211

D463,769 S * 10/2002 Chung D12/211

D466,070 S * 11/2002 Lee D12/211

* cited by examiner

Primary Examiner—Stacia Cadmus

(74) *Attorney, Agent, or Firm*—G. Donald Weber, Jr.

(57) **CLAIM**

The ornamental design for an automotive wheel, as shown and described.

DESCRIPTION

FIG. 1 is a perspective view of an automotive wheel, showing my new design; and,

FIG. 2 is a front plan view thereof.

The broken line showing of environment is for illustrative purposes only and forms no part of the claimed design.

1 Claim, 1 Drawing Sheet

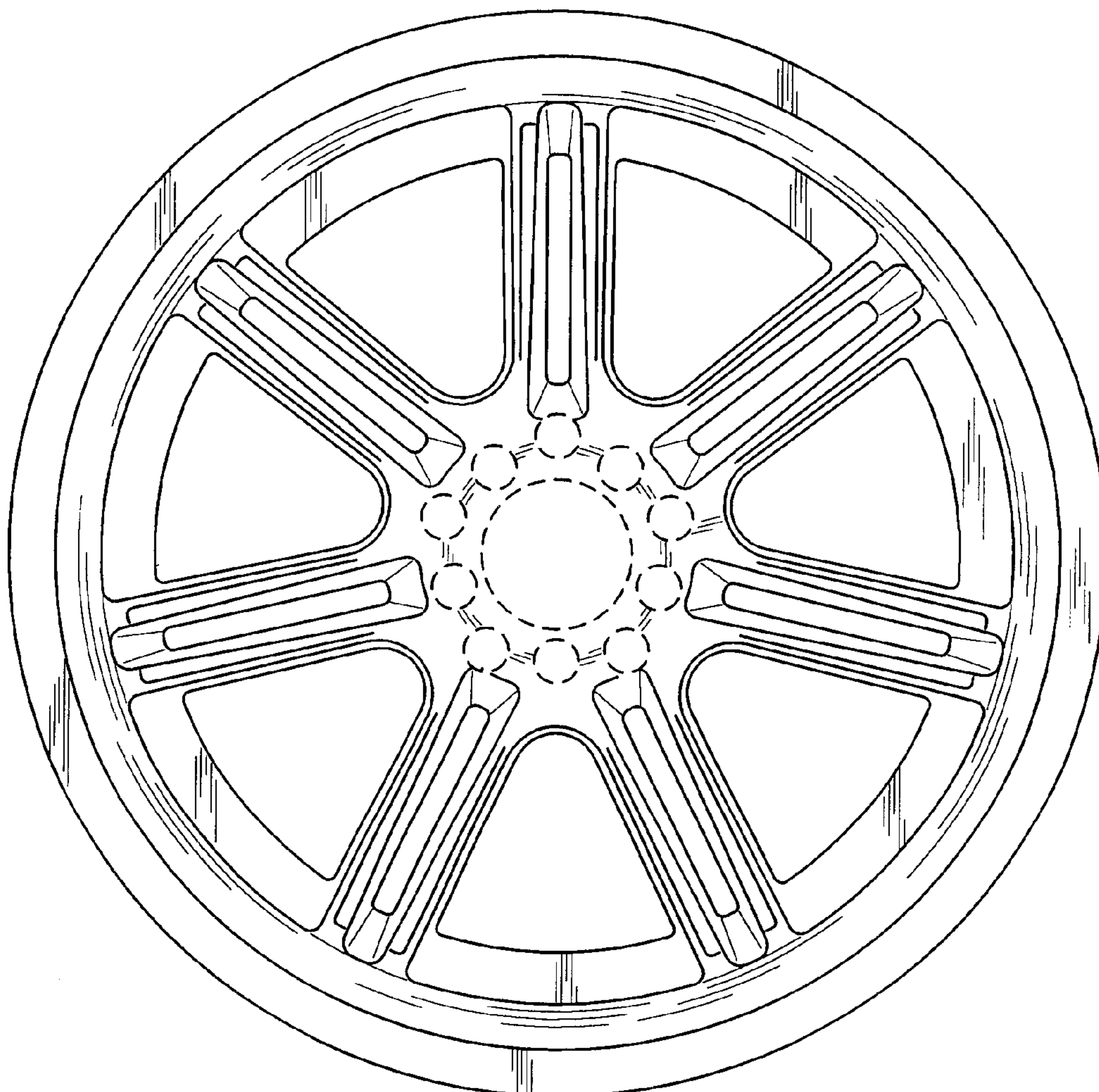


Fig. 1

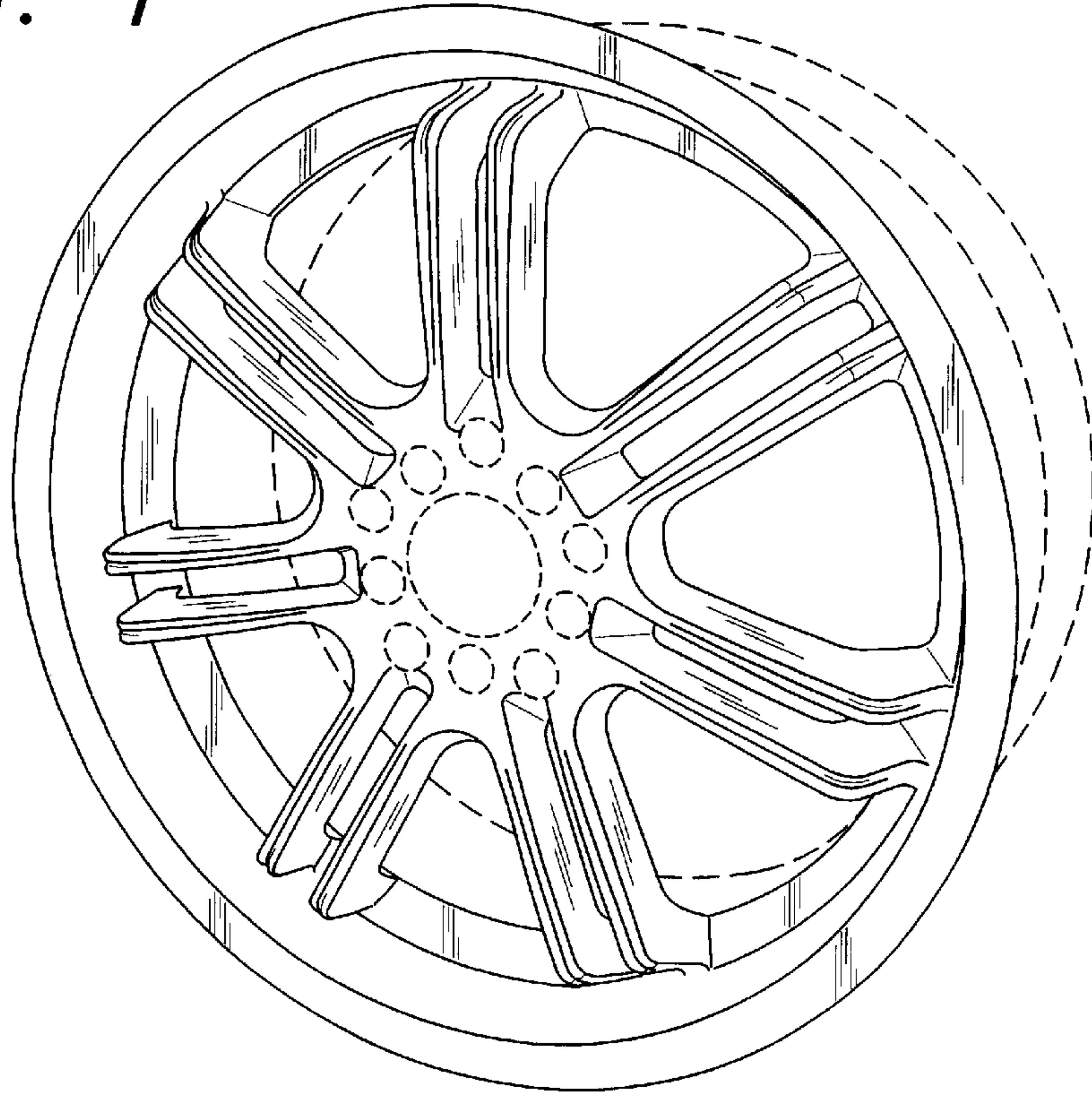


Fig. 2

