



US00D474436S

(12) **United States Design Patent**
Richardson

(10) **Patent No.:** **US D474,436 S**

(45) **Date of Patent:** **** May 13, 2003**

(54) **STEP ACCESSORY**

(75) **Inventor:** **Gregory D. Richardson**, Romulus, MI (US)

(73) **Assignee:** **Reese Products, Inc.**, Goshen, IN (US)

(**) **Term:** **14 Years**

(21) **Appl. No.:** **29/149,062**

(22) **Filed:** **Oct. 2, 2001**

(51) **LOC (7) Cl.** **12-16**

(52) **U.S. Cl.** **D12/203**

(58) **Field of Search** D12/162, 203,
D12/400; D25/62, 68-69; 280/163, 166,
169, 507, 511, 433, 495, 901, 491.5, 477,
416.1, 482; 182/89-93, 127

(56) **References Cited**

U.S. PATENT DOCUMENTS

D218,203 S	*	7/1970	Vevea	D12/203
D242,548 S	*	11/1976	Zane	D12/203
D260,683 S	*	9/1981	Kokoska	D25/65
D263,131 S	*	2/1982	Mitchell	D12/203
D263,132 S	*	2/1982	Mitchell	D12/203
D319,204 S	*	8/1991	McGrady	D12/162
D372,447 S	*	8/1996	McCoy et al.	D12/162
D372,892 S		8/1996	McCoy et al.		
D384,924 S	*	10/1997	Hanson et al.	D12/162

5,702,118 A	*	12/1997	Hanson et al.	280/491.5
5,738,362 A		4/1998	Ludwick		
5,842,709 A	*	12/1998	MacCabee	280/166
5,897,125 A	*	4/1999	Bundy	280/166
D424,990 S		5/2000	McCoy et al.		
D451,060 S		11/2001	McCoy et al.		
D462,037 S	*	8/2002	Pancheri et al.	D12/162
D463,346 S	*	9/2002	Pancheri et al.	D12/203

* cited by examiner

Primary Examiner—Stacia Cadmus

(74) *Attorney, Agent, or Firm*—King & Schickli, PLLC

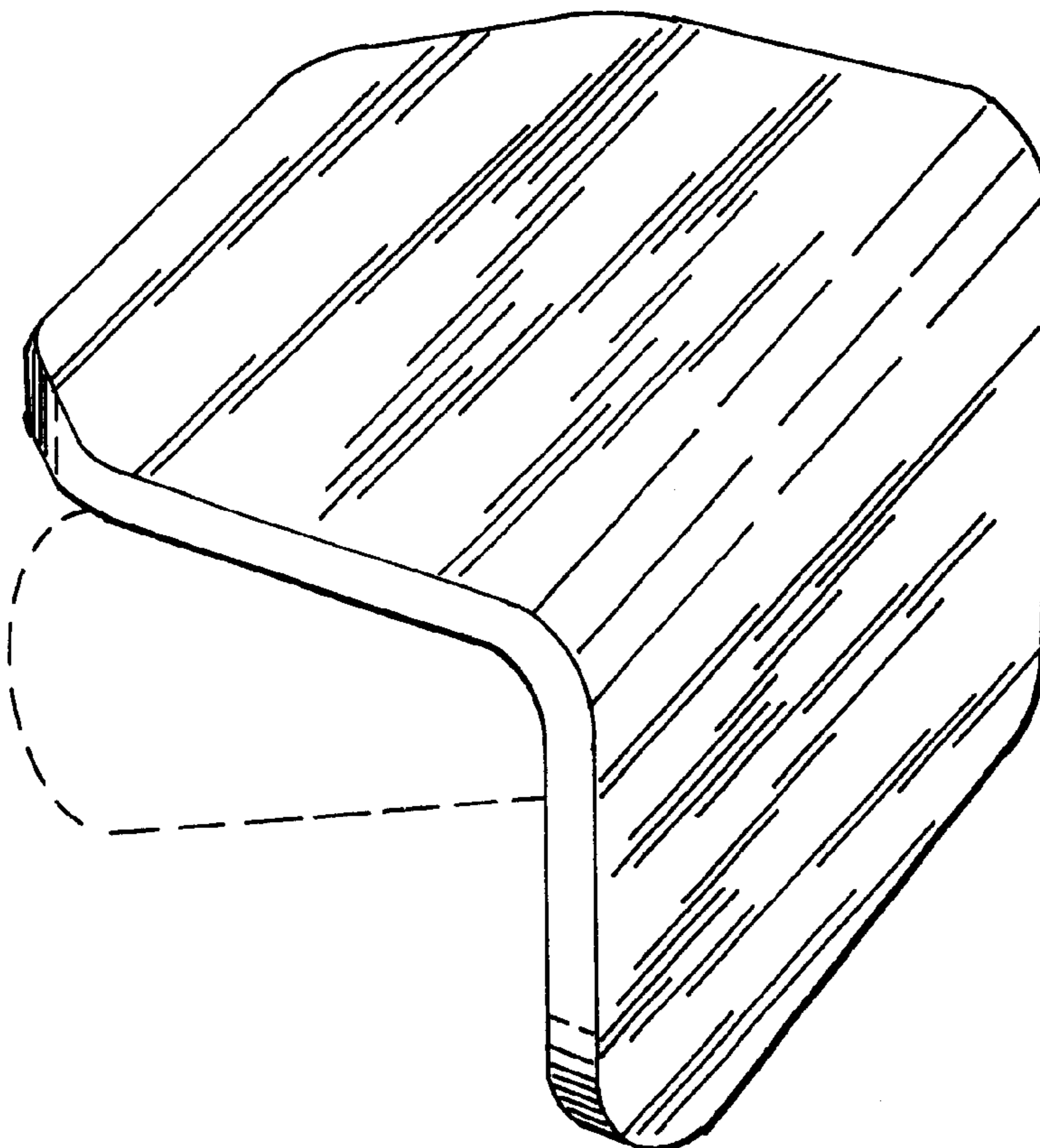
(57) **CLAIM**

The ornamental design of a step accessory, as shown and described.

DESCRIPTION

FIG. 1 is a perspective view showing the step accessory of the present invention;
FIG. 2 is a rear elevational view thereof;
FIG. 3 is a left side elevational view, the right side elevational view being a mirror image thereof;
FIG. 4 is a front elevational view thereof;
FIG. 5 is a top plan view thereof; and,
FIG. 6 is a bottom plan view thereof.
The broken line showing of environment is for illustrative purposes only and forms no part of the claimed design.

1 Claim, 2 Drawing Sheets



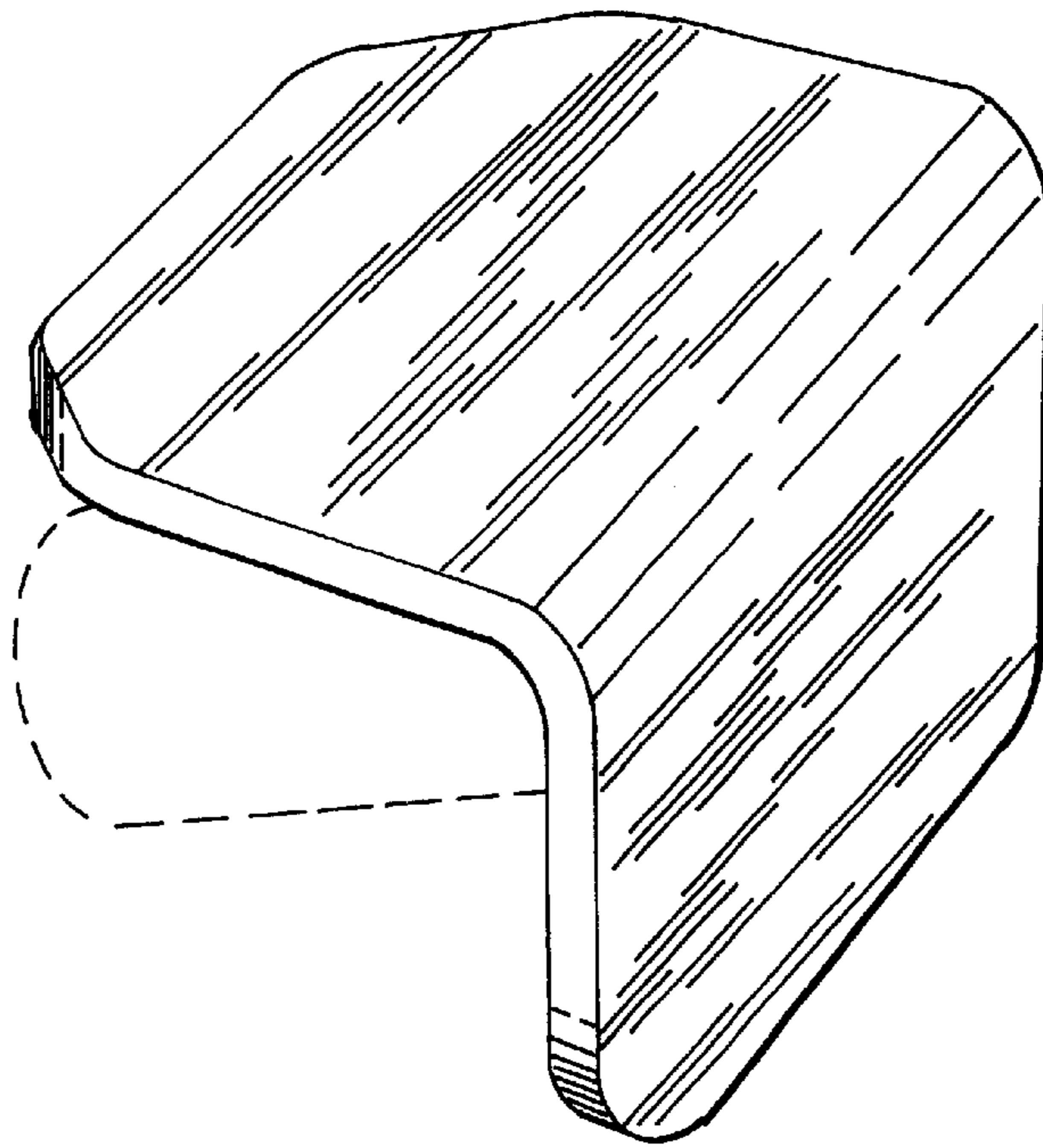


Fig. 1

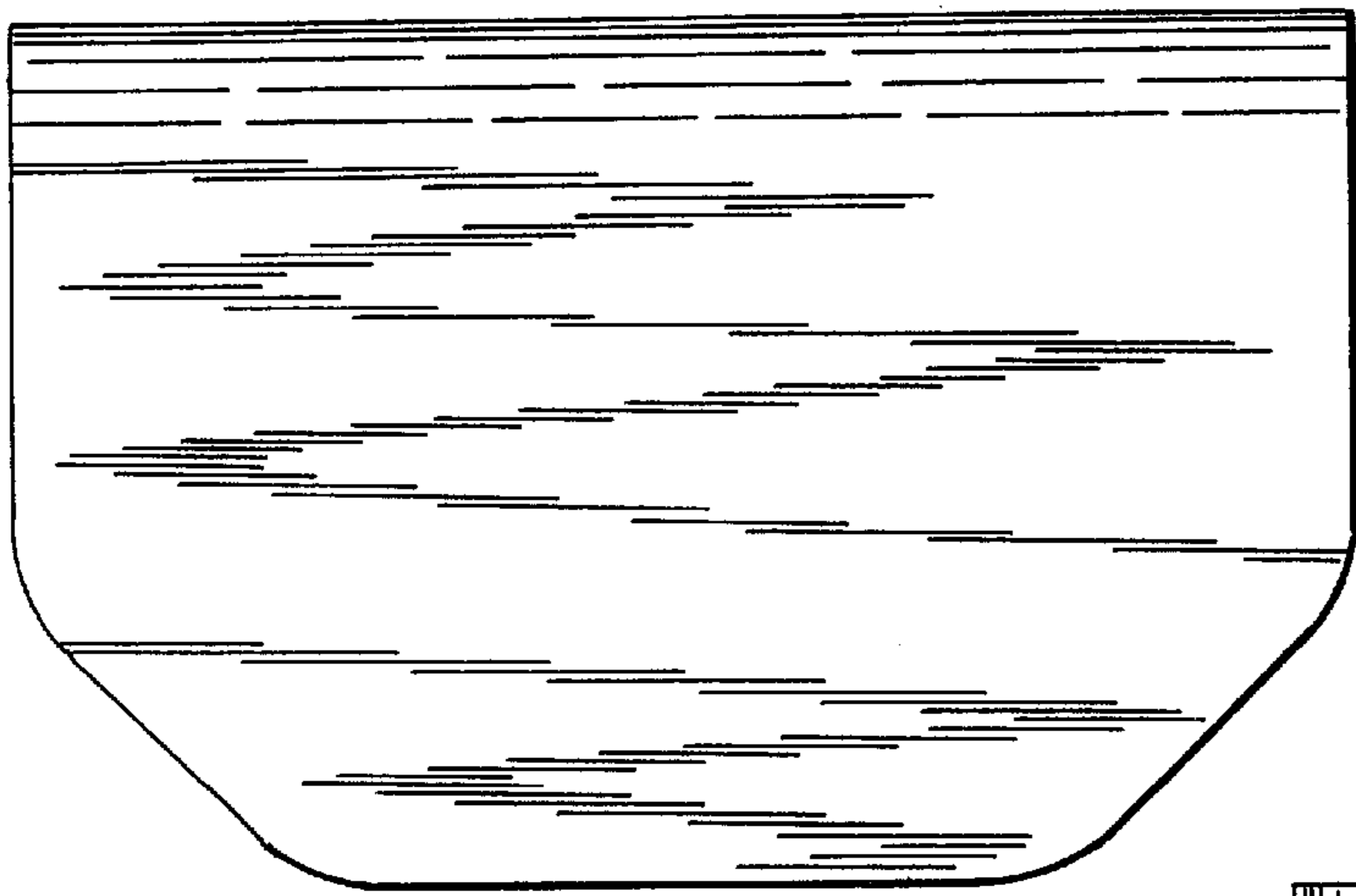


Fig. 2

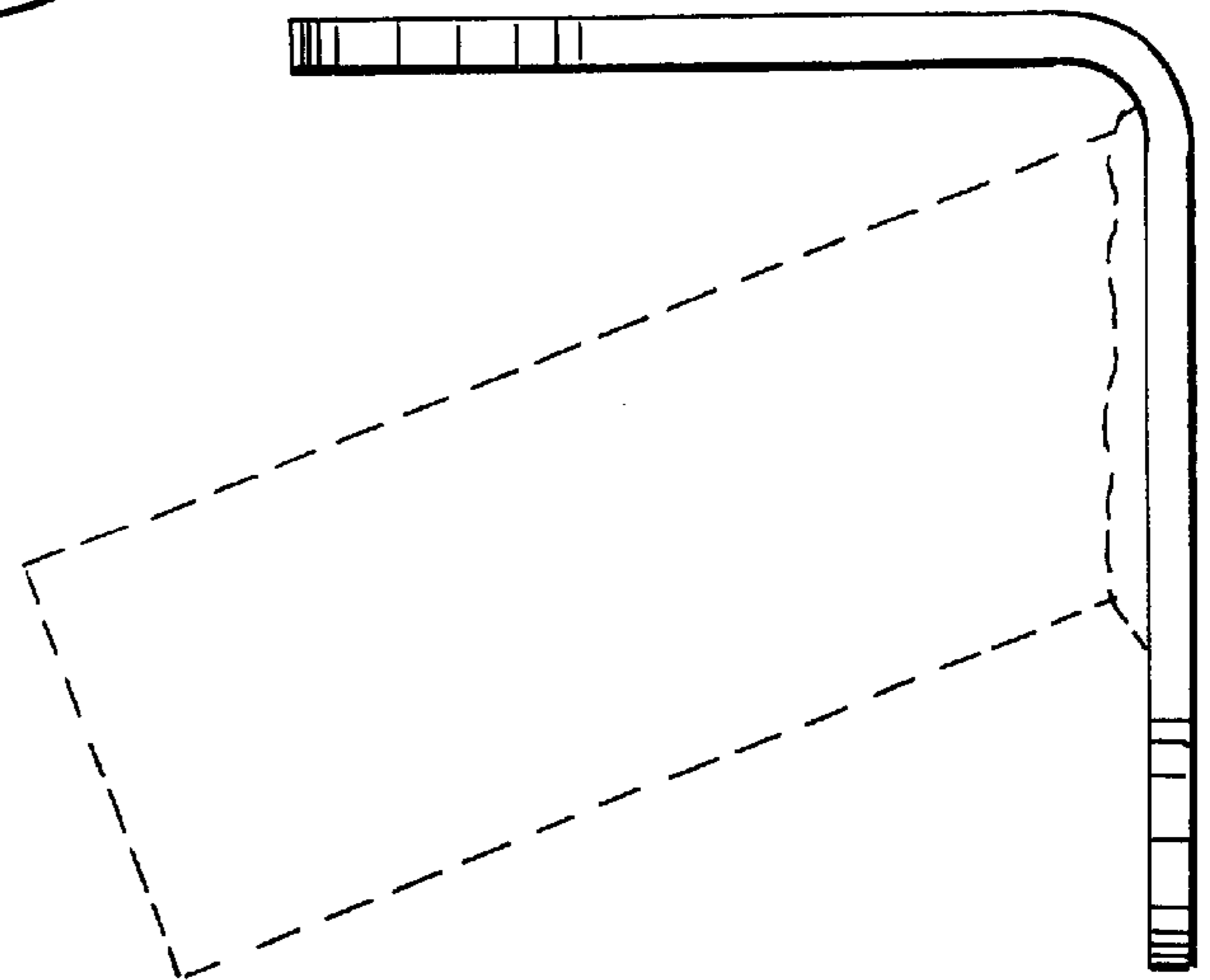


Fig. 3

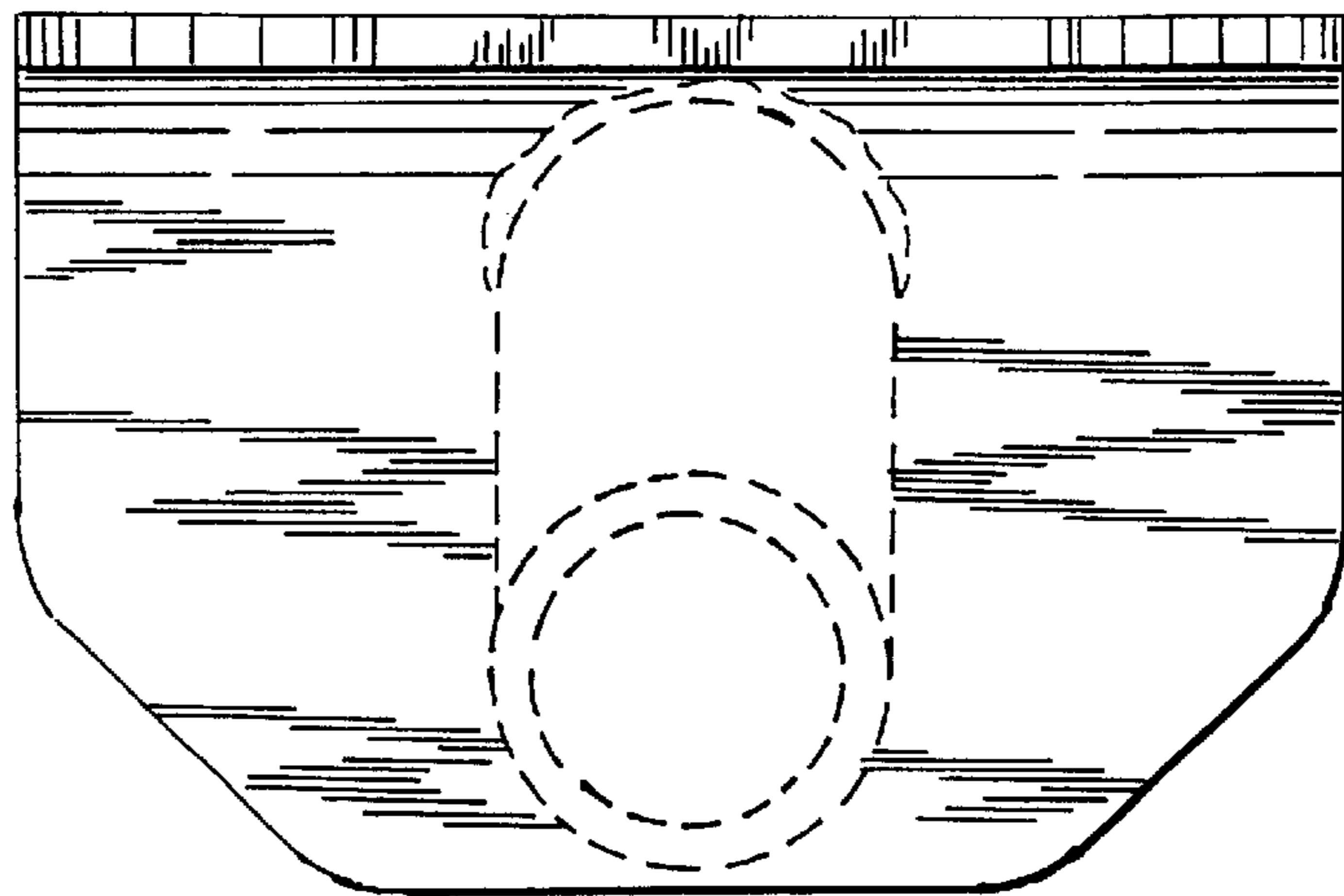


Fig. 4

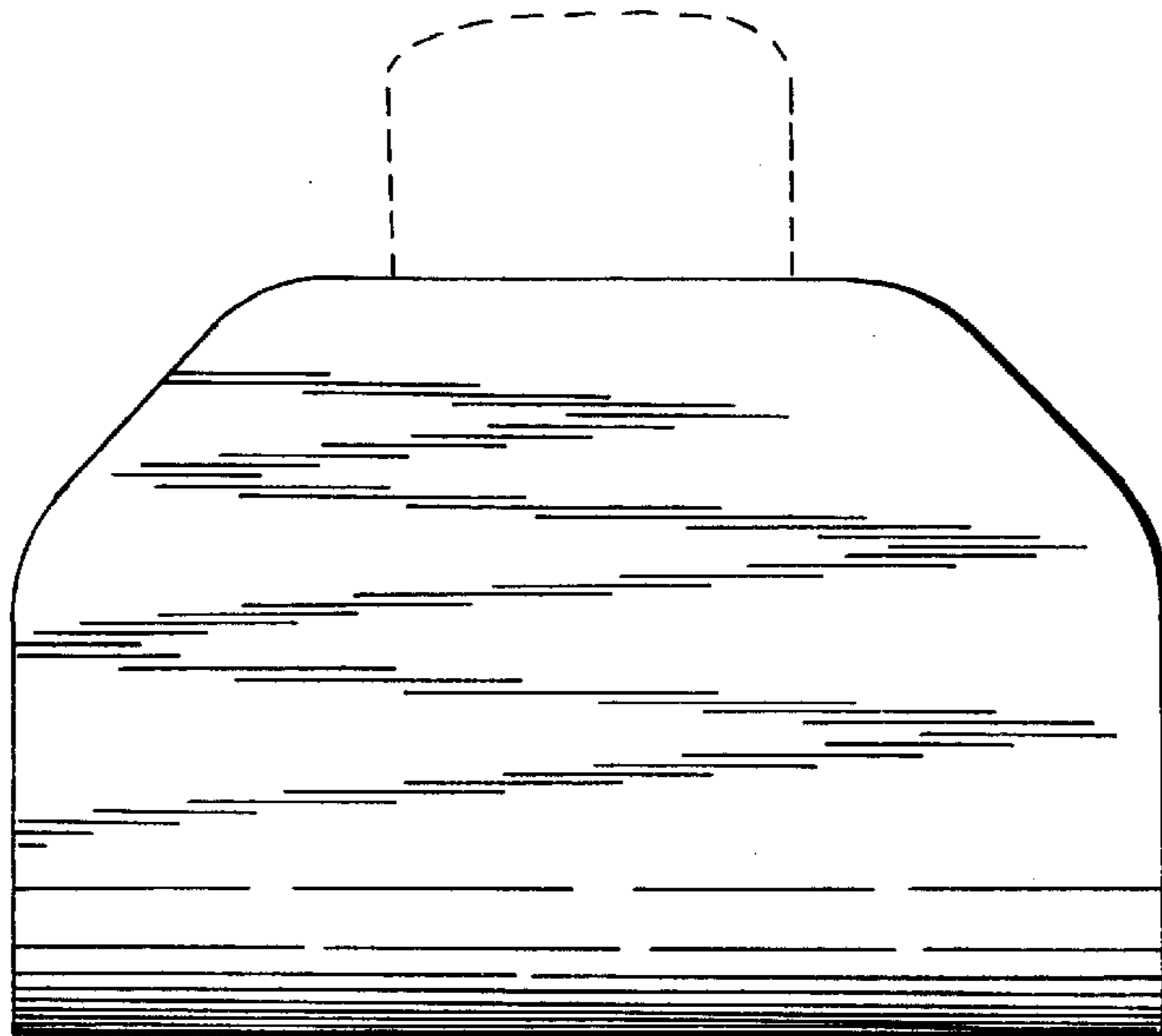


Fig. 5

Fig. 6

