



US00D474429S

(12) **United States Design Patent**  
**Weber et al.**

(10) **Patent No.:** **US D474,429 S**

(45) **Date of Patent:** **\*\* May 13, 2003**

(54) **FENDER**

D447,989 S \* 9/2001 Price ..... D12/184

(75) Inventors: **Cindy Louise Weber**, Williamsburg, VA (US); **James Heinrich Weitz**, Hoboken, NJ (US); **Alberto Mantilla**, Regal Park, NY (US); **Anthony John Baxter**, New York, NY (US)

\* cited by examiner

*Primary Examiner*—Melody N. Brown

(73) Assignee: **Deere & Company**, Moline, IL (US)

(\*\*) Term: **14 Years**

(21) Appl. No.: **29/164,184**

(22) Filed: **Jul. 19, 2002**

(51) **LOC (7) Cl.** ..... **12-16**

(52) **U.S. Cl.** ..... **D12/184**

(58) **Field of Search** ..... D12/184, 14, 15, D12/96, 16; D15/17, 23, 28; 280/848, 152.1, 153.1

(56) **References Cited**

**U.S. PATENT DOCUMENTS**

D327,484 S	6/1992	Flenniken et al. ....	D15/17
D344,059 S	2/1994	DeBaal et al. ....	D12/184
D344,960 S	3/1994	Patterson et al. ....	D15/17
D347,614 S	* 6/1994	DeBaal et al. ....	D12/184
5,509,710 A	4/1996	Eavenson, Sr. et al. ....	296/19
D403,639 S	* 1/1999	Gale et al. ....	D12/184
D447,491 S	9/2001	Goebert et al. ....	D15/17

(57) **CLAIM**

The ornamental design for a fender, as shown and described.

**DESCRIPTION**

FIG. 1 is a front right elevated perspective view of a fender showing our new design.

FIG. 2 is a front right elevated perspective view of the fender design of FIG. 1.

FIG. 3 is a top plan view of the fender design of FIG. 1.

FIG. 4 is a right side view of the fender design of FIG. 1.

FIG. 5 is a front view of the fender design of FIG. 1.

FIG. 6 is a bottom view of the fender design of FIG. 1.

FIG. 7 is a rear view of the fender design of FIG. 1.

FIG. 8 is a left elevated perspective view of a fender design showing a second embodiment of our new design, the broken line showings of the vehicle being for illustrative purposes only, and forming no part of the claimed design.

FIG. 9 is a left elevated perspective view of the fender design of FIG. 8.

FIG. 10 is a top plan view of the fender design of FIG. 8.

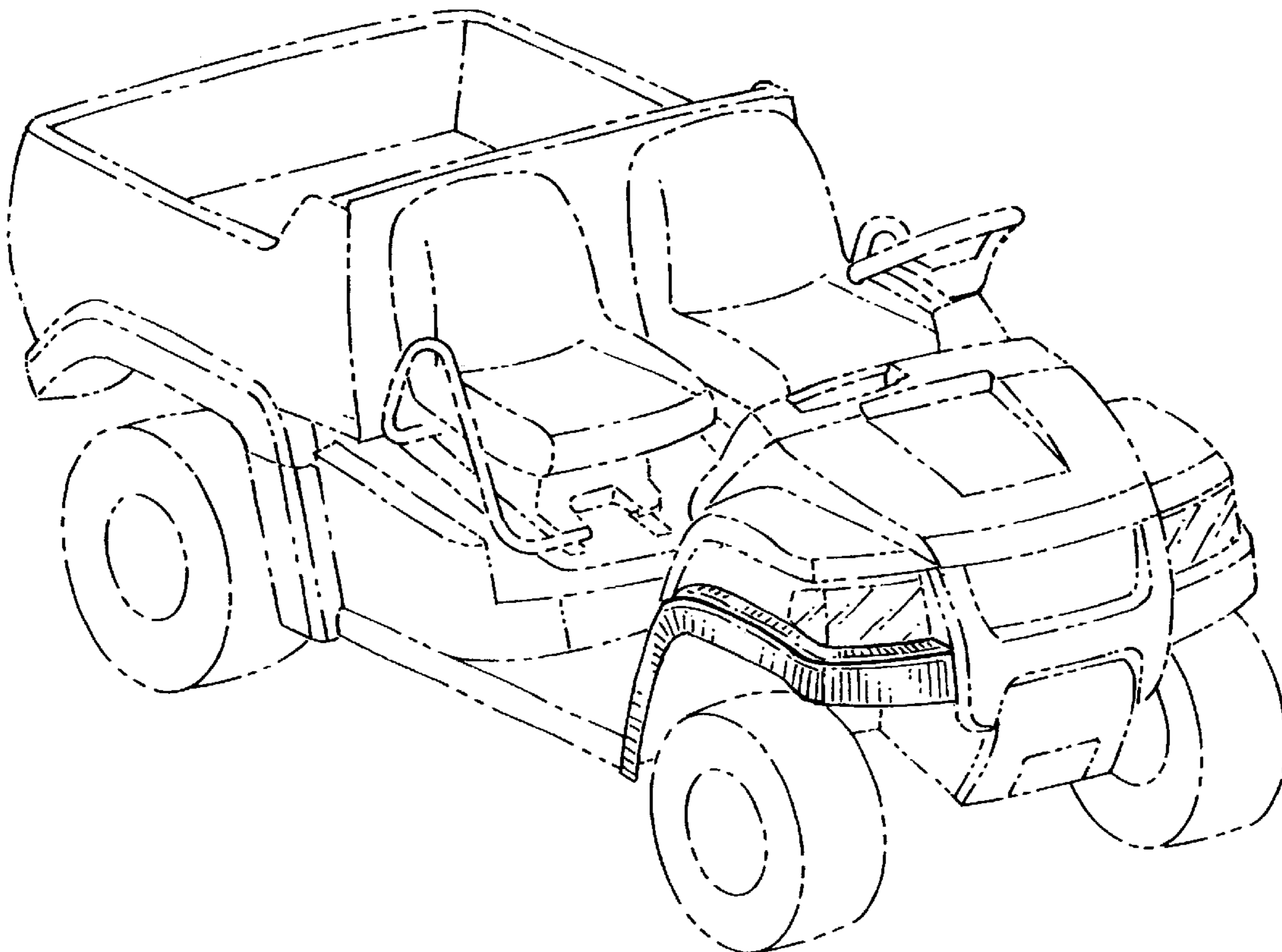
FIG. 11 is a left side view of the fender design of FIG. 8.

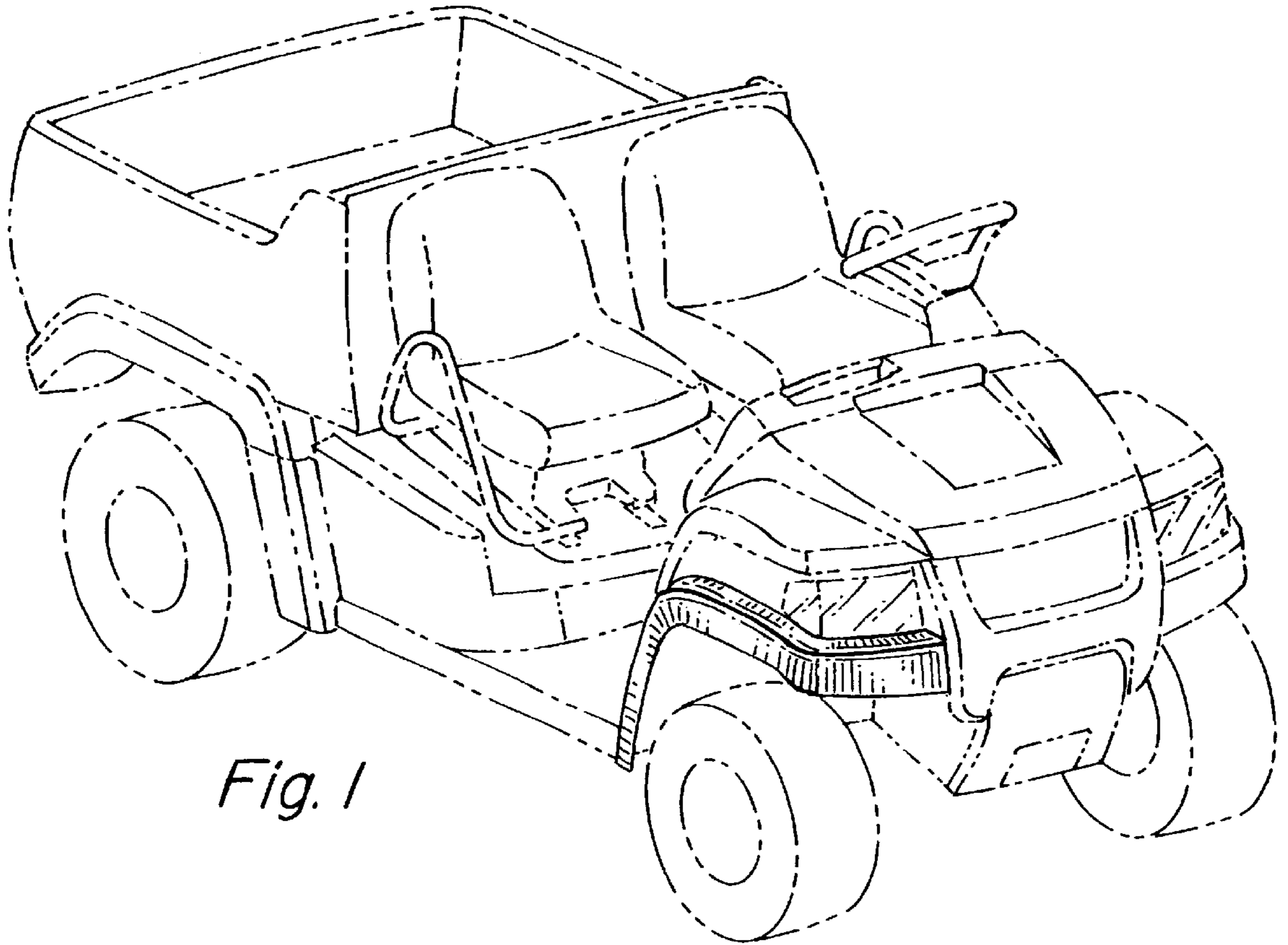
FIG. 12 is a front view of the fender design of FIG. 8.

FIG. 13 is a bottom view of the fender design of FIG. 8; and,

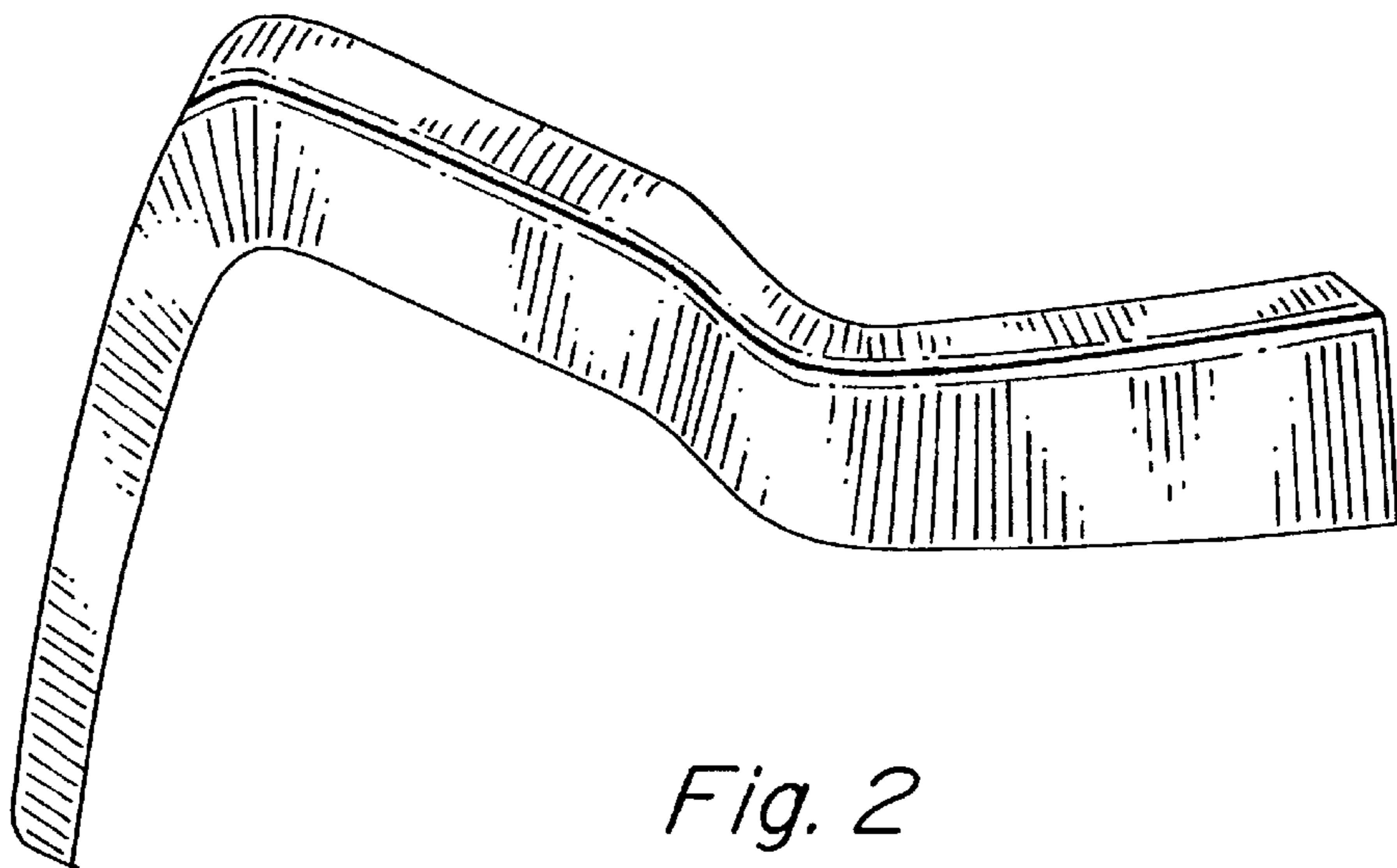
FIG. 14 is a rear view of the fender design of FIG. 8.

**1 Claim, 4 Drawing Sheets**

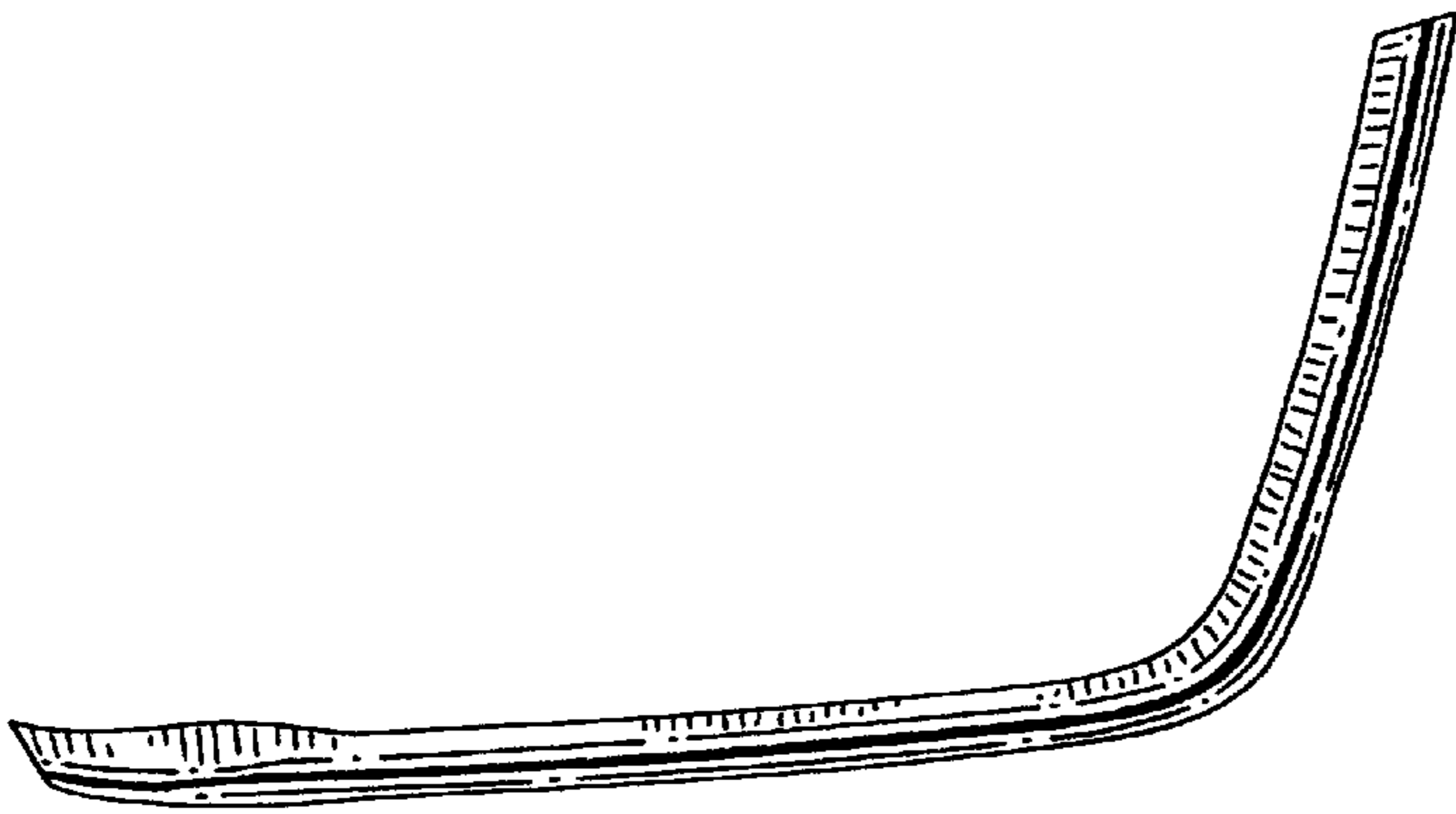




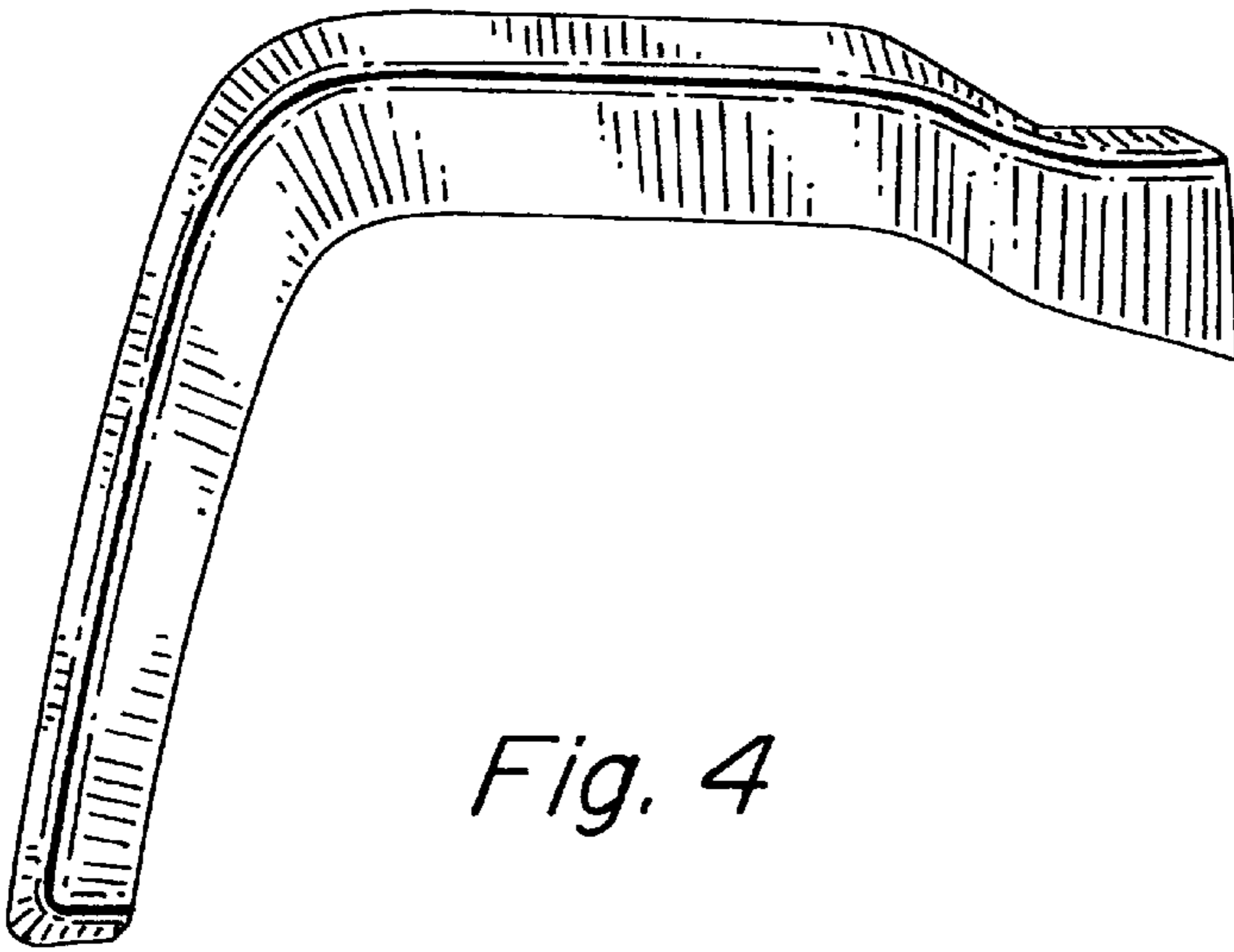
*Fig. 1*



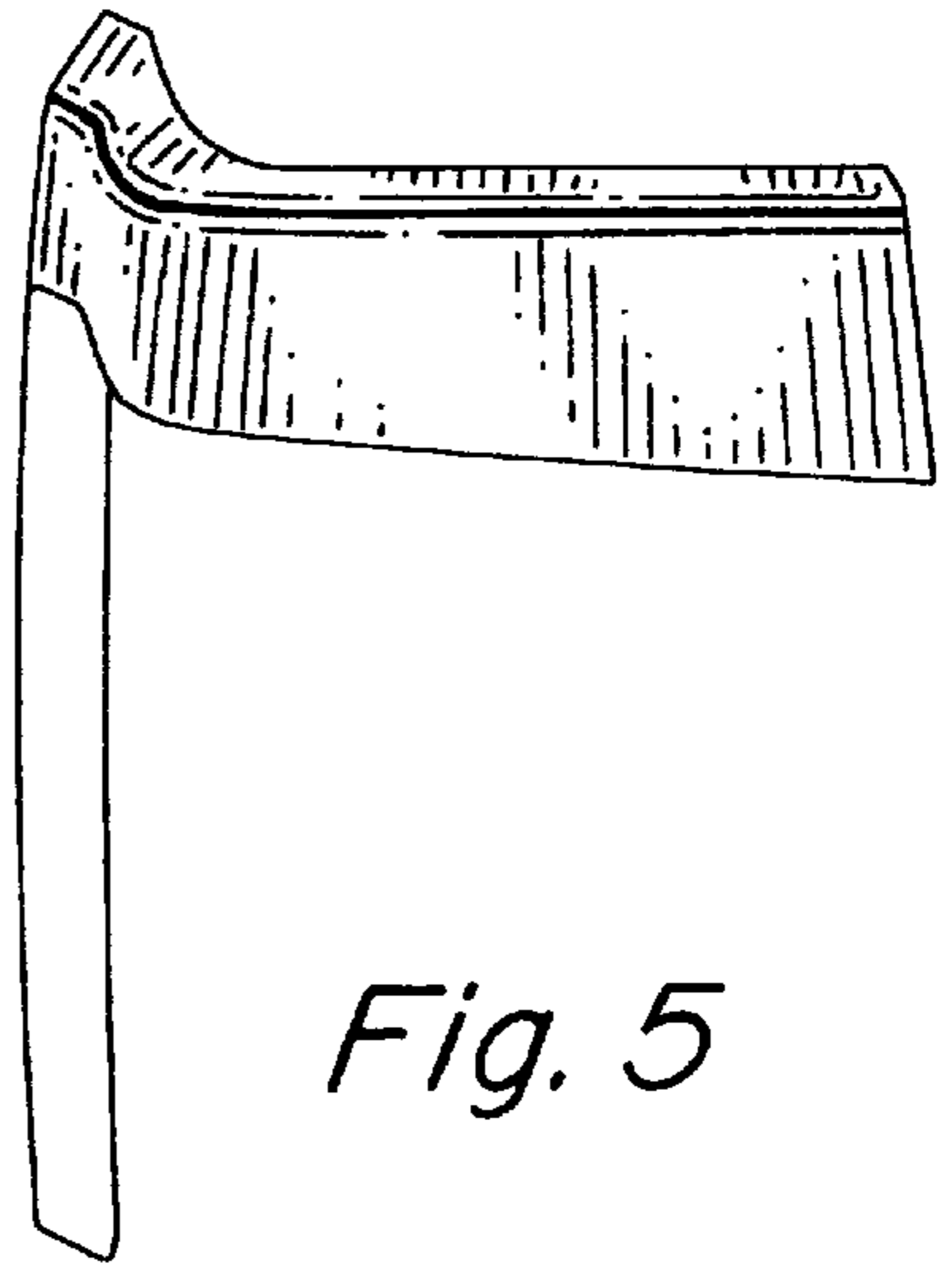
*Fig. 2*



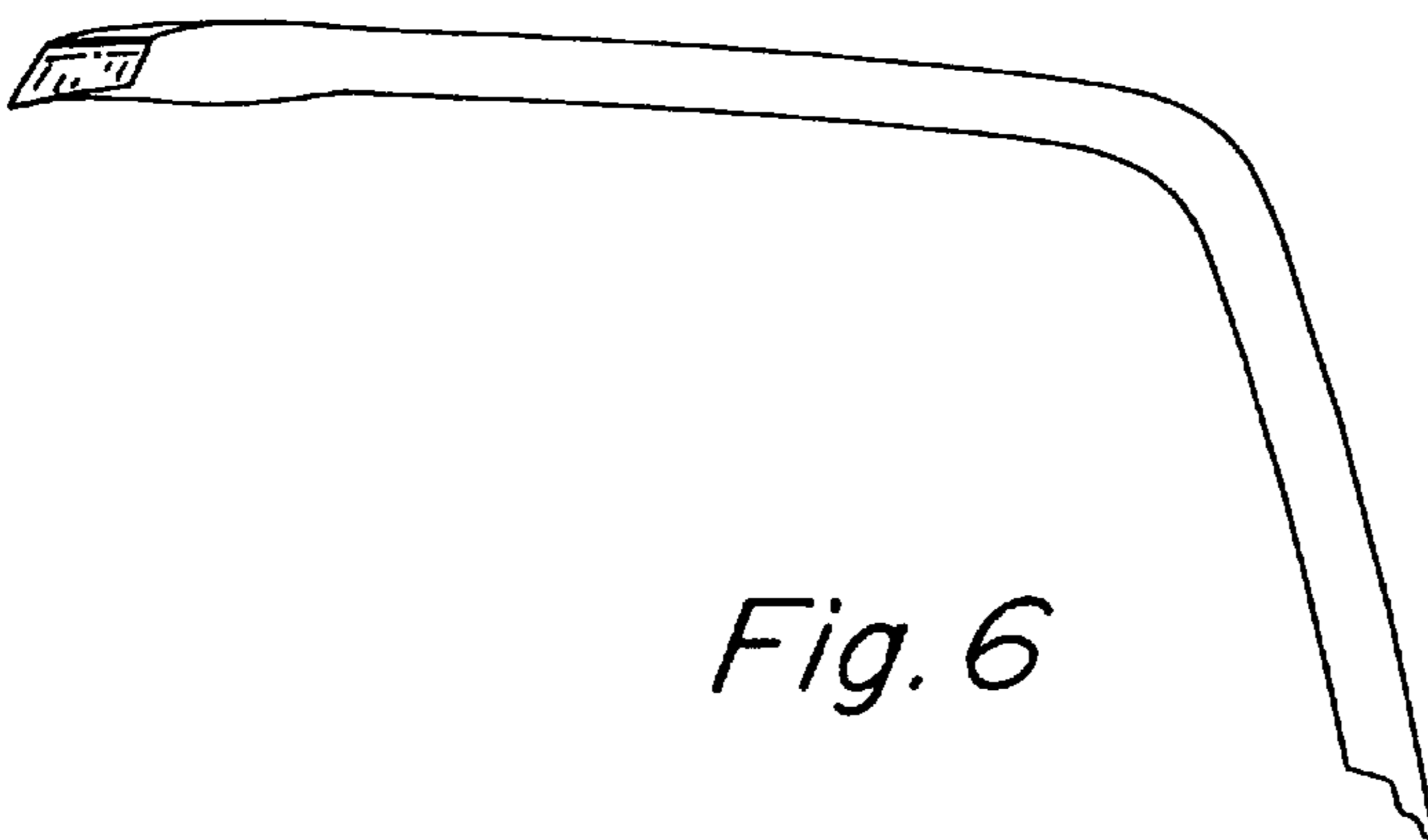
*Fig. 3*



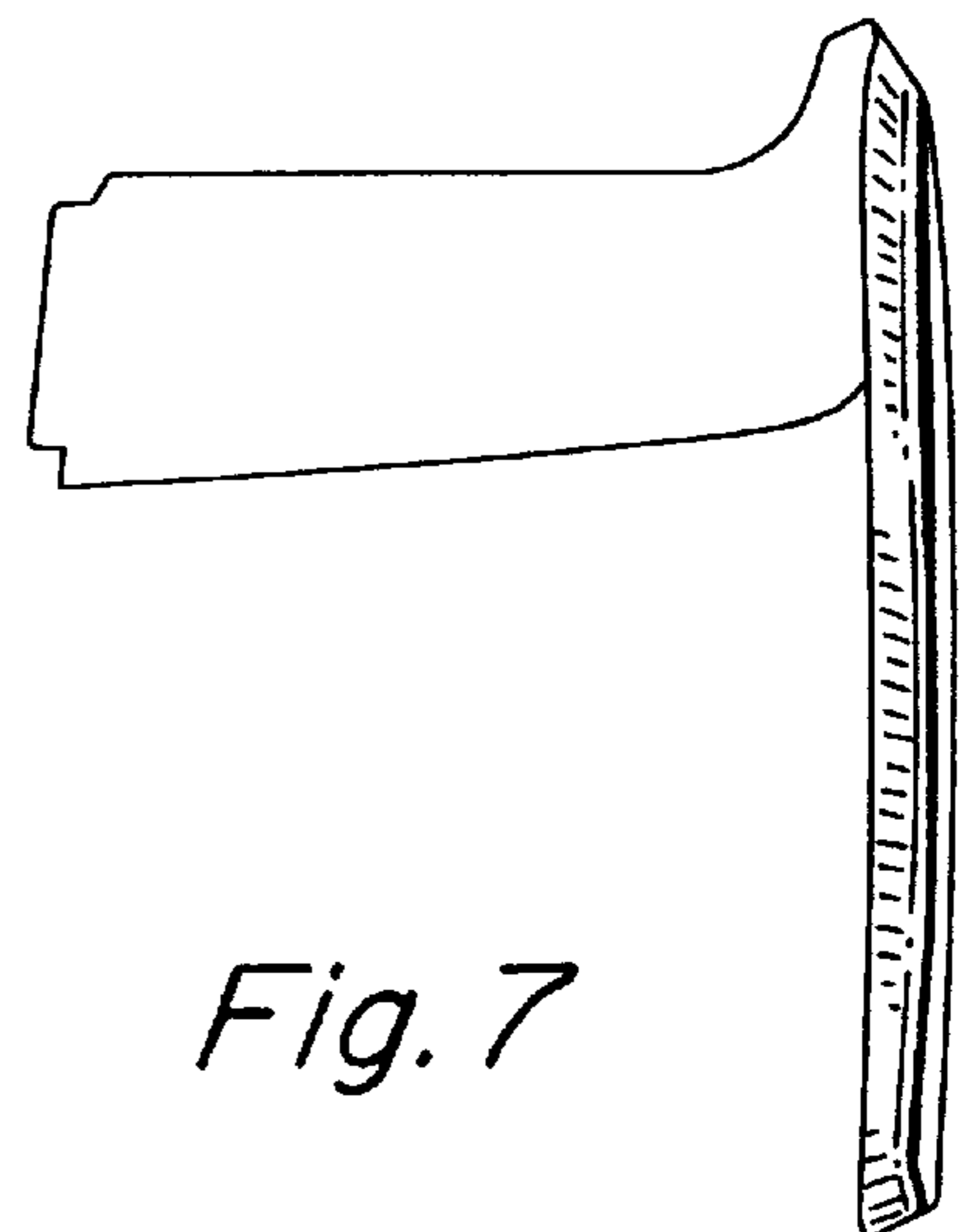
*Fig. 4*



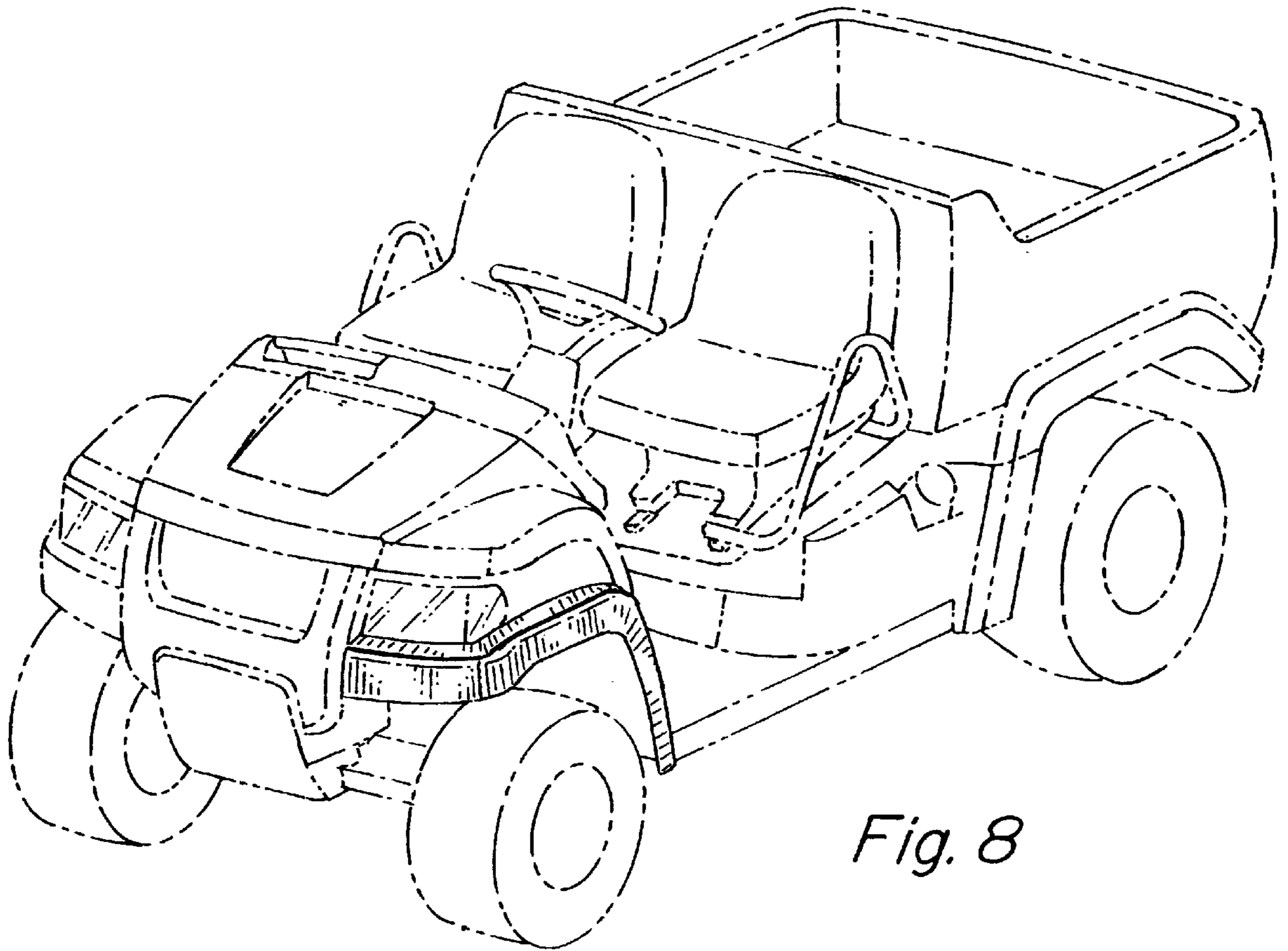
*Fig. 5*



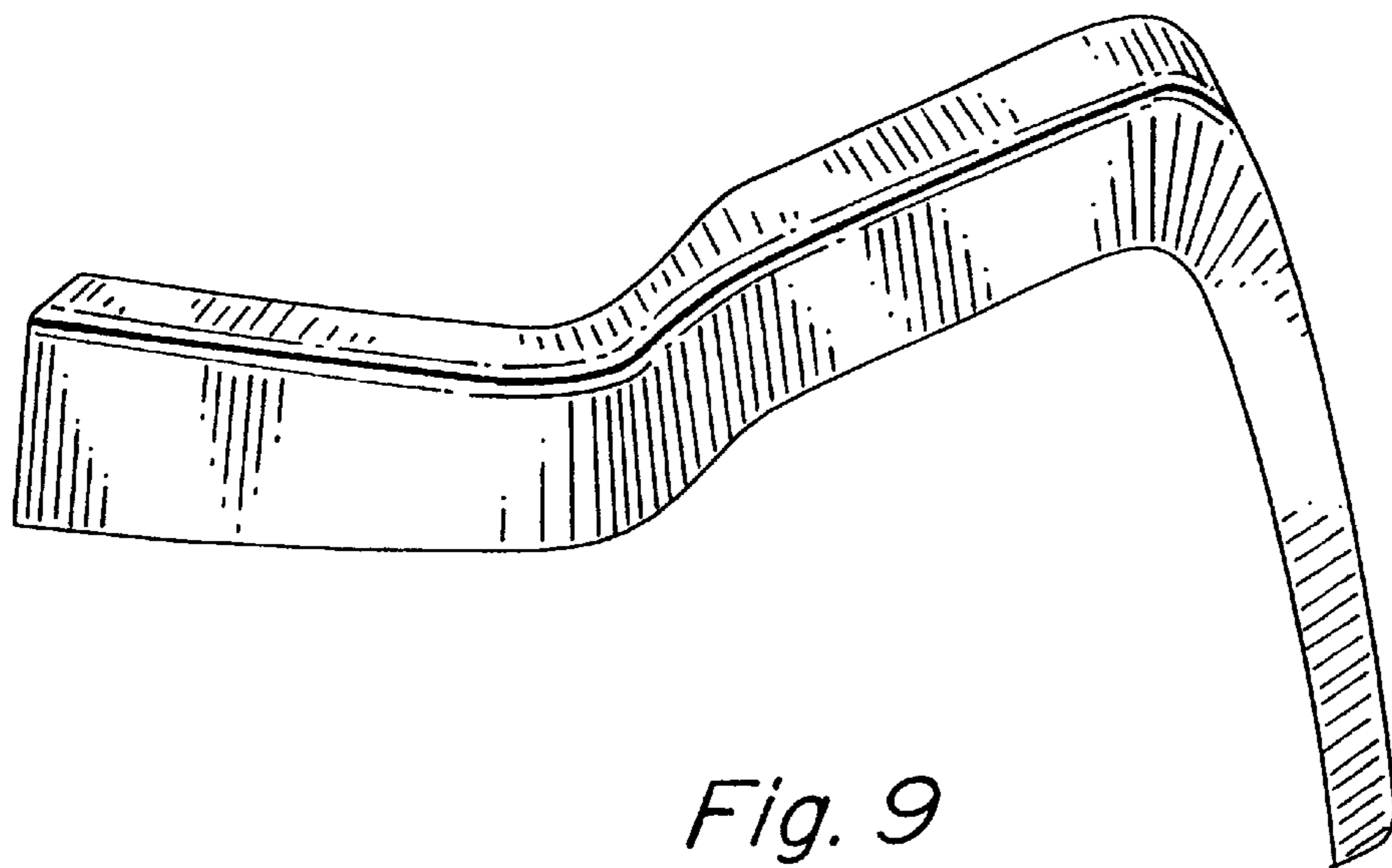
*Fig. 6*



*Fig. 7*

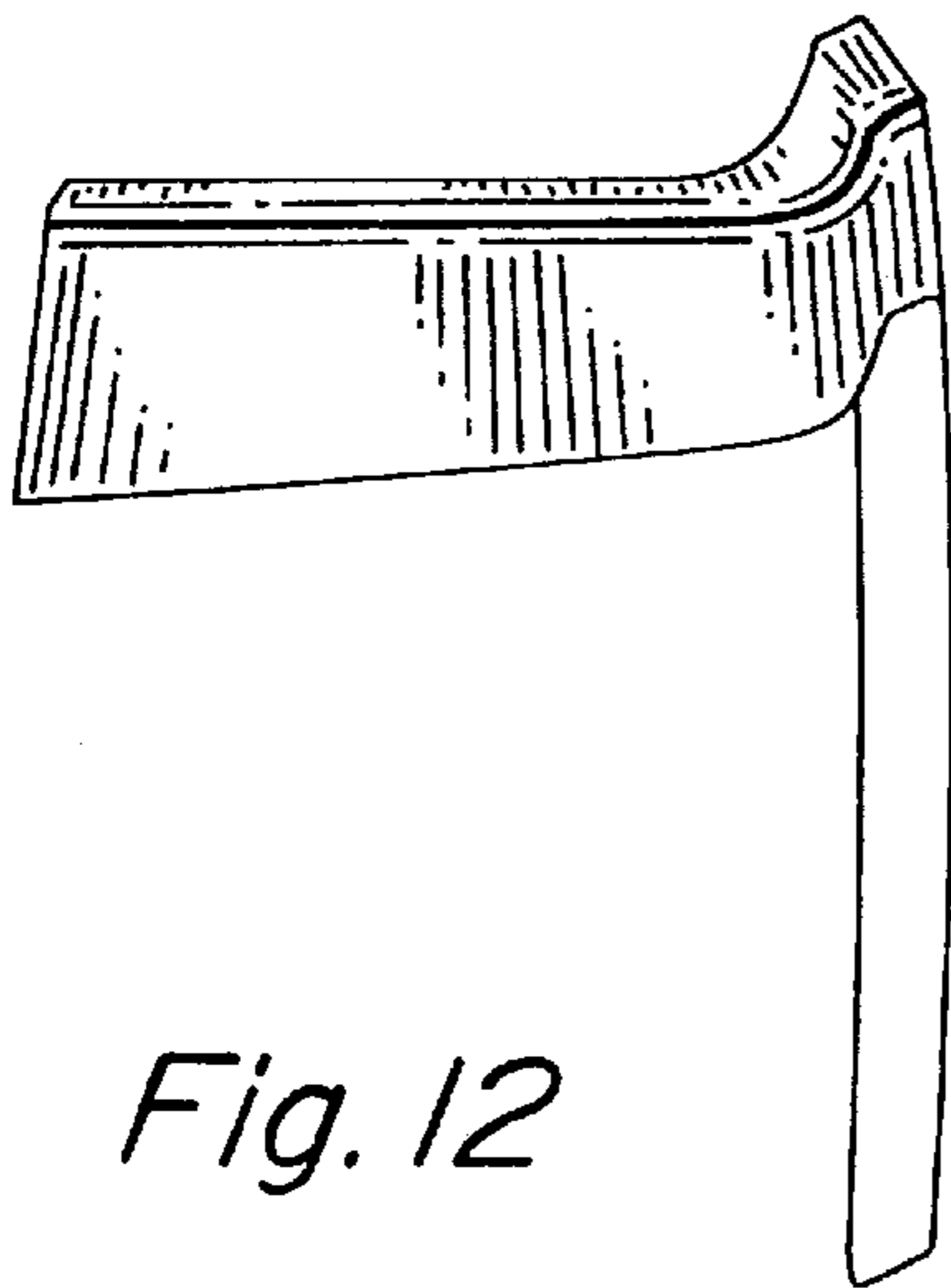
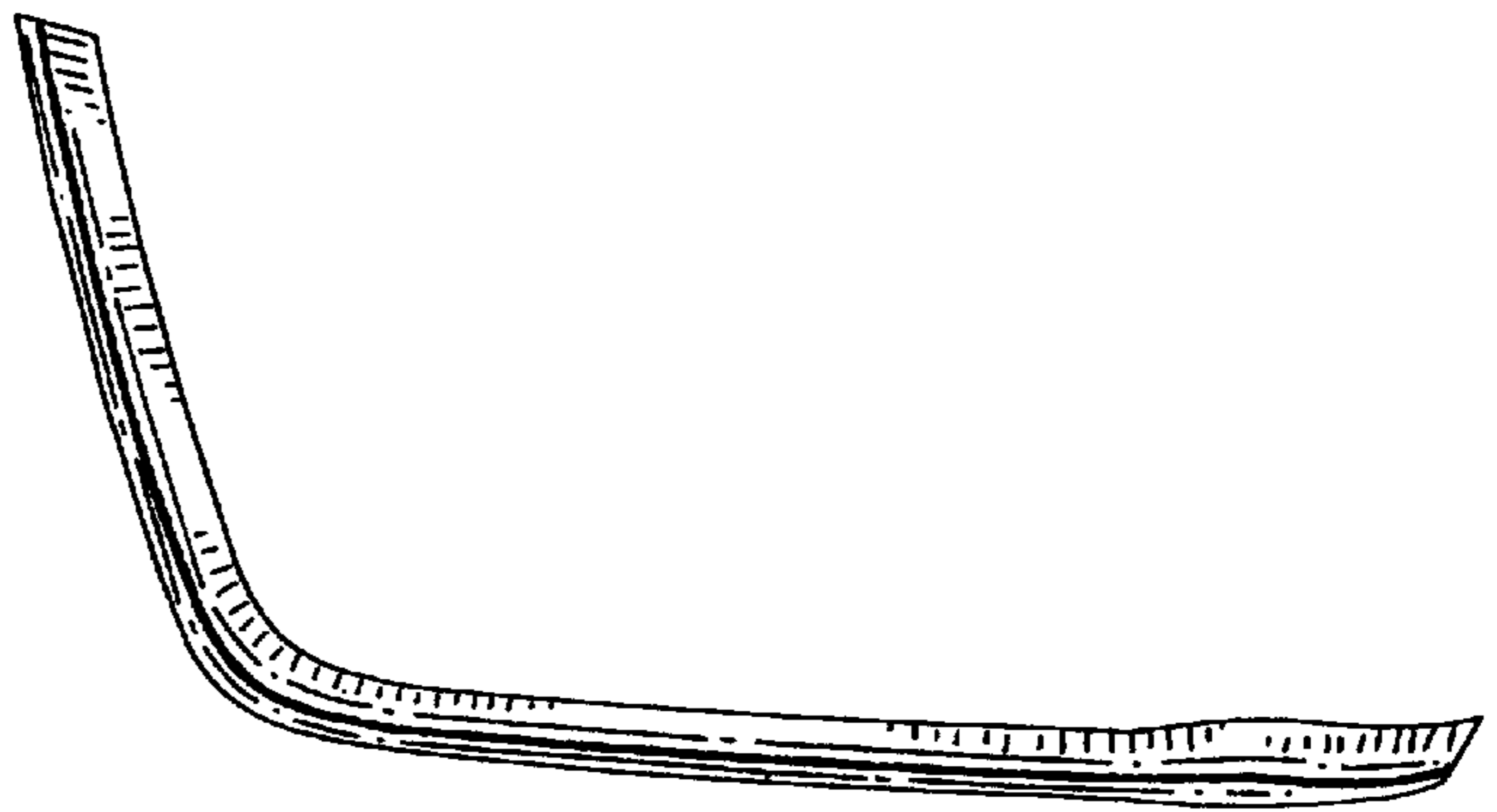


*Fig. 8*

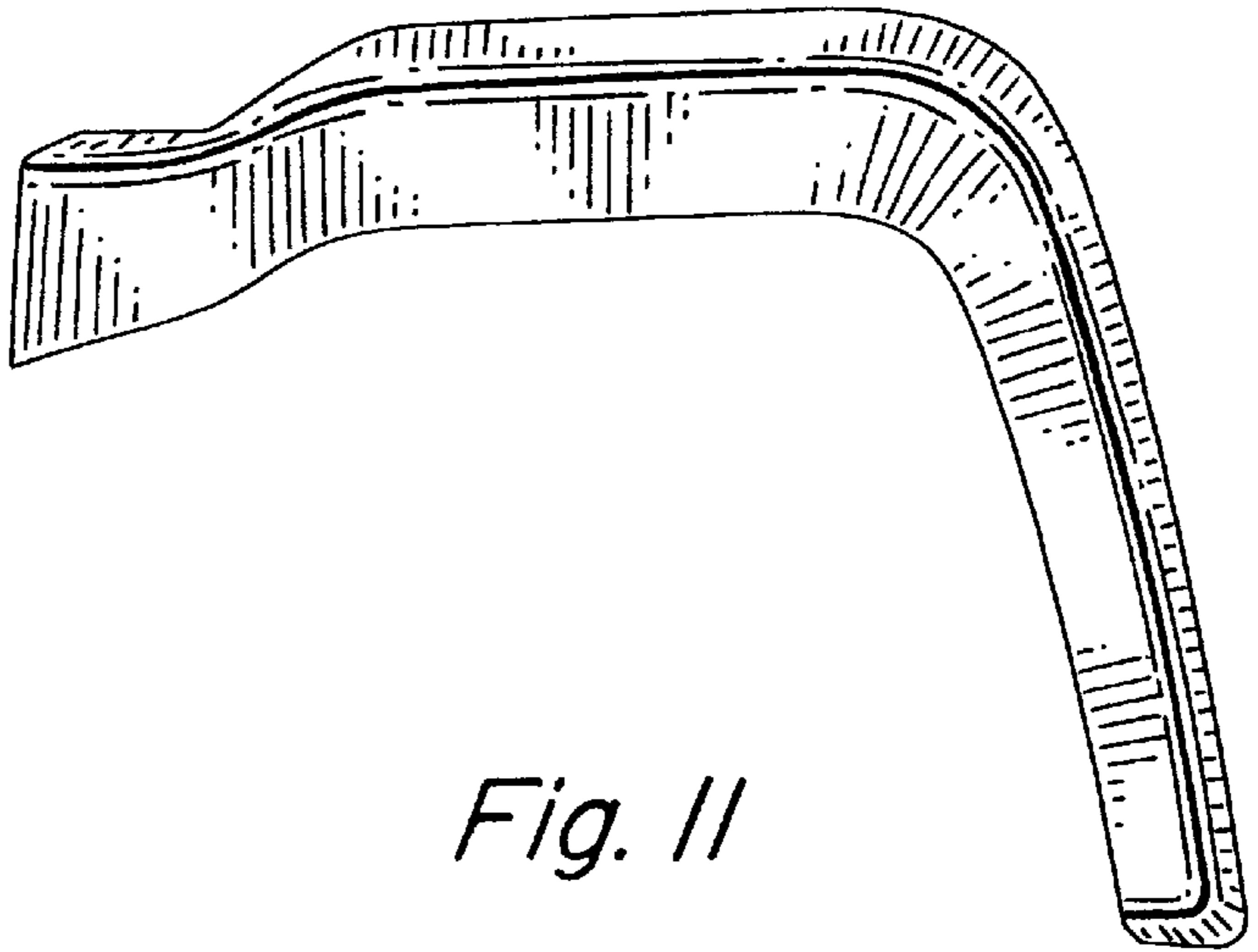


*Fig. 9*

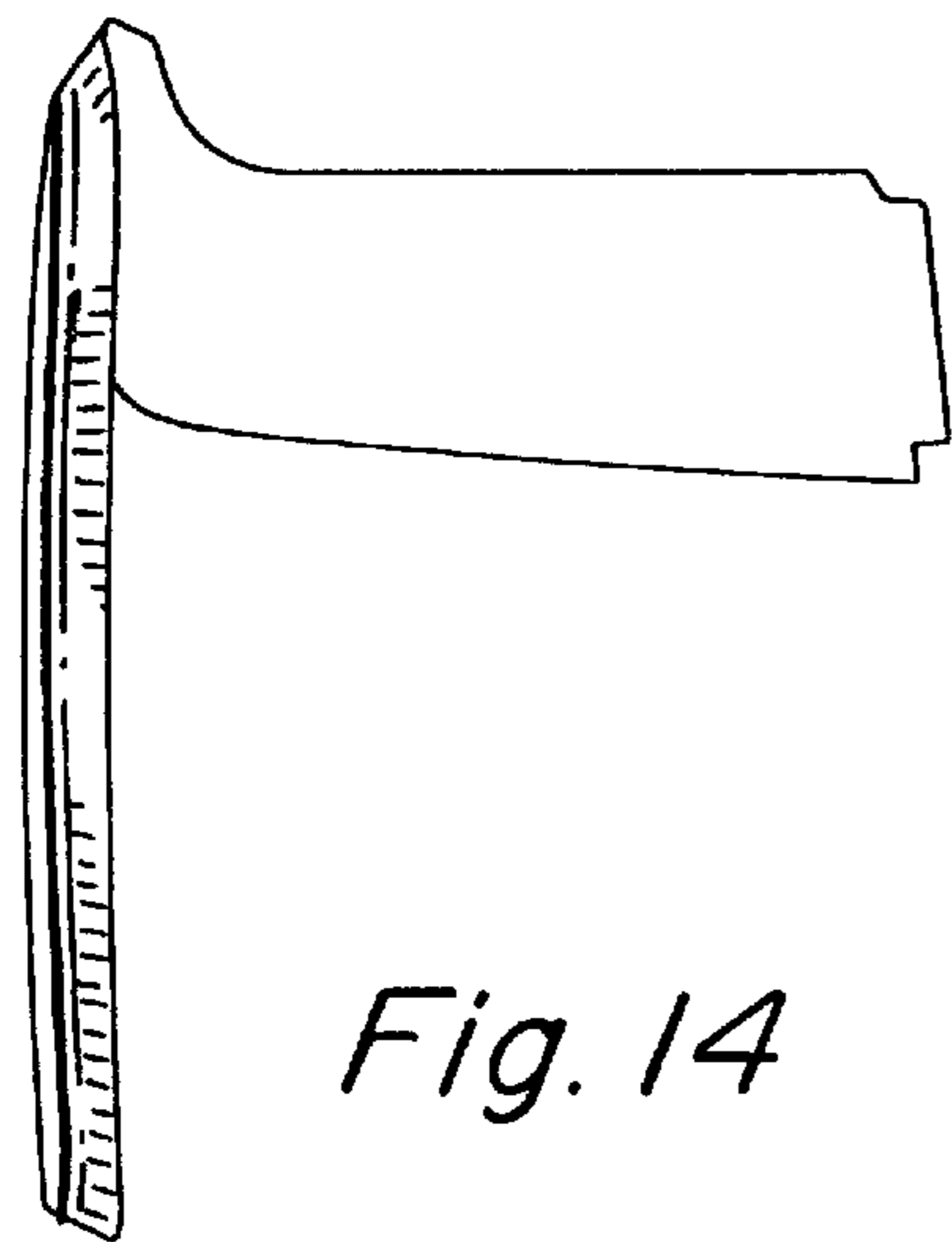
*Fig. 10*



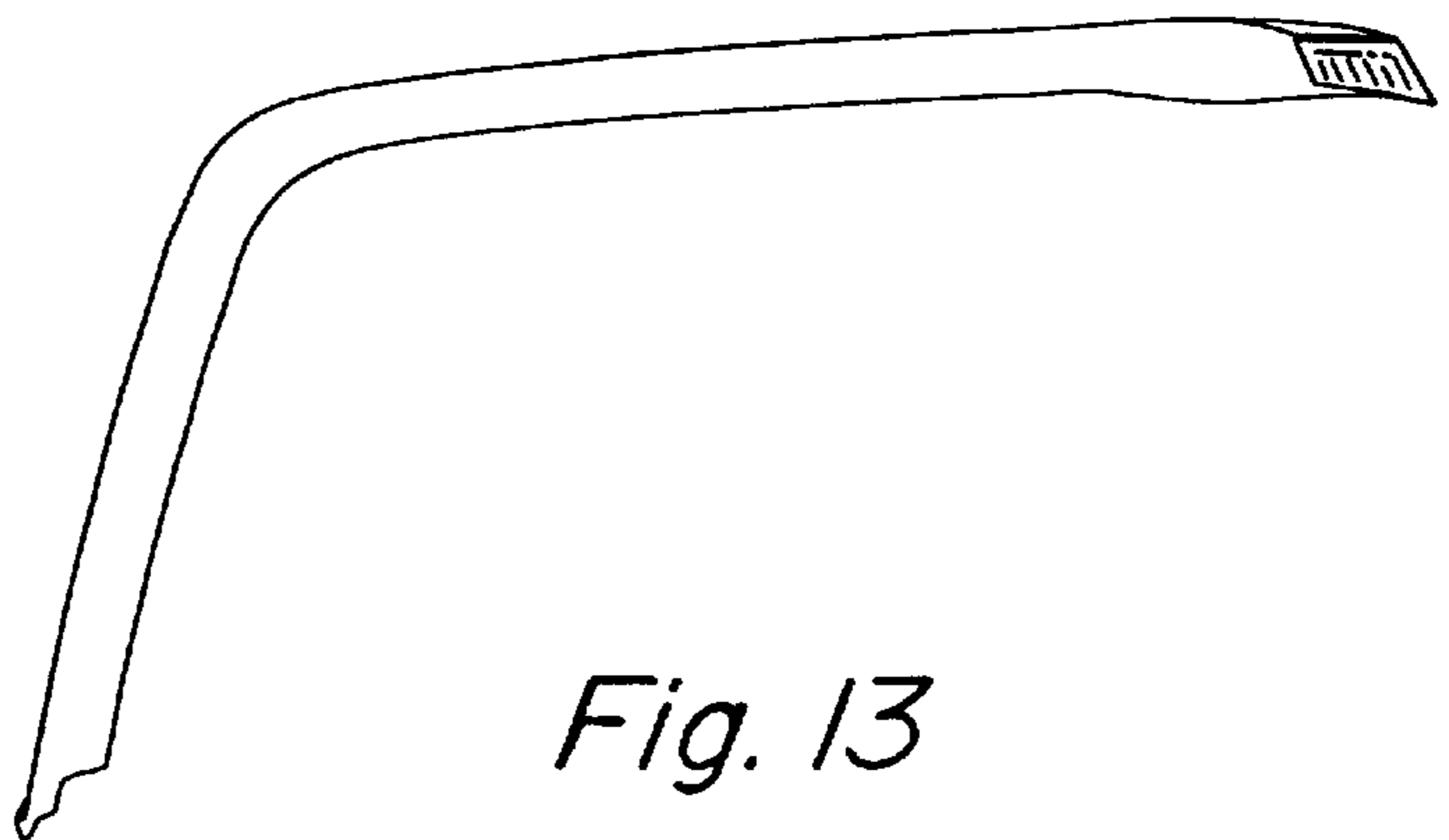
*Fig. 12*



*Fig. 11*



*Fig. 14*



*Fig. 13*