



US00D474416S

(12) **United States Design Patent**
Oonuma et al.

(10) **Patent No.:** **US D474,416 S**

(45) **Date of Patent:** **** May 13, 2003**

(54) **BIOCHEMICAL ANALYSIS MACHINE**

(75) Inventors: **Mitsuru Oonuma**, Tokyo (JP);
Hiroyasu Uchida, Hitachinaka (JP);
Takeshi Shibuya, Hitachinaka (JP)

(73) Assignee: **Hitachi High-Technologies**, Tokyo (JP)

(**) Term: **14 Years**

(21) Appl. No.: **29/161,117**

(22) Filed: **May 24, 2002**

(30) **Foreign Application Priority Data**

Feb. 28, 2002 (JP) 2002-005152

(51) **LOC (7) Cl.** **10-04**

(52) **U.S. Cl.** **D10/81**

(58) **Field of Search** D10/81; D24/232,
D24/233; 250/288, 221; 422/60-64, 65,
81, 100, 102, 68.1, 67

(56) **References Cited**

U.S. PATENT DOCUMENTS

5,271,899 A * 12/1993 Carbonari 422/67
5,314,825 A * 5/1994 Weyrauch et al. 422/67 X
5,534,225 A * 7/1996 Seto et al. 422/64

5,660,793 A * 8/1997 Seto et al. 422/64
5,762,872 A * 6/1998 Buhler et al. 422/64
D399,964 S * 10/1998 Katayama et al. D24/186

* cited by examiner

Primary Examiner—Antoine Duval Davis

(74) *Attorney, Agent, or Firm*—Antonelli, Terry, Stout, & Kraus, LLP

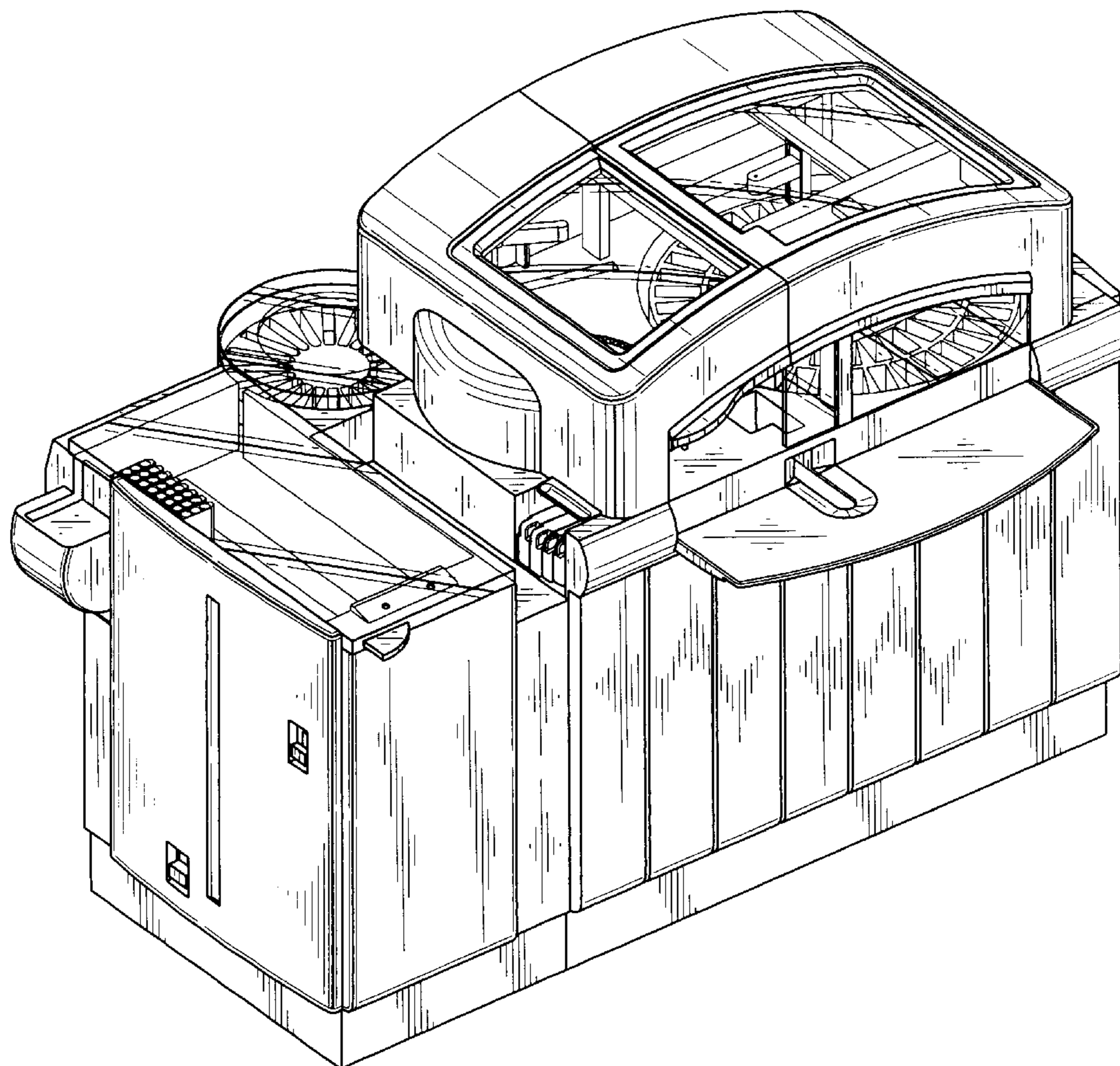
(57) **CLAIM**

The ornamental design for a biochemical analysis machine, as shown.

DESCRIPTION

FIG. 1 is a front, top and left side perspective view of a biochemical analysis machine showing our new design; FIG. 2 is a front elevational view thereof; FIG. 3 is a rear side elevational view thereof; FIG. 4 is a left side elevational view thereof; FIG. 5 is a right side elevational view thereof; FIG. 6 is a top plan view thereof; FIG. 7 is a bottom plan view thereof; FIG. 8 is a front, top and left side perspective view thereof showing the front table in its stored position; and, FIG. 9 is a front, top and left side perspective view thereof with the cover opened.

1 Claim, 8 Drawing Sheets



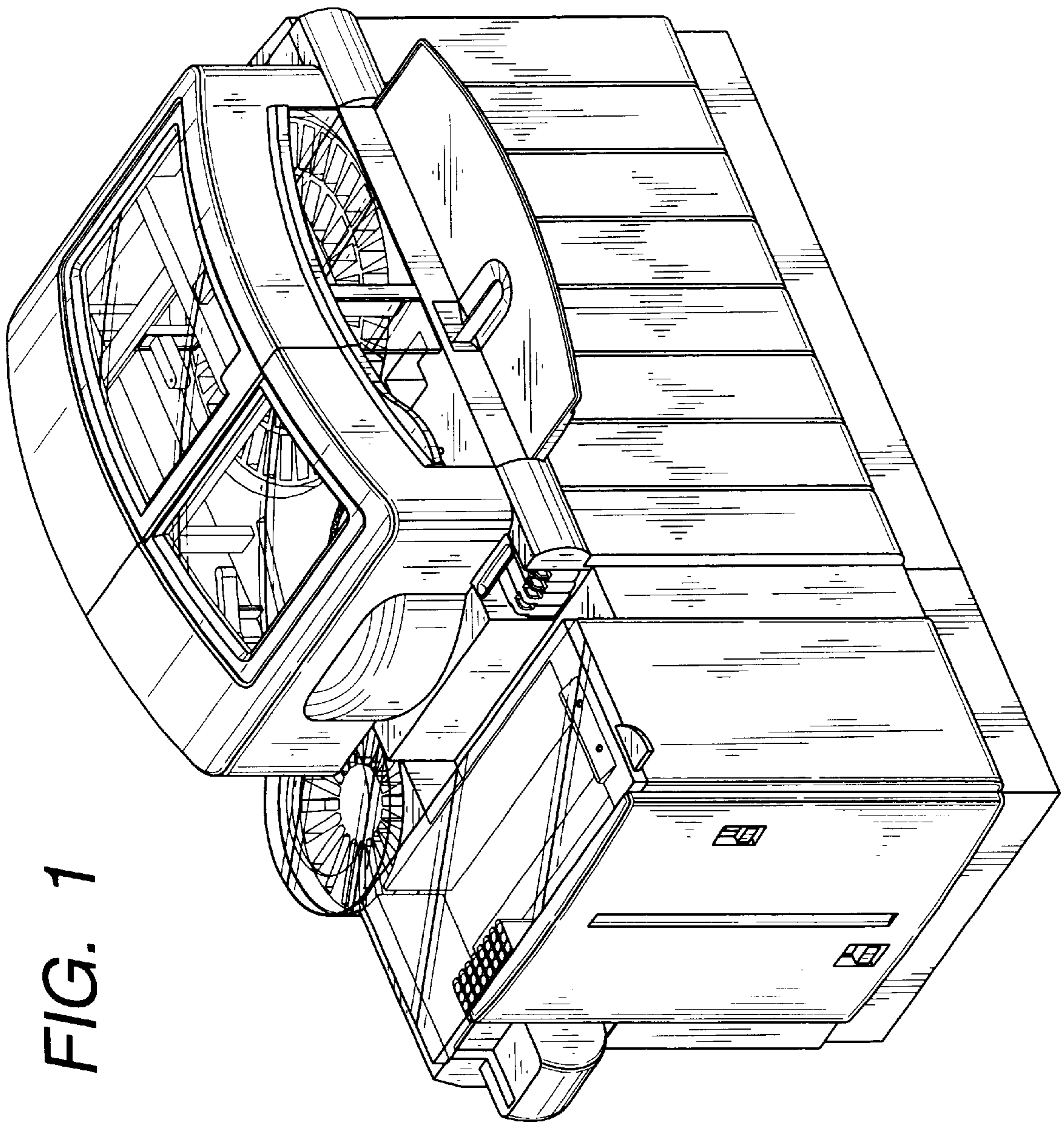


FIG. 1

FIG. 2

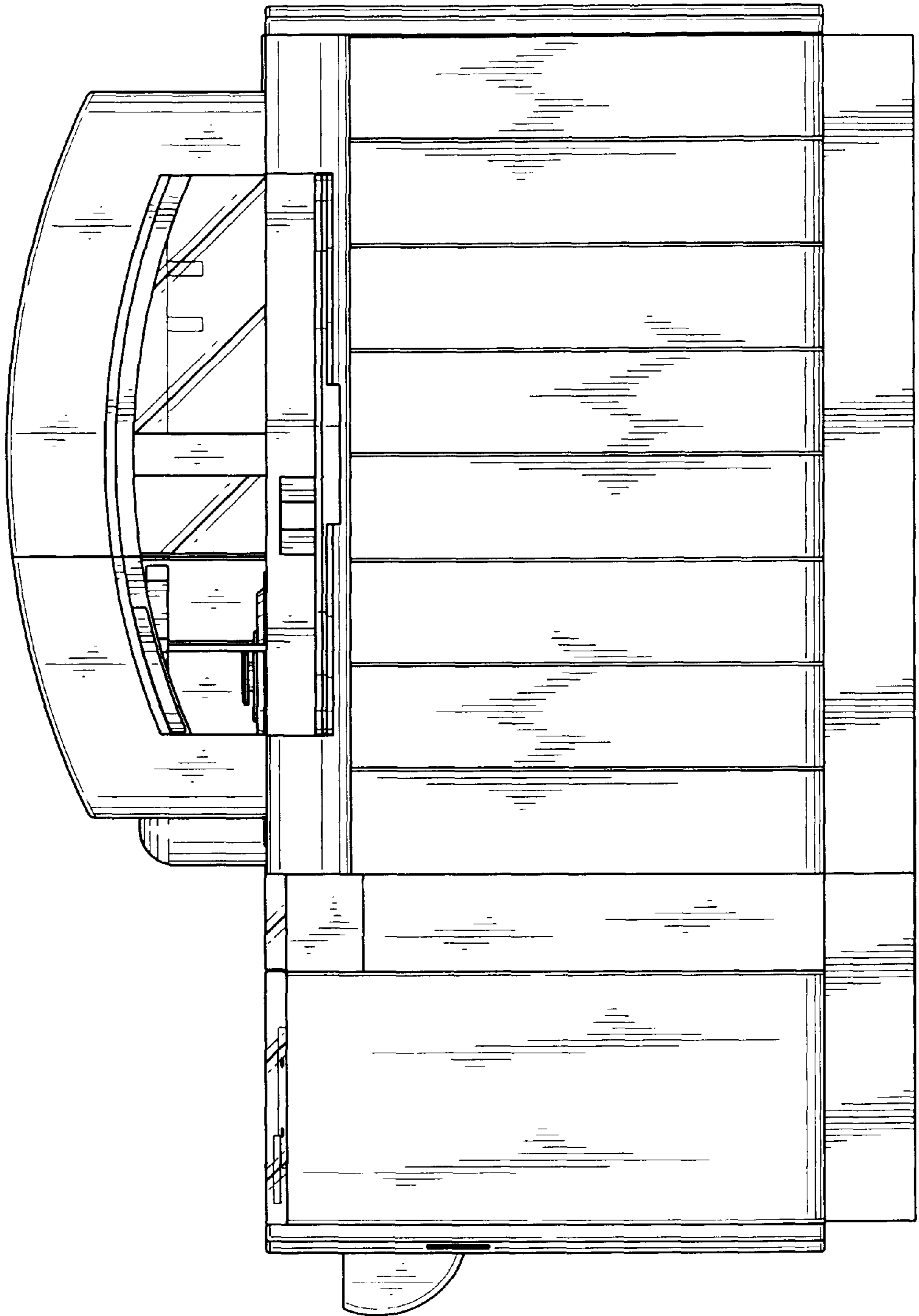


FIG. 3

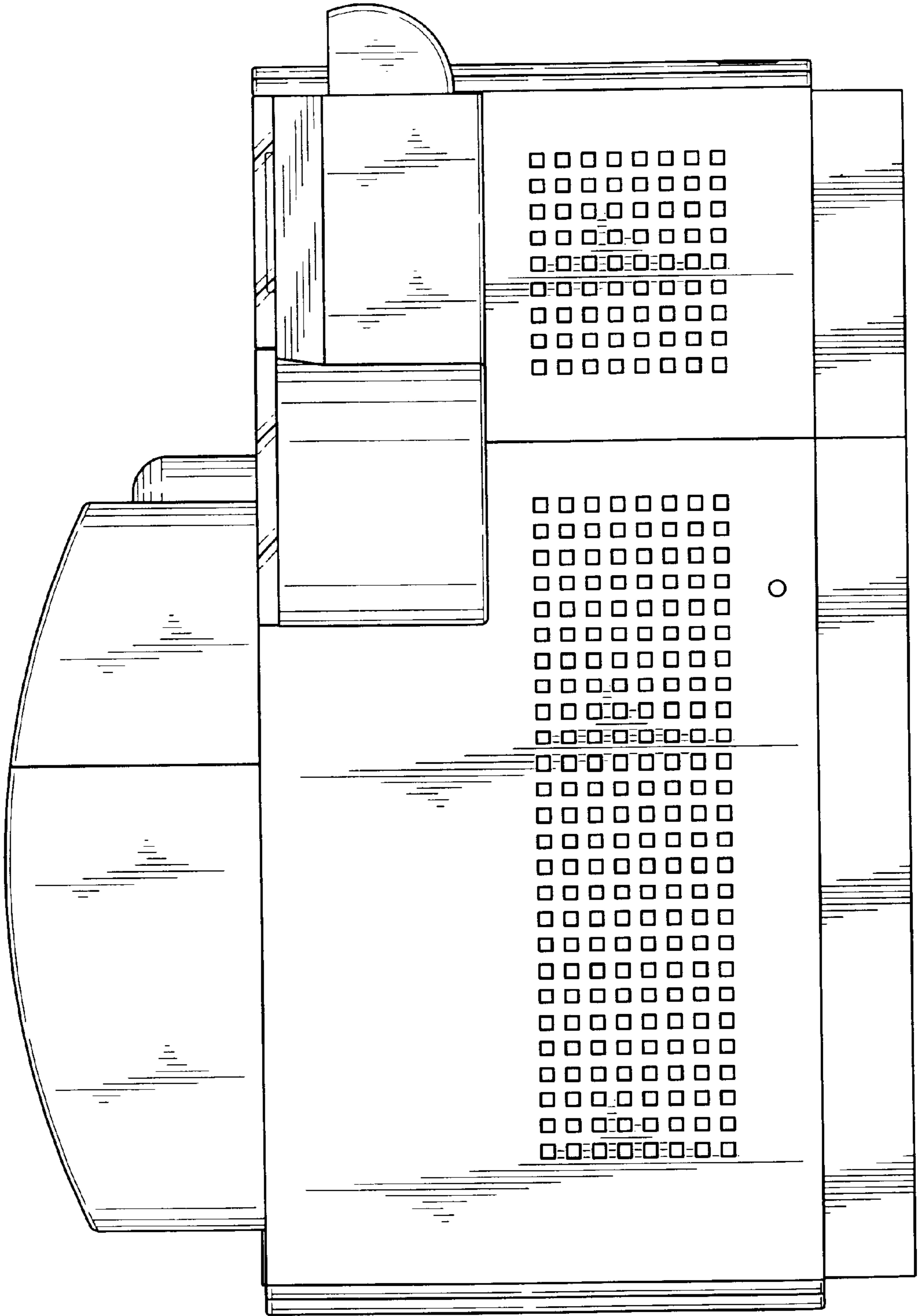


FIG. 5

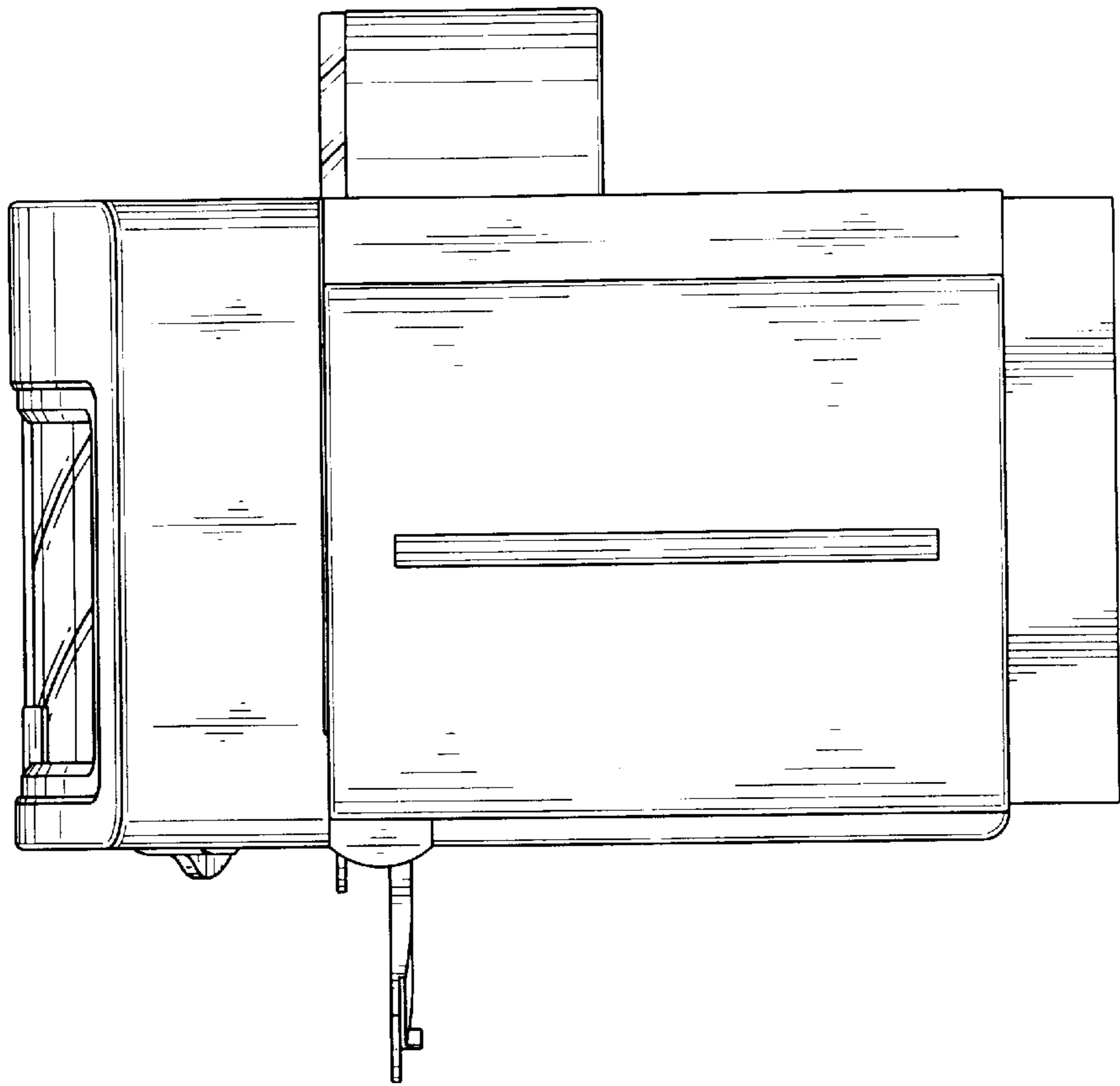


FIG. 4

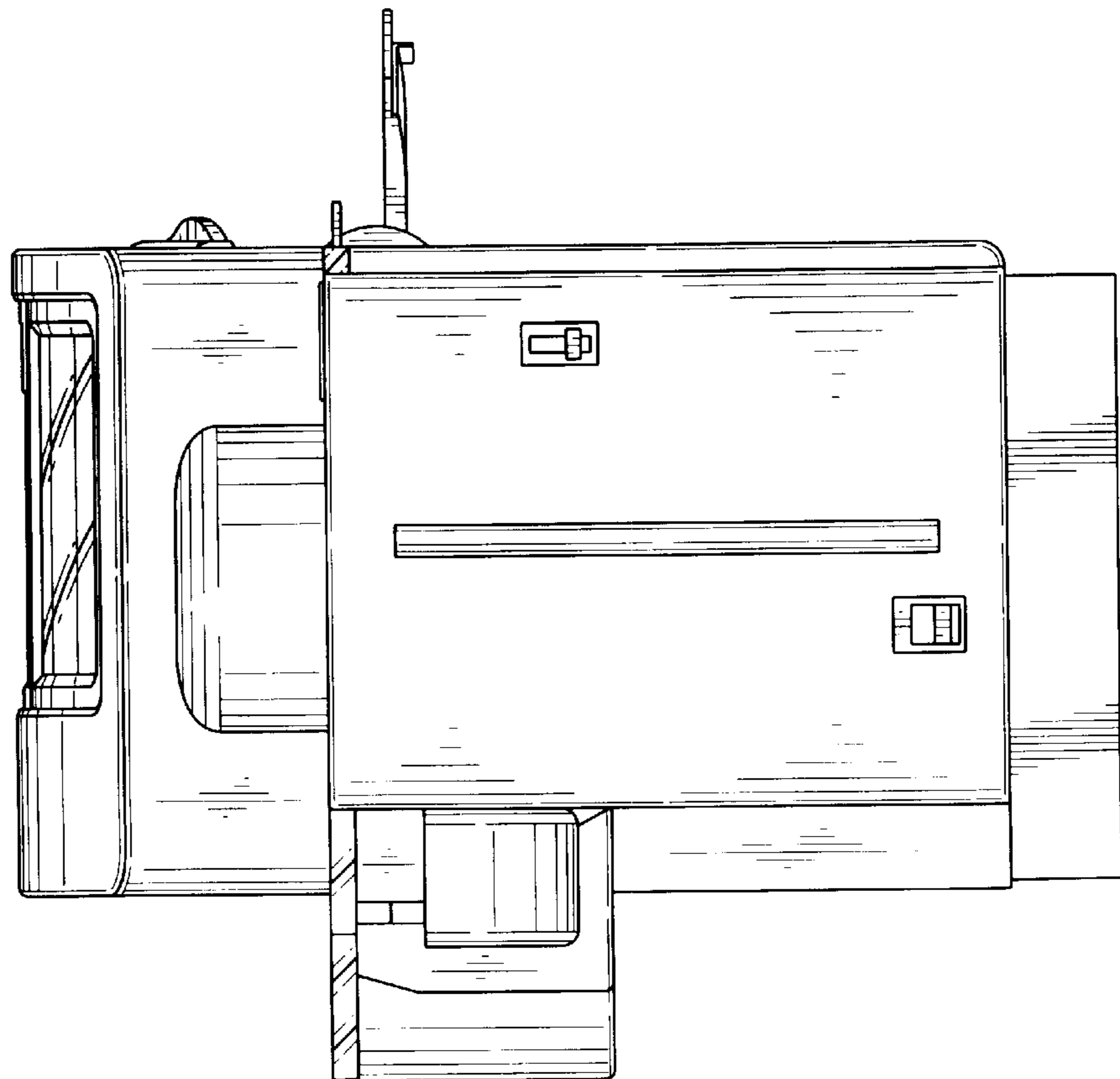


FIG. 6

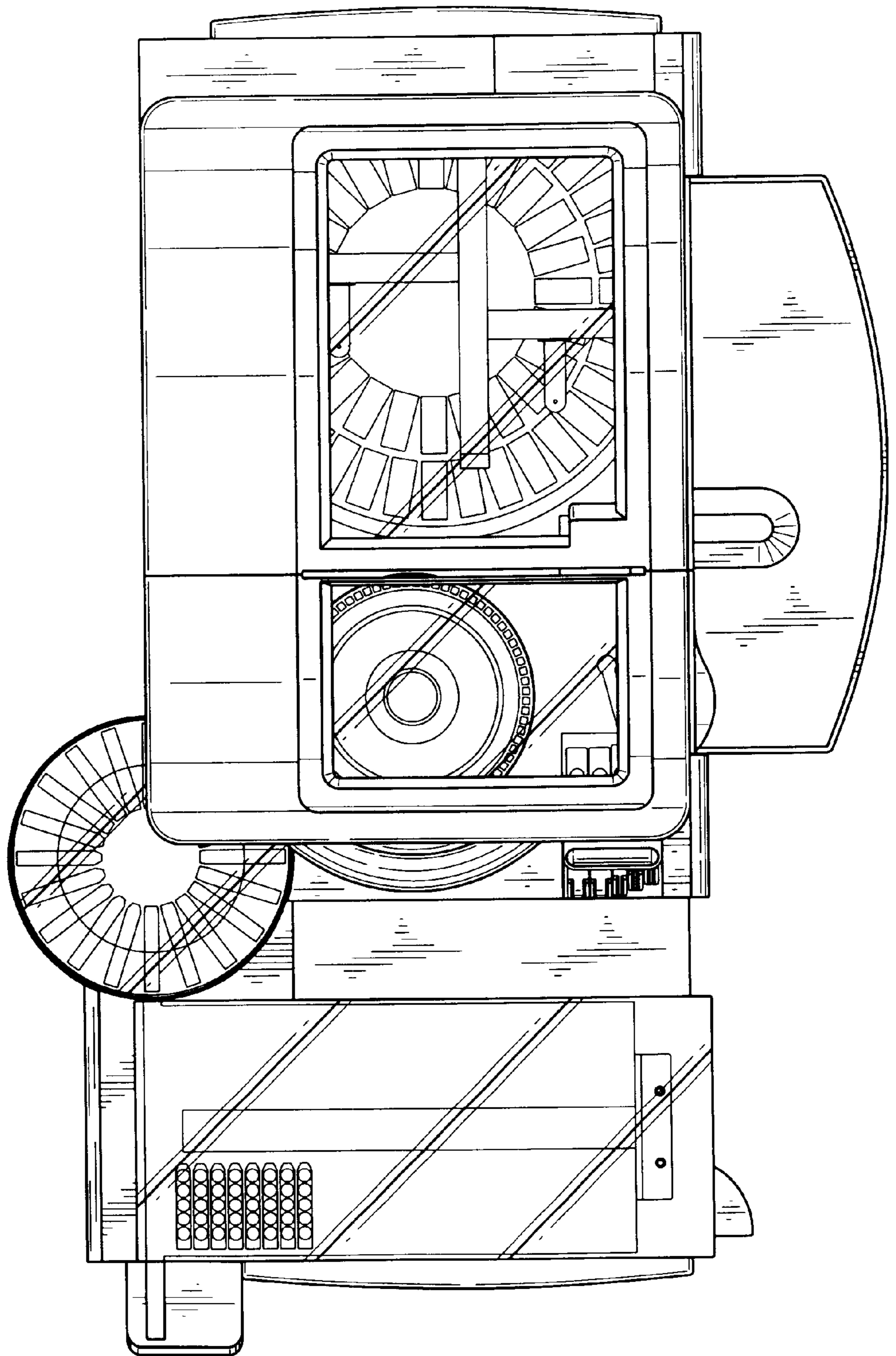
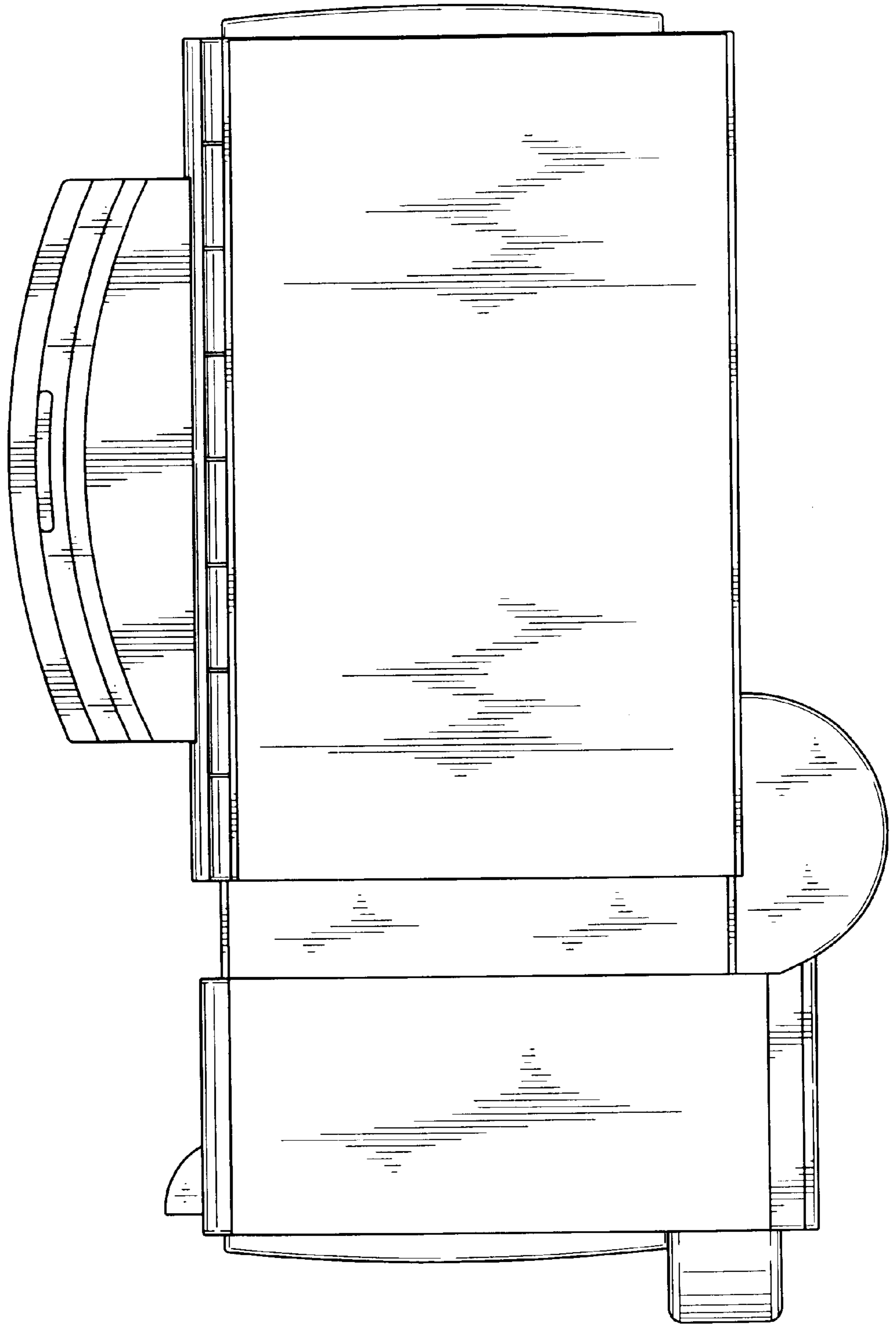


FIG. 7



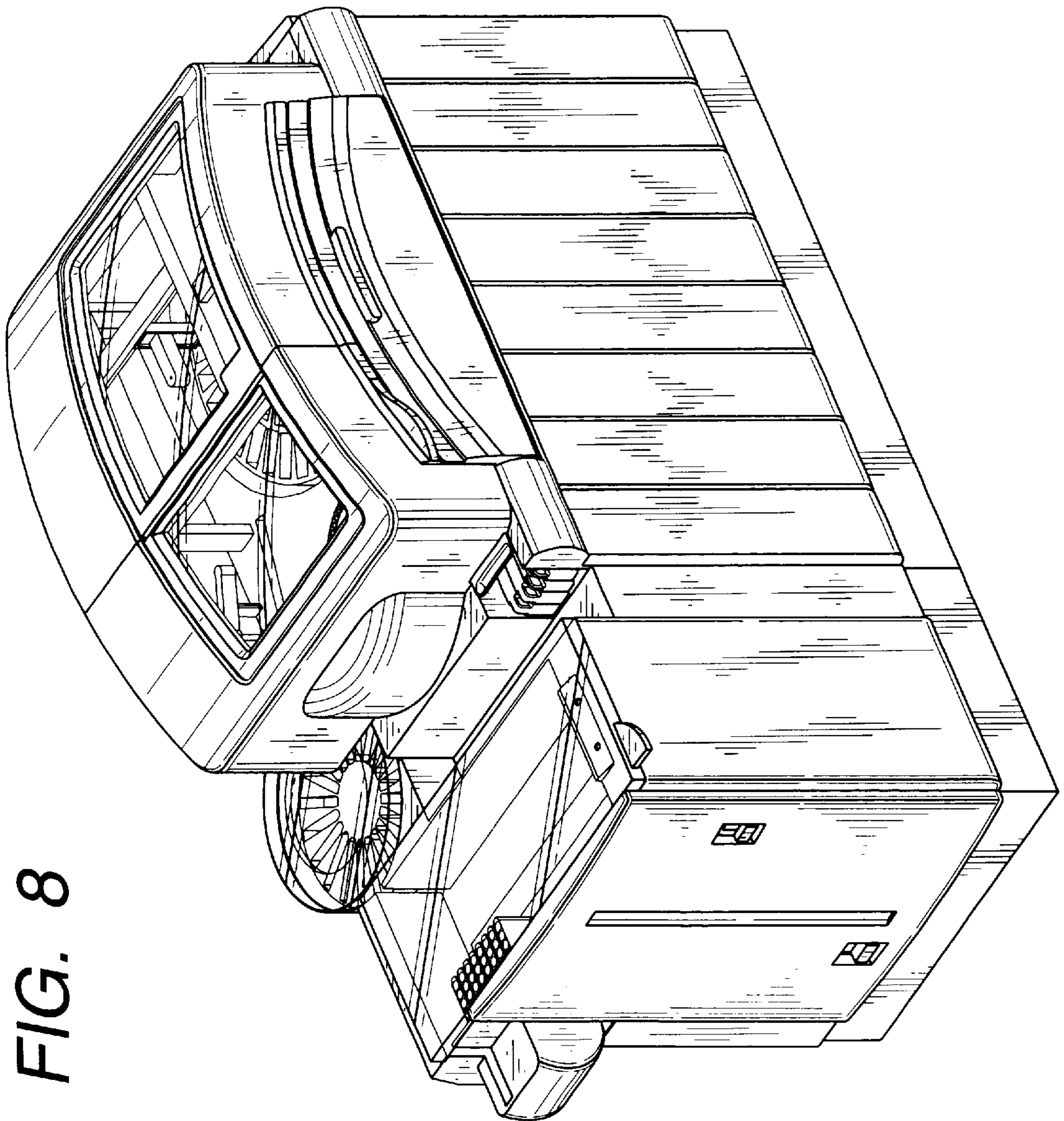


FIG. 8

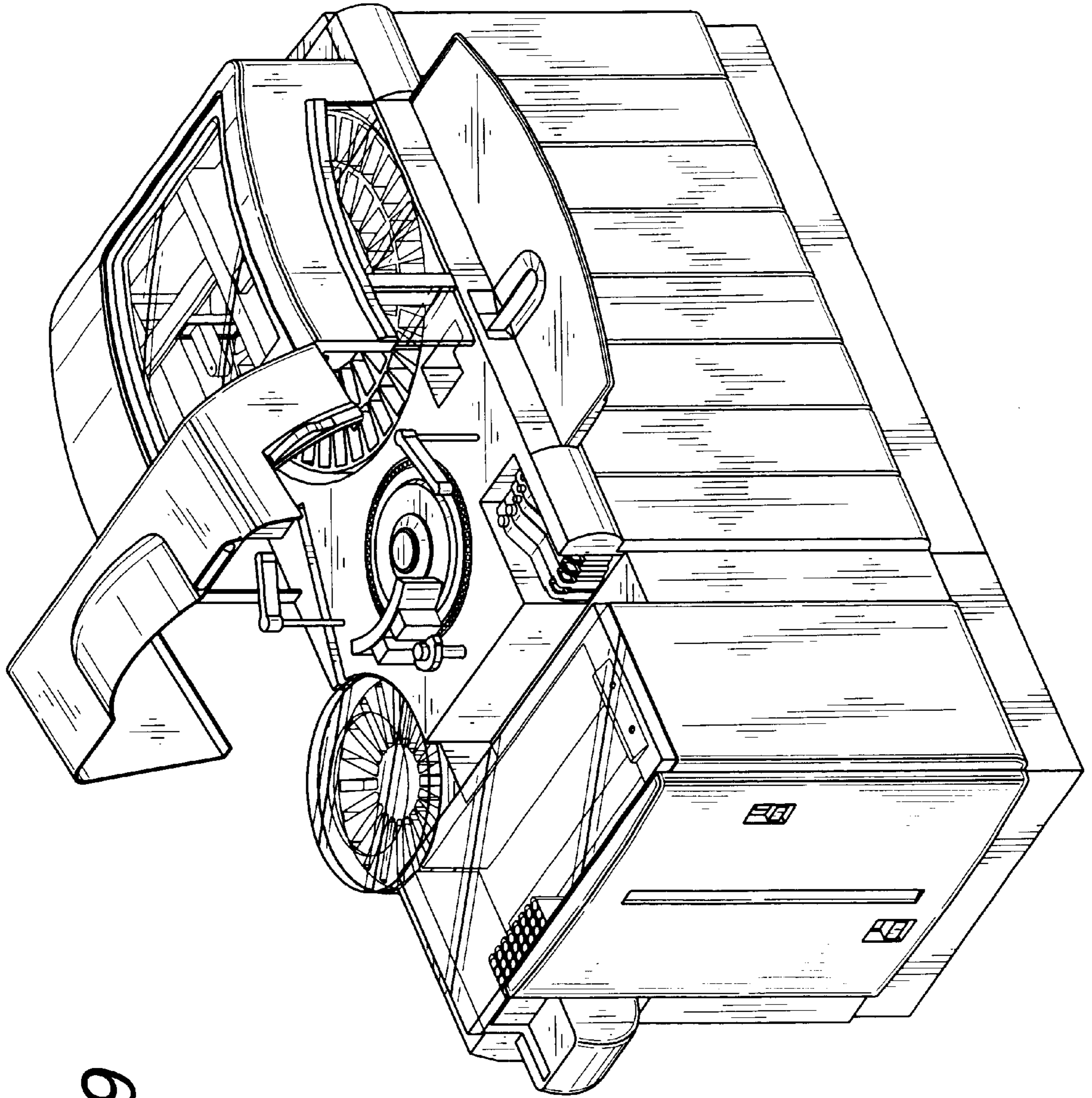


FIG. 9