



US00D474413S

(12) **United States Design Patent**
Hoofnagle et al.

(10) **Patent No.:** **US D474,413 S**

(45) **Date of Patent:** **** May 13, 2003**

(54) **NETWORK TEST INSTRUMENT**
(75) Inventors: **Wayne S. Hoofnagle**, Redmond, WA (US); **John K. Ikeda**, Seattle, WA (US)
(73) Assignee: **Fluke Networks, Inc.**, Everett, WA (US)
(**) Term: **14 Years**

D410,204 S 5/1999 Hendriks
D430,048 S 8/2000 Hoofnagle et al.

Primary Examiner—Antoine Duval Davis
(74) *Attorney, Agent, or Firm*—Richard A. Koske

(57) **CLAIM**

The ornamental design for a network test instrument, as shown.

(21) Appl. No.: **29/164,245**
(22) Filed: **Jul. 19, 2002**
(51) **LOC (7) Cl.** **10-04**
(52) **U.S. Cl.** **D10/78**
(58) **Field of Search** D10/78; 324/56, 324/67, 158 F, 539-542; 379/1-10, 21, 60, 66, 96, 105-17

DESCRIPTION

FIG. 1 is a perspective view of a network test instrument embodying my new design;
FIG. 2 is a front plan view thereof;
FIG. 3 is a top elevation view thereof;
FIG. 4 is a bottom elevation view thereof;
FIG. 5 is a left side elevation view thereof;
FIG. 6 is a right side elevation view thereof; and,
FIG. 7 is a back plan view thereof.
The broken lines shown in FIG. 1 are for illustrative purposes only and form no part of the claimed design.

(56) **References Cited**
U.S. PATENT DOCUMENTS
D353,342 S 12/1994 King et al.
D389,759 S 1/1998 Taylor et al.

1 Claim, 3 Drawing Sheets

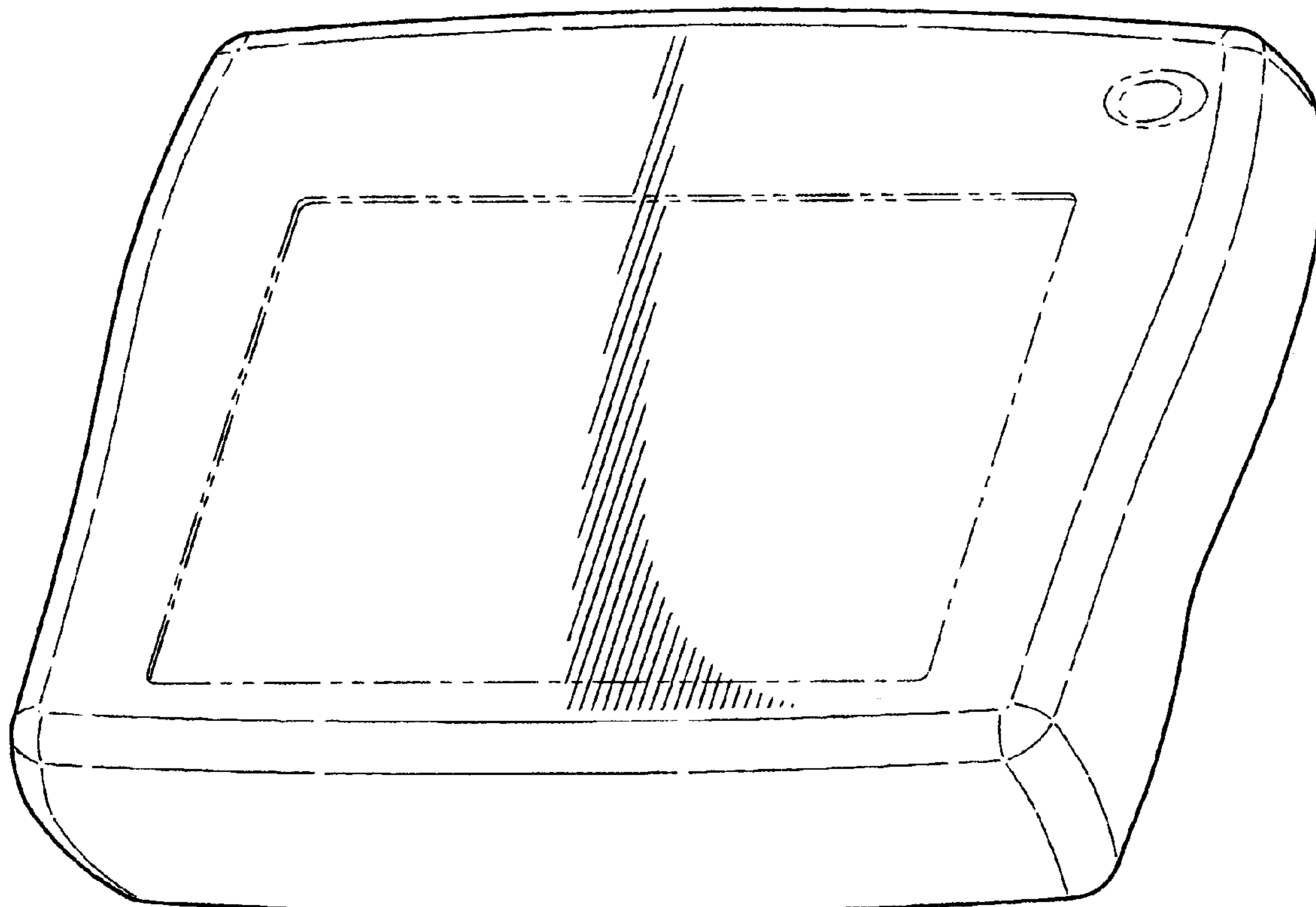


FIG. 1

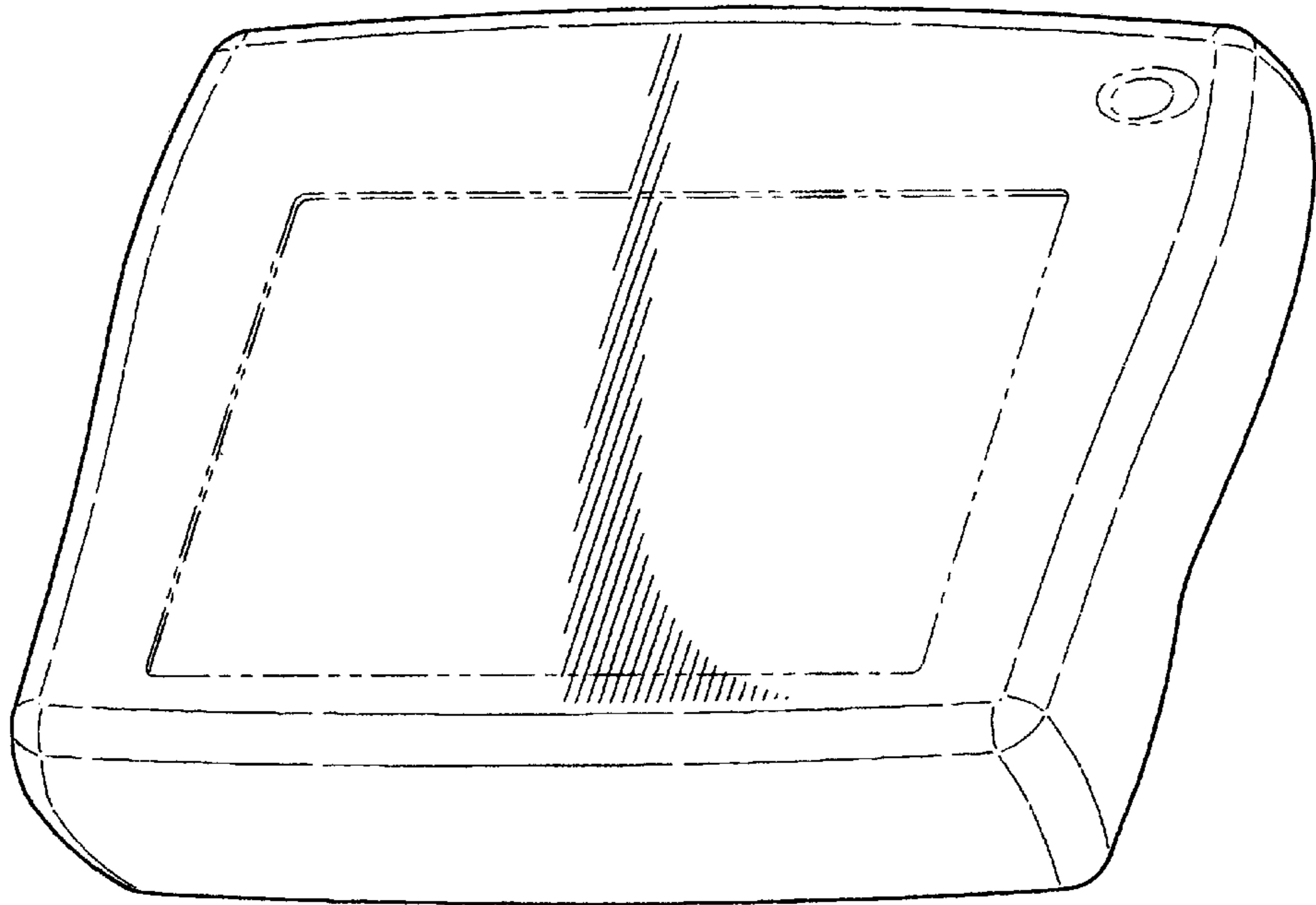


FIG. 2

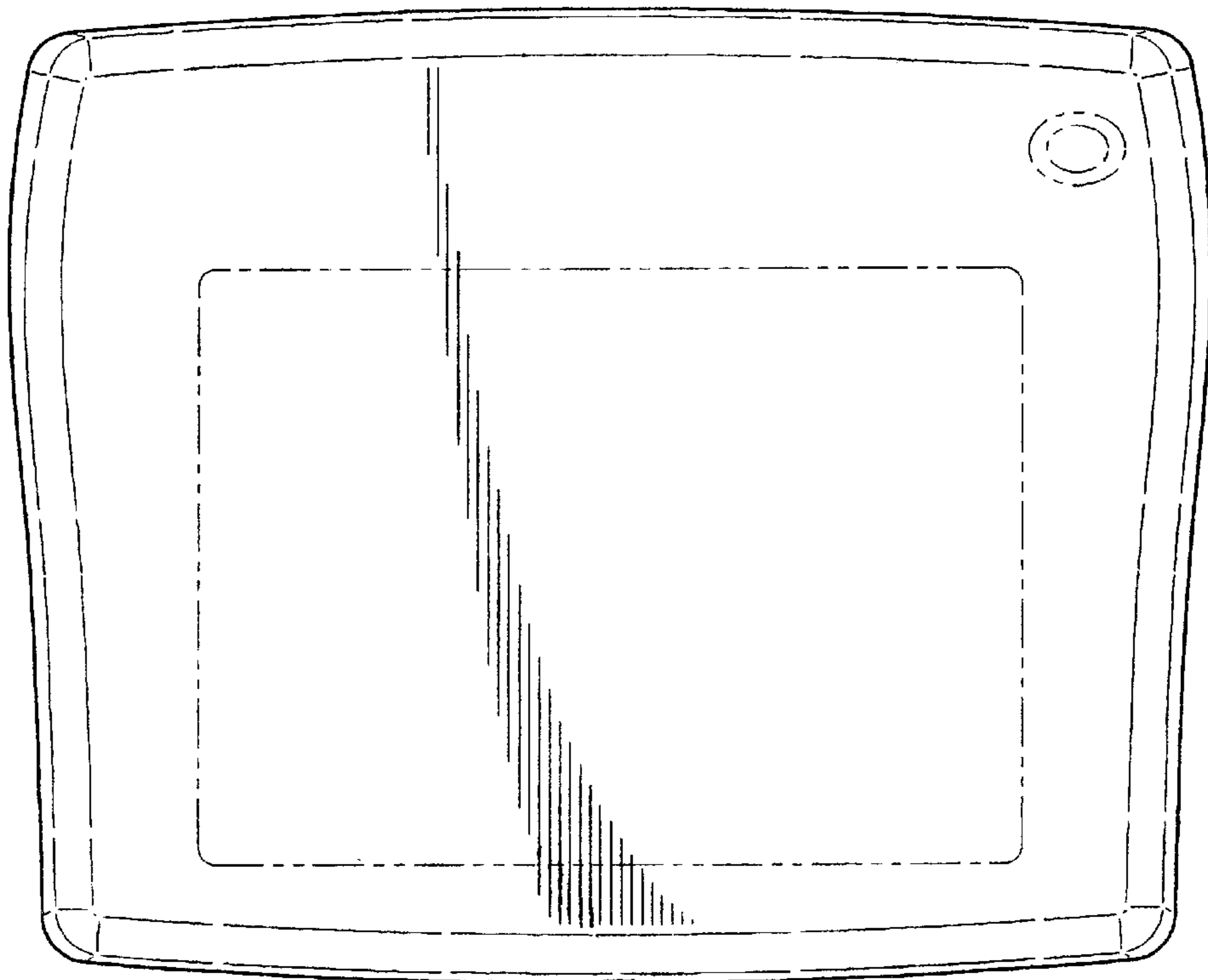


FIG. 3

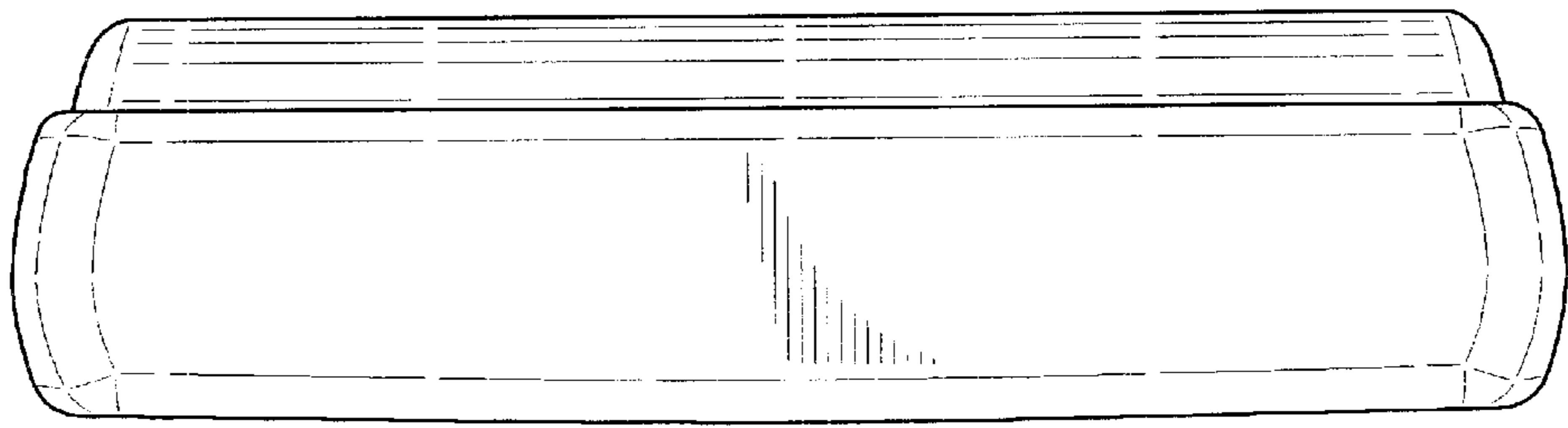


FIG. 4

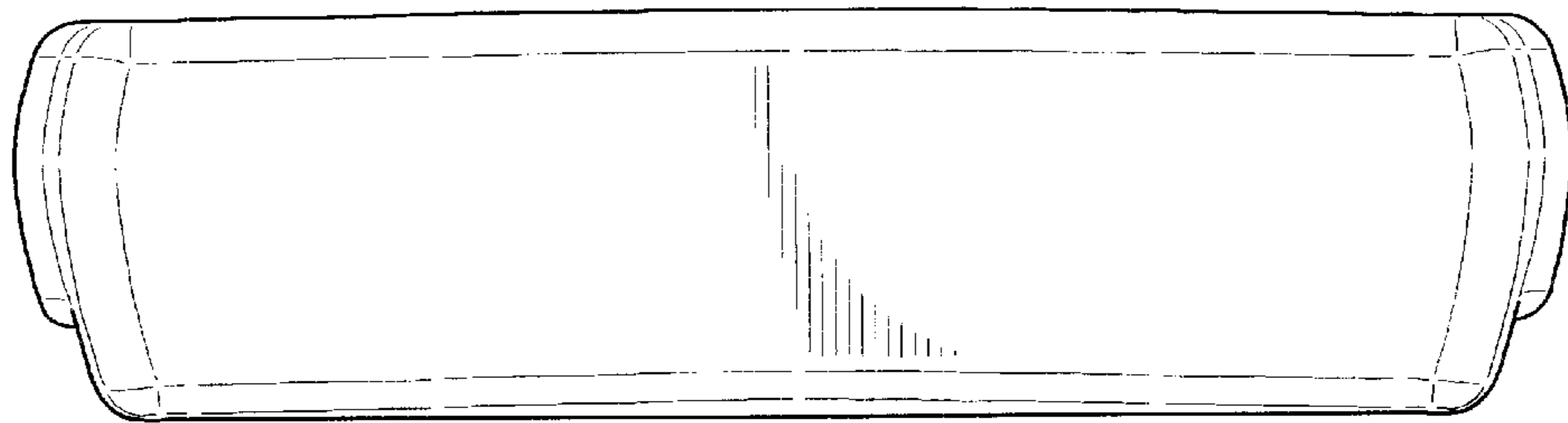


FIG. 5

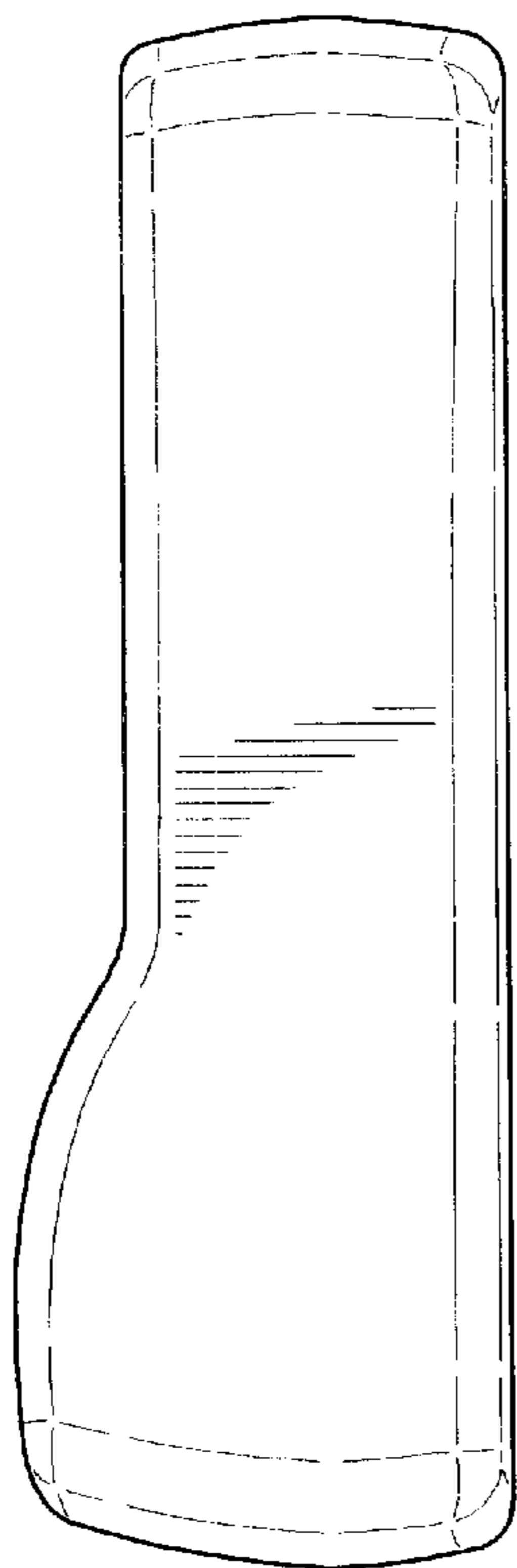


FIG. 6

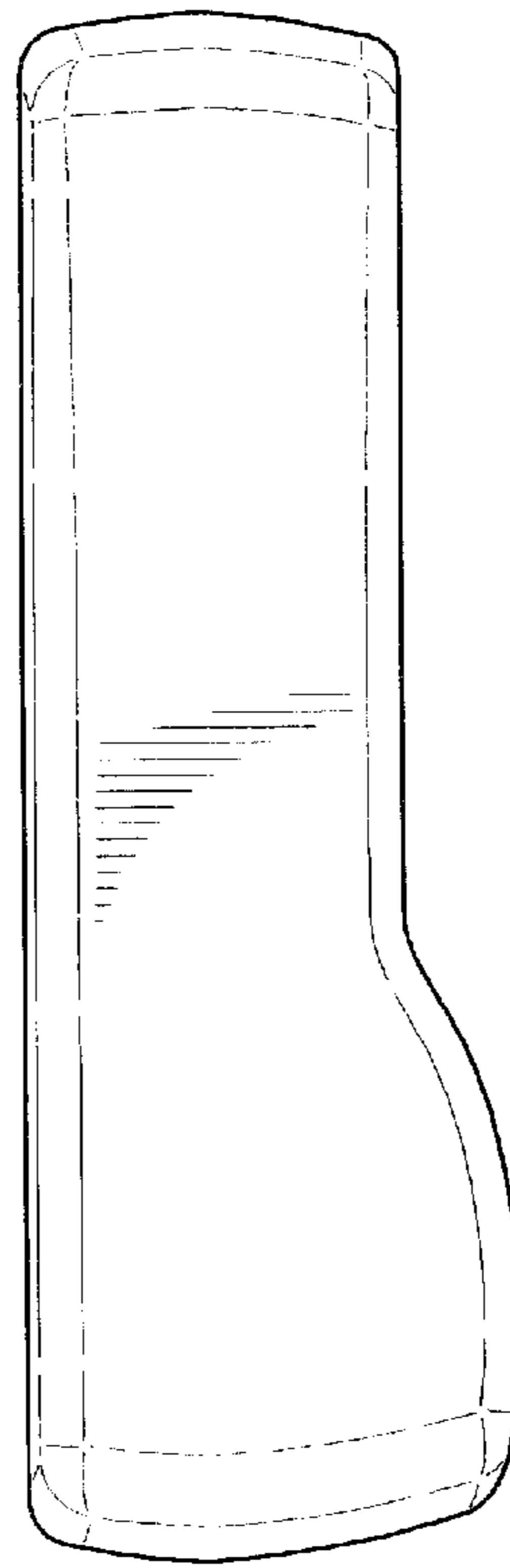


FIG. 7

