



US00D474412S

(12) **United States Design Patent**
Ichinose et al.

(10) **Patent No.:** **US D474,412 S**

(45) **Date of Patent:** **** May 13, 2003**

(54) **TAPE MEASURE**

(75) Inventors: **Katsumi Ichinose**, Meguro-Ku (JP);
Saori Takeuchi, Abiko (JP)

(73) Assignee: **Tajima Tool Corporation** (JP)

(**) Term: **14 Years**

(21) Appl. No.: **29/160,969**

(22) Filed: **May 21, 2002**

(30) **Foreign Application Priority Data**

Nov. 29, 2001 (JP) 2001-034990
Nov. 29, 2001 (JP) 2001-034991

(51) **LOC (7) Cl.** **10-04**

(52) **U.S. Cl.** **D10/72**

(58) **Field of Search** D10/72; 33/755-770

(56) **References Cited**

U.S. PATENT DOCUMENTS

D342,459 S * 12/1993 Shen D10/72
D424,955 S * 5/2000 Hizawa et al. D10/72

FOREIGN PATENT DOCUMENTS

JP 1093998 11/1999

* cited by examiner

Primary Examiner—Antoine Duval Davis
(74) *Attorney, Agent, or Firm*—Parkhurst & Wendel, L.L.P.

(57) **CLAIM**

The ornamental design for a tape measure, as shown and described.

DESCRIPTION

FIG. 1 is a front view of a second embodiment of a tape measure embodying the inventive design;
FIG. 2 is a left side view of the design of FIG. 1;
FIG. 3 is a rear view of the design of FIG. 1;
FIG. 4 is a right side view of the design of FIG. 1;
FIG. 5 is a top view of the design of FIG. 1;
FIG. 6 is a bottom view of the design of FIG. 1;
FIG. 7 is a front view of a first embodiment of a tape measure embodying the inventive design;
FIG. 8 is a left side view of the design of FIG. 7;
FIG. 9 is a rear view of the design of FIG. 7;
FIG. 10 is a right side view of the design of FIG. 7;
FIG. 11 is a top view of the design of FIG. 7; and,
FIG. 12 is a bottom view of the design of FIG. 7.

1 Claim, 6 Drawing Sheets

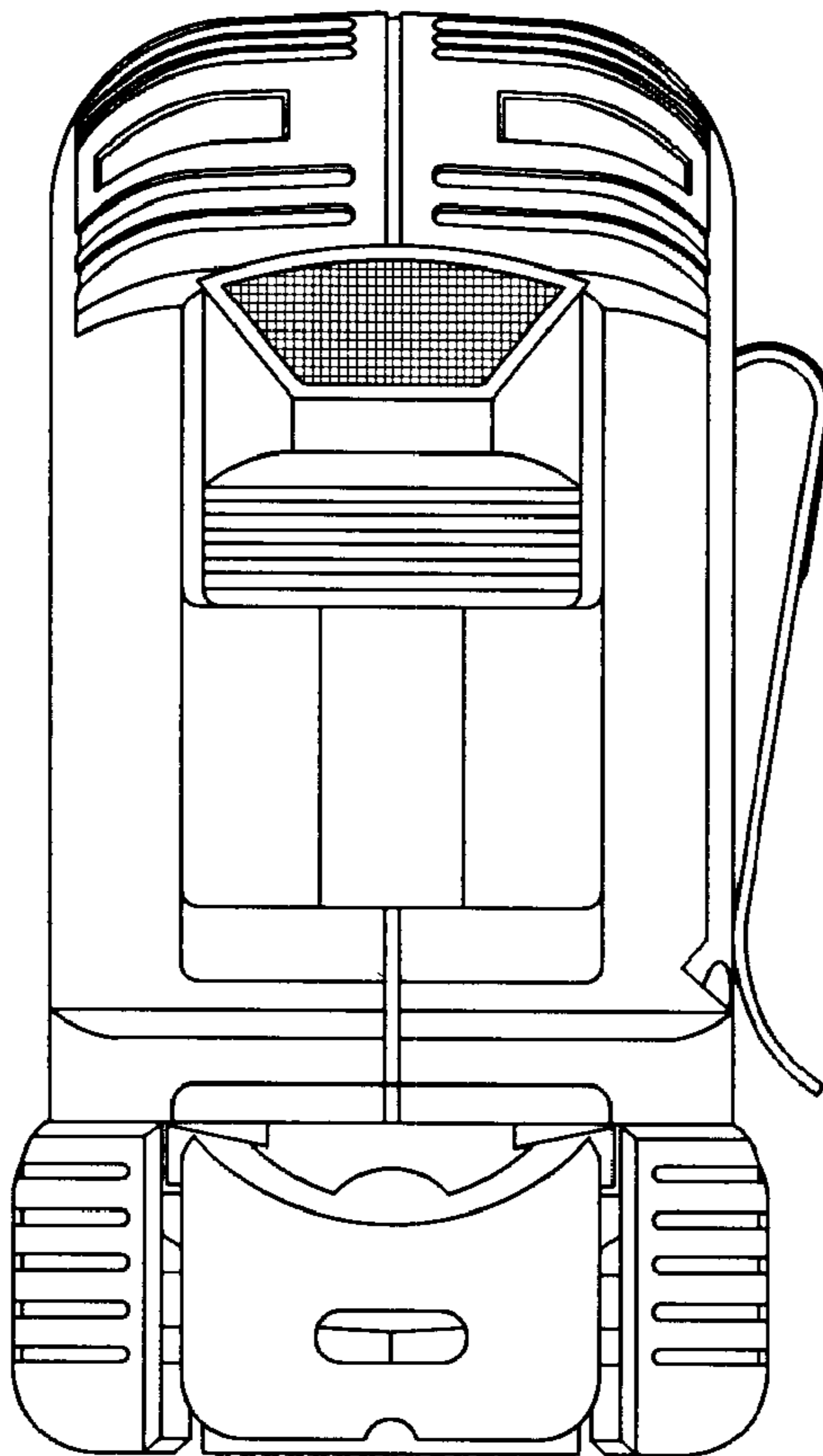


FIG. 1

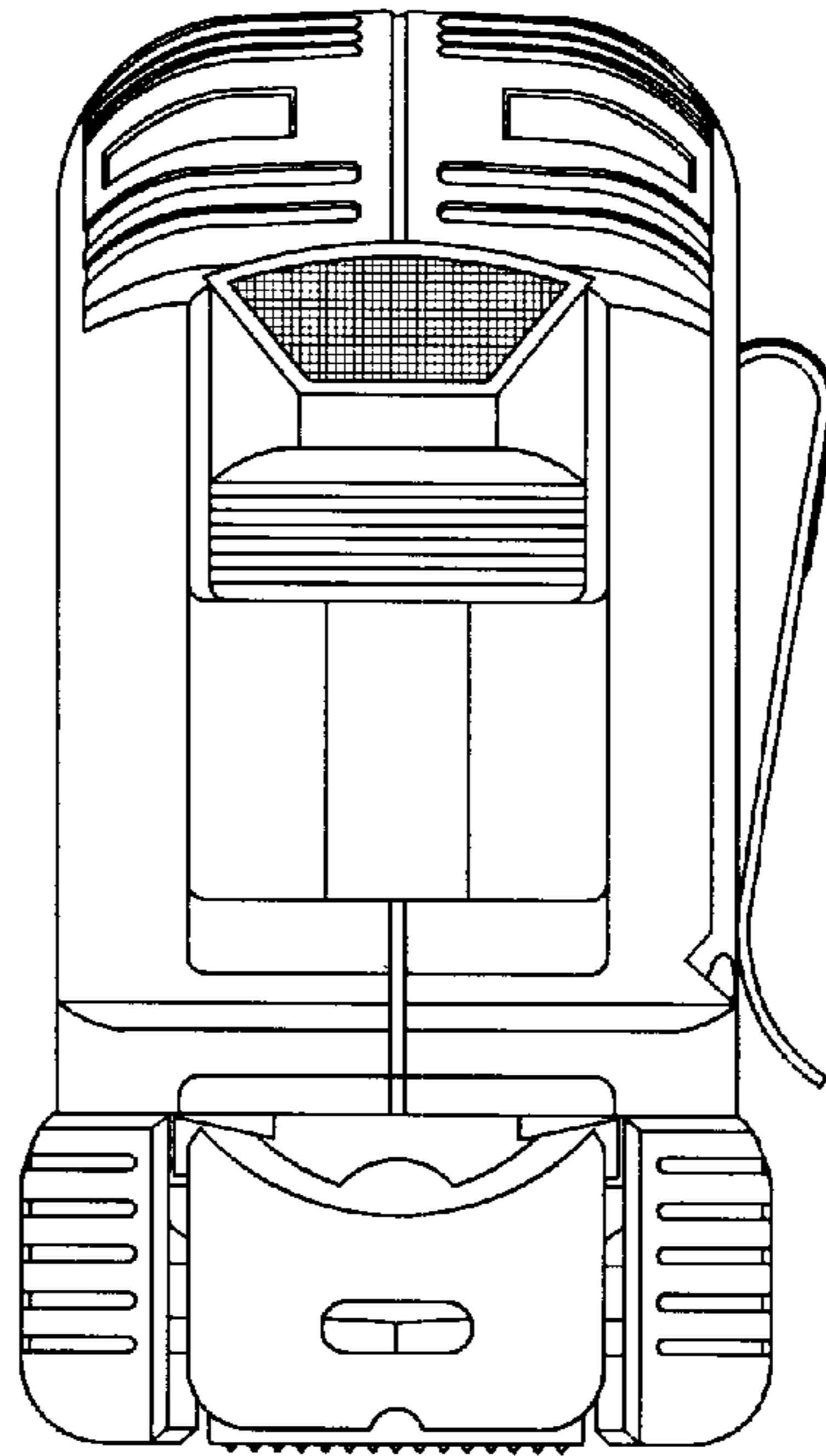


FIG. 2

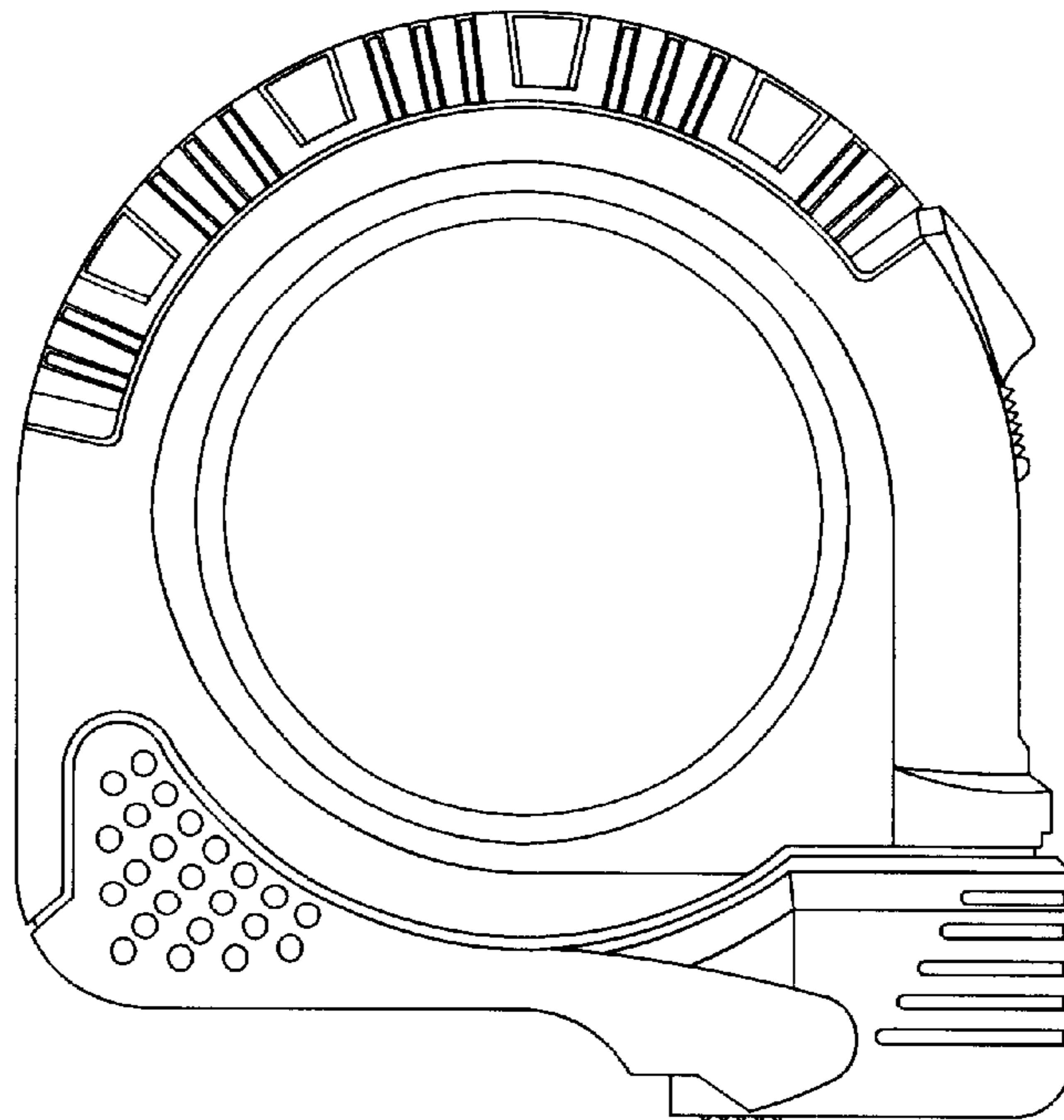


FIG. 3

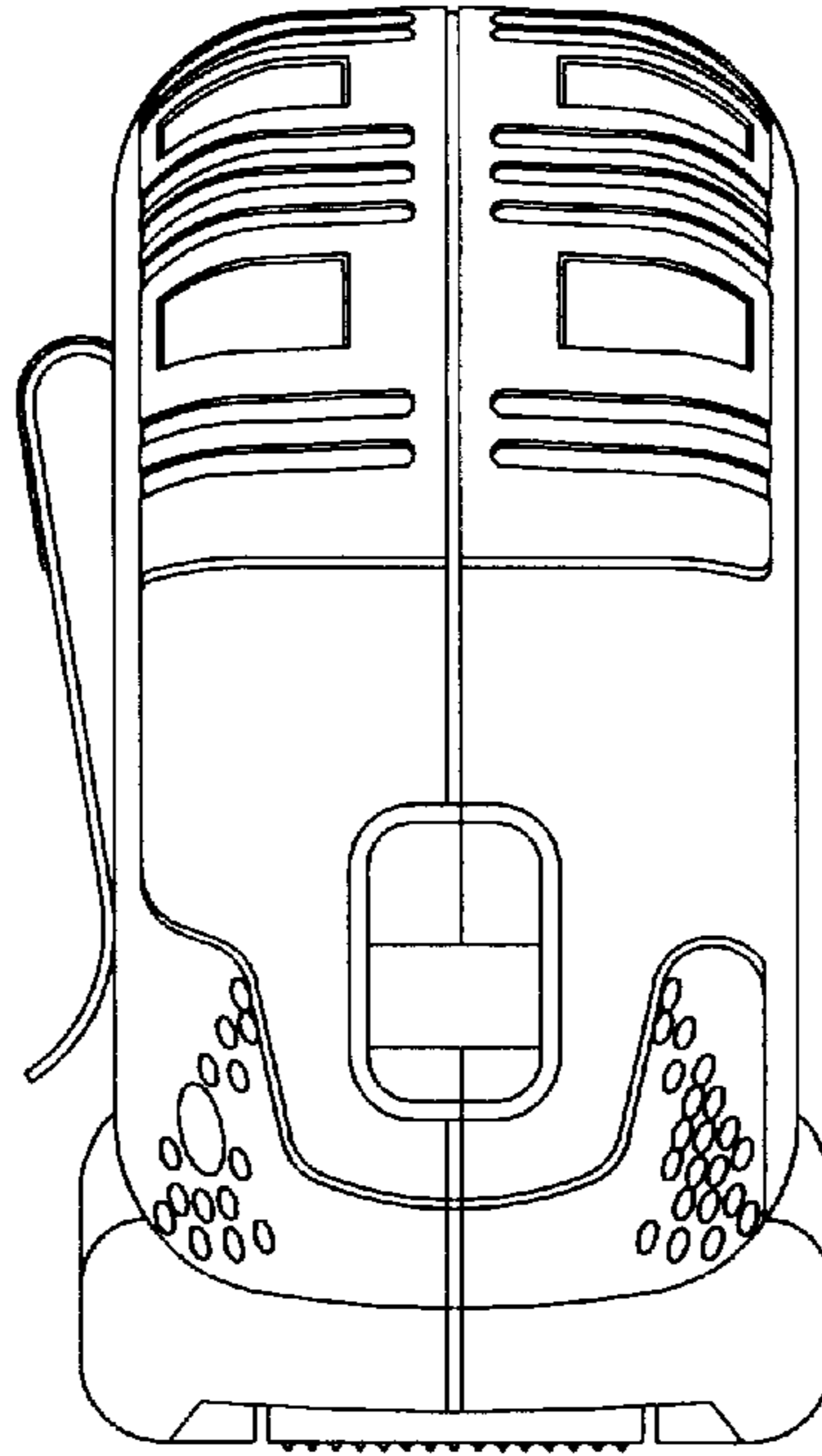


FIG. 4

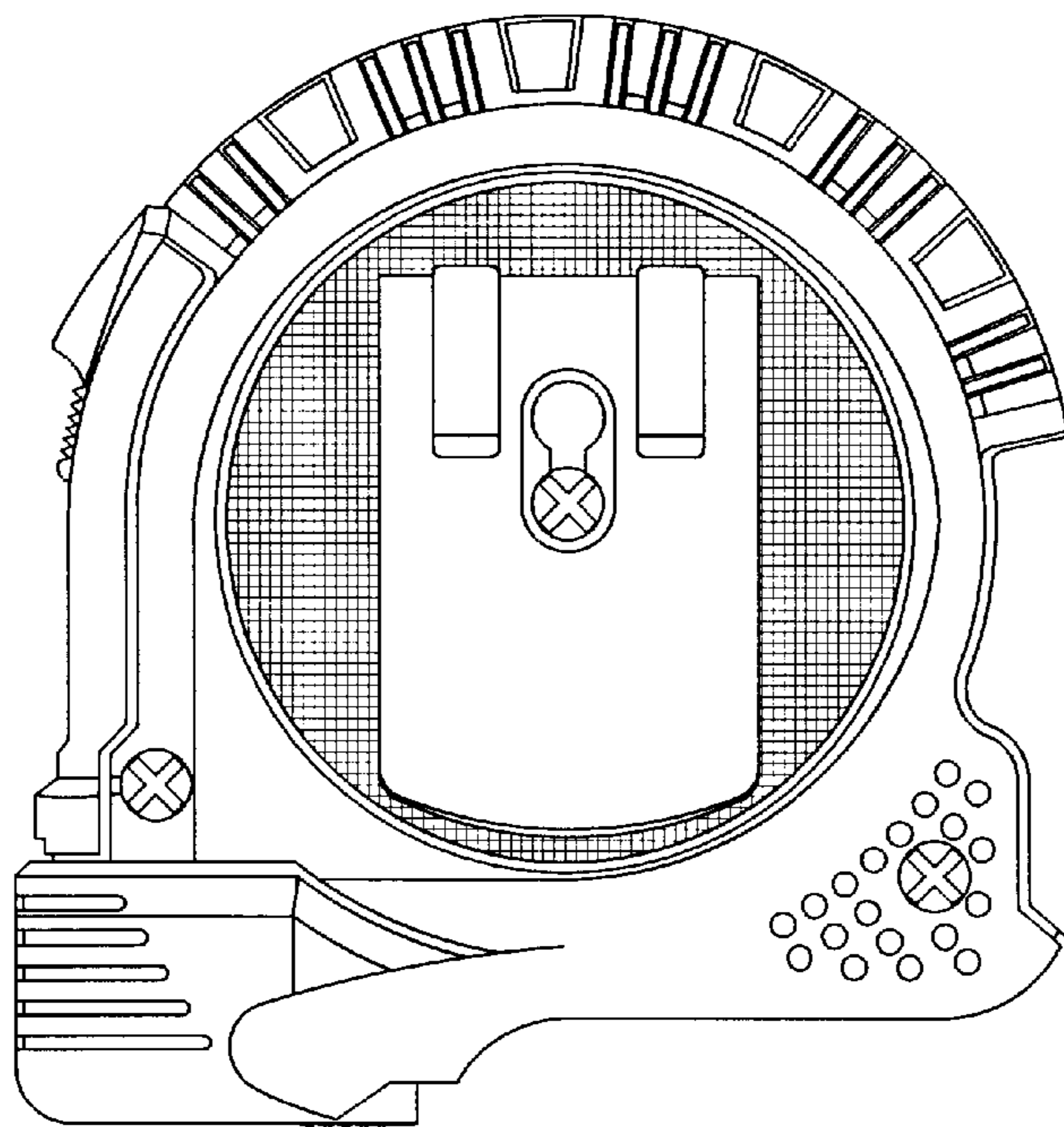


FIG. 5

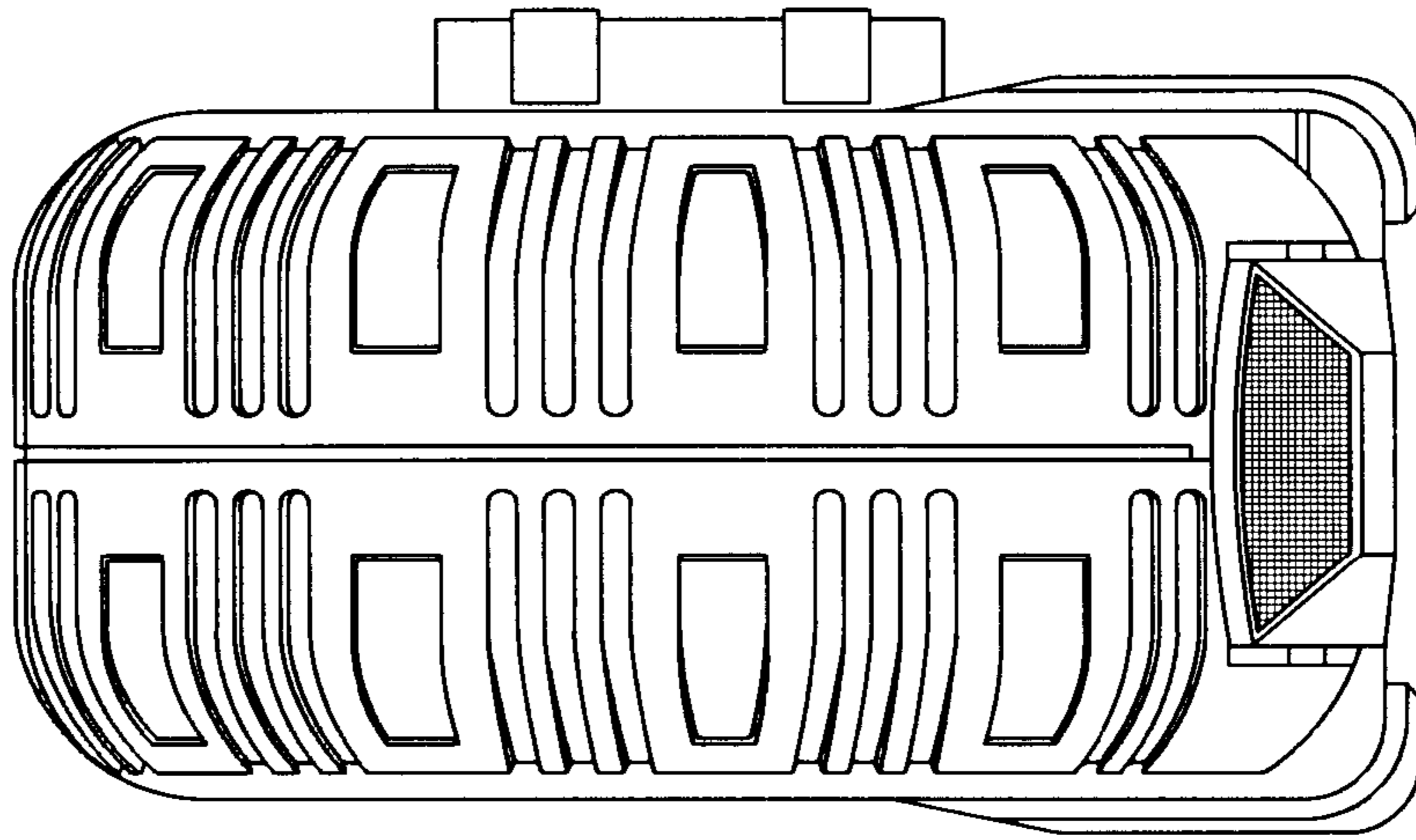


FIG. 6

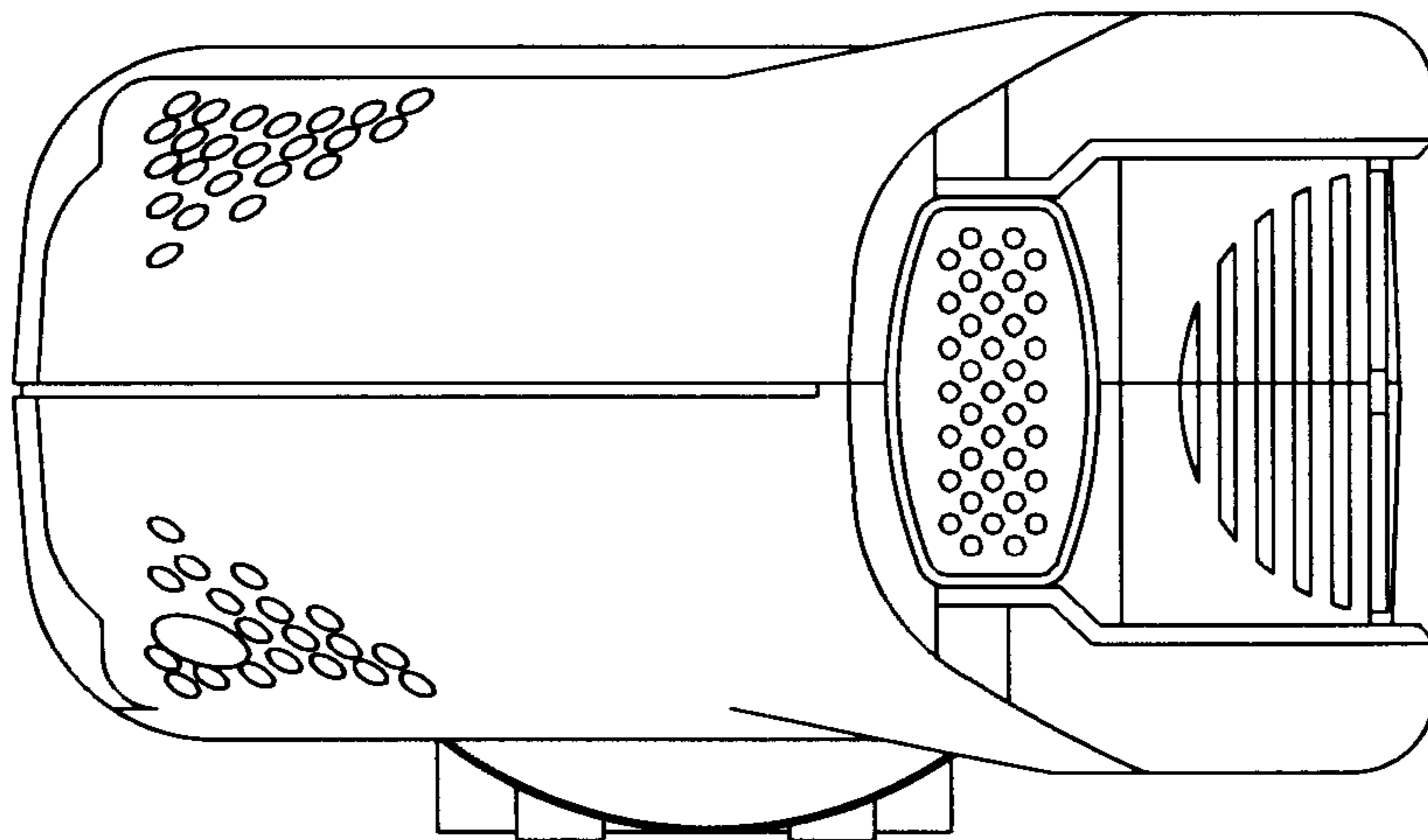


FIG. 7

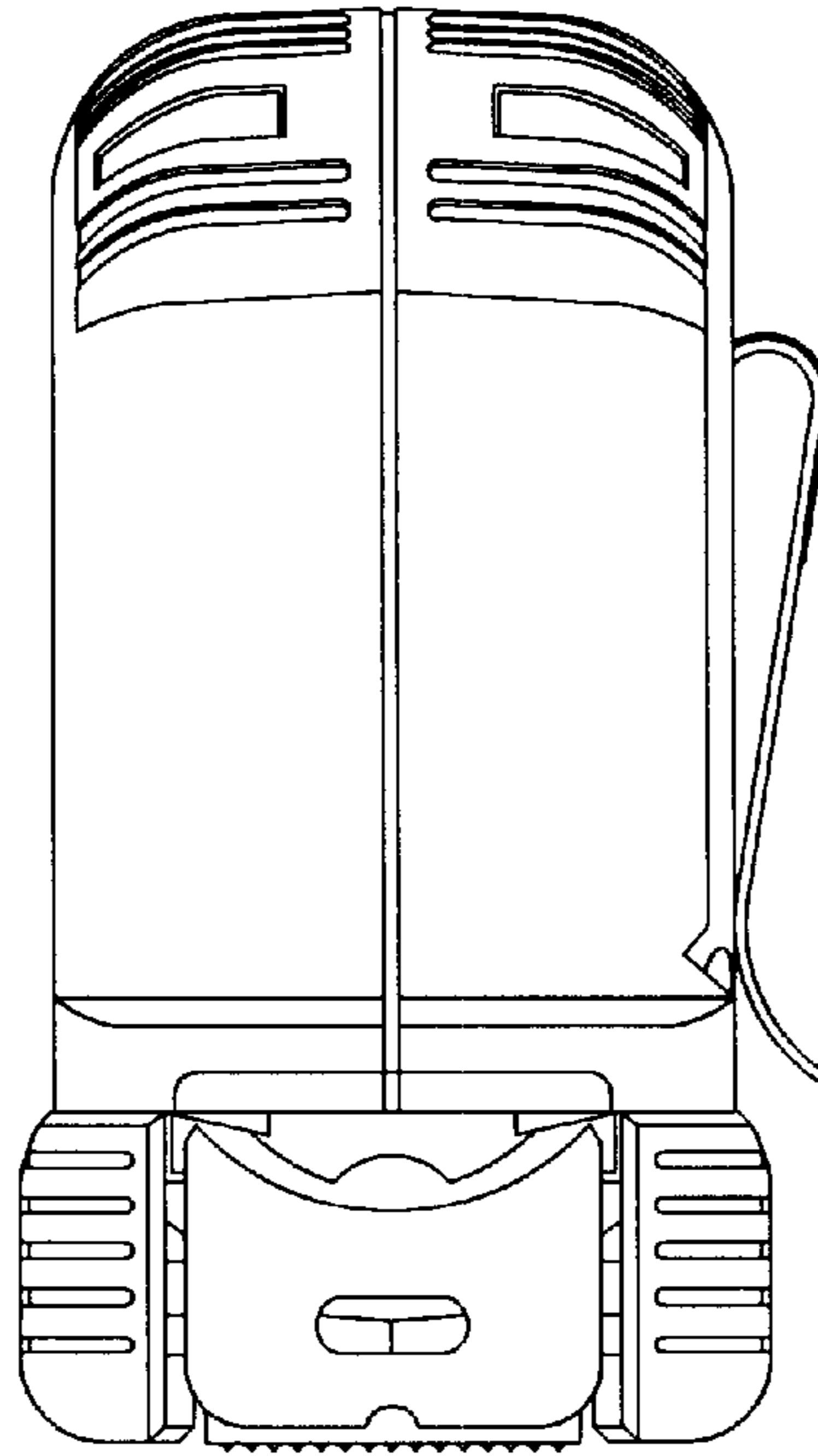


FIG. 8

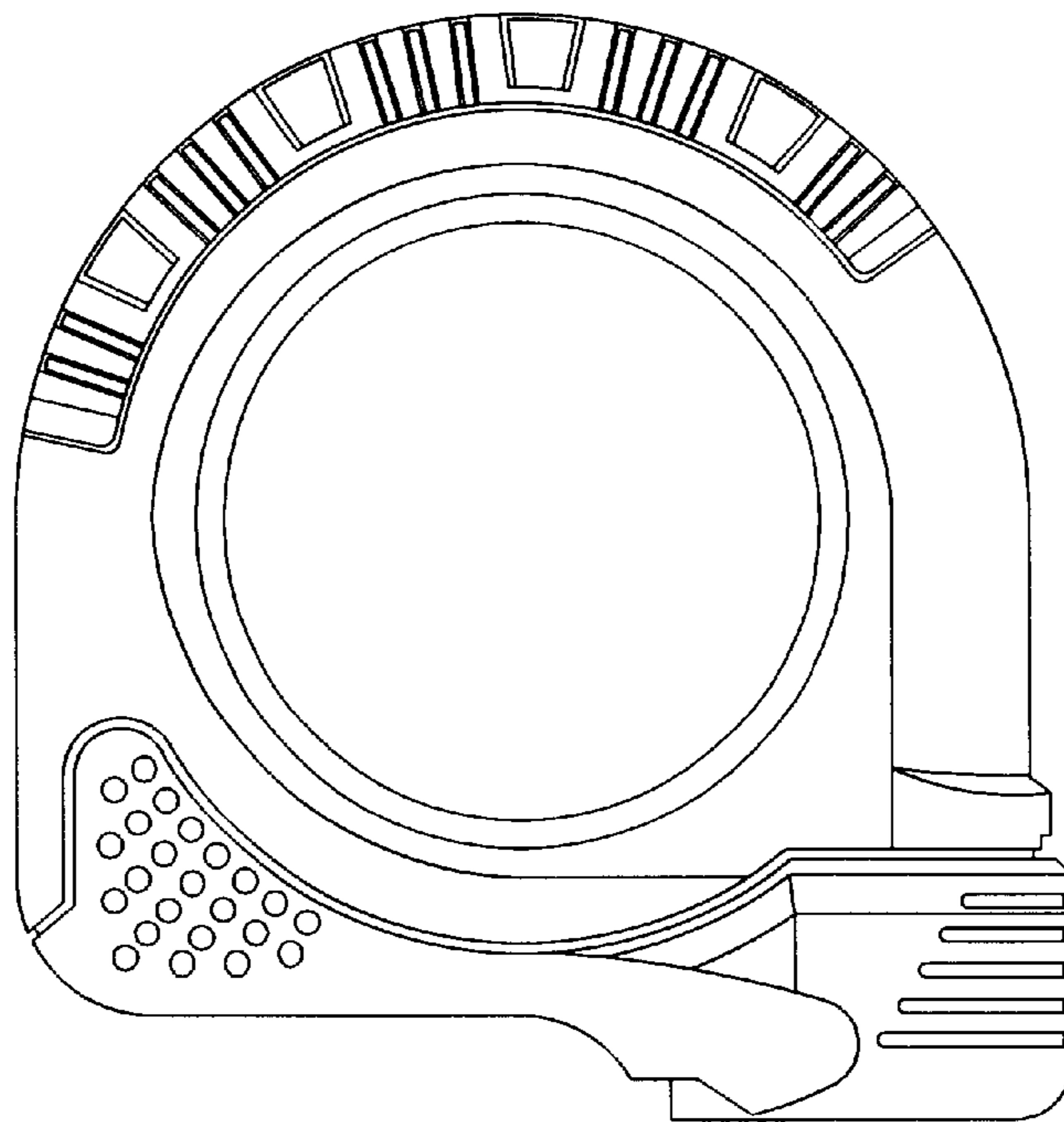


FIG. 9

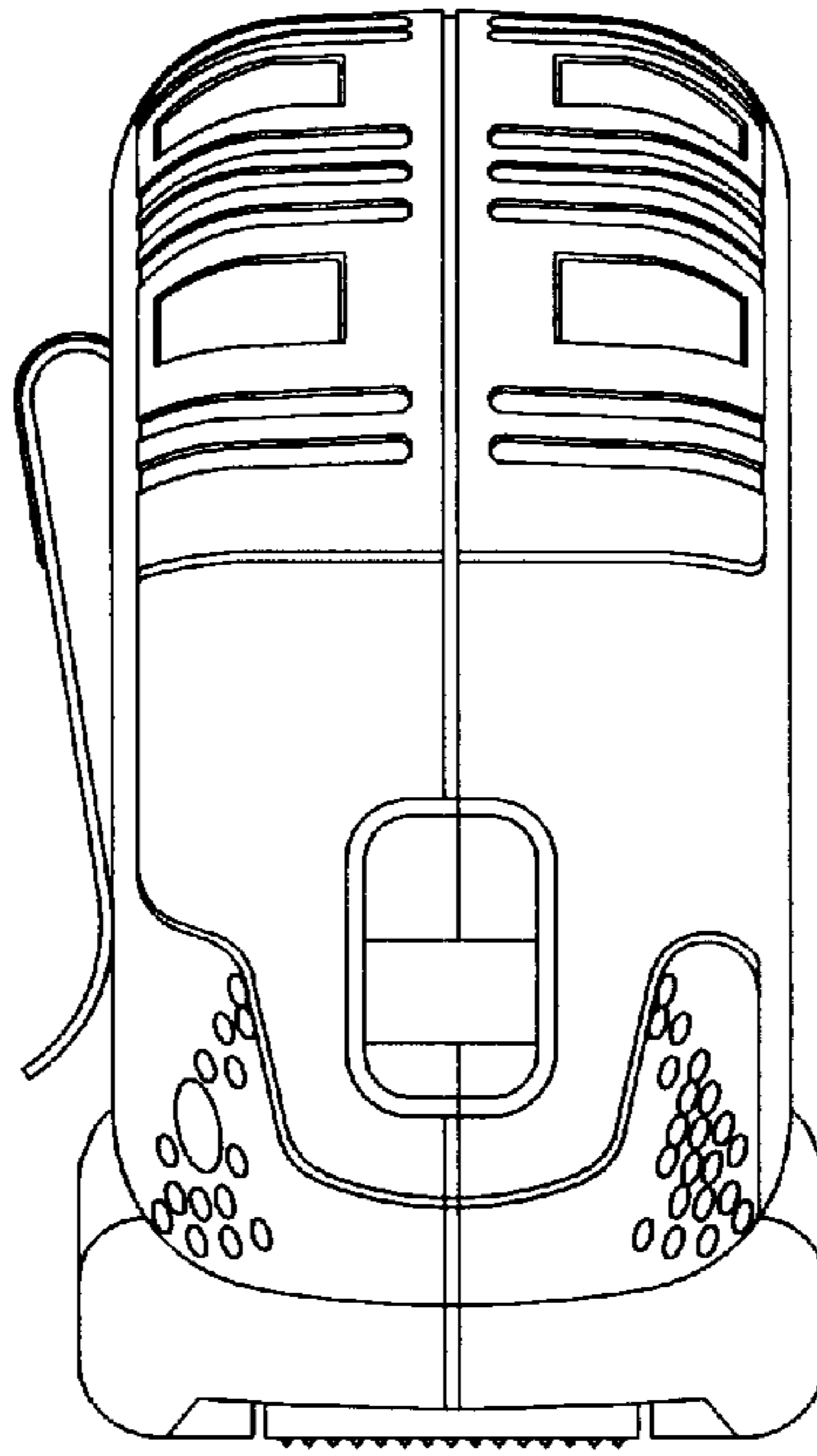


FIG. 10

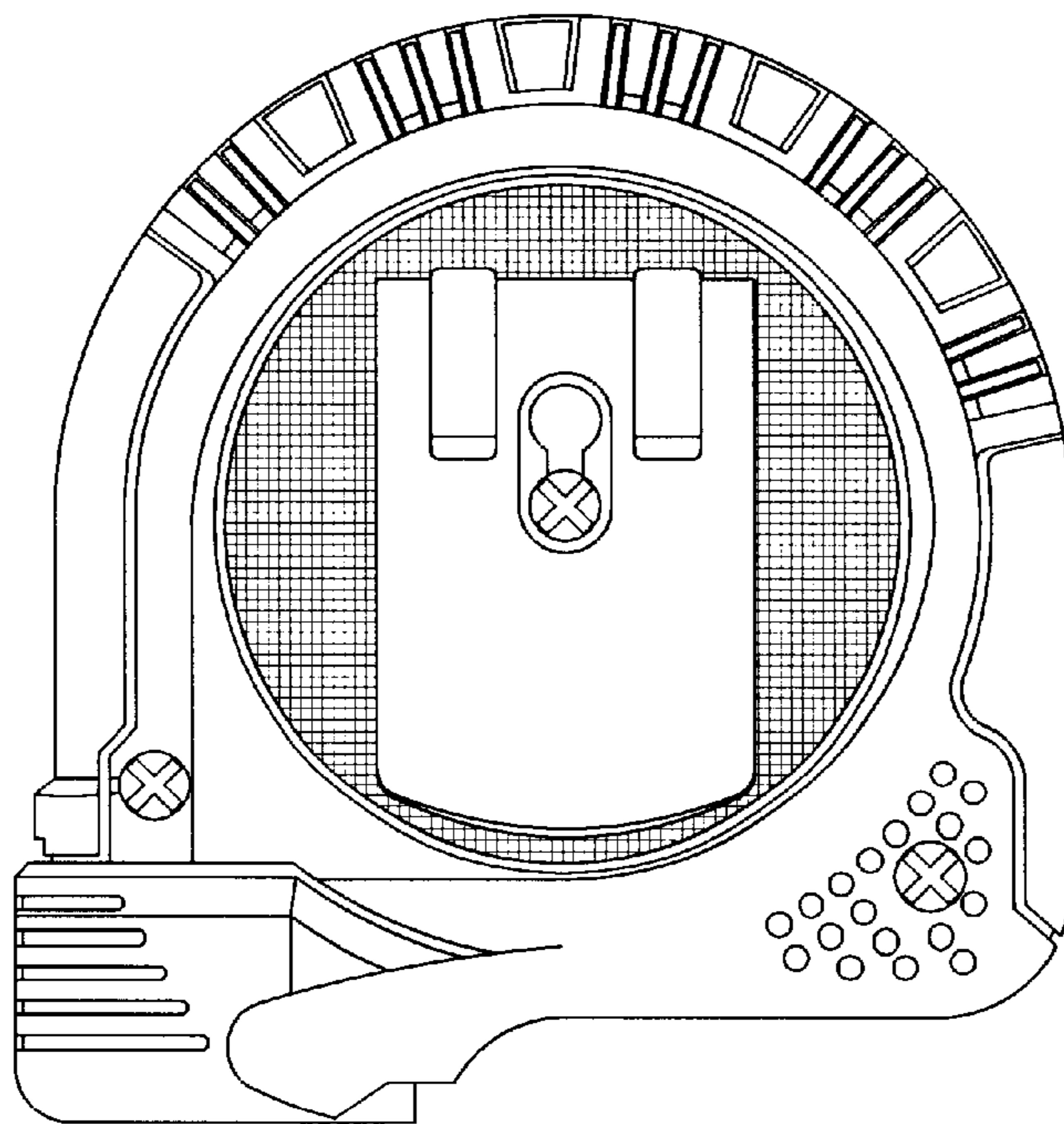


FIG. 11

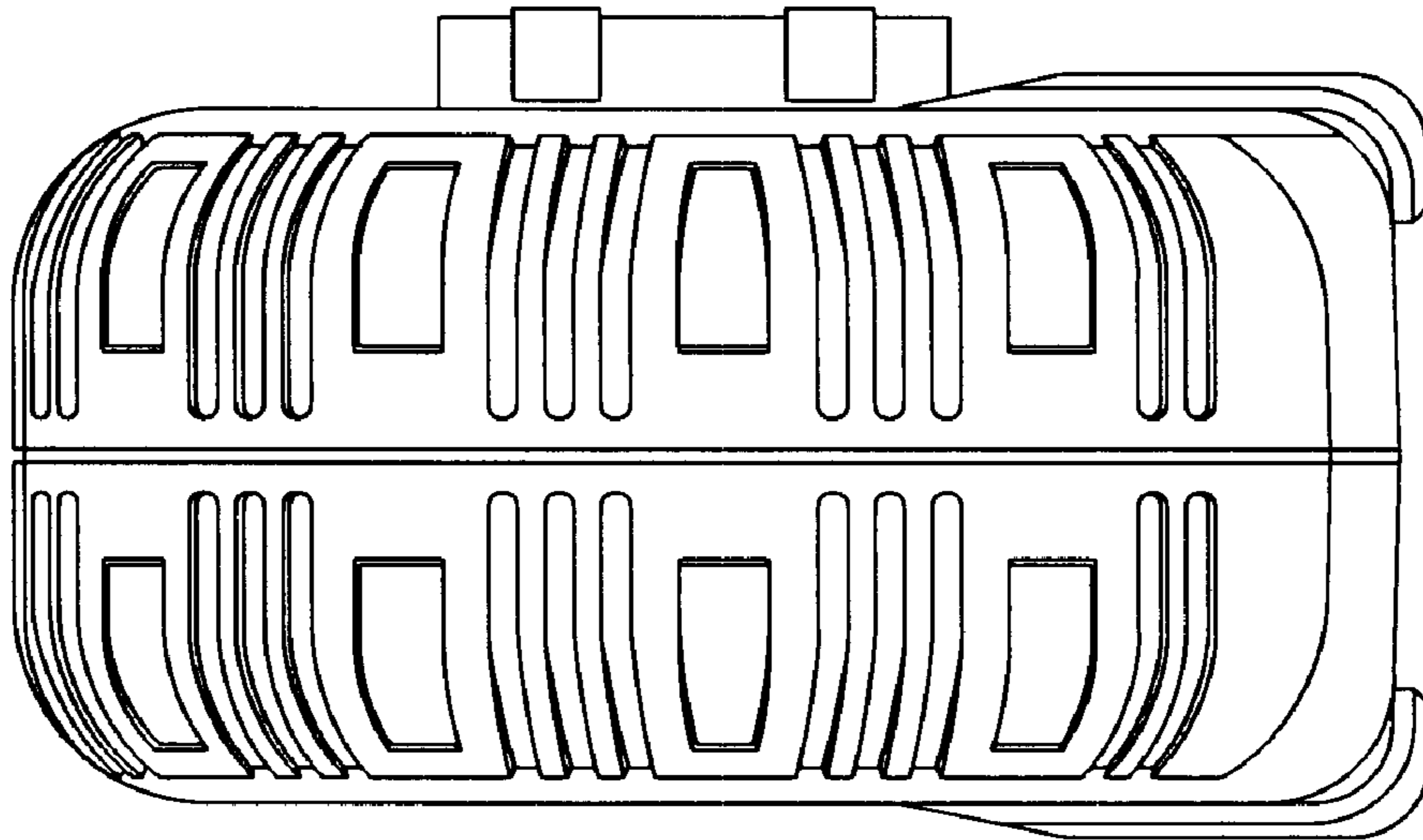


FIG. 12

