



US00D474410S

(12) **United States Design Patent**
Green et al.

(10) **Patent No.:** **US D474,410 S**

(45) **Date of Patent:** **** May 13, 2003**

(54) **SENSOR PACKAGE**

(75) Inventors: **Robert B. Green**, Hopkinton, MA
(US); **Steven C. Lepke**, Danvers, MA
(US)

(73) Assignee: **Bayer Corporation**, E. Walpole, MA
(US)

(*) Notice: This patent is subject to a terminal disclaimer.

(**) Term: **14 Years**

(21) Appl. No.: **29/044,293**

(22) Filed: **Sep. 21, 1995**

Related U.S. Application Data

(63) Continuation-in-part of application No. 29/025,129, filed on Jun. 27, 1994, now Pat. No. Des. 369,561.

(51) **LOC (7) Cl.** **10-04**

(52) **U.S. Cl.** **D10/46; D10/81**

(58) **Field of Search** **D10/46, 81; D24/186, 187, 216, 224, 232; 204/153.12, 153.17, 403, 409, 415, 418, 435; 435/817**

(56) **References Cited**

U.S. PATENT DOCUMENTS

5,096,669 A	3/1992	Lauks et al.	204/409 X
D329,441 S	9/1992	Yee	D15/138 X
5,284,568 A	2/1994	Pace et al.	204/409 X
5,384,029 A	1/1995	Campbell	204/415

Primary Examiner—Antoine Duval Davis

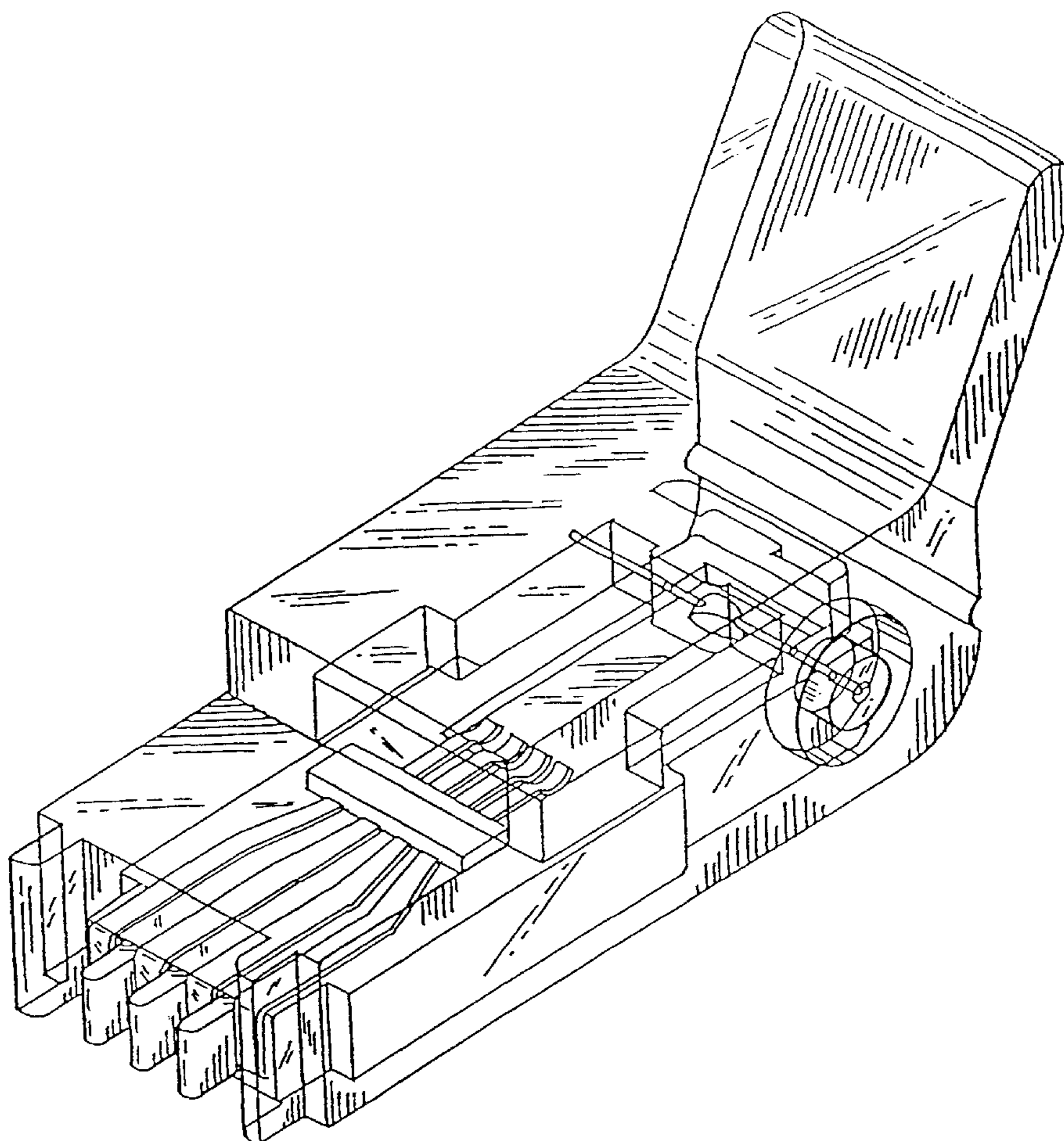
(57) **CLAIM**

The ornamental design for a sensor package, as shown.

DESCRIPTION

FIG. 1 is a perspective view of a sensor package showing our new design;
 FIG. 2 is a side view;
 FIG. 3 is a front view;
 FIG. 4 is a top plan view;
 FIG. 5 is a bottom plan view;
 FIG. 6 is a back plan view; and,
 FIG. 7 is a side view, opposite to that shown in FIG. 2.

1 Claim, 3 Drawing Sheets



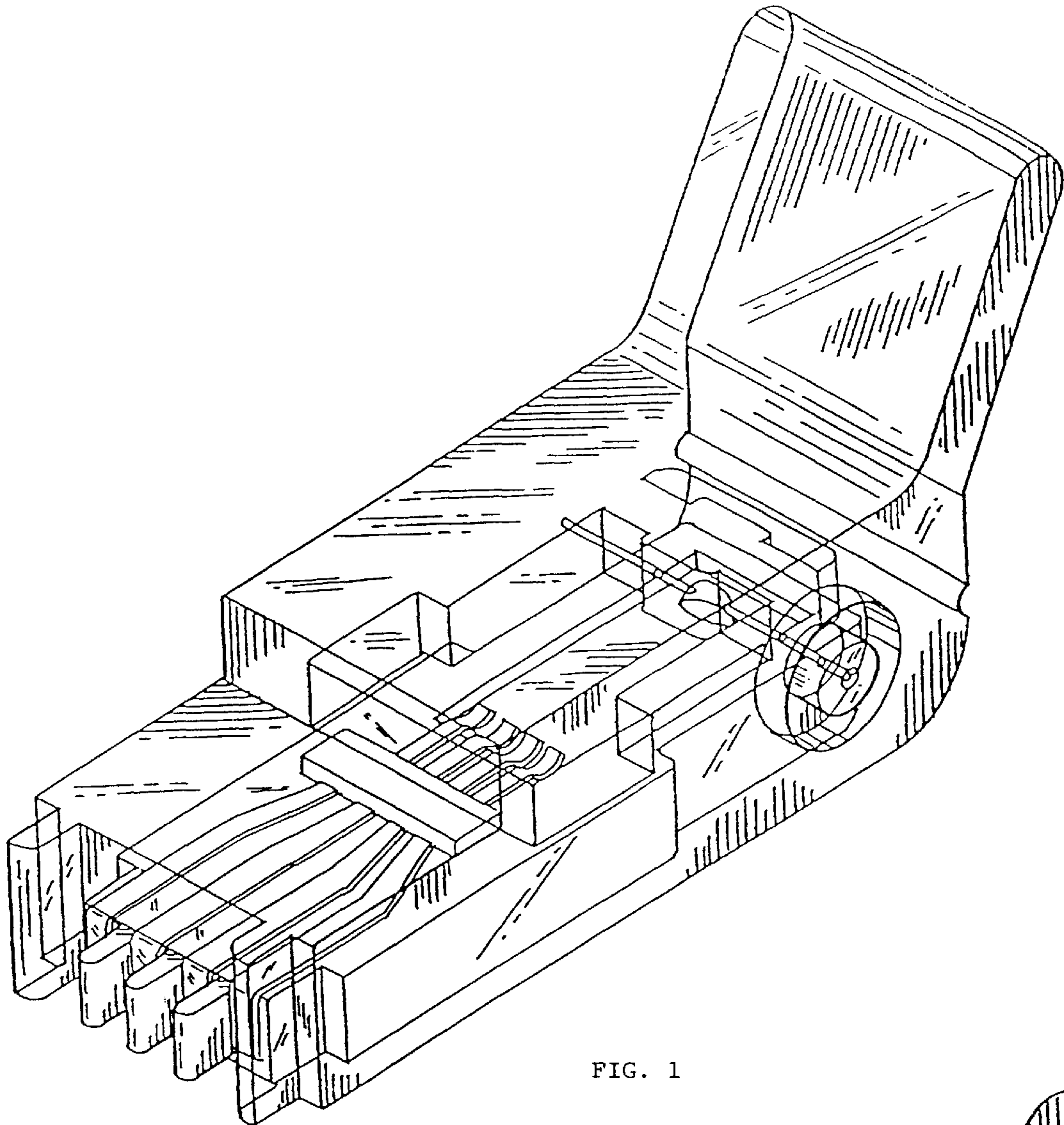


FIG. 1

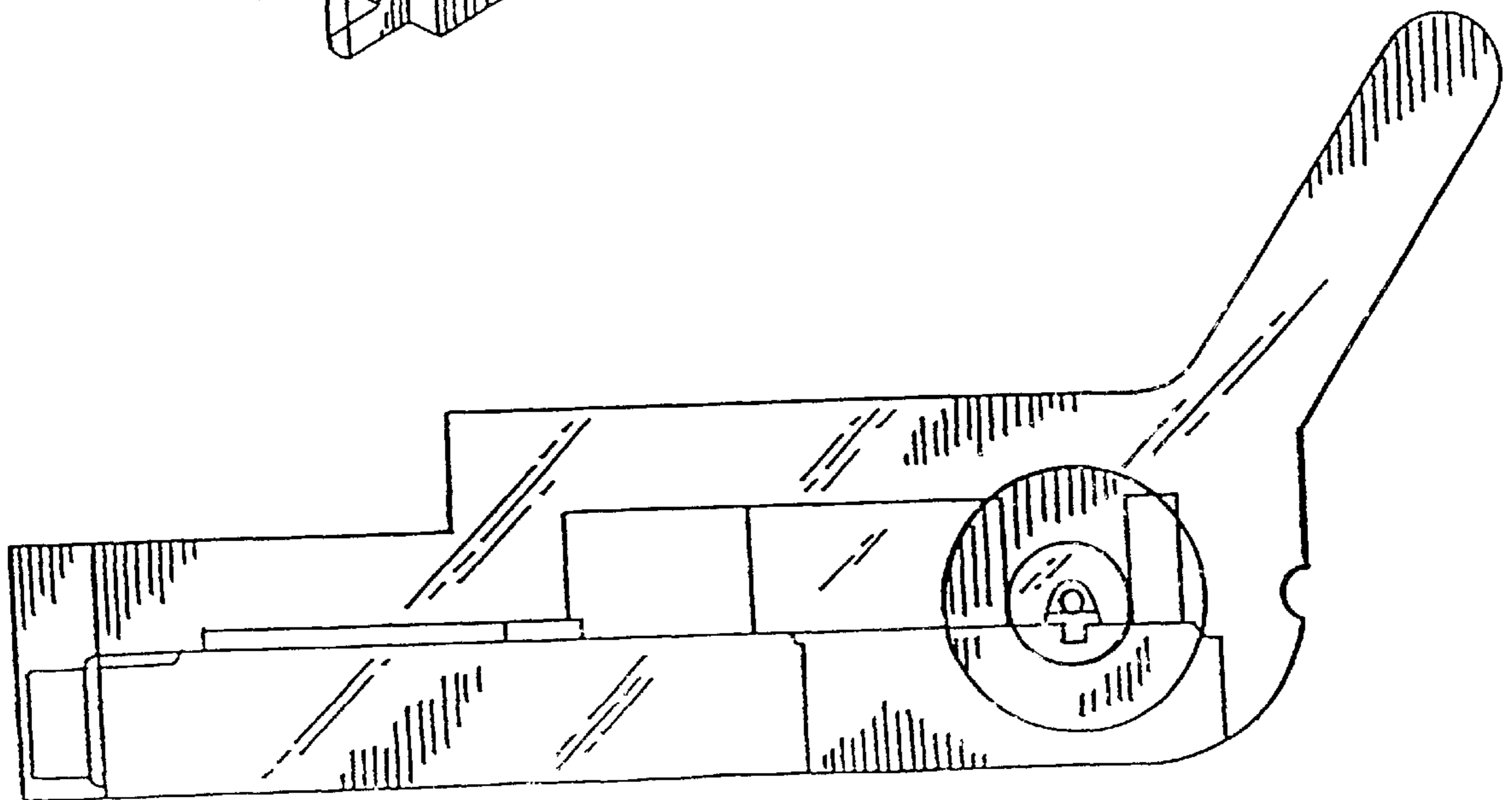


FIG. 2

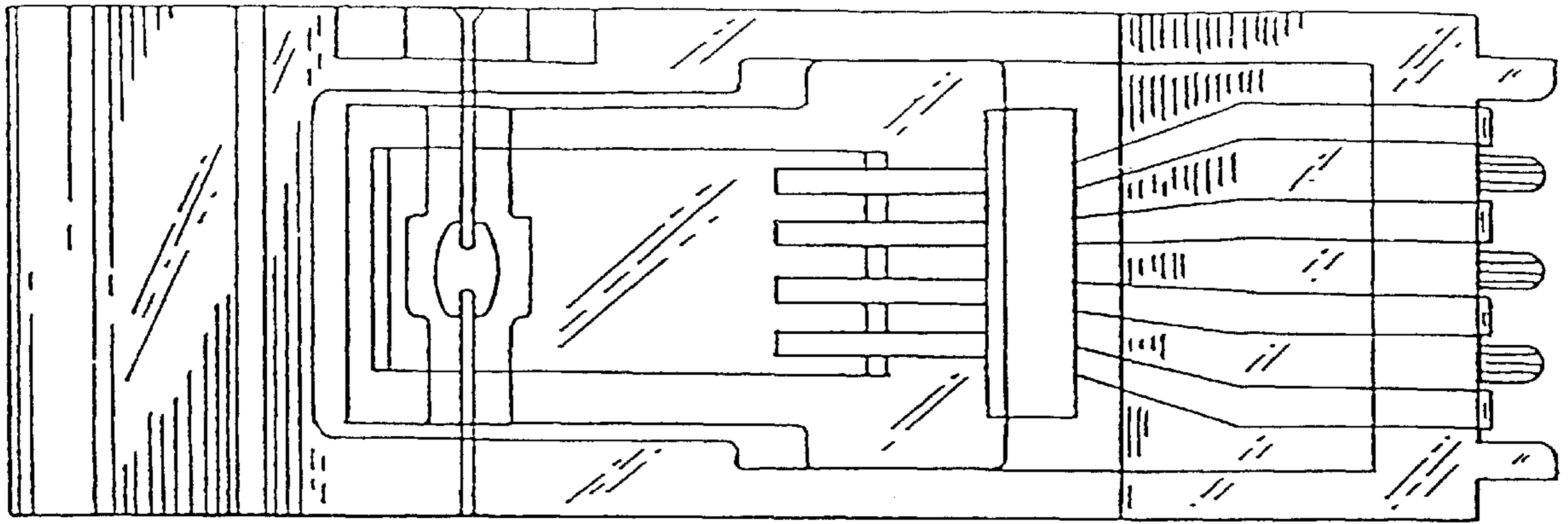


FIG. 3

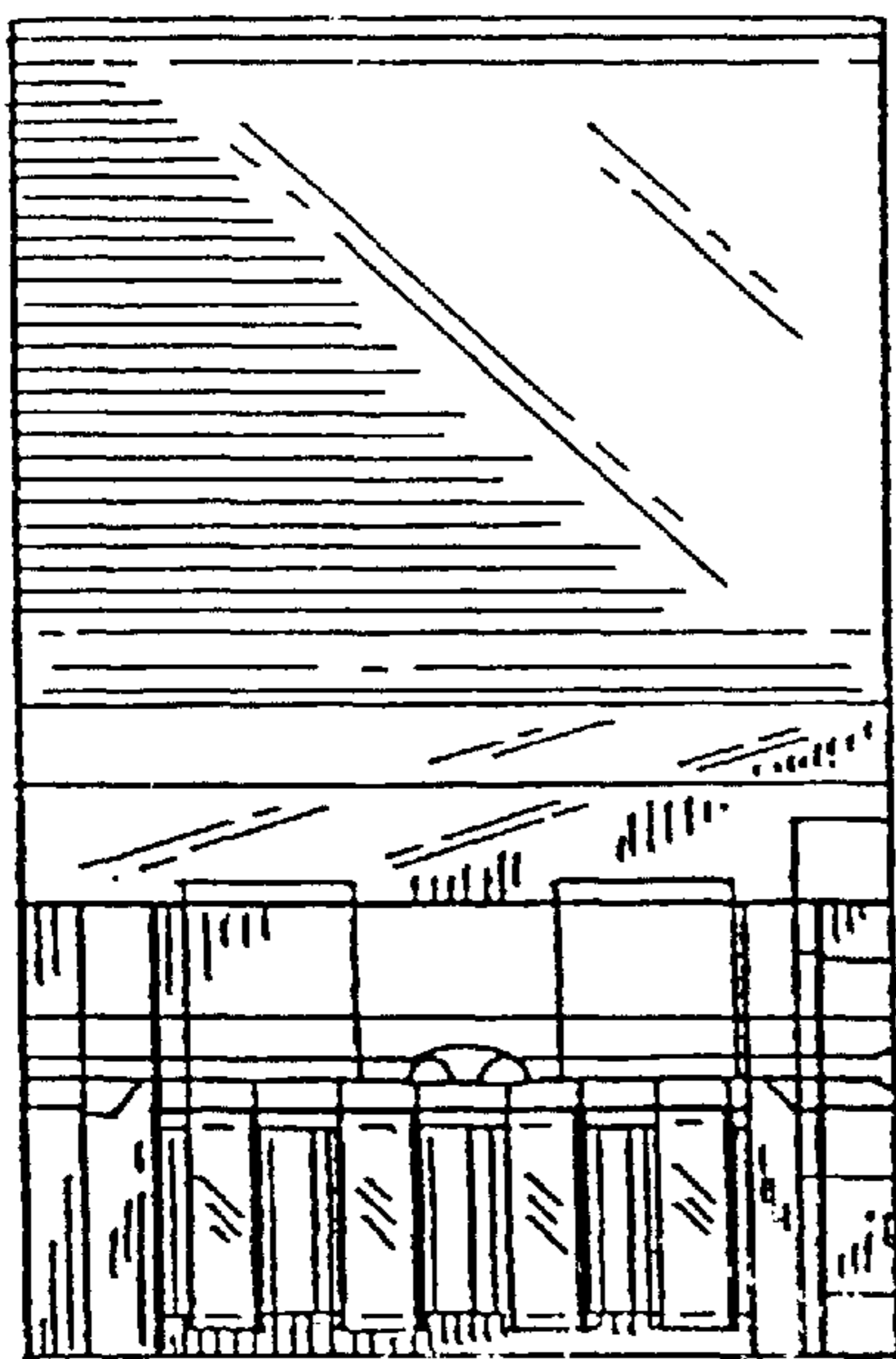


FIG. 4

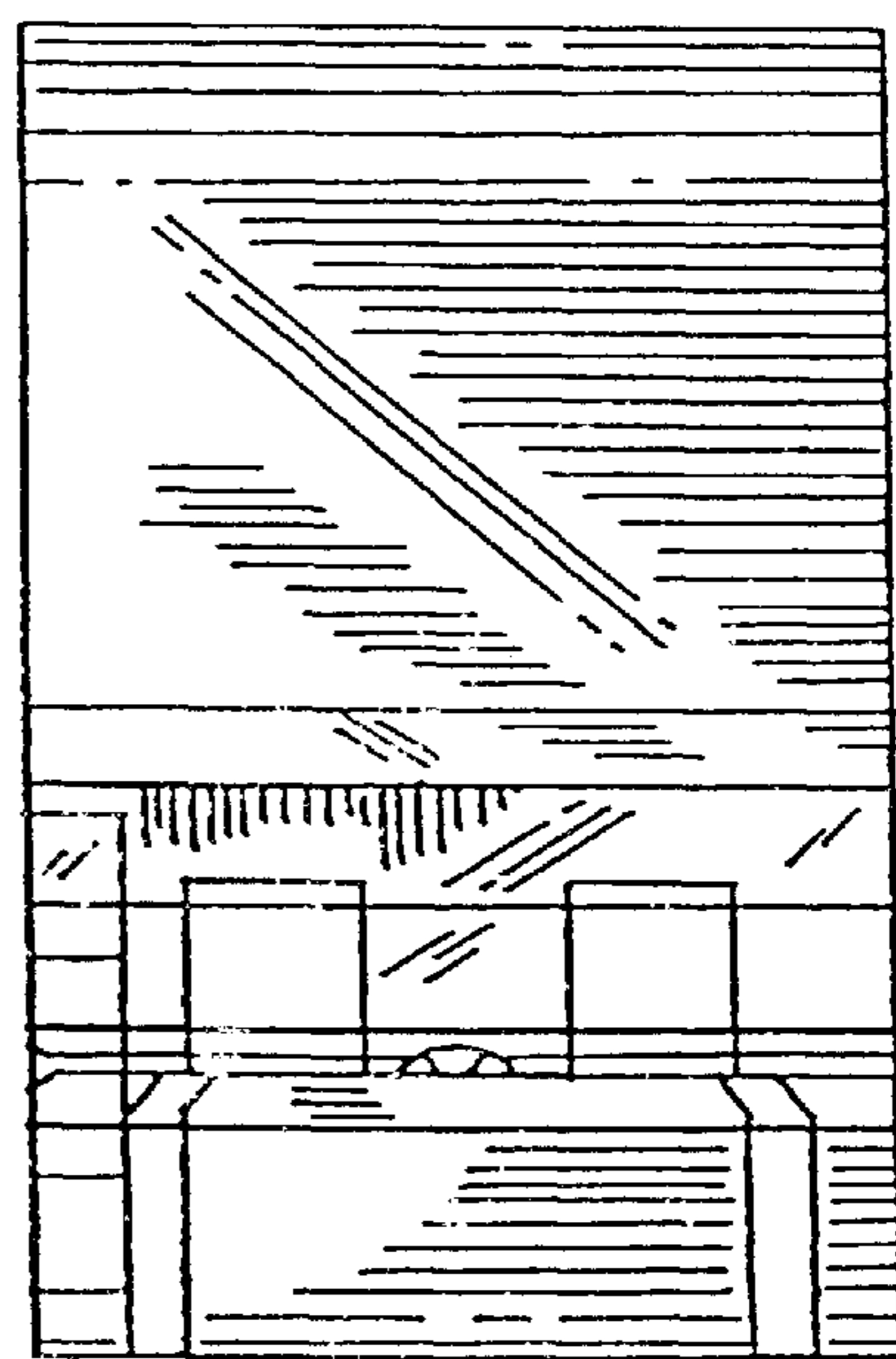


FIG. 5

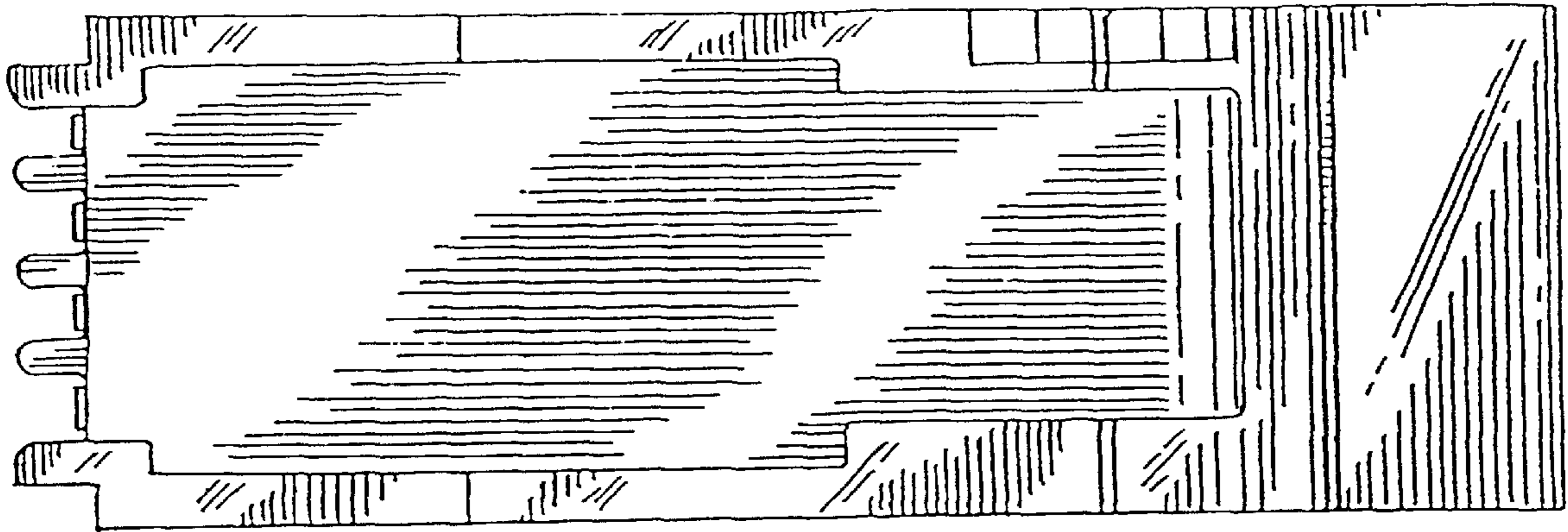


FIG. 6

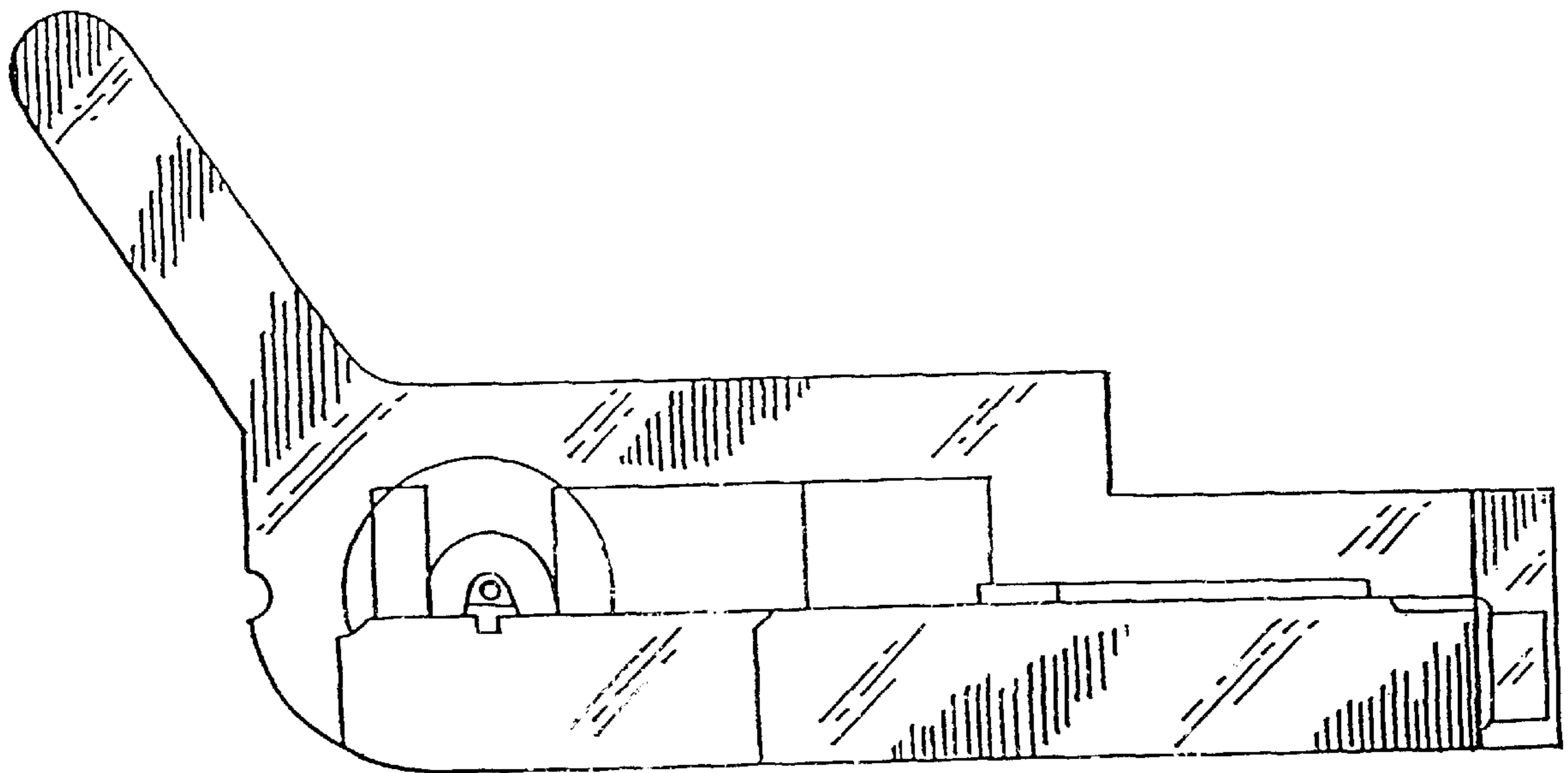


FIG. 7