



US00D474403S

(12) **United States Design Patent**
Fahy et al.

(10) **Patent No.:** **US D474,403 S**

(45) **Date of Patent:** **** May 13, 2003**

(54) **ACTUATOR CAP**

D335,817 S * 5/1993 Greubel D9/300

(75) Inventors: **Cathal L. Fahy**, Columbus, OH (US);
Dale Aberegg, Mount Vernon, OH
(US); **Steven A. Zach**, Racine, WI (US)

* cited by examiner

Primary Examiner—Louis S. Zarfes
Assistant Examiner—Gregory Andoll

(73) Assignee: **S.C. Johnson & Son, Inc.**, Racine, WI
(US)

(57) **CLAIM**

(**) Term: **14 Years**

The ornamental design for an actuator cap, as shown and described.

(21) Appl. No.: **29/161,938**

(22) Filed: **Jun. 5, 2002**

DESCRIPTION

(51) **LOC (7) Cl.** **09-07**

(52) **U.S. Cl.** **D9/448**

(58) **Field of Search** D9/300, 435, 447,
D9/448, 449; 222/153.1, 153.11–153.14,
402.1, 402.11–402.14; 239/333, 337

FIG. 1 is a rear perspective view from above and to one side of an actuator cap showing the new design;

FIG. 2 is a right side elevational view of the actuator cap of FIG. 1, the left side elevational view being a mirror image thereof;

FIG. 3 is a back elevational view of the actuator cap of FIG. 1;

FIG. 4 is a front elevational view of the actuator cap of FIG. 1; and,

FIG. 5 is a top plan view of the actuator cap of FIG. 1.

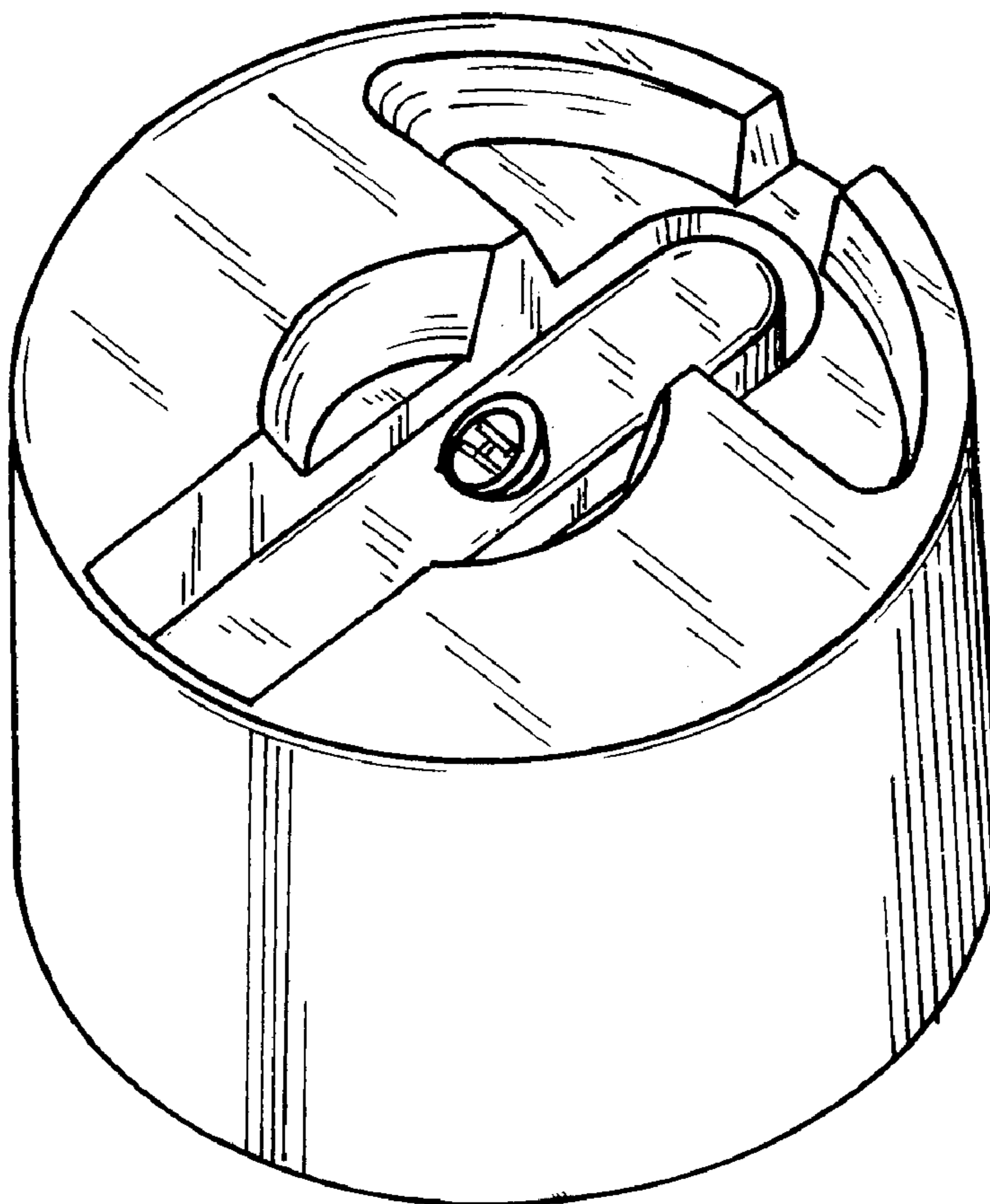
The bottom and interior features of the actuator cap form no part of the claimed design.

(56) **References Cited**

U.S. PATENT DOCUMENTS

- D209,427 S * 11/1967 Charles D9/448
- 4,381,065 A * 4/1983 Hayes 222/402.14
- 5,158,206 A * 10/1992 Kobayashi et al. 222/402.11

1 Claim, 2 Drawing Sheets



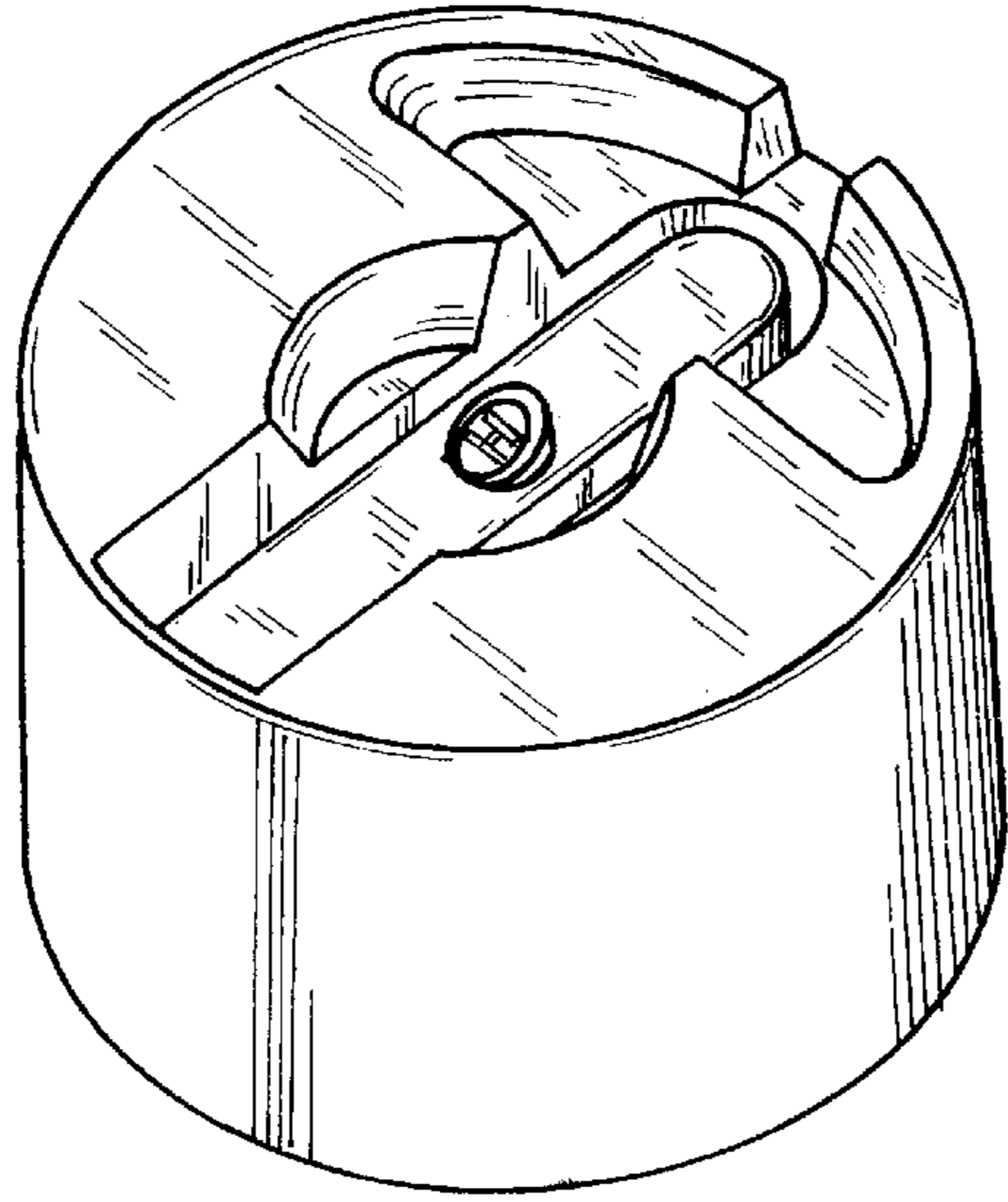


FIG. 1

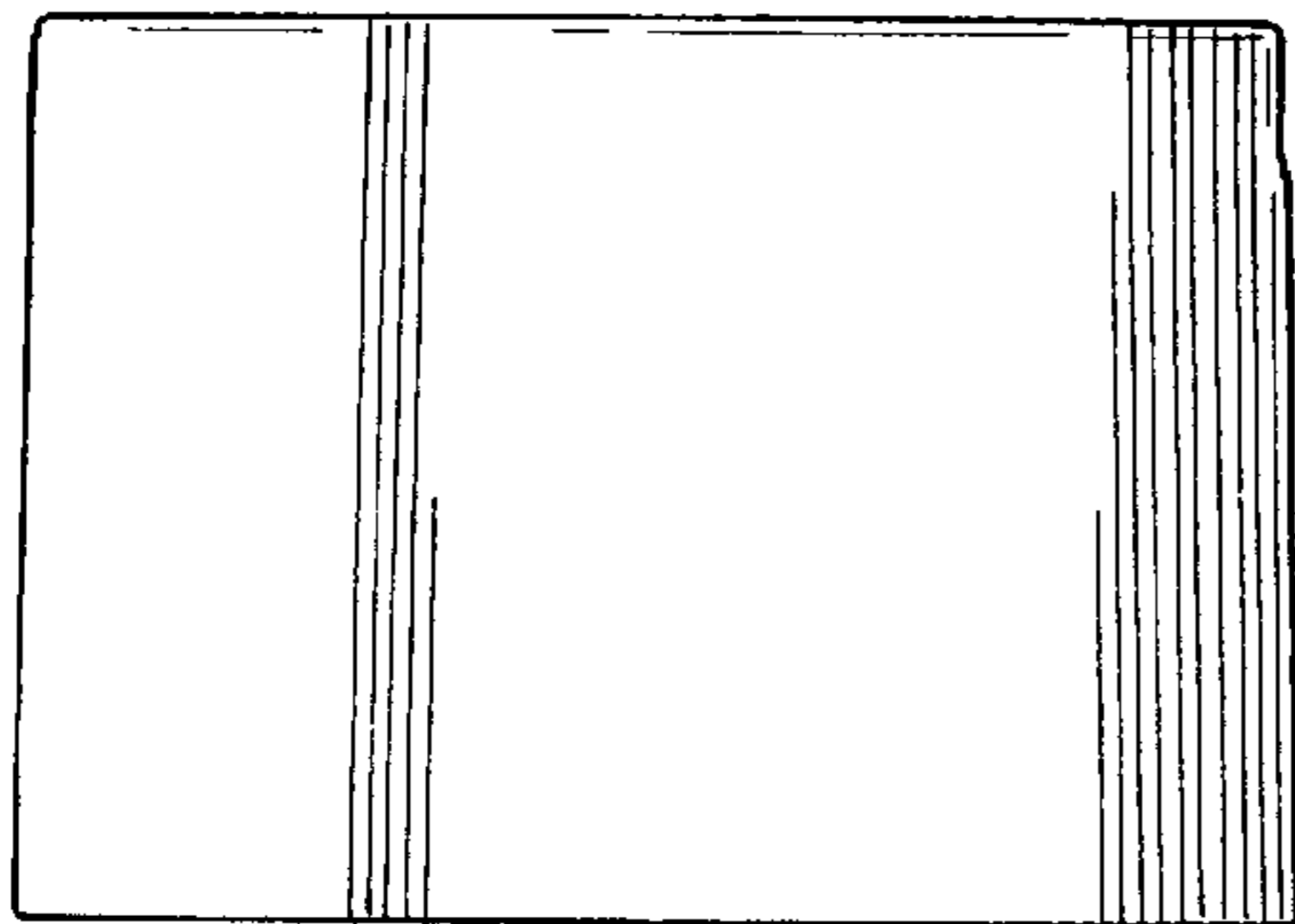


FIG. 2

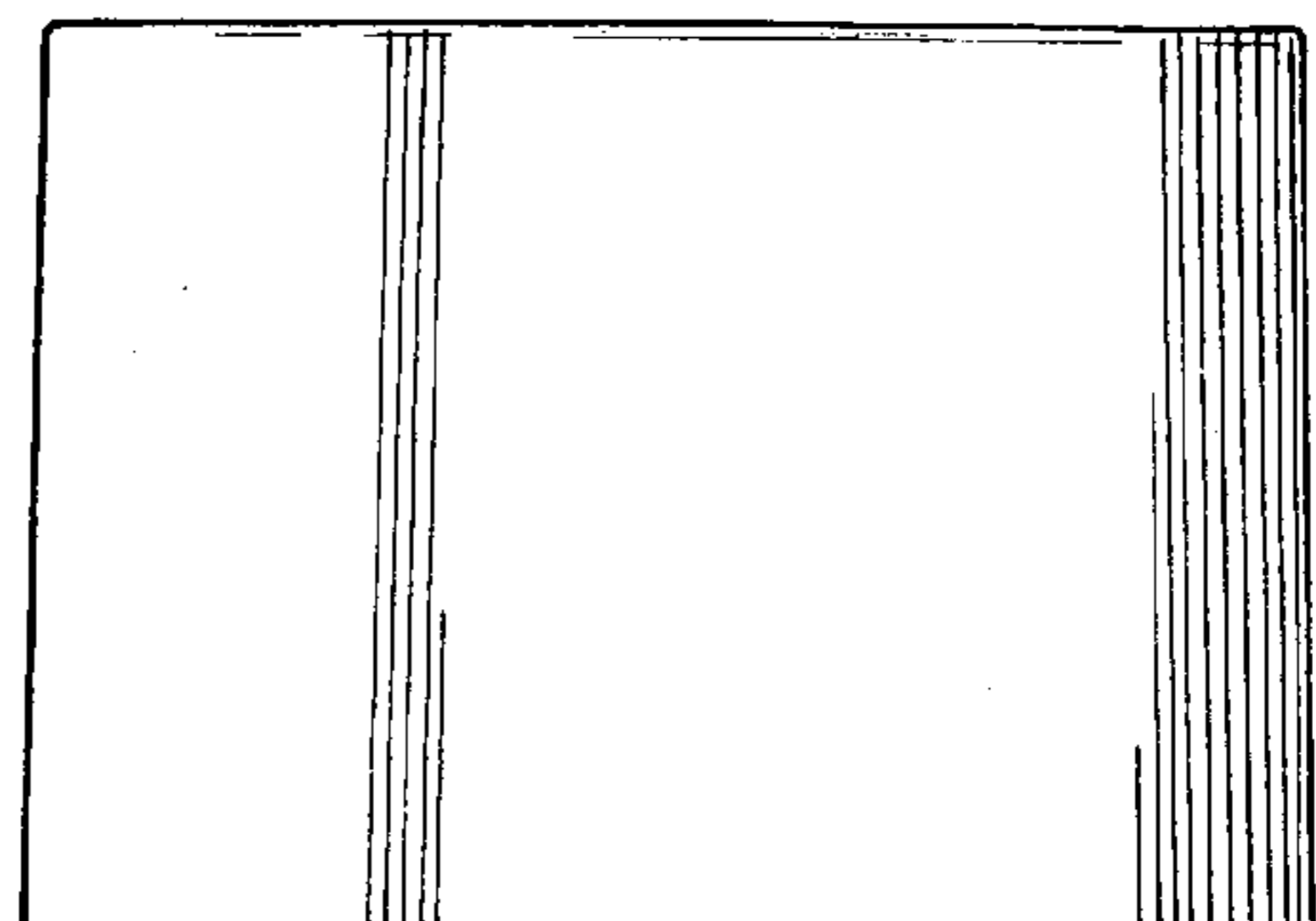


FIG. 3

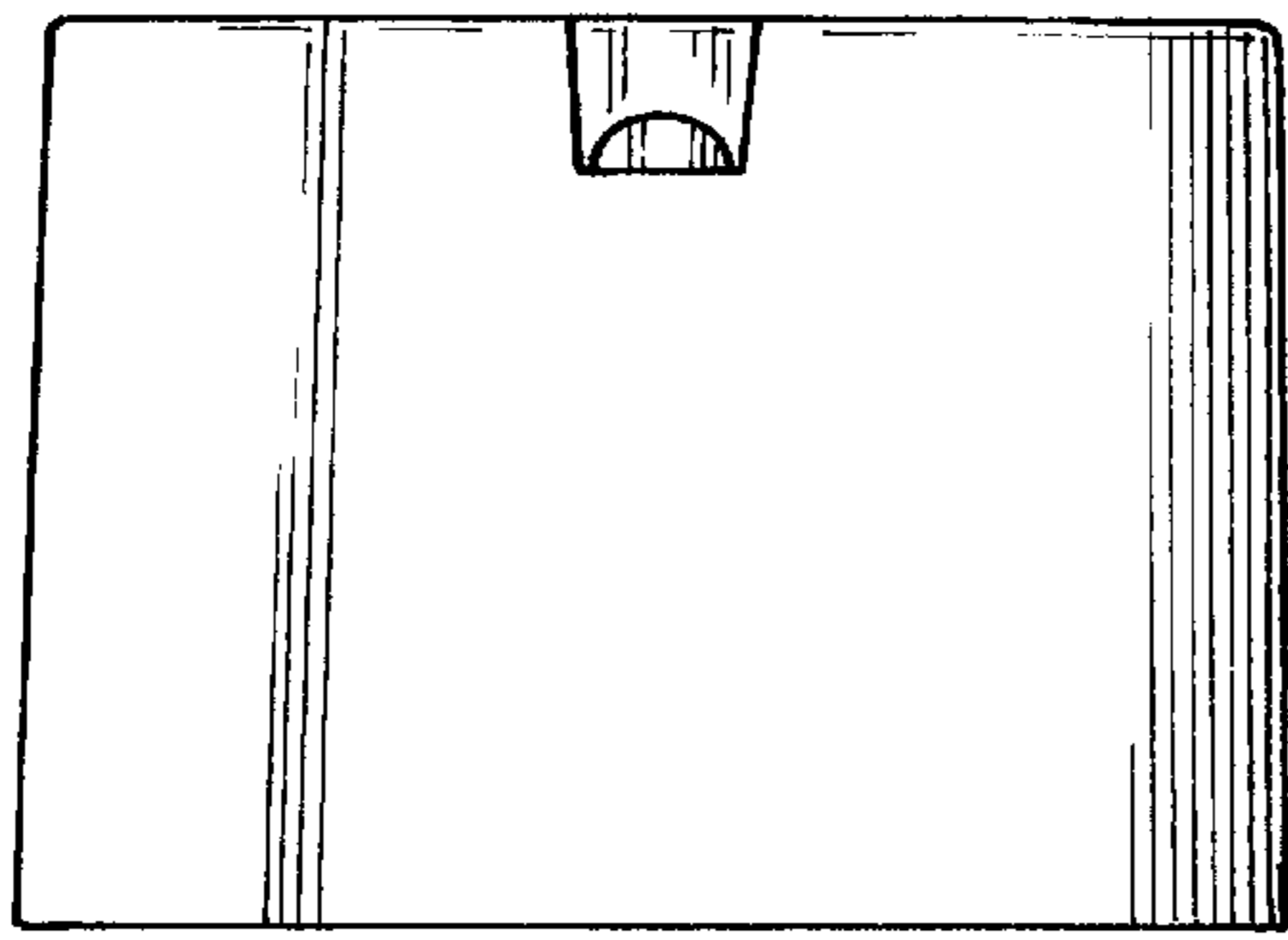


FIG. 4

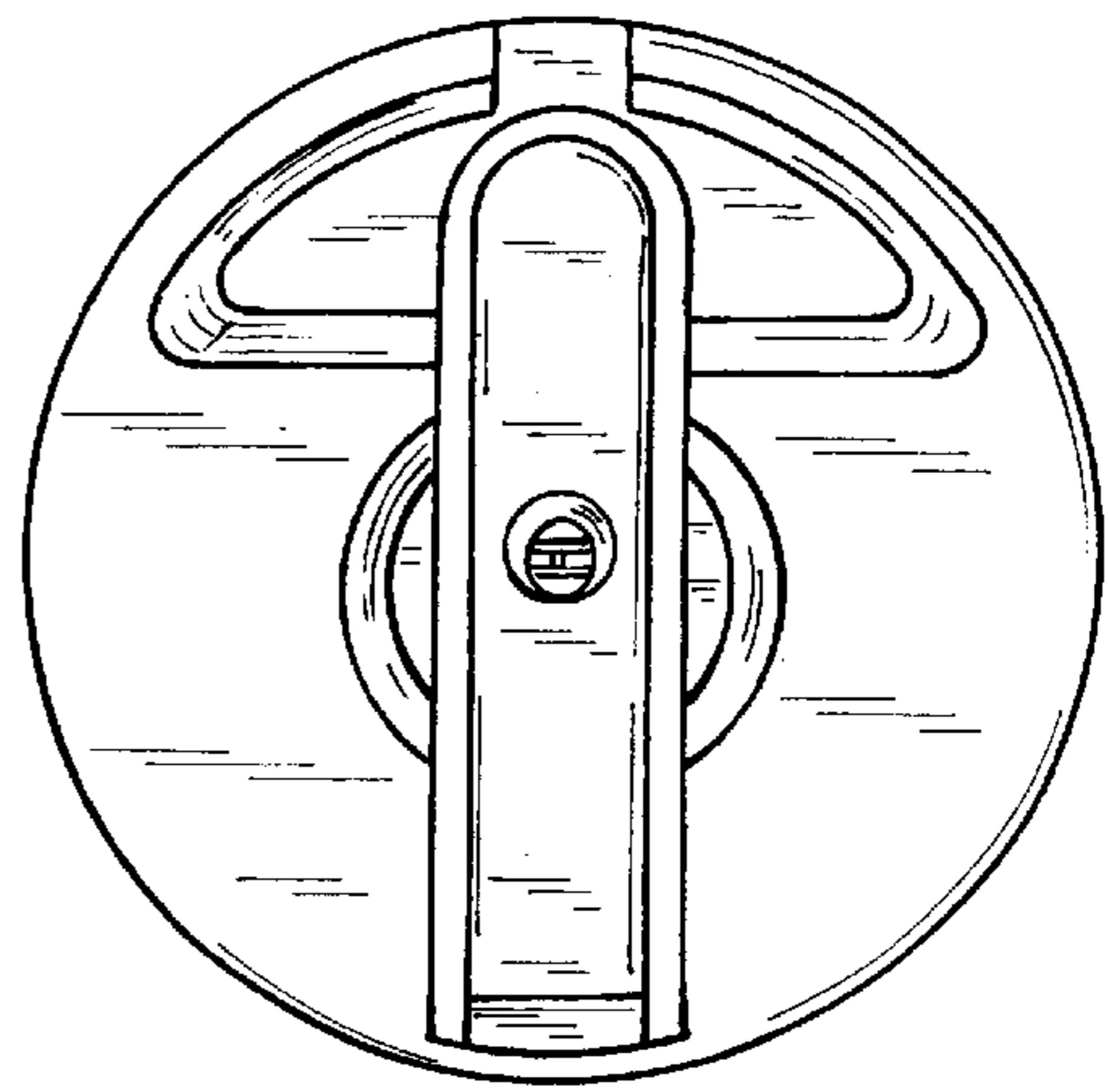


FIG. 5