



US00D474395S

(12) **United States Design Patent**
Mueller

(10) **Patent No.:** **US D474,395 S**

(45) **Date of Patent:** **** May 13, 2003**

(54) **BRACKET**

(75) **Inventor:** **Paul A. Mueller**, Wadsworth, OH (US)

(73) **Assignee:** **Fasteners For Retail, Inc.**, Cleveland, OH (US)

(**) **Term:** **14 Years**

(21) **Appl. No.:** **29/159,371**

(22) **Filed:** **Apr. 19, 2002**

(51) **LOC (7) Cl.** **08-05**

(52) **U.S. Cl.** **D8/354**

(58) **Field of Search** D8/349, 354, 363,
D8/366, 371, 373, 376, 380; 211/86.01,
90.01, 105.1, 193, 134; 248/200, 205.1,
207, 214, 235, 247, 300, 351, 220.41; 108/152;
40/642.02

D425,134 S 5/2000 Kump
6,082,687 A 7/2000 Kump et al.
6,289,618 B1 9/2001 Kump et al.
6,341,755 B1 1/2002 Kump
6,354,546 B1 3/2002 Mueller

OTHER PUBLICATIONS

FFR 1999 Yellow Pages Catalog, cover page, pp. 6a, 10a, 13a, 20 and 97, back cover page.

* cited by examiner

Primary Examiner—Doris V. Coles

Assistant Examiner—Elizabeth Albert

(74) *Attorney, Agent, or Firm*—Fay, Sharpe, Fagan, Minnich & McKee, LLP

(57) **CLAIM**

The ornamental design for a bracket, as shown and described.

(56) **References Cited**

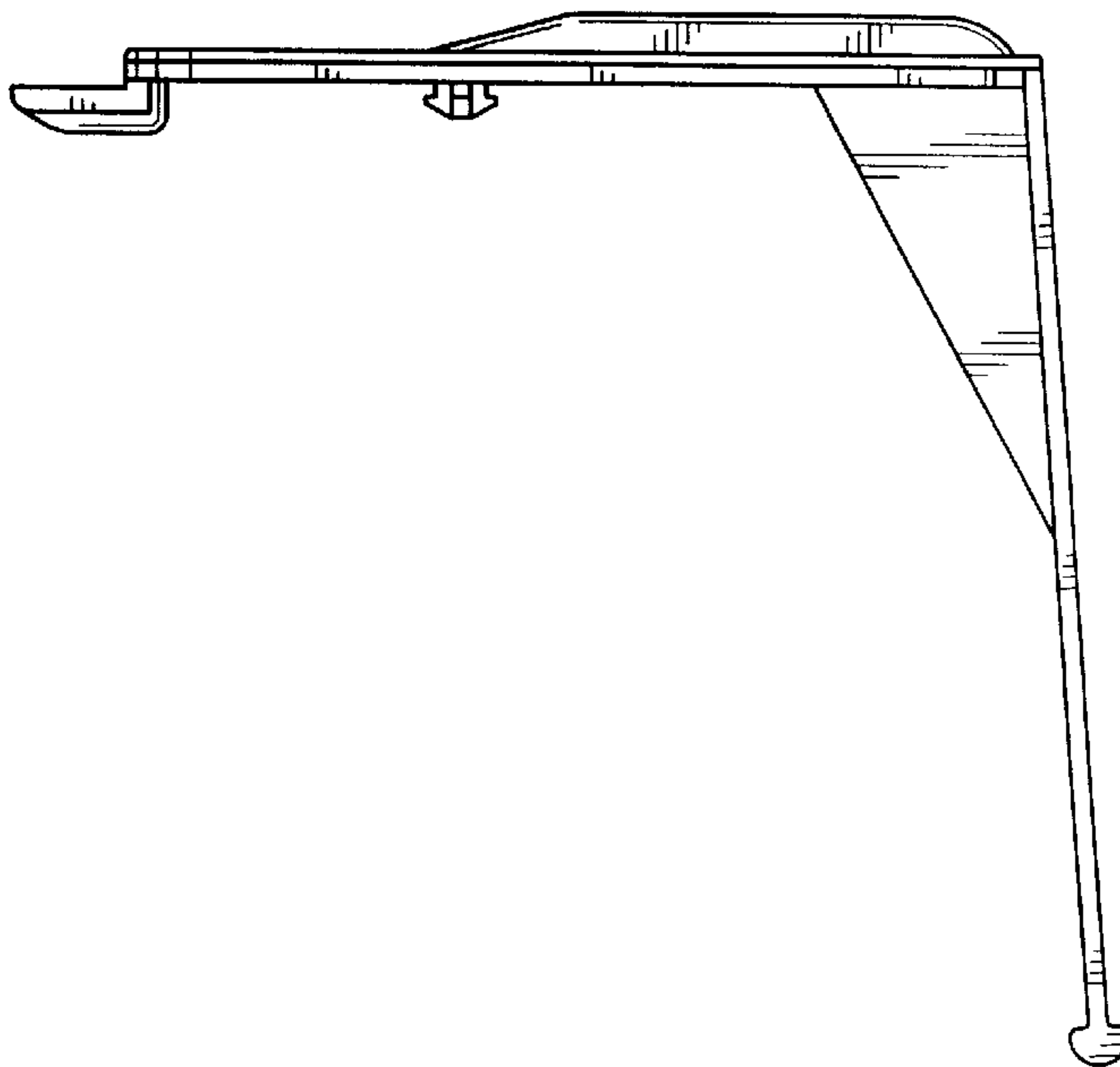
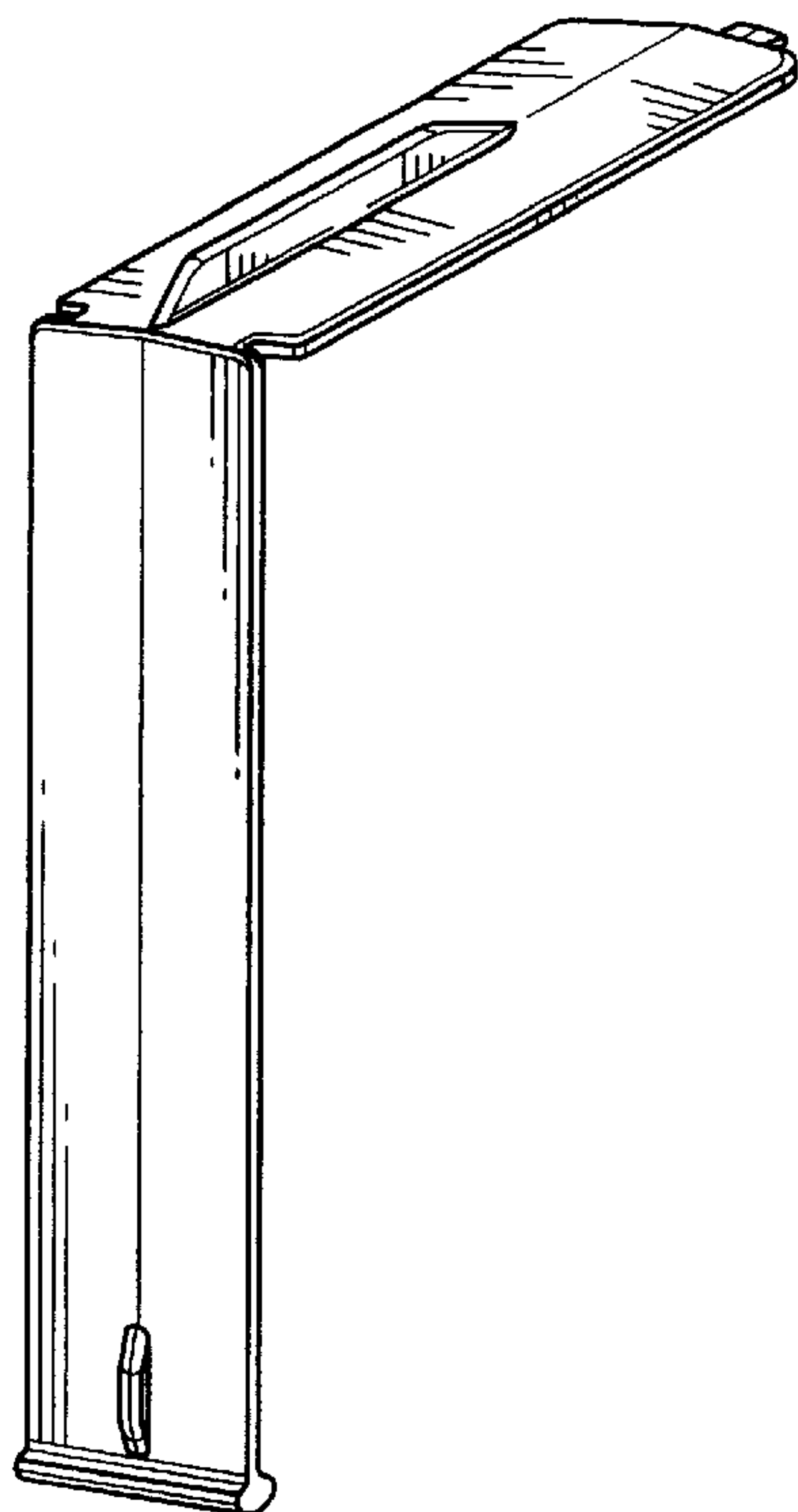
U.S. PATENT DOCUMENTS

852,975 A *	5/1907	Morgan	248/248
1,037,122 A *	8/1912	Buffinger et al.	248/300
D47,283 S *	5/1915	Eagan	D8/380
D251,343 S *	3/1979	Hansen	D8/363
4,854,534 A *	8/1989	Porter	248/235
D310,165 S *	8/1990	Cobb	D8/381
D384,879 S *	10/1997	Carlson	D8/381
5,692,717 A *	12/1997	Glaeser	108/152
5,931,429 A *	8/1999	Hellwig et al.	248/235
D424,121 S	5/2000	Kump	

DESCRIPTION

FIG. 1 is a perspective view of a bracket illustrating my new design;
FIG. 2 is a left side elevational view thereof, with a right side elevational view being a mirror image thereof;
FIG. 3 is a front elevational view thereof;
FIG. 4 is a rear elevational view thereof;
FIG. 5 is a top plan view thereof; and,
FIG. 6 is a bottom plan view thereof.

1 Claim, 2 Drawing Sheets



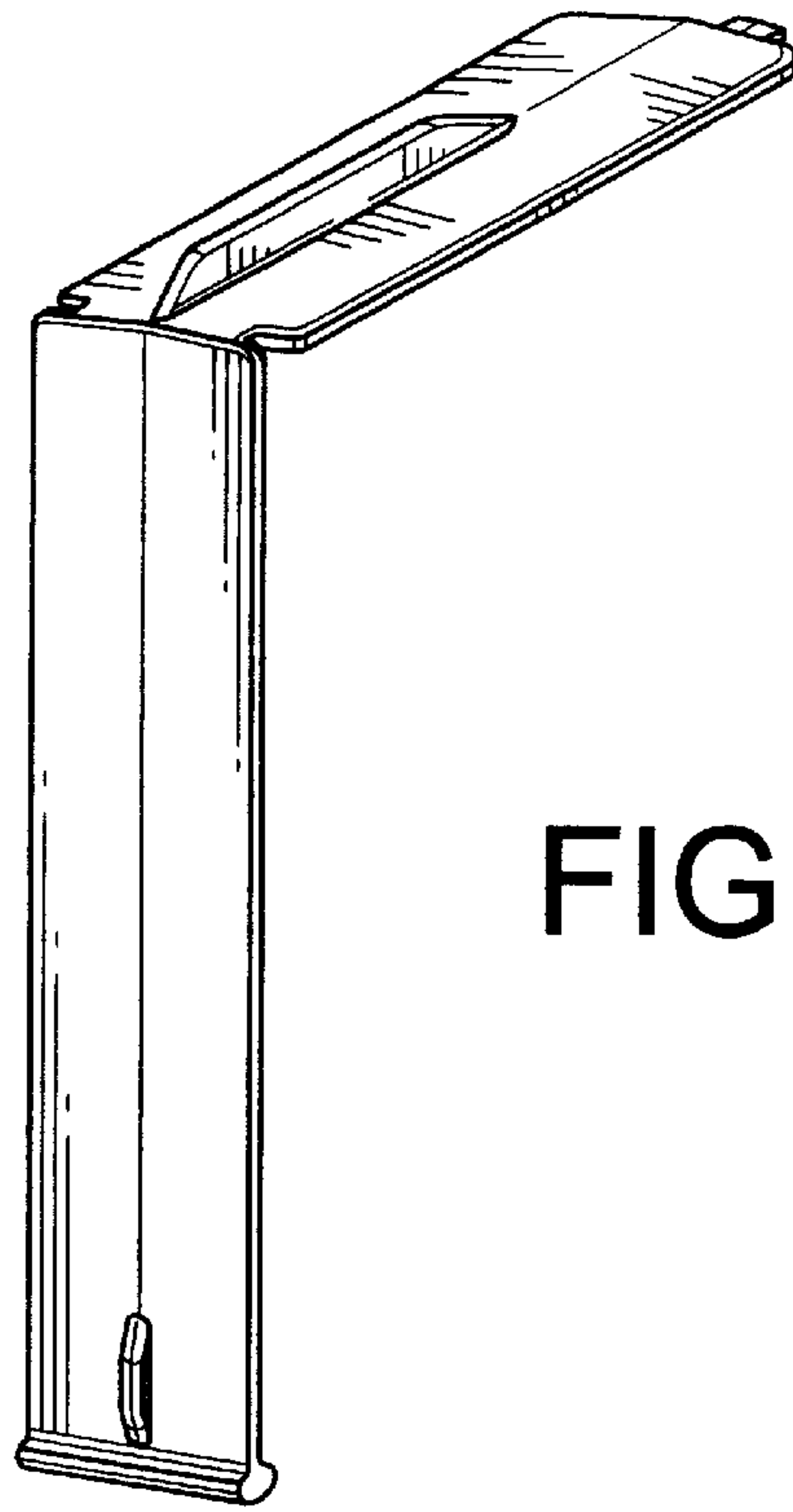


FIG. 1

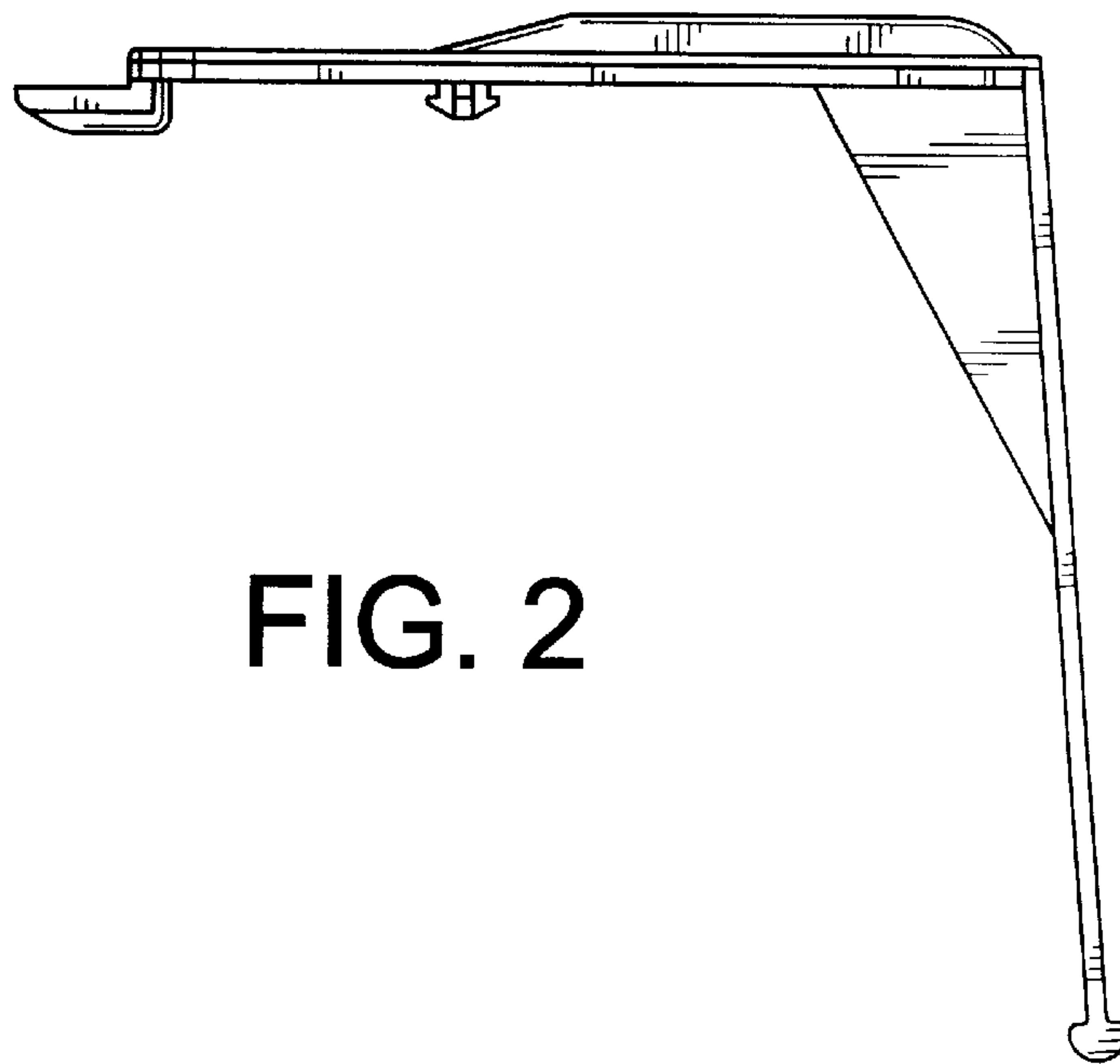


FIG. 2

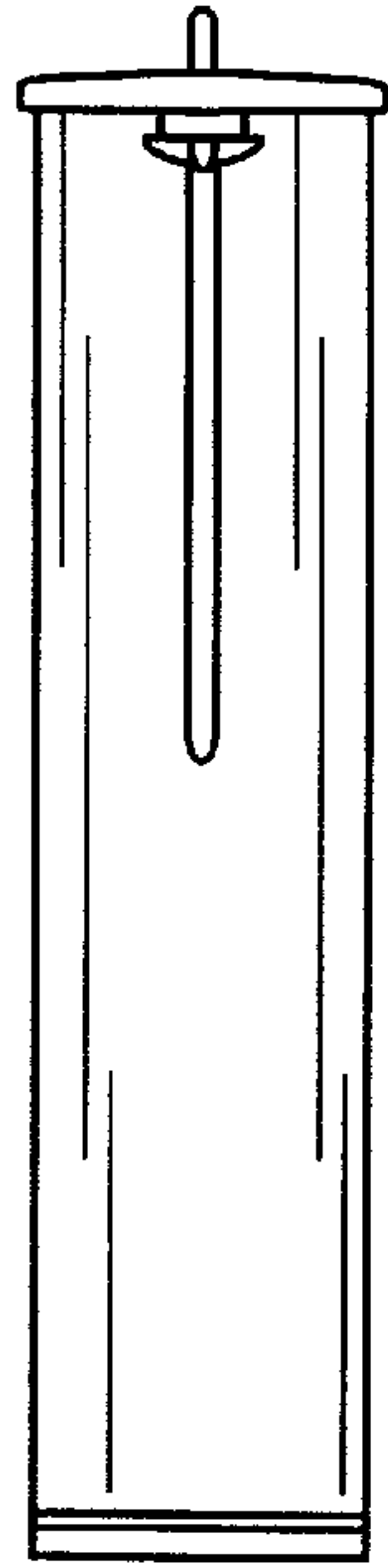


FIG. 4

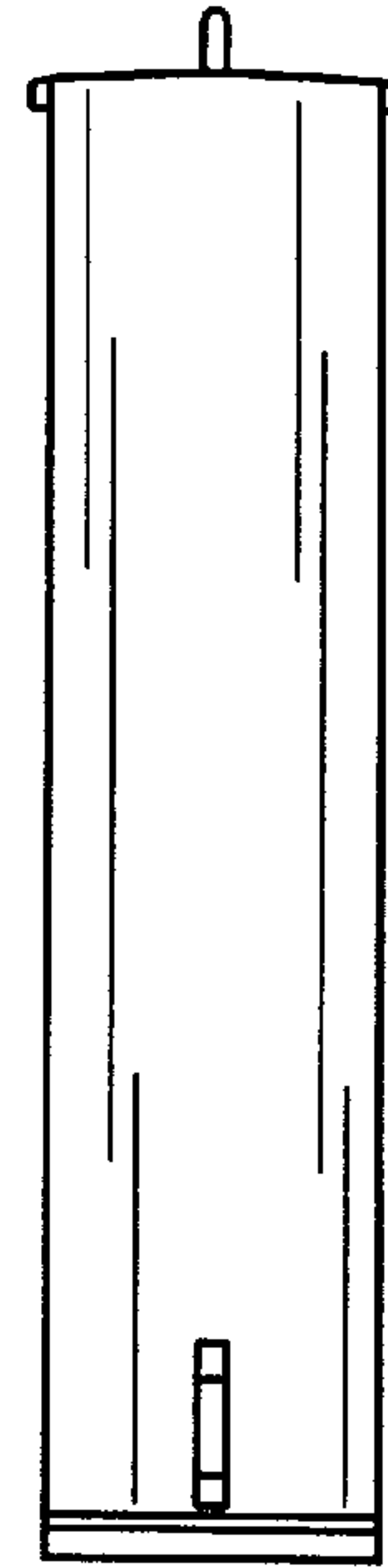


FIG. 3

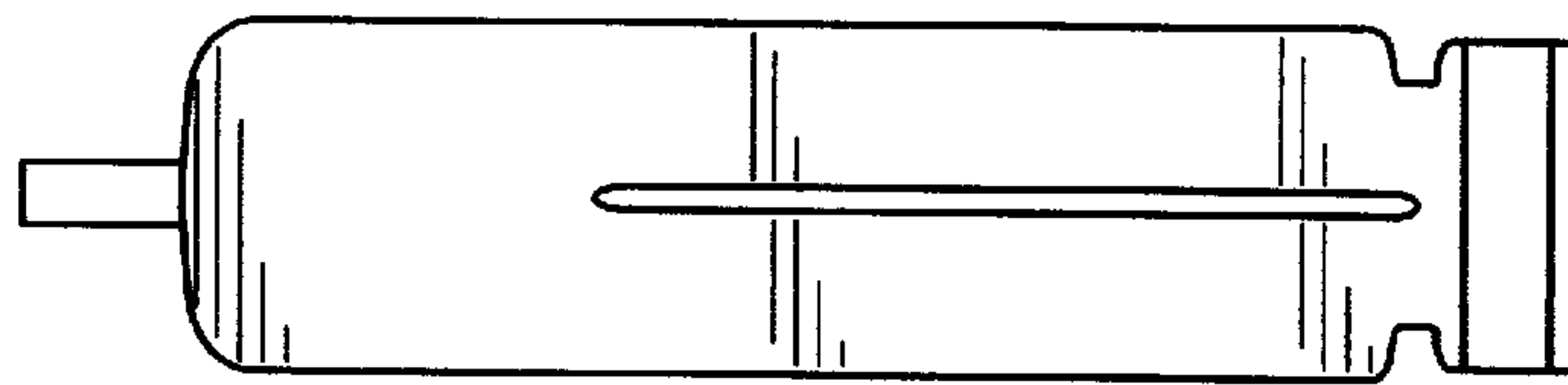


FIG. 5

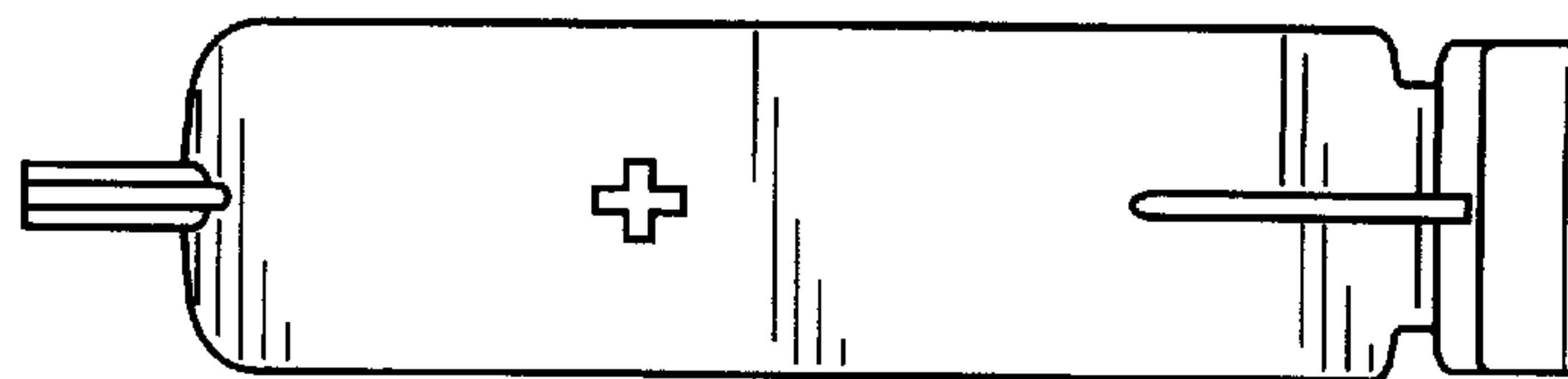


FIG. 6