



US00D474391S

(12) **United States Design Patent**  
**Padden et al.**

(10) **Patent No.: US D474,391 S**

(45) **Date of Patent: \*\* May 13, 2003**

(54) **MULTIPURPOSE SURVIVOR TOOL**

(76) Inventors: **Stephen J. Padden**, 2900 Eastman Ave., #110, Ventura, CA (US) 93003;  
**Shozo Yamada**, 2-7-7 Hinodemachi, Seki City, Gifu Pref (JP), 501-3873

(\*\*) Term: **14 Years**

(21) Appl. No.: **29/156,788**

(22) Filed: **Mar. 6, 2002**

(51) **LOC (7) Cl. .... 08-03**

(52) **U.S. Cl. .... D8/99; D8/105; D26/38**

(58) **Field of Search .... D8/98, 99, 100, D8/105; D26/38; 30/153, 154, 155, 156, 157, 158, 159; 362/109, 119, 120**

(56) **References Cited**

**U.S. PATENT DOCUMENTS**

3,370,163 A	2/1968	Brill .....	362/119
4,282,562 A	8/1981	Marino .....	362/183
4,669,186 A	6/1987	Liu .....	30/125
4,739,457 A	4/1988	Orr .....	362/287
4,754,379 A	6/1988	Kelley .....	362/202
5,313,376 A	5/1994	McIntosh .....	362/119
D353,011 S	* 11/1994	Miller .....	D26/38
5,402,575 A	4/1995	Maxcy .....	30/123
5,467,256 A	* 11/1995	Chen .....	30/123
D371,289 S	* 7/1996	Huang .....	D8/107

5,626,414 A	*	5/1997	Chen .....	362/119
5,727,319 A		3/1998	Myerchin et al. ....	30/123
D408,256 S	*	4/1999	Maxcy .....	D8/99
5,904,414 A		5/1999	Monteleone .....	362/205
6,099,138 A		8/2000	Cardan .....	362/109
6,283,607 B1		9/2001	Lin .....	362/119

**FOREIGN PATENT DOCUMENTS**

GB 2211952 A 12/1989

\* cited by examiner

*Primary Examiner*—Philip S. Hyder

(74) *Attorney, Agent, or Firm*—Kenneth J. Hovet

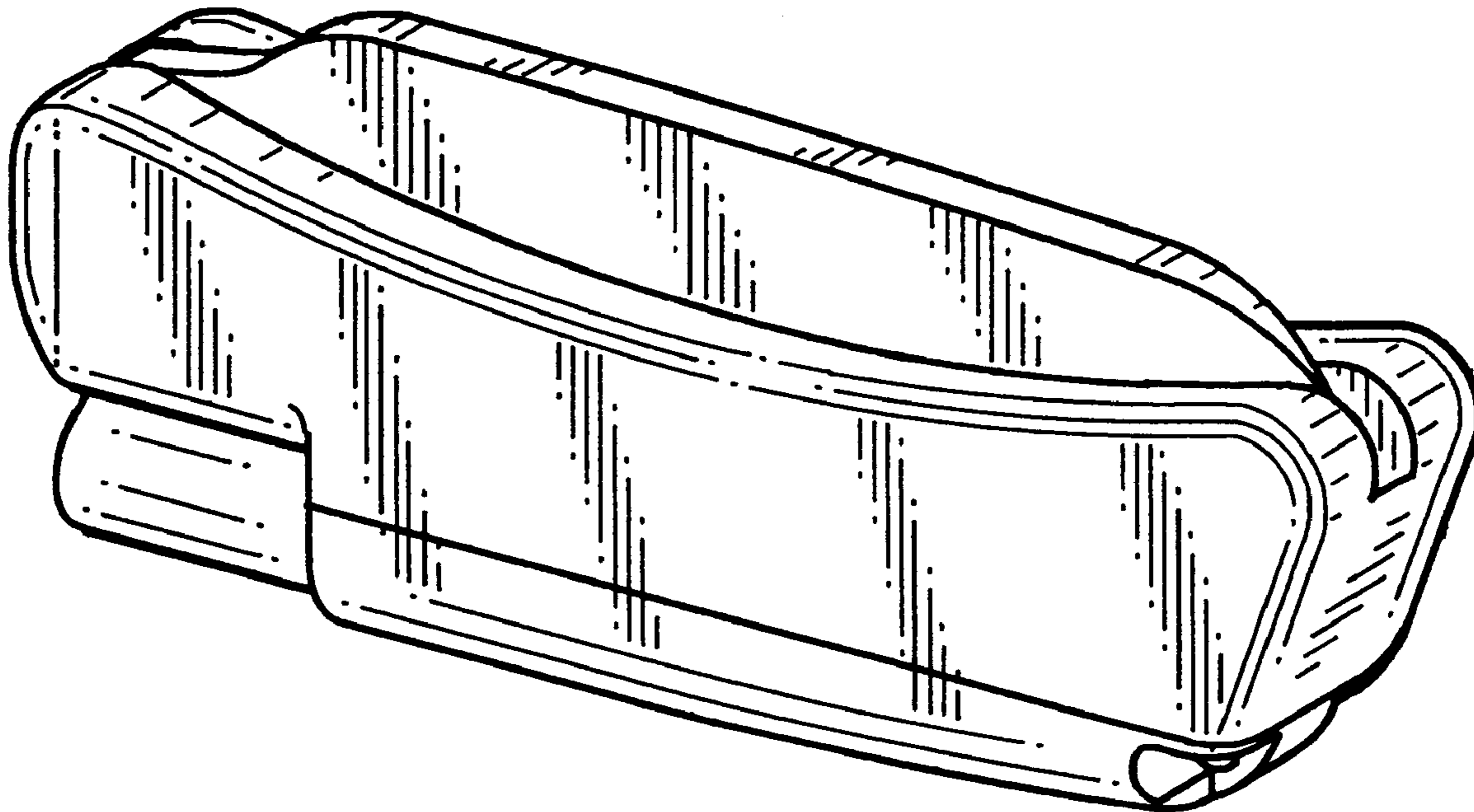
(57) **CLAIM**

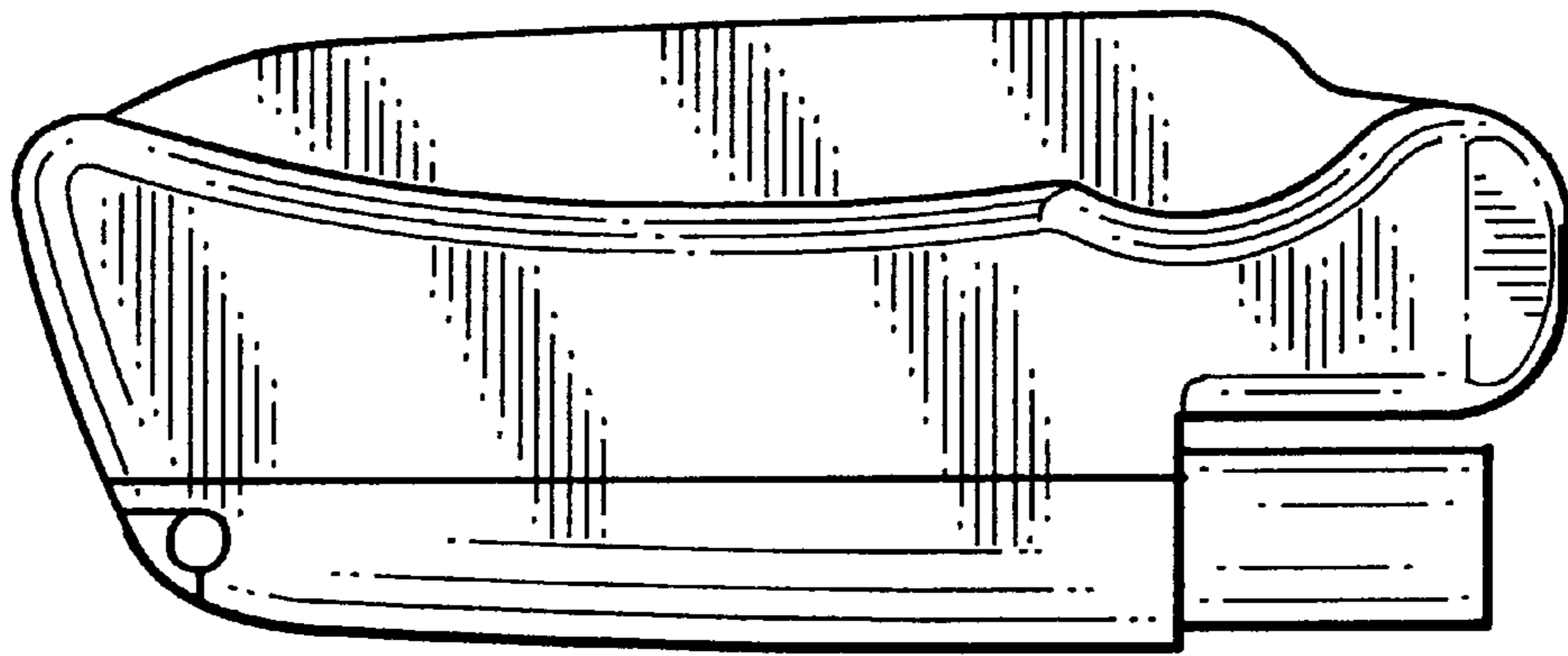
The ornamental design for a multipurpose survivor tool, as shown and described.

**DESCRIPTION**

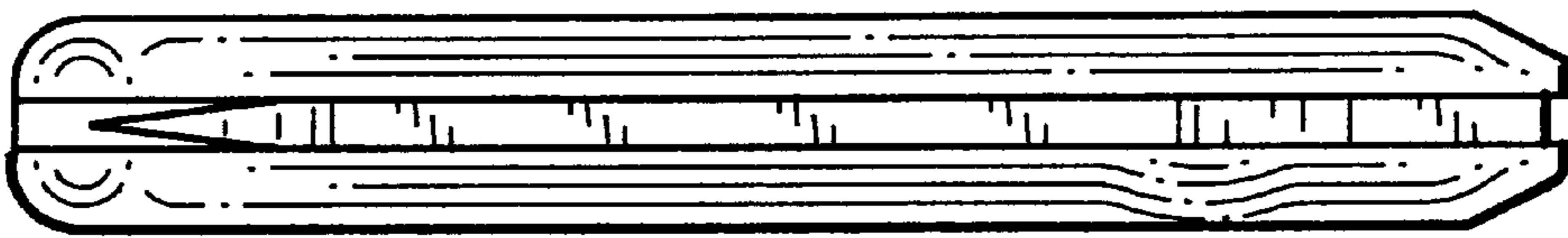
FIG. 1 is a right side elevational view of a multipurpose survivor tool showing our new design;  
FIG. 2 is a top plan view of the tool shown in FIG. 1;  
FIG. 3 is a left side elevational view thereof;  
FIG. 4 is a bottom plan view thereof;  
FIG. 5 is a front end elevational view of FIG. 4;  
FIG. 6 is a rear end elevational view of FIG. 4; and,  
FIG. 7 is a rear end perspective view of FIG. 1.

**1 Claim, 2 Drawing Sheets**

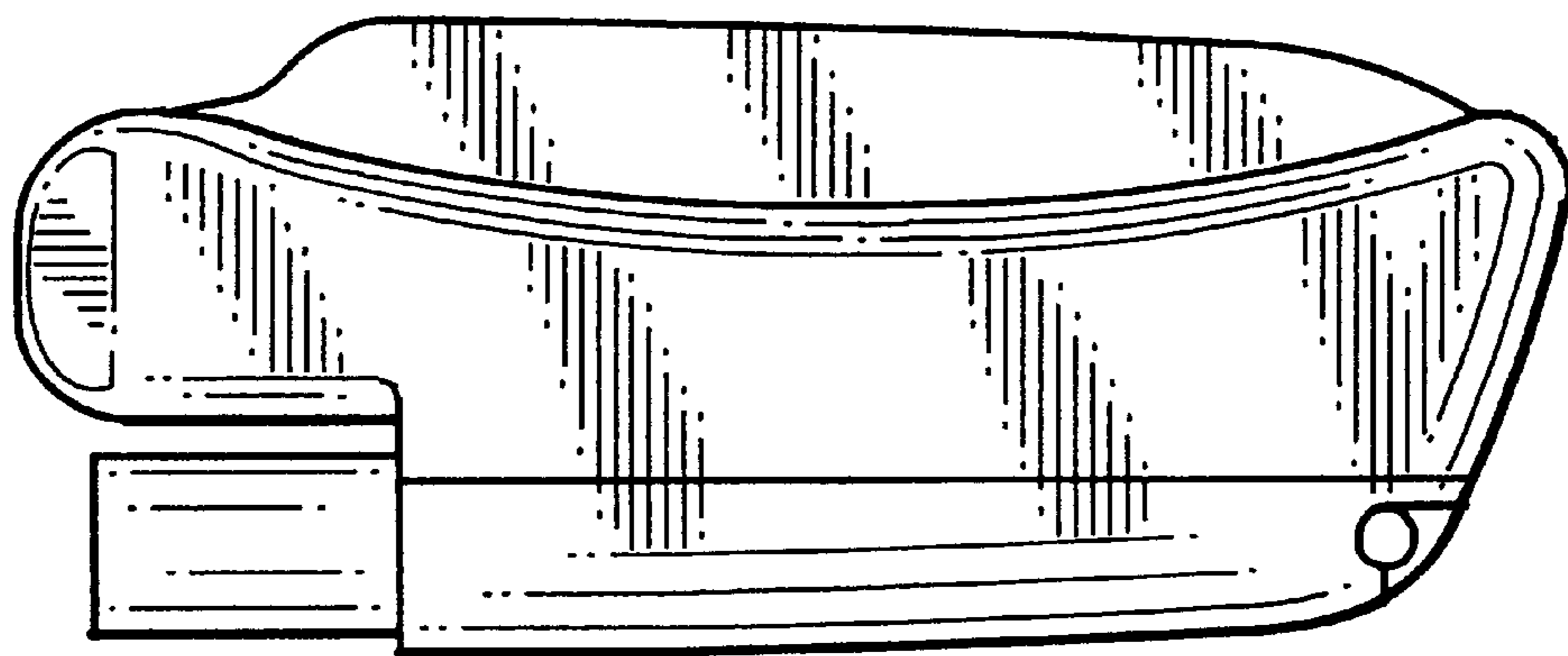




*FIG. 1*



*FIG. 2*



*FIG. 3*

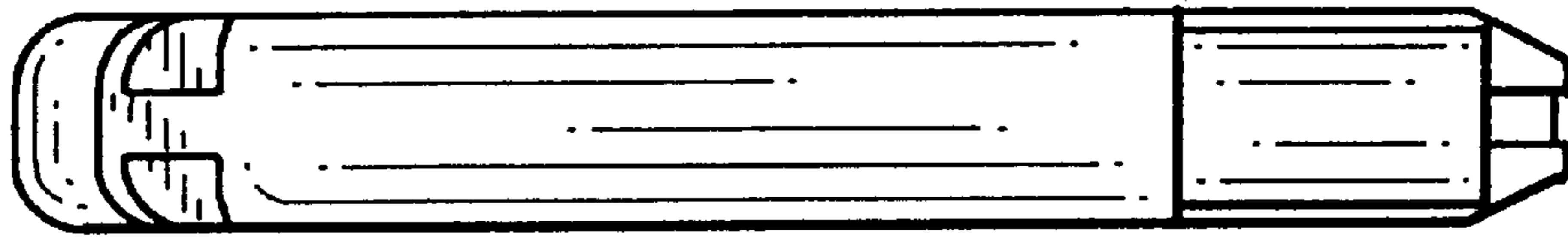


FIG. 4

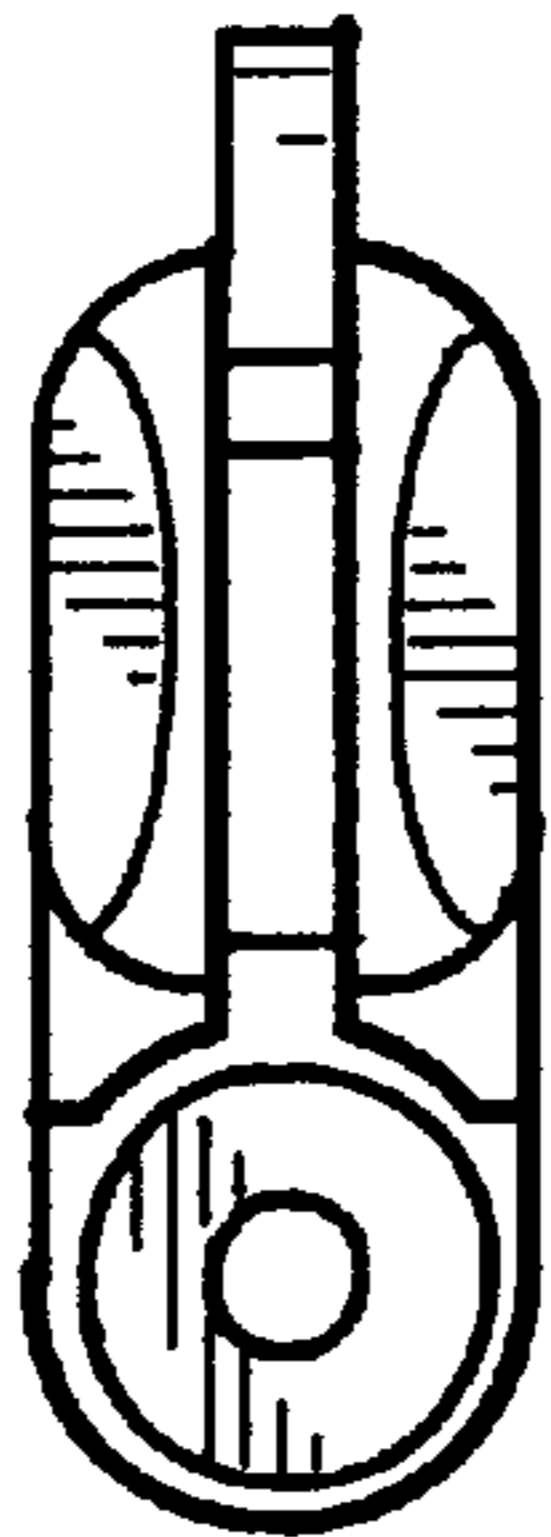


FIG. 5

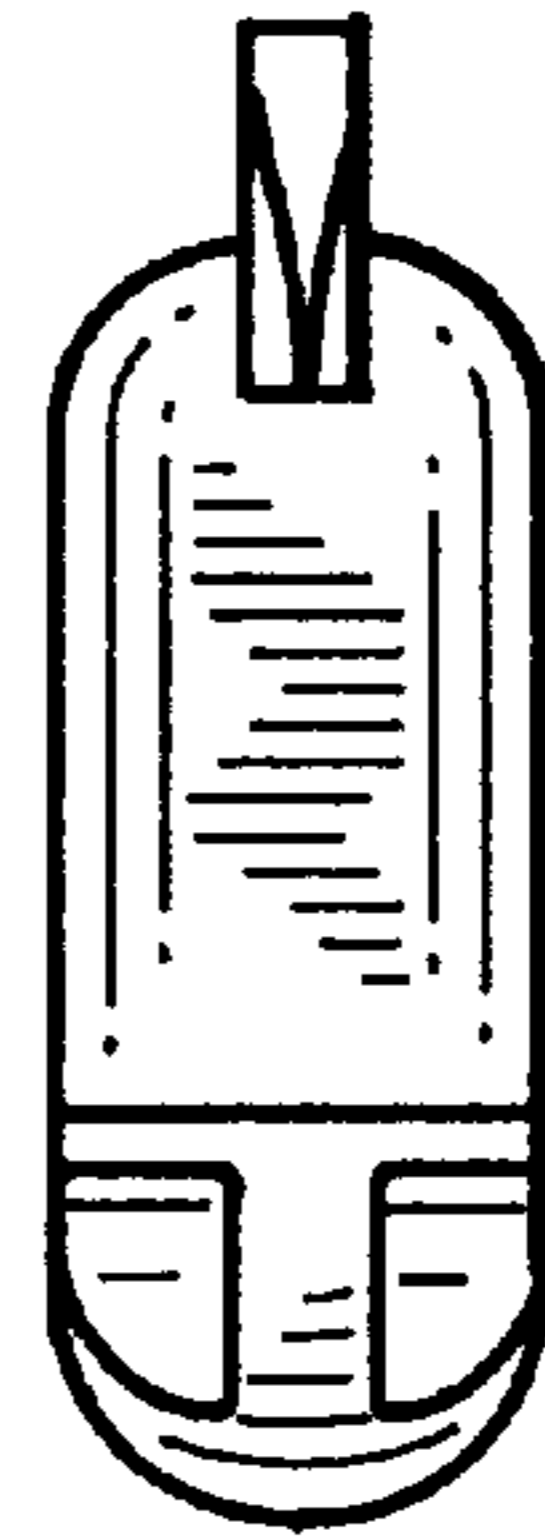


FIG. 6

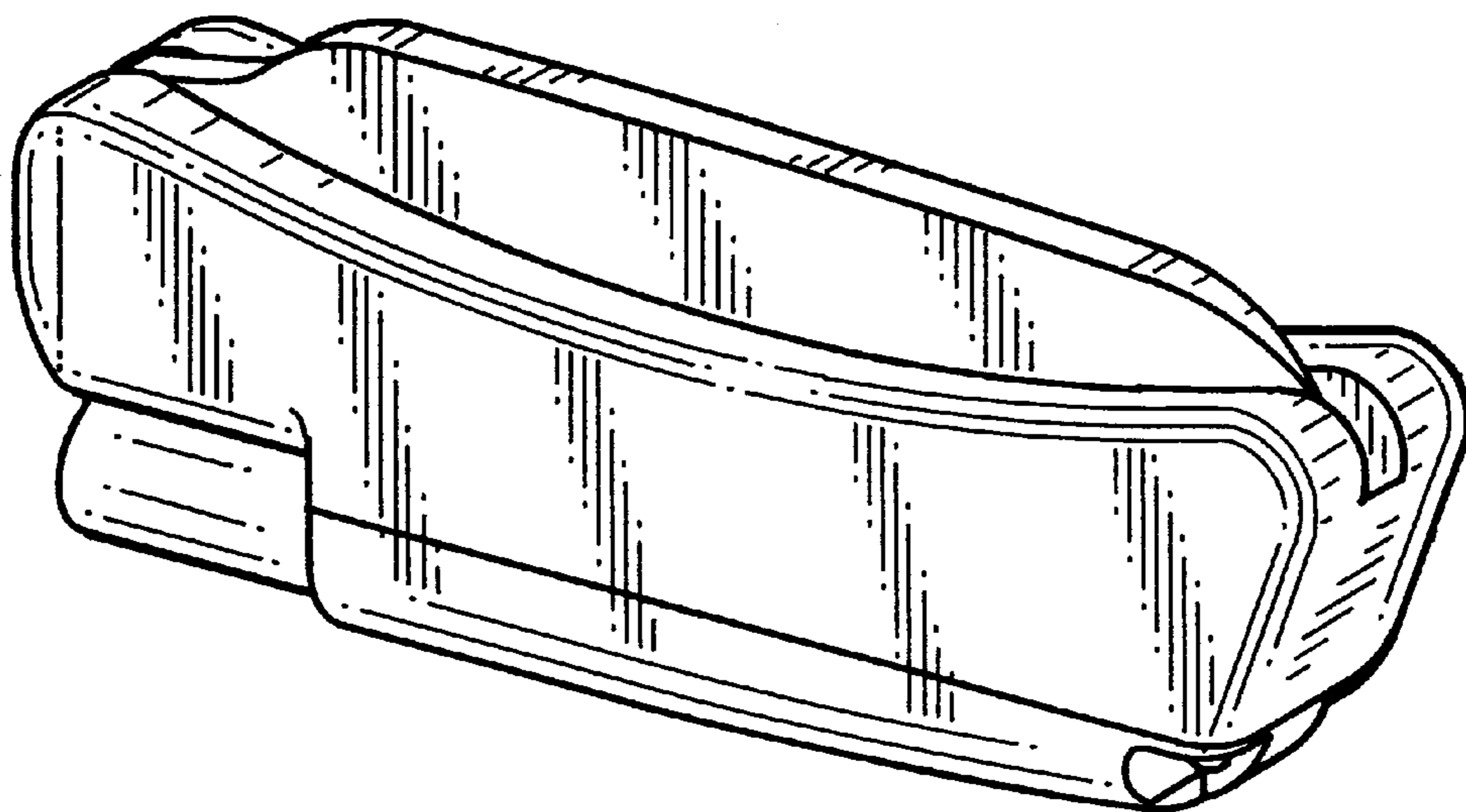


FIG. 7