



US00D474387S

(12) **United States Design Patent**
Chunn et al.

(10) **Patent No.:** **US D474,387 S**

(45) **Date of Patent:** **** May 13, 2003**

(54) **KEYLESS DRILL CHUCK**

(75) Inventors: **Daniel A. Chunn**, Hong Kong (CN);
Meily Siu Mei Chan, Hong Kong
(CN); **Felix Hei Shun Leung**, Hong
Kong (CN)

(73) Assignee: **TechTronic Industries Co., LTD (HK)**

(**) Term: **14 Years**

D423,527 S * 4/2000 Sakamaki D8/70
6,068,266 A * 5/2000 Barton et al. 279/62
D426,442 S * 6/2000 Long D8/70
6,102,411 A * 8/2000 Wilson 279/62
6,186,516 B1 * 2/2001 Miles et al. 279/62
6,279,918 B1 * 8/2001 Barton et al. 279/902
6,354,605 B1 * 3/2002 Aultman 279/60
D461,696 S * 8/2002 Chunn et al. D8/70
D461,697 S * 8/2002 Chunn et al. D8/70
6,428,018 B1 * 8/2002 Aultman et al. 279/902
D462,249 S * 9/2002 Chunn et al. D8/70

(21) Appl. No.: **29/150,510**
(22) Filed: **Nov. 5, 2001**
(51) **LOC (7) Cl.** **08-05**
(52) **U.S. Cl.** **D8/70; D15/140**
(58) **Field of Search** D8/70, 68, 69;
D15/140; 279/60, 61, 62, 63, 64, 65, 66,
157, 901, 902; 408/56, 240

* cited by examiner

Primary Examiner—Doris V. Coles
Assistant Examiner—T. Chase Nelson
(74) *Attorney, Agent, or Firm*—Andrew Y. Pang; Nexsen
Pruet Jacobs & Pollard, LLC

(56) **References Cited**

U.S. PATENT DOCUMENTS

D346,541 S * 5/1994 Somers D8/70
D361,076 S * 8/1995 Shadeck et al. D15/140
D363,295 S * 10/1995 Barton D15/140
5,503,409 A * 4/1996 Rohm 279/902
D386,193 S * 11/1997 Steadings D8/70
D400,418 S * 11/1998 Lui D8/70
D403,222 S * 12/1998 Lui D8/70
D404,988 S * 2/1999 Long D8/70
D409,067 S * 5/1999 Sakamaki D8/70
D413,340 S * 8/1999 Gaddis D15/140
5,934,690 A * 8/1999 Lin 279/61

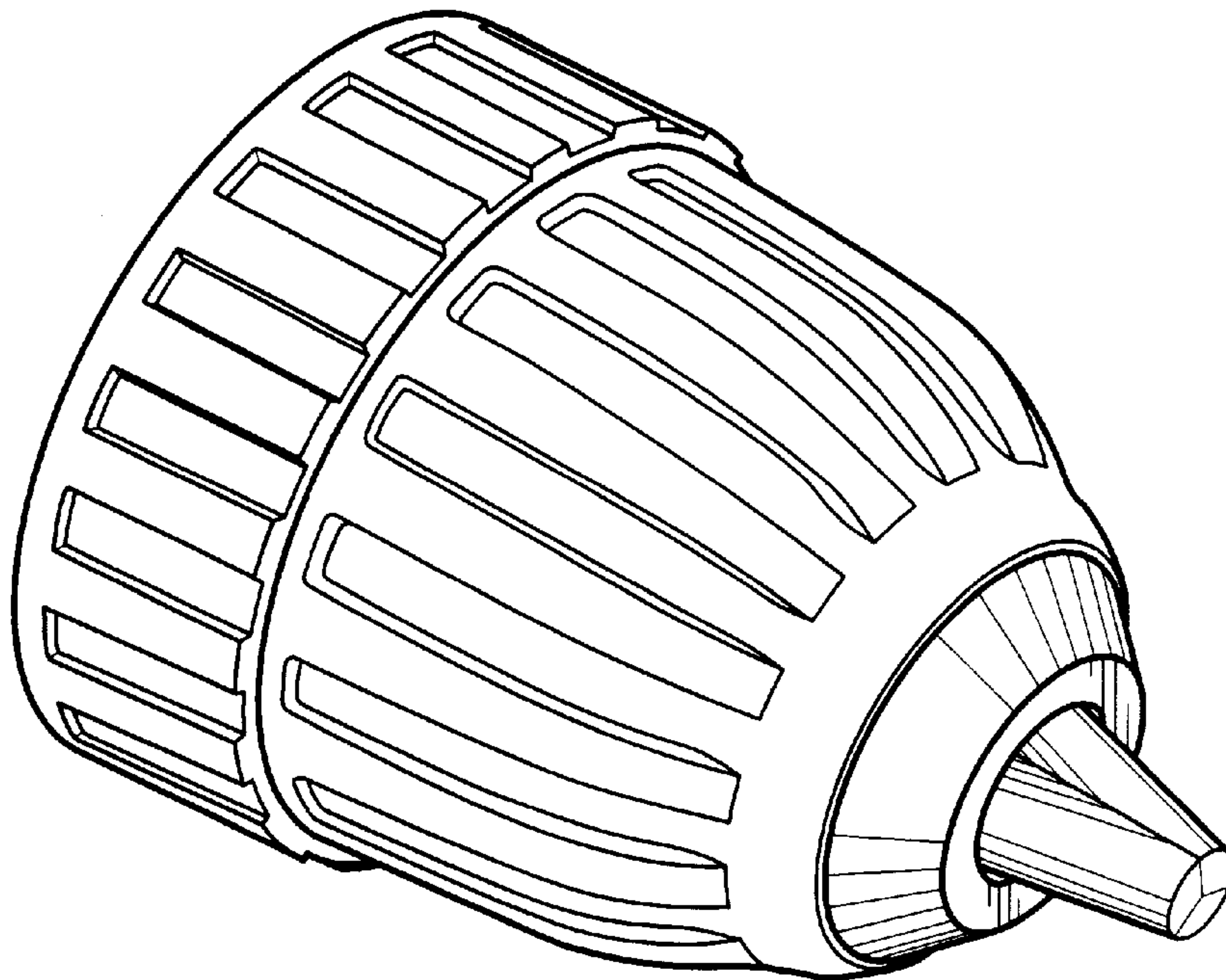
(57) **CLAIM**

The ornamental design for a keyless drill chuck, as shown
and described.

DESCRIPTION

FIG. 1 is a front perspective view of the keyless drill chuck
of the present invention;
FIG. 2 is a rear perspective view;
FIG. 3 is a side elevational view, the top and bottom views
being identical and the rear side elevation view a mirror
image thereof;
FIG. 4 is a front end view; and,
FIG. 5 is a rear end view.

1 Claim, 2 Drawing Sheets



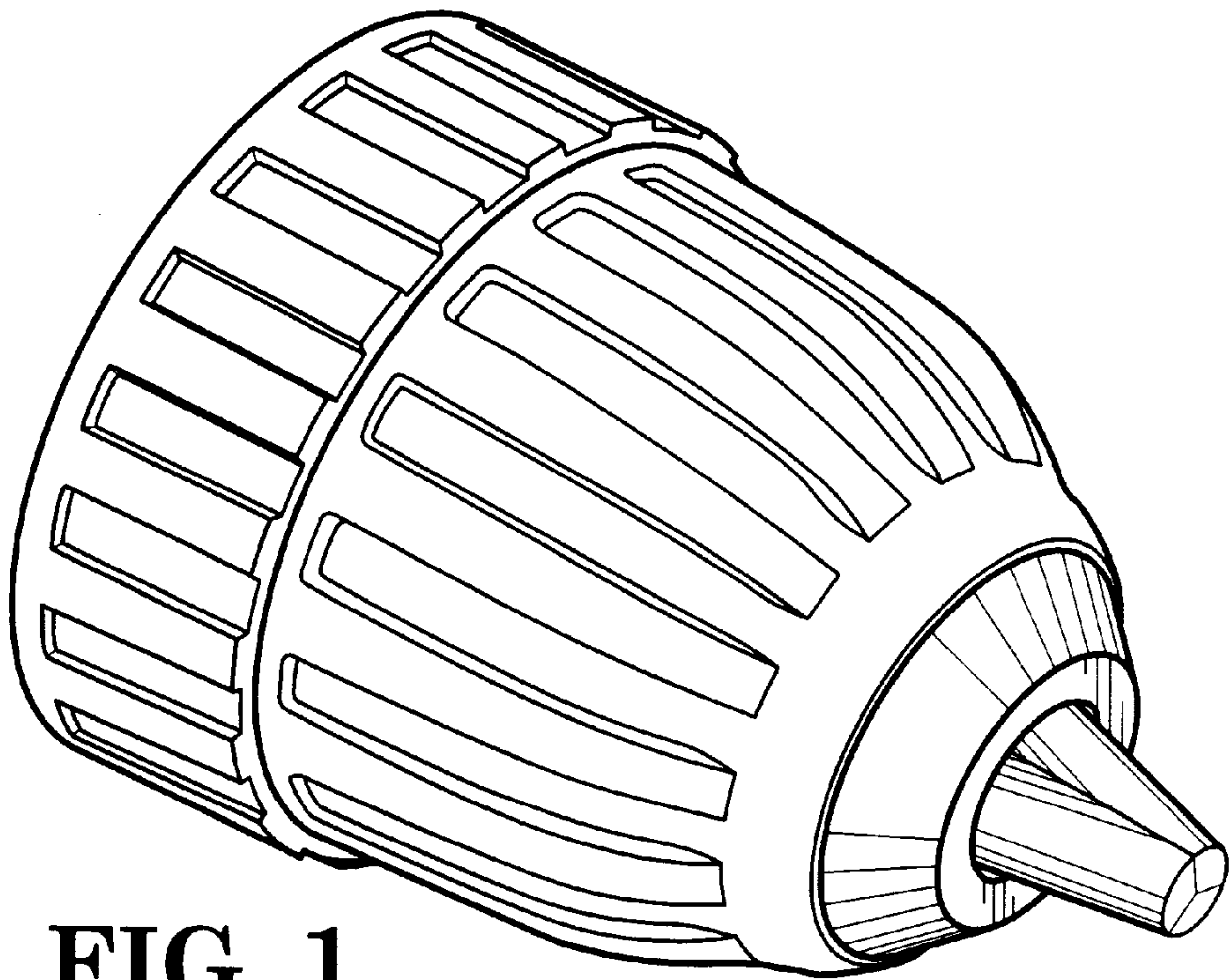


FIG. 1

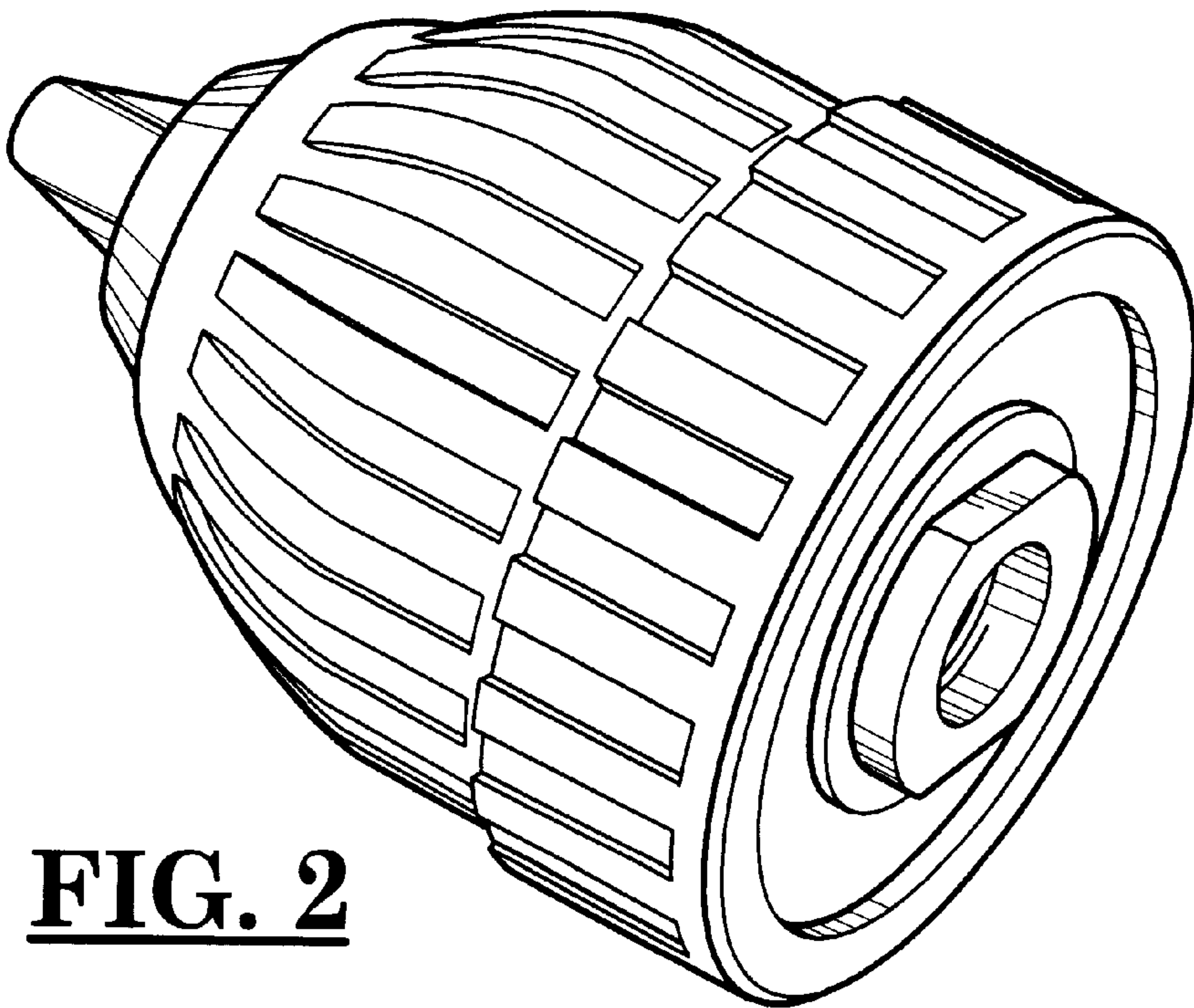


FIG. 2

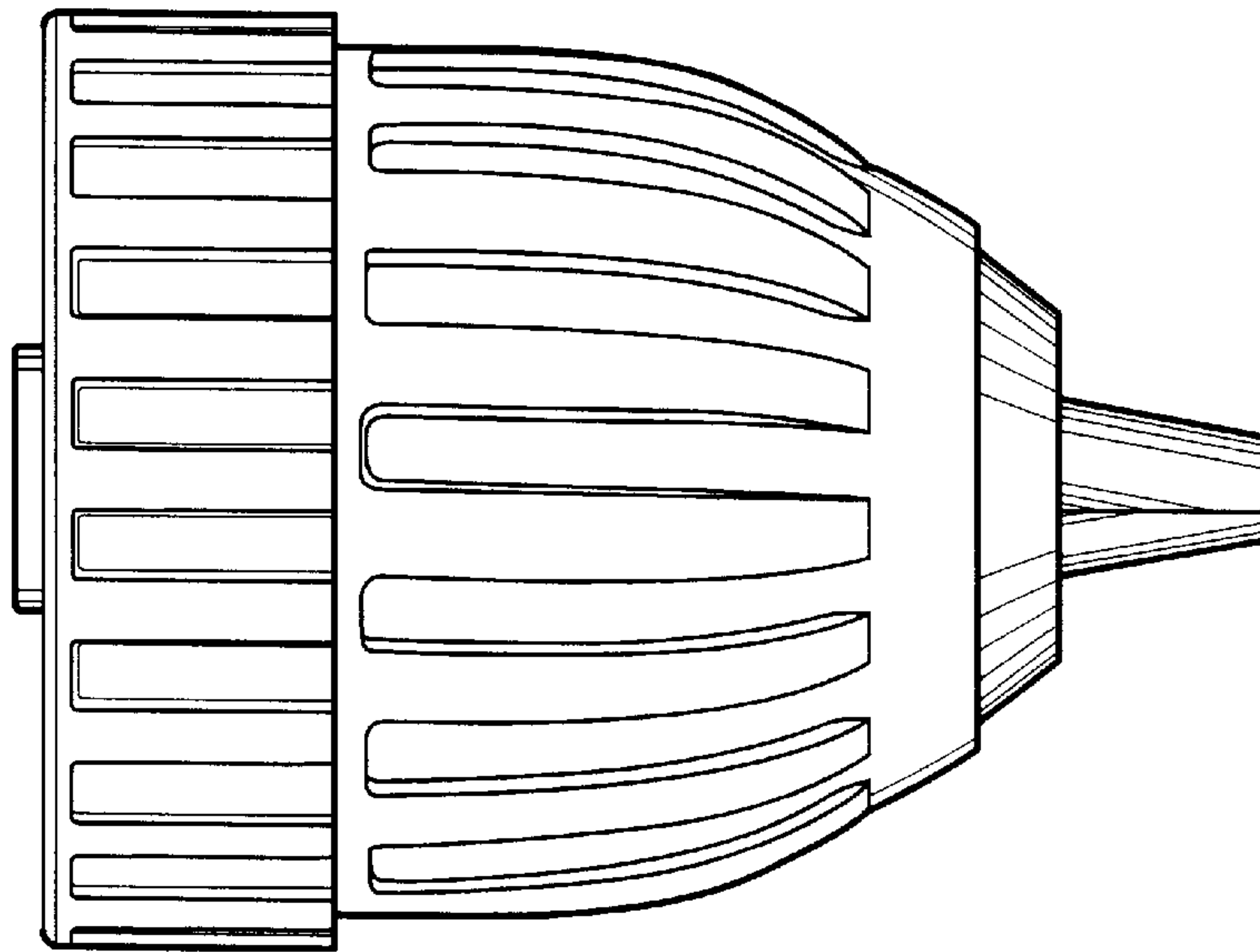


FIG. 3

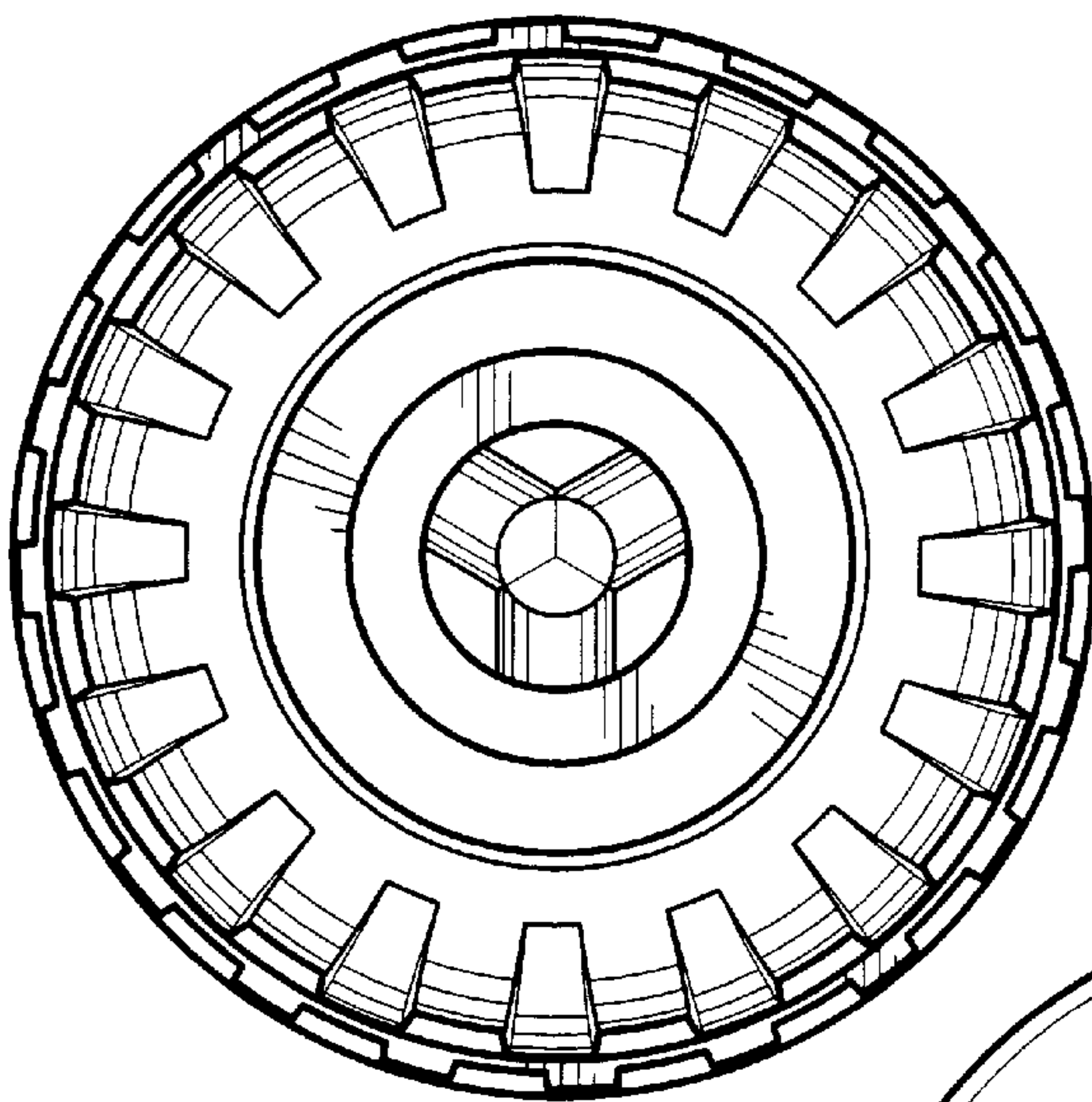


FIG. 4

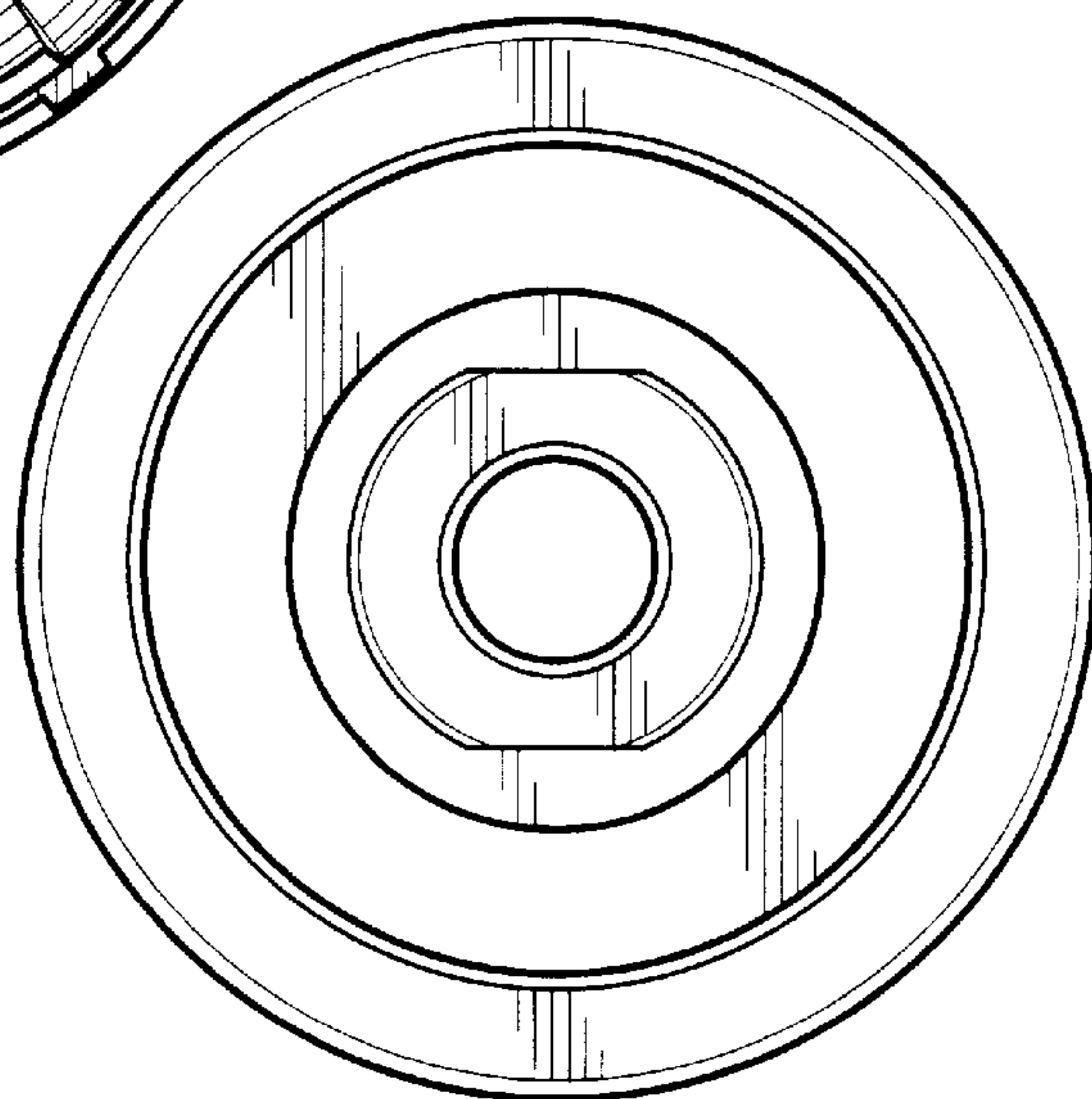


FIG. 5