



US00D474386S

(12) **United States Design Patent**  
**Arai**

(10) **Patent No.:** **US D474,386 S**

(45) **Date of Patent:** **\*\* May 13, 2003**

(54) **PNEUMATIC NAILING MACHINE**

(75) **Inventor:** **Masakazu Arai, Tokyo (JP)**

(73) **Assignee:** **Max Co., Ltd., Tokyo (JP)**

(\*\*) **Term:** **14 Years**

D403,938 S \* 1/1999 Matsuoka et al. .... D8/68  
D435,205 S \* 12/2000 Etter et al. .... D8/68  
D435,769 S \* 1/2001 Etter et al. .... D8/68  
D435,770 S \* 1/2001 Arai ..... D8/68  
D438,079 S \* 2/2001 Hattori ..... D8/69  
6,296,167 B1 \* 10/2001 Jen ..... 227/136

**FOREIGN PATENT DOCUMENTS**

(21) **Appl. No.:** **29/150,707**

JP 1052764 S 10/1999

(22) **Filed:** **Nov. 29, 2001**

\* cited by examiner

(51) **LOC (7) Cl.** ..... **08-05**

*Primary Examiner*—Doris V. Coles

(52) **U.S. Cl.** ..... **D8/68; D8/69**

*Assistant Examiner*—T. Chase Nelson

(58) **Field of Search** ..... D8/61, 62, 63,  
D8/64, 65, 66, 67, 68, 69, 70; 81/57.11,  
429, 464, 465, 466, 469, 489; 173/13, 169,  
178, 213, 217; 227/8, 114, 120, 130, 136,  
142; 310/50; 408/20, 124, 125, 234, 241 R;  
451/358

(74) *Attorney, Agent, or Firm*—Morgan, Lewis & Bockius  
LLP

(57) **CLAIM**

The ornamental design for a pneumatic nailing machine, as shown and described.

(56) **References Cited**

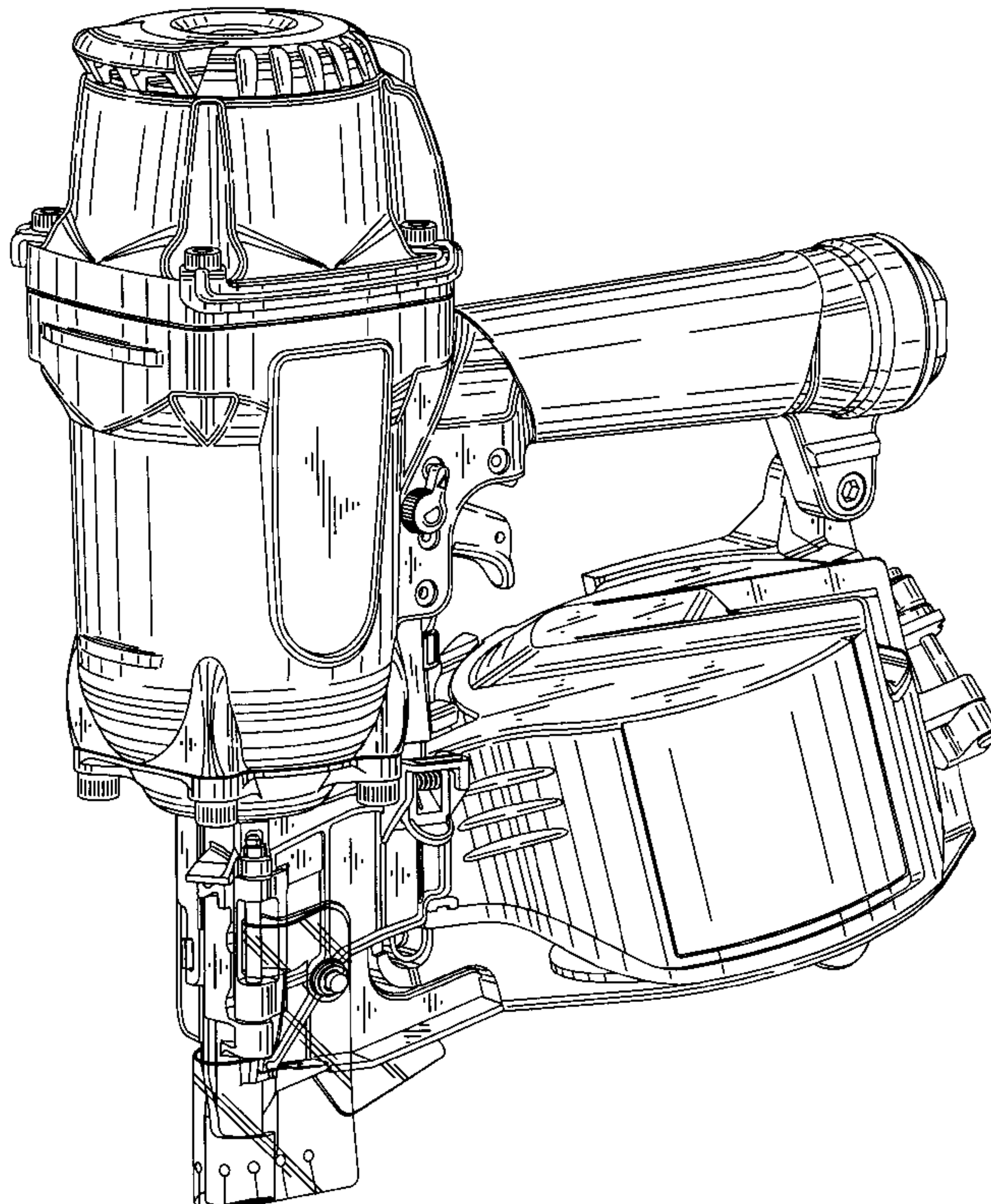
**DESCRIPTION**

**U.S. PATENT DOCUMENTS**

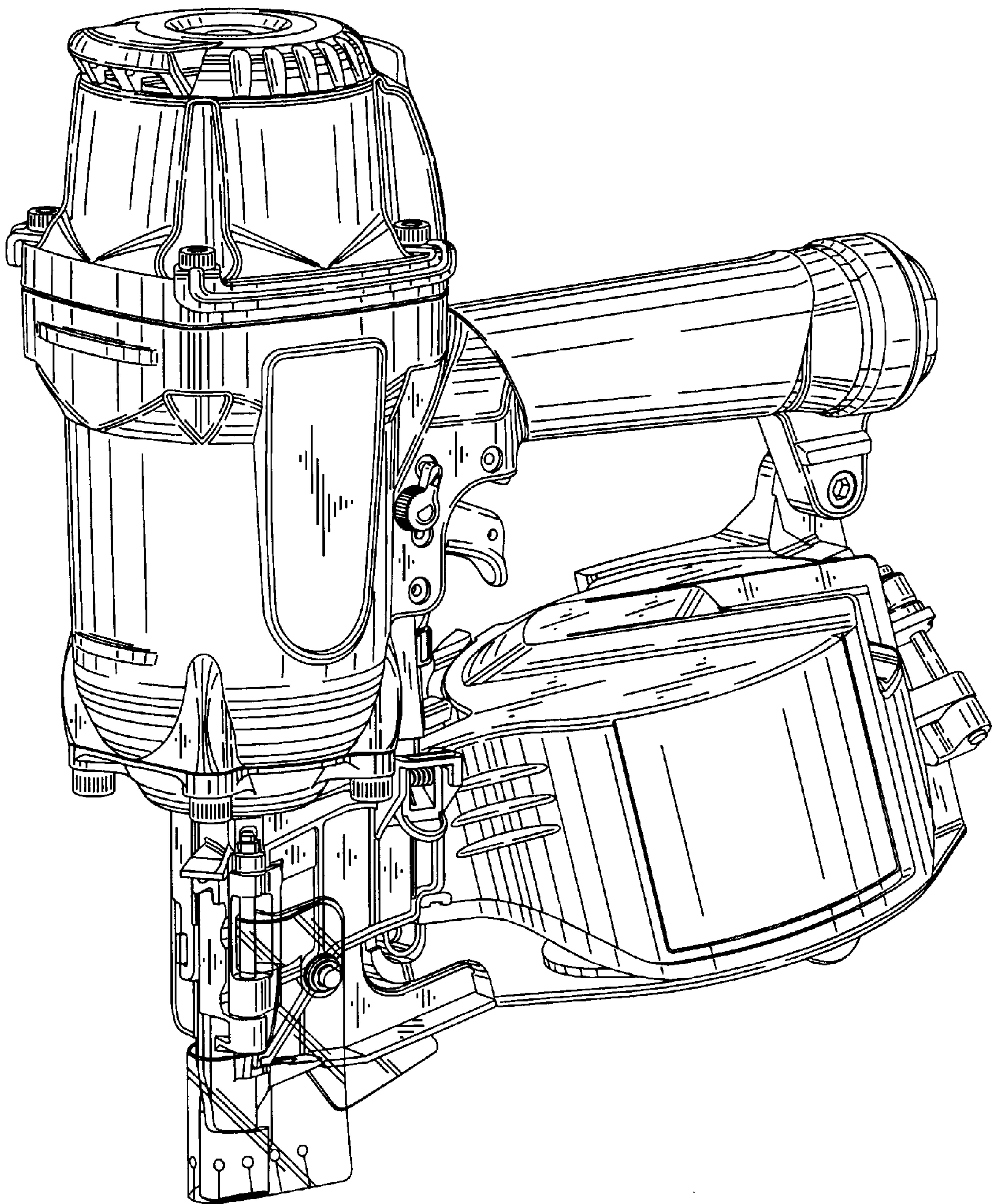
D334,329 S \* 3/1993 Ogawa et al. .... D8/68  
D338,606 S \* 8/1993 Oda ..... D8/69  
D358,749 S \* 5/1995 Matsunaga et al. .... D8/69  
D377,592 S \* 1/1997 Hattori ..... D8/69  
D379,912 S \* 6/1997 Burke et al. .... D8/68  
D387,260 S \* 12/1997 Hattori ..... D8/69  
5,720,422 A \* 2/1998 Ichikawa et al. .... 227/120  
D392,170 S \* 3/1998 Hattori ..... D8/68  
5,842,625 A \* 12/1998 Kimura ..... 227/130

FIG. 1 is a perspective view of the top, front and left side of a pneumatic nailing machine showing my new design;  
FIG. 2 is a front view thereof;  
FIG. 3 is a rear view thereof;  
FIG. 4 is a top plan view thereof;  
FIG. 5 is a bottom view thereof;  
FIG. 6 is a right side view thereof; and,  
FIG. 7 is a left side view thereof.

**1 Claim, 5 Drawing Sheets**



*FIG. 1*



*FIG. 2*

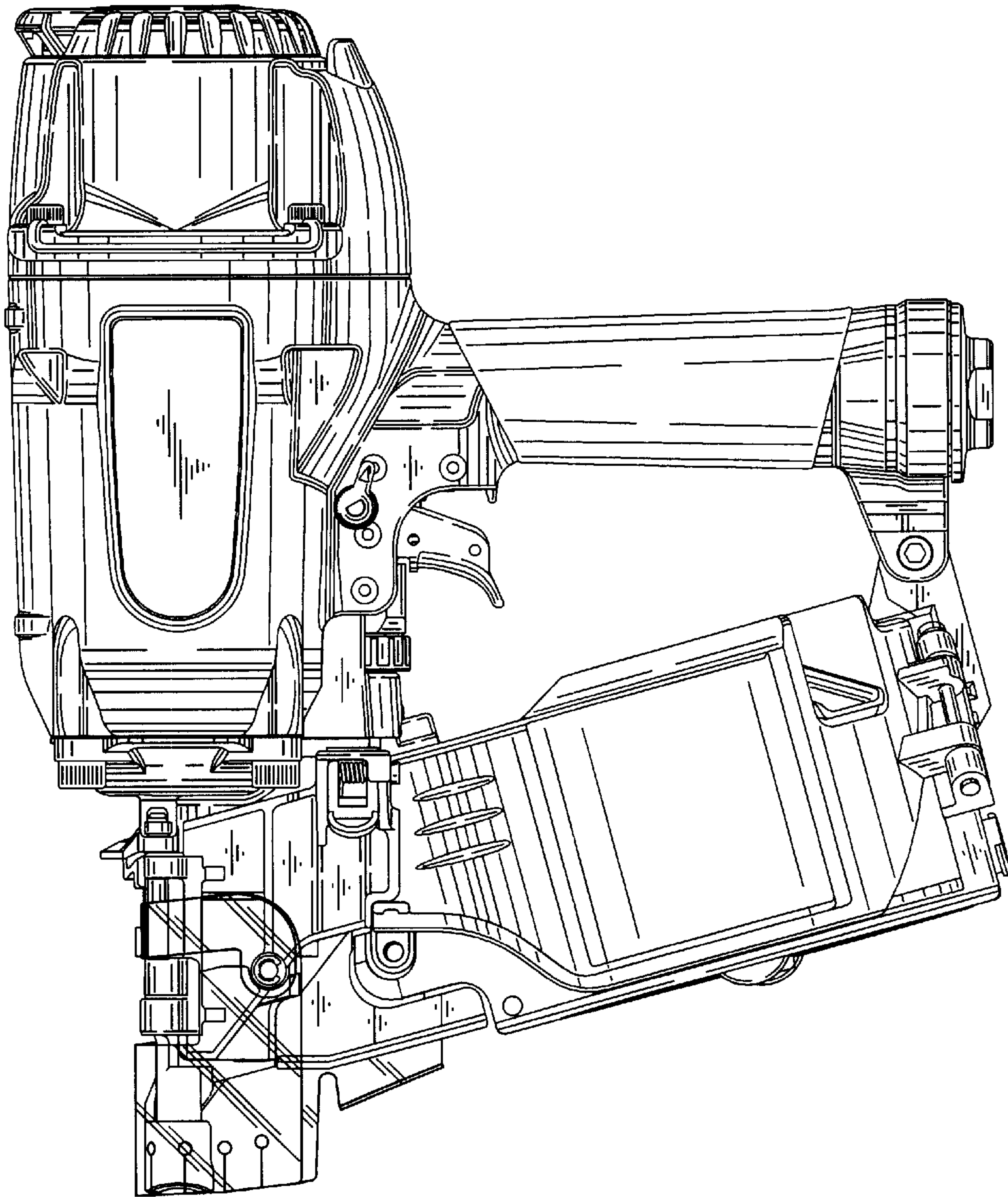
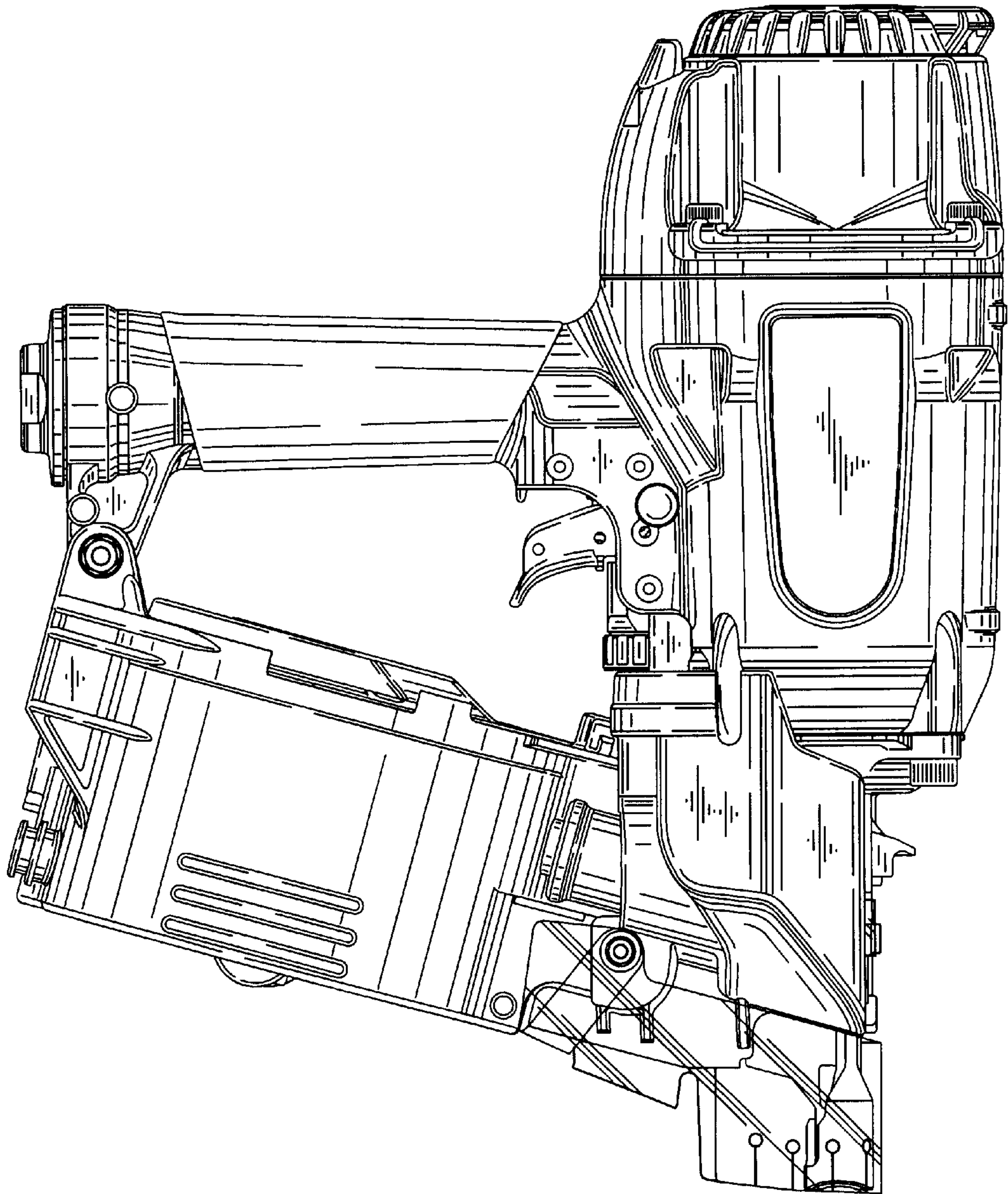
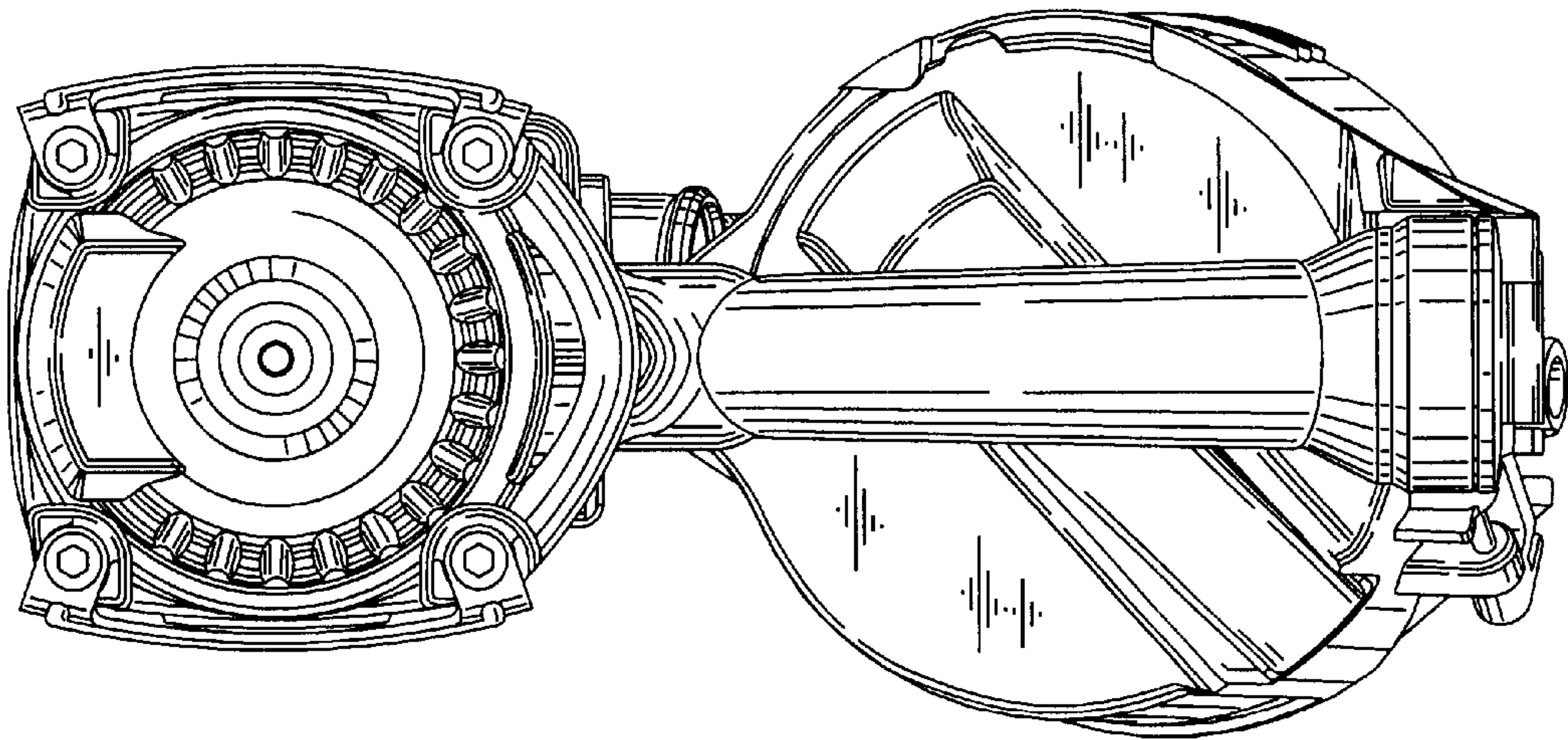




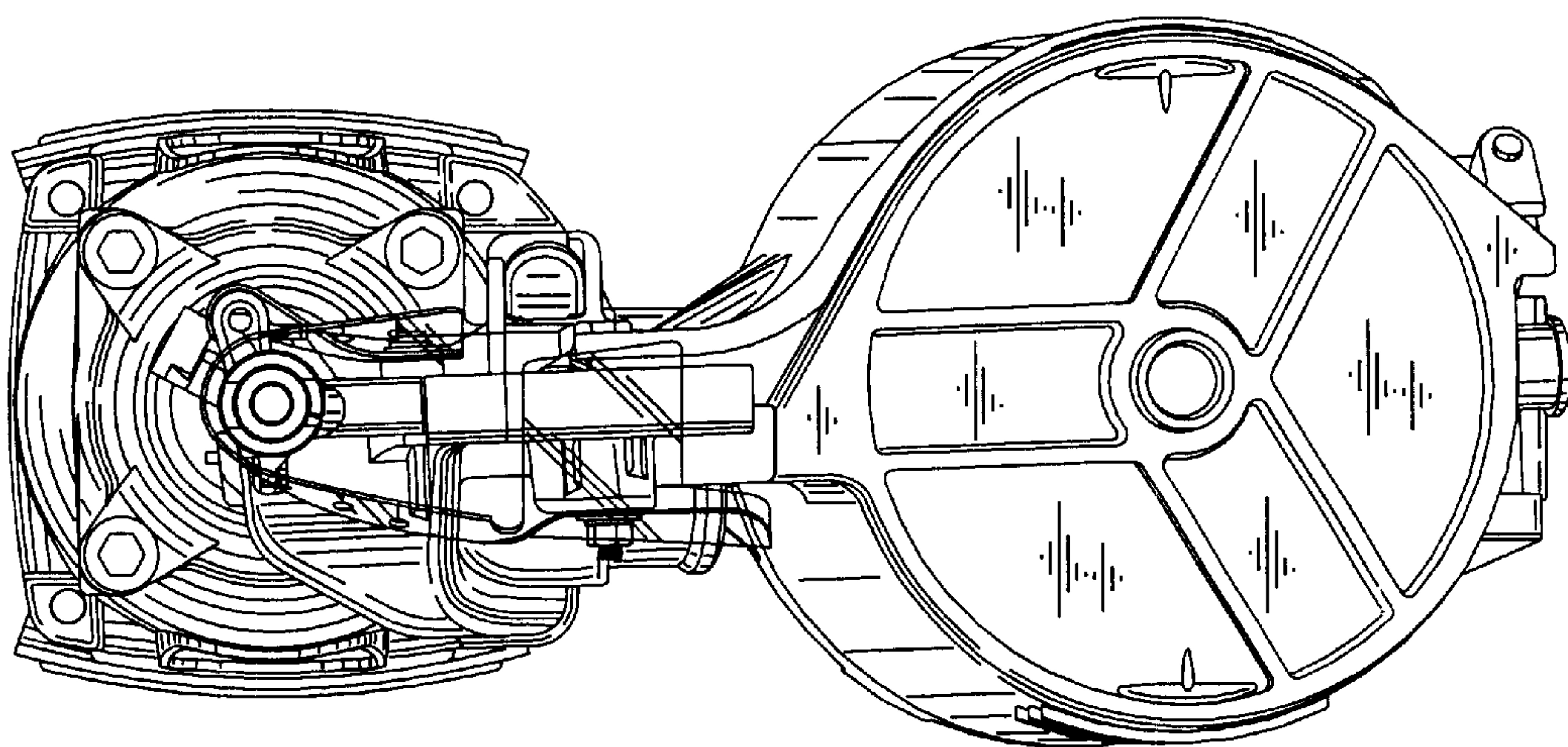
FIG. 3



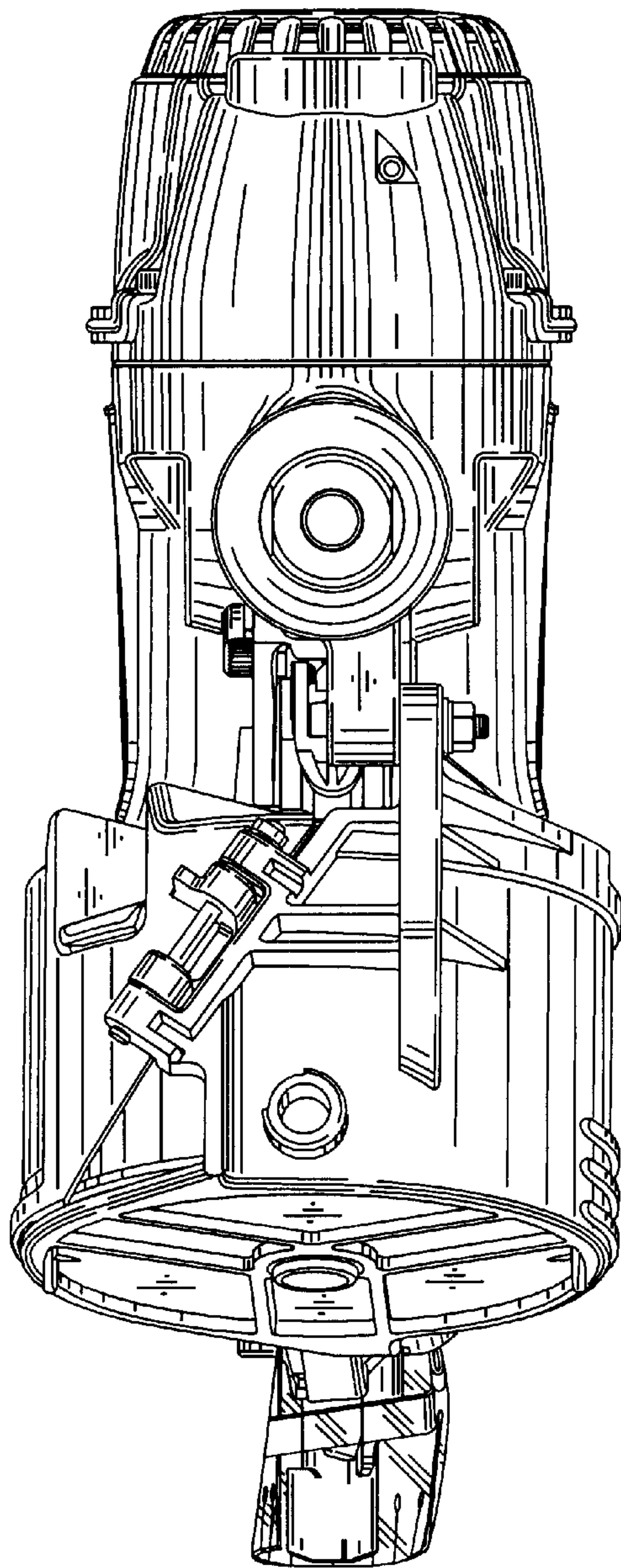
*FIG. 4*



*FIG. 5*



*FIG. 6*



*FIG. 7*

