



US00D474382S

(12) **United States Design Patent**
Tsai

(10) **Patent No.:** **US D474,382 S**

(45) **Date of Patent:** **** May 13, 2003**

- (54) **SLEEVE**
- (75) Inventor: **Shin-Shun Tsai**, Taichung (TW)
- (73) Assignee: **Liu Hung Industries Co., Ltd.**,
Taichung (TW)
- (**) Term: **14 Years**
- (21) Appl. No.: **29/166,201**
- (22) Filed: **Aug. 26, 2002**
- (51) **LOC (7) Cl.** **08-05**
- (52) **U.S. Cl.** **D8/29**
- (58) **Field of Search** D8/21, 28, 29,
D8/397; 81/119, 120, 121.1, 123, 124.1,
125, 124.2, 124.6, 185, 486, 177.85

- 4,867,017 A * 9/1989 Holman 81/120
- 5,079,978 A * 1/1992 Kupfer 81/119
- D359,669 S * 6/1995 Splingaire D8/29
- 6,397,706 B1 * 6/2002 Maznicki 81/185

* cited by examiner

Primary Examiner—Raphael Barkai

(74) *Attorney, Agent, or Firm*—Charles E. Baxley

(57) **CLAIM**

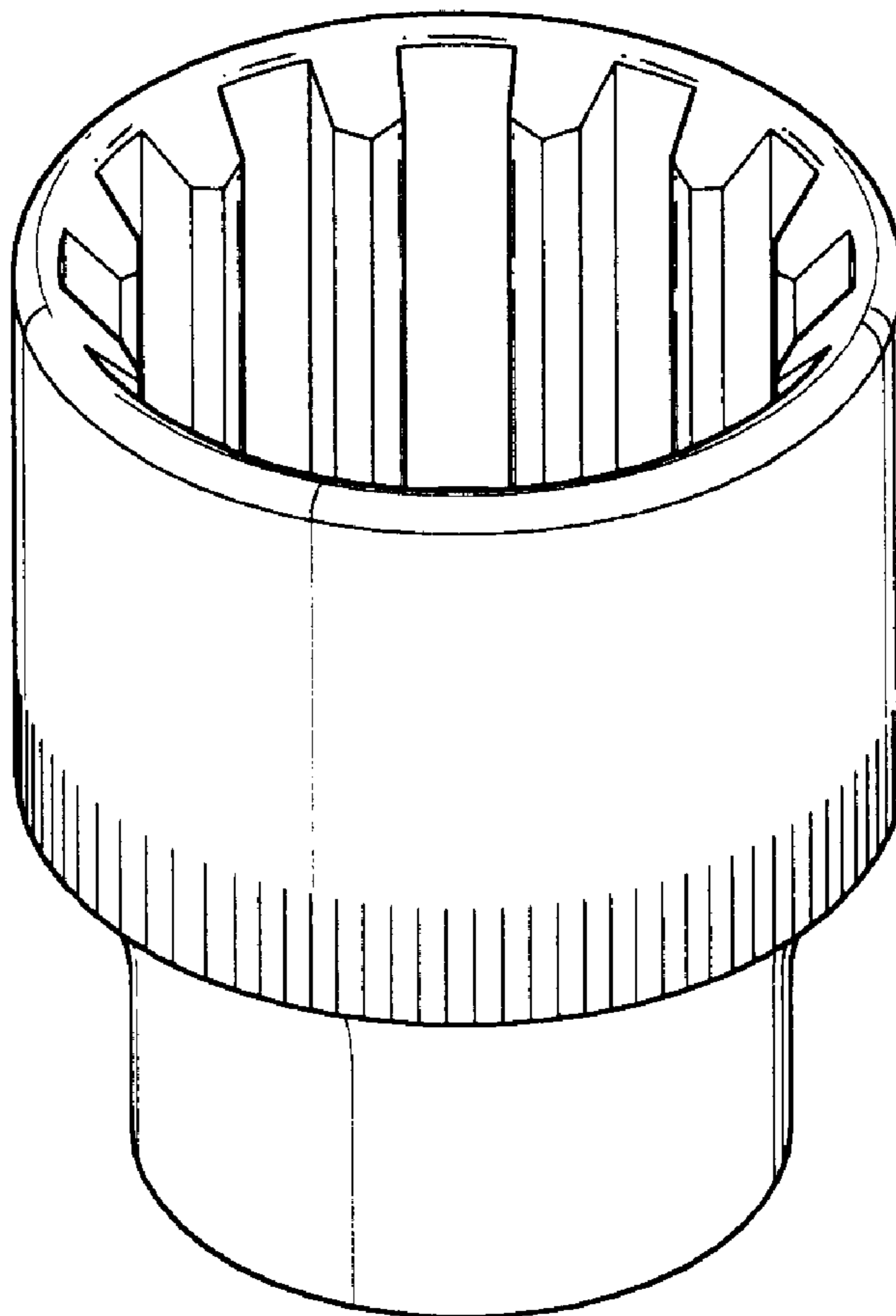
The ornamental design for a sleeve, as shown and described.

DESCRIPTION

FIG. 1 is a perspective view of a sleeve showing my new design;
 FIG. 2 is a front elevational view thereof;
 FIG. 3 is a rear elevational view thereof,
 FIG. 4 is a left side elevational view thereof,
 FIG. 5 is a right side elevational view thereof,
 FIG. 6 is a top plan view thereof; and,
 FIG. 7 is a bottom plan view to that shown.

- (56) **References Cited**
 U.S. PATENT DOCUMENTS
 3,495,485 A * 2/1970 Knudsen et al. 81/124.6
 4,583,694 A * 4/1986 Williams et al. 81/121.1

1 Claim, 6 Drawing Sheets



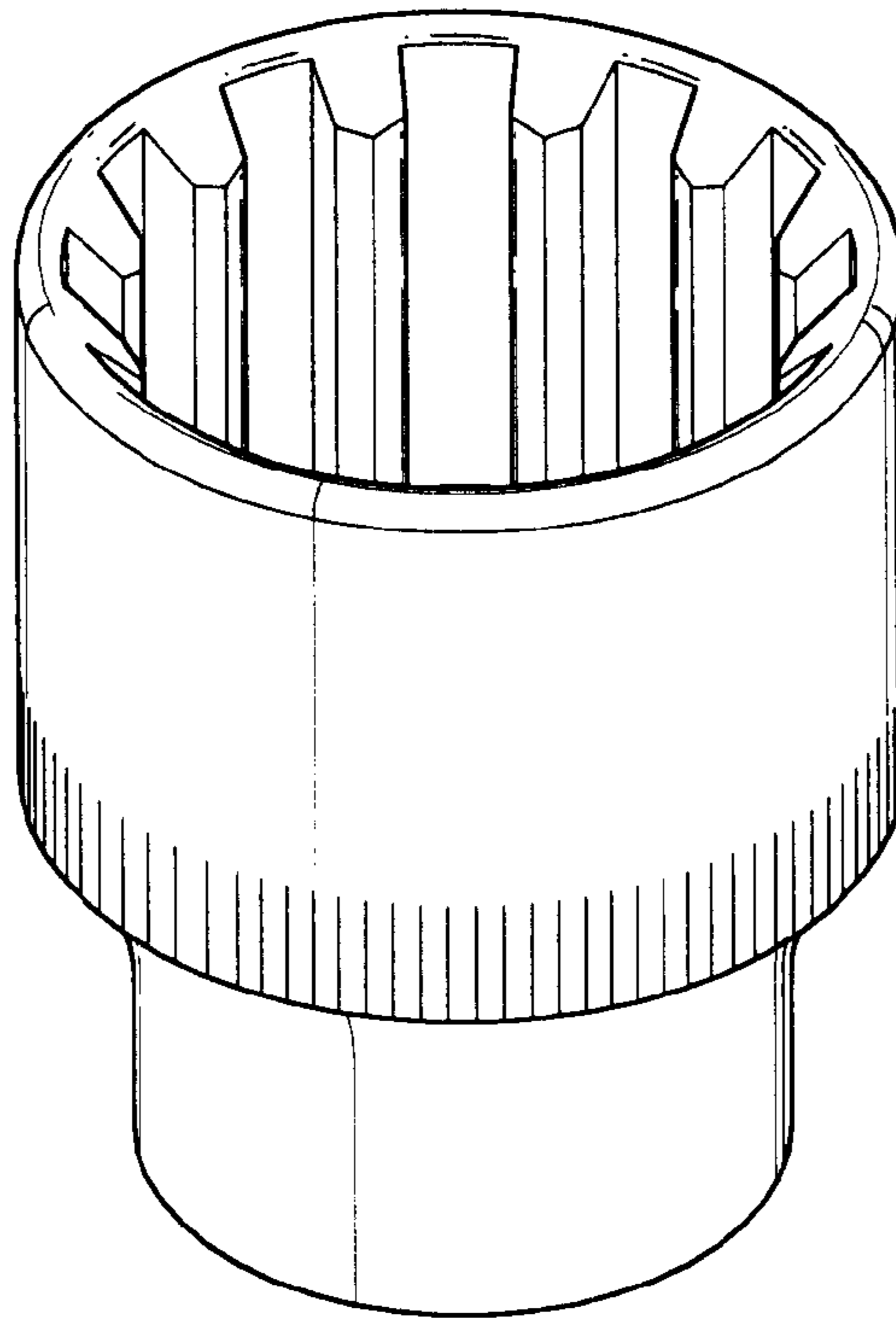


FIG. 1

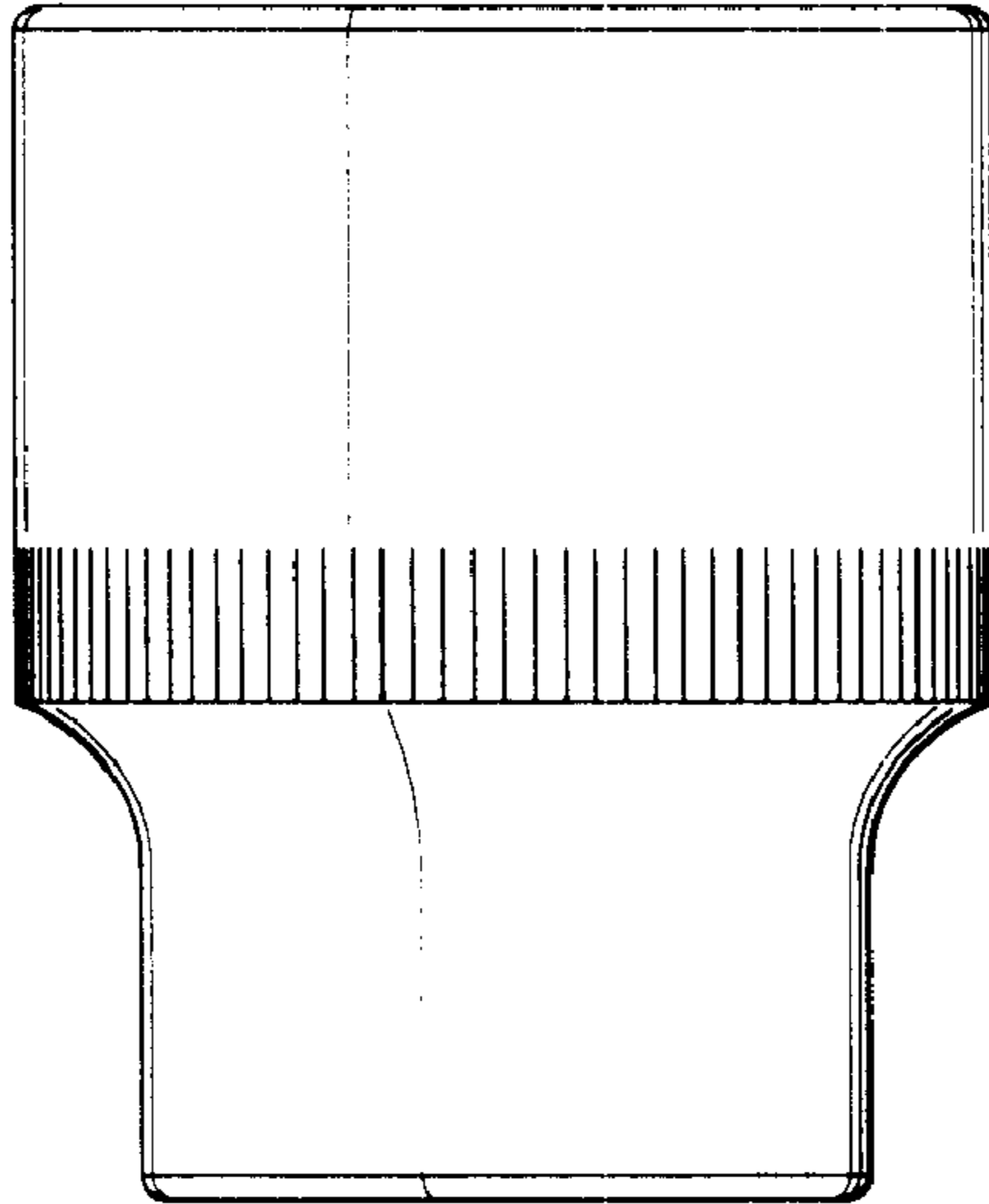


FIG. 2

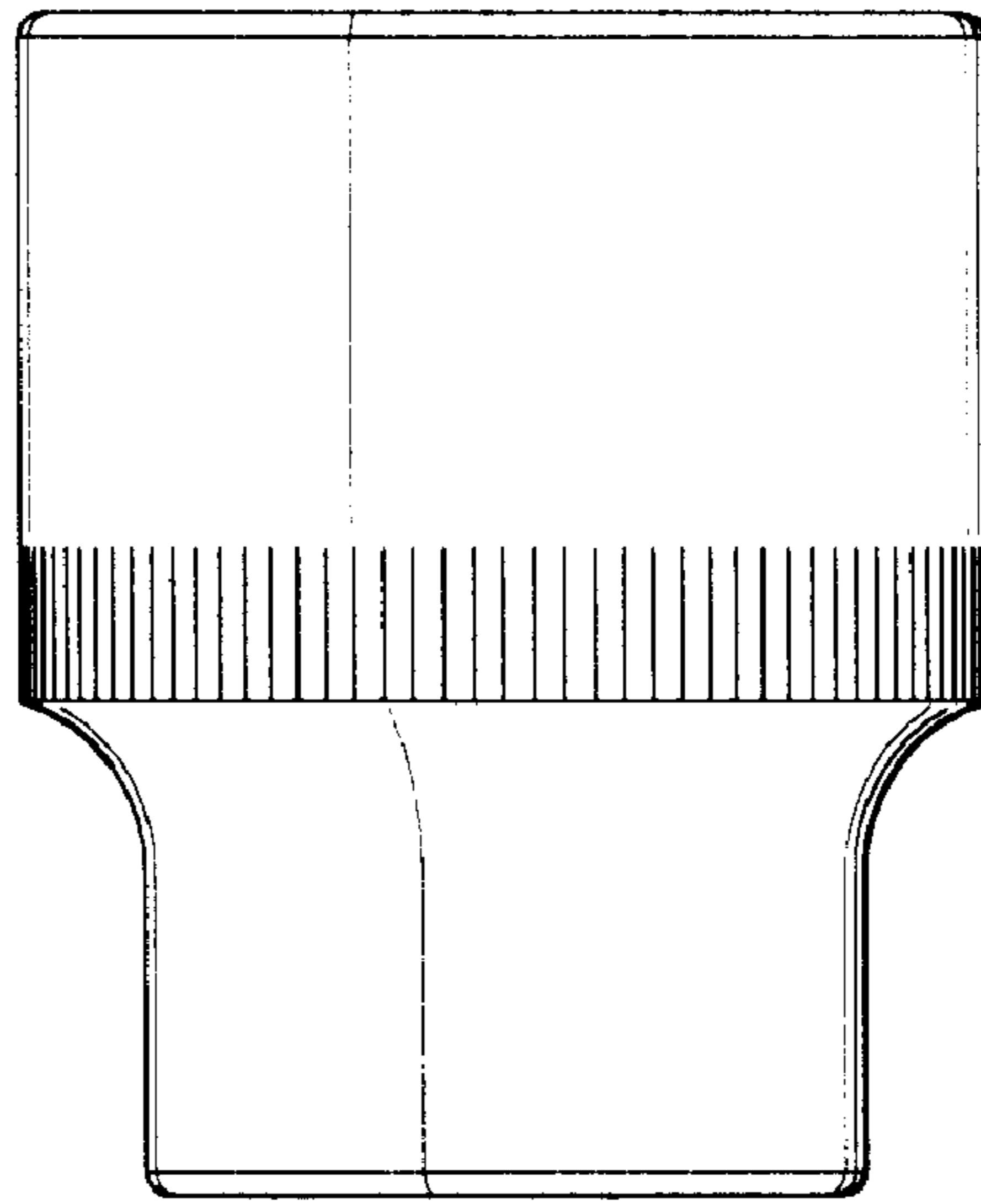


FIG. 3

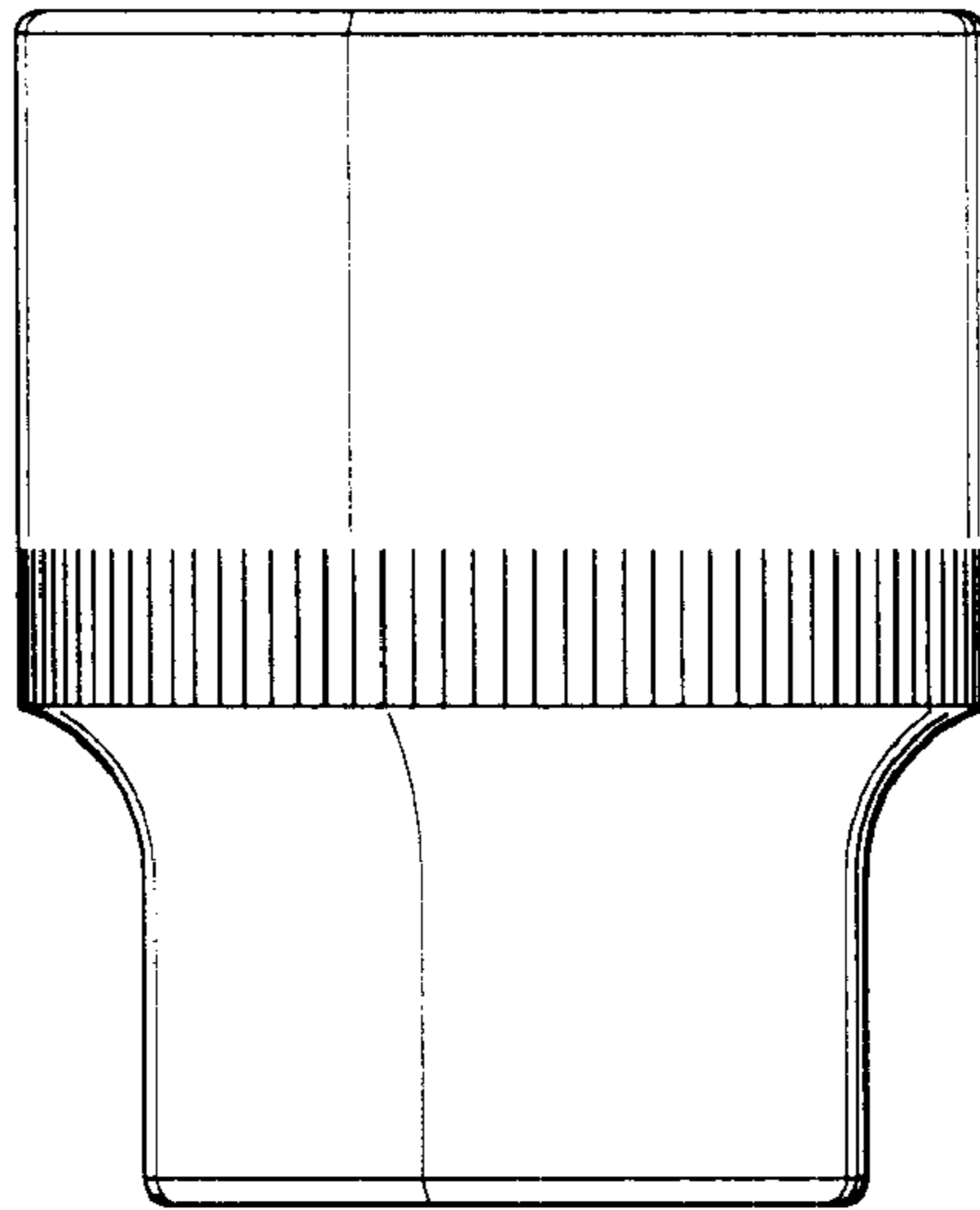


FIG. 4

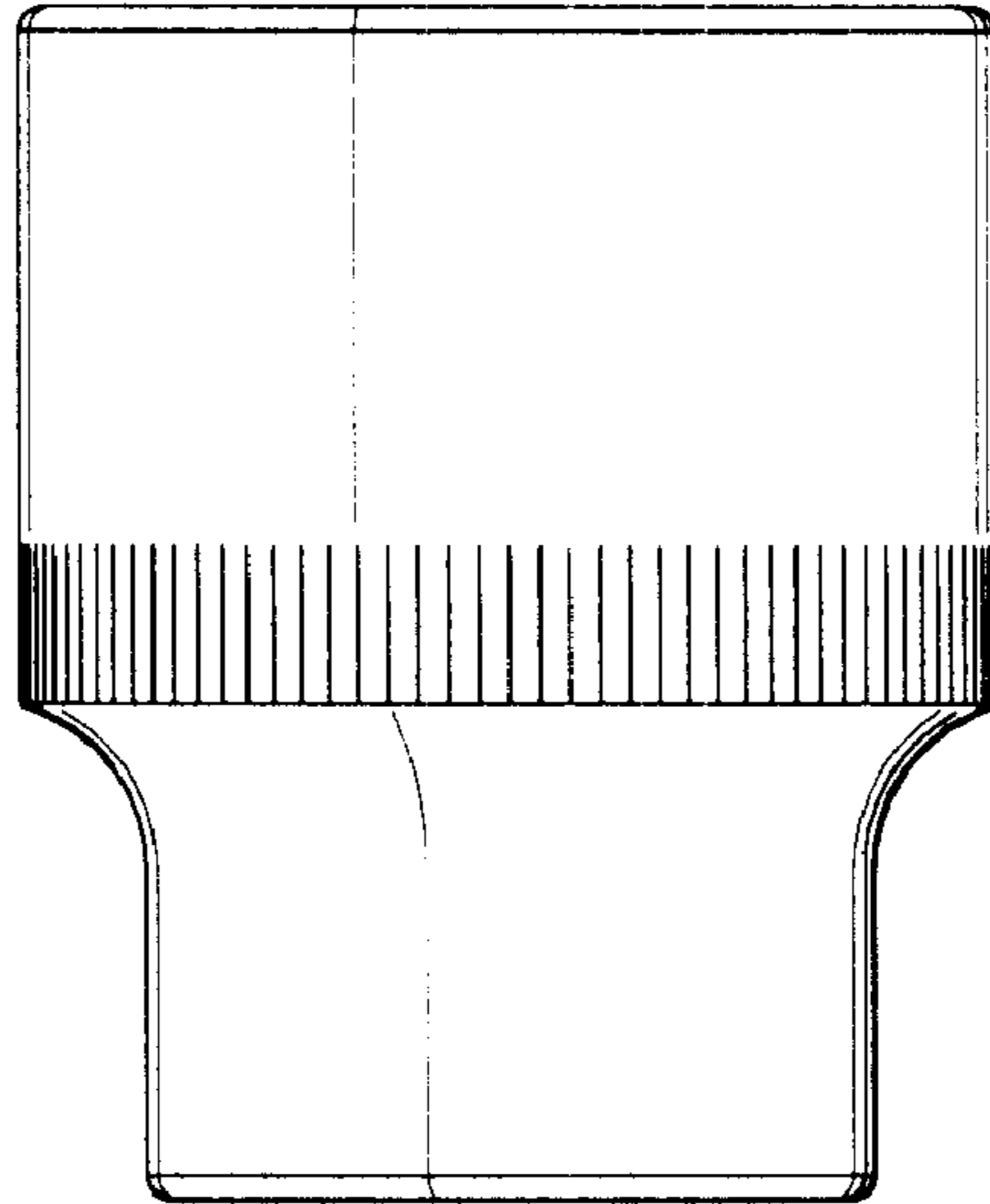


FIG. 5

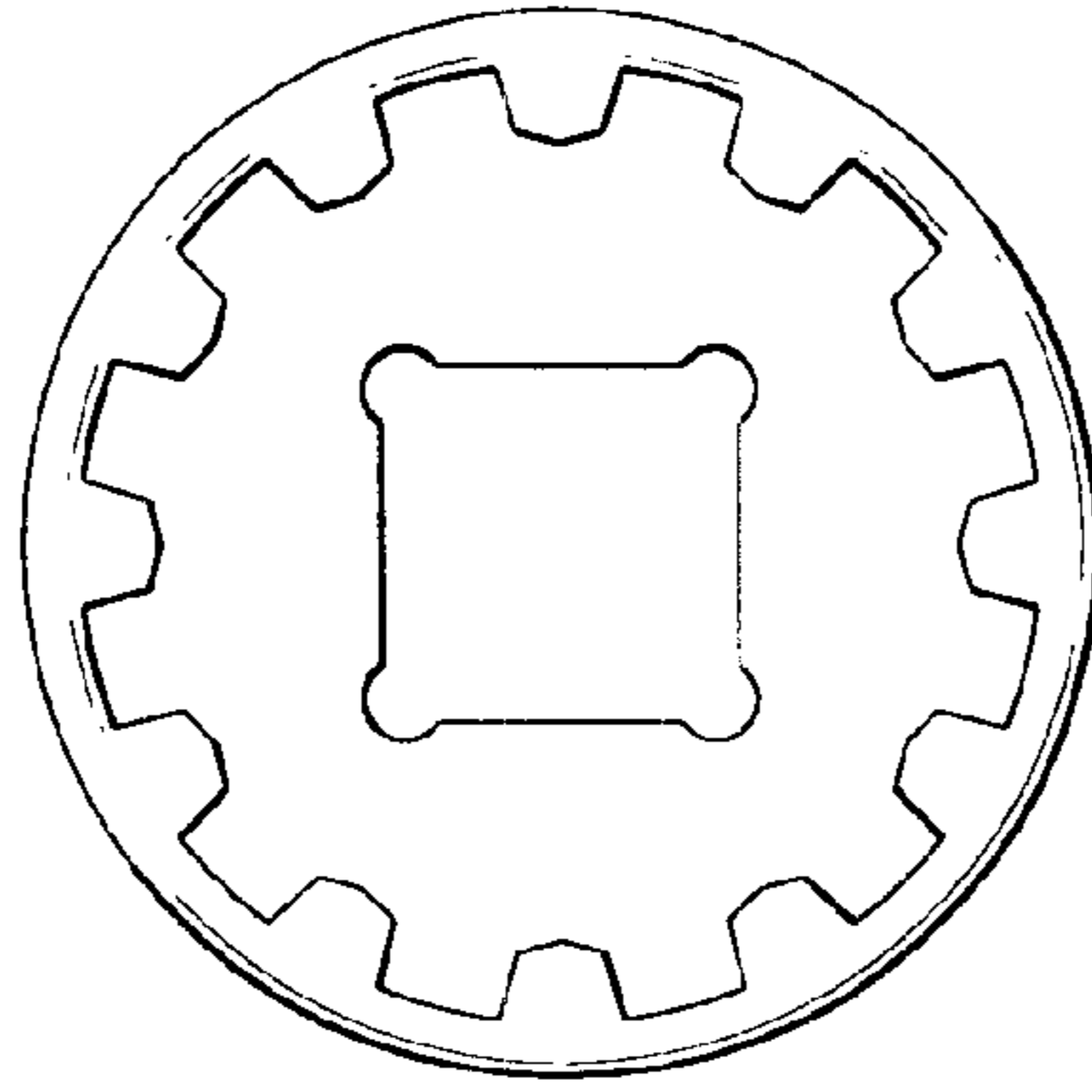


FIG. 6

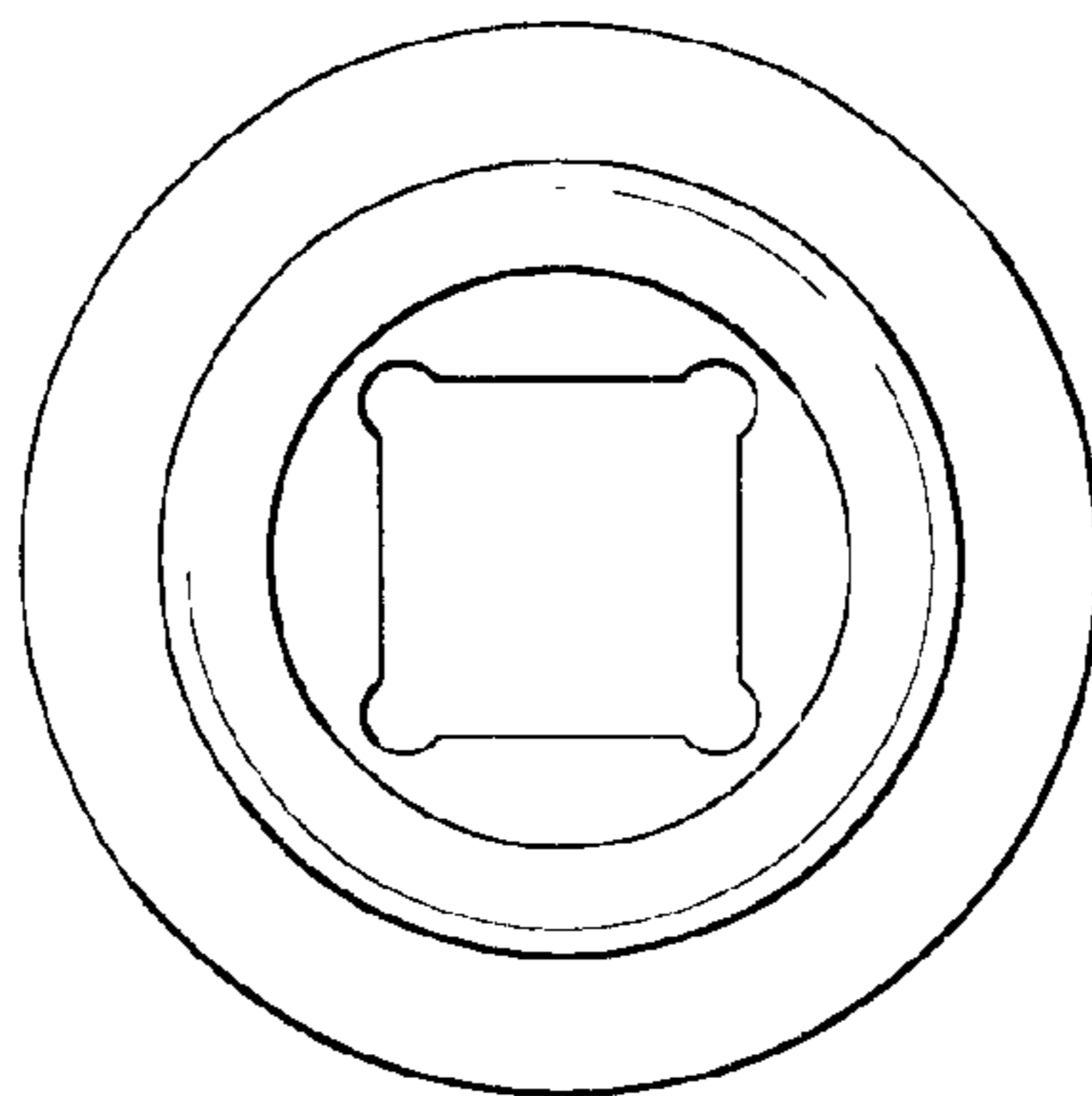


FIG. 7