



US00D474380S

(12) **United States Design Patent**
Chartier et al.

(10) **Patent No.:** **US D474,380 S**

(45) **Date of Patent:** **** May 13, 2003**

(54) **PIPE WRENCH**

(75) Inventors: **Glen R. Chartier**, Avon Lake, OH (US); **David L. Machovina**, Elyria, OH (US); **Chris W. Mandell**, Westlake, OH (US)

(73) Assignee: **Emerson Electric Co.**, St. Louis, MO (US)

(**) Term: **14 Years**

(21) Appl. No.: **29/160,544**

(22) Filed: **May 10, 2002**

(51) **LOC (7) Cl.** **08-05**

(52) **U.S. Cl.** **D8/23**

(58) **Field of Search** D8/21-29, 17;
81/99, 98

(56) **References Cited**

U.S. PATENT DOCUMENTS

1,445,211	A	*	2/1923	Gore	81/99
2,028,406	A		1/1936	Mead		
2,559,973	A		7/1951	Kunz		
D164,505	S	*	9/1951	Larson	D8/23
2,742,808	A	*	4/1956	Haberle	81/99
D184,451	S	*	2/1959	Mullin	D8/23
2,875,659	A	*	3/1959	Haberle	81/99
5,251,518	A	*	10/1993	Woo	81/99

FOREIGN PATENT DOCUMENTS

WO WO 01/19570 A1 3/2001

OTHER PUBLICATIONS

Photocopy #1—Undated photocopy of a pipe wrench commercially available prior to 2000.

Photocopy #2—Undated photocopy of the opposite side of the wrench in Photocopy #1.

* cited by examiner

Primary Examiner—Raphael Barkai

(74) *Attorney, Agent, or Firm*—Fay, Sharpe, Fagan, Minnich & McKee

(57) **CLAIM**

The ornamental design for a pipe wrench, as shown and described.

DESCRIPTION

FIG. 1 is a side elevation view of a pipe wrench showing our new design;

FIG. 2 is an elevational view of the opposite side thereof;

FIG. 3 is a top view thereof;

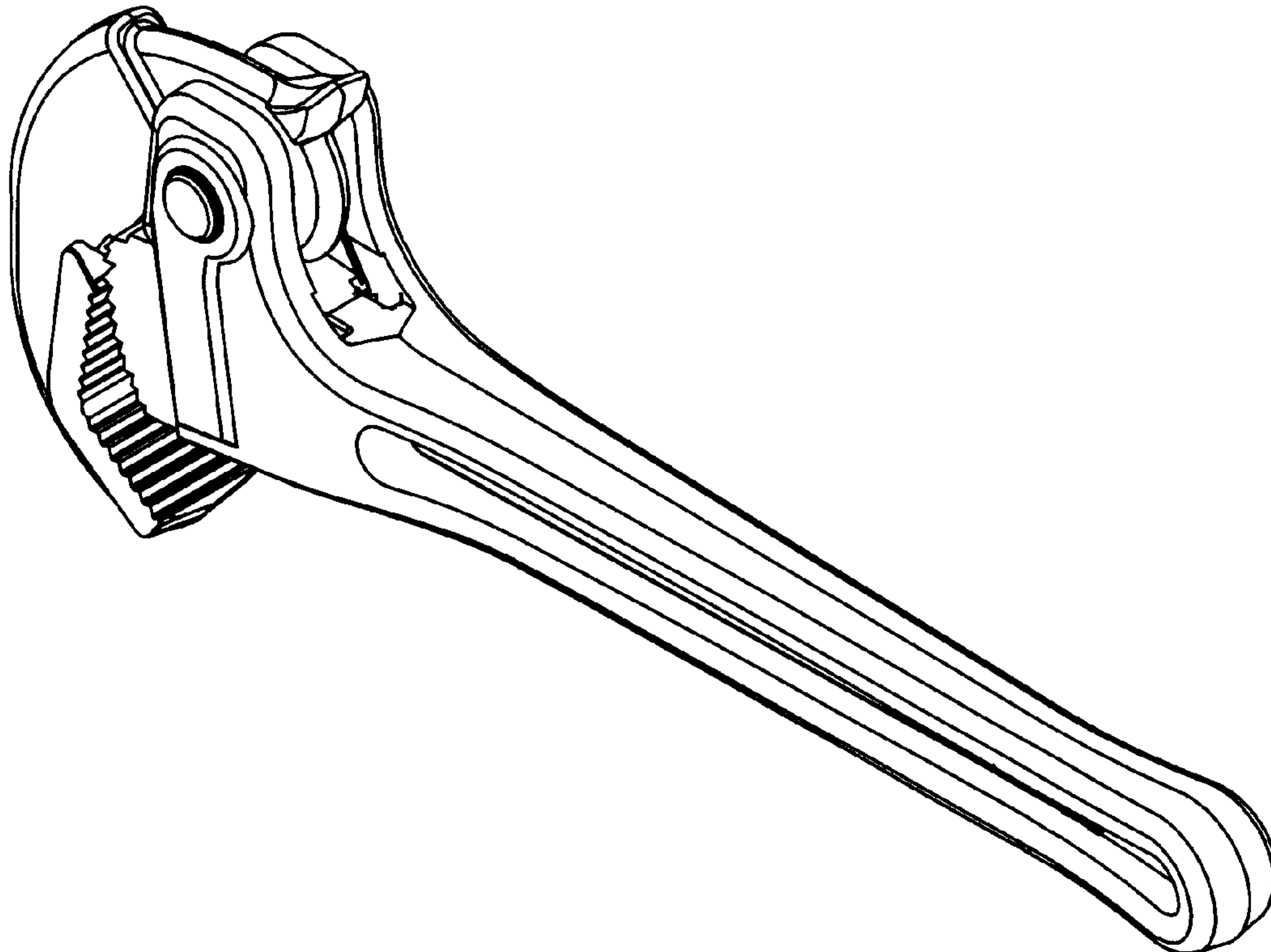
FIG. 4 is a bottom view thereof;

FIG. 5 is a front elevational view thereof;

FIG. 6 is a rear elevation view thereof; and,

FIG. 7 is a perspective view thereof.

1 Claim, 7 Drawing Sheets



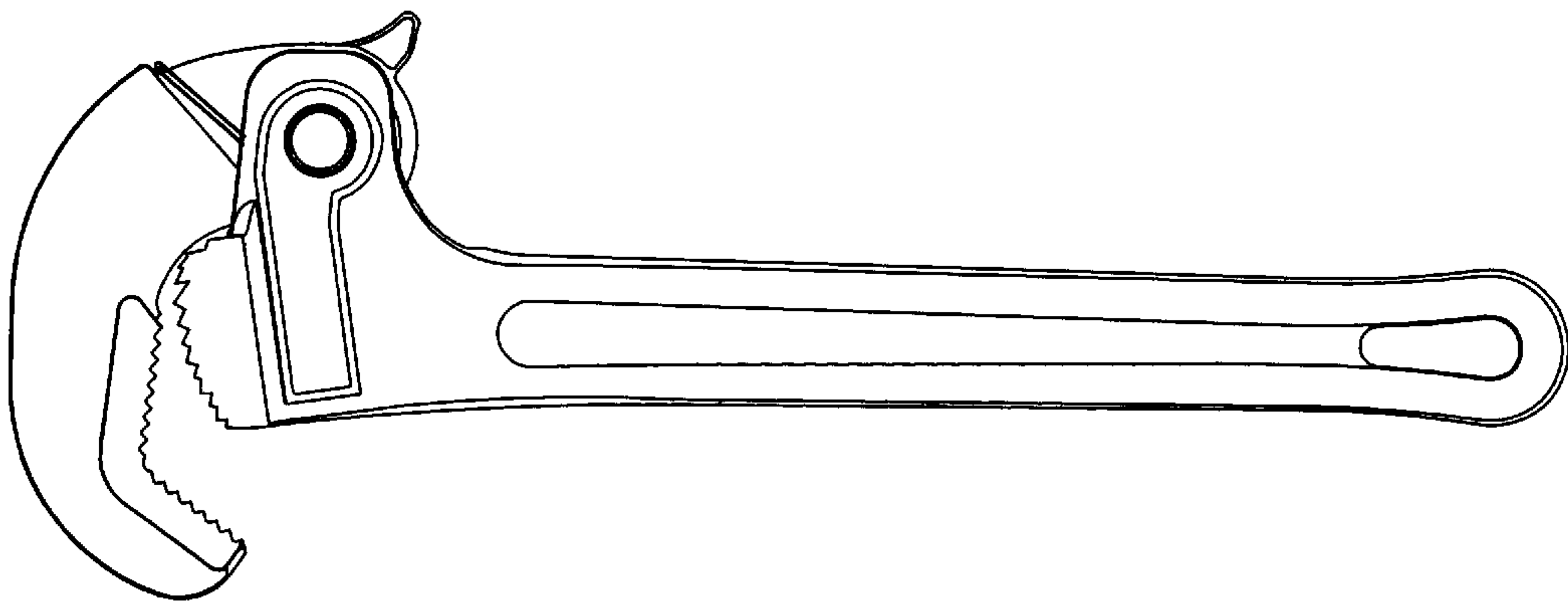


FIG. 1

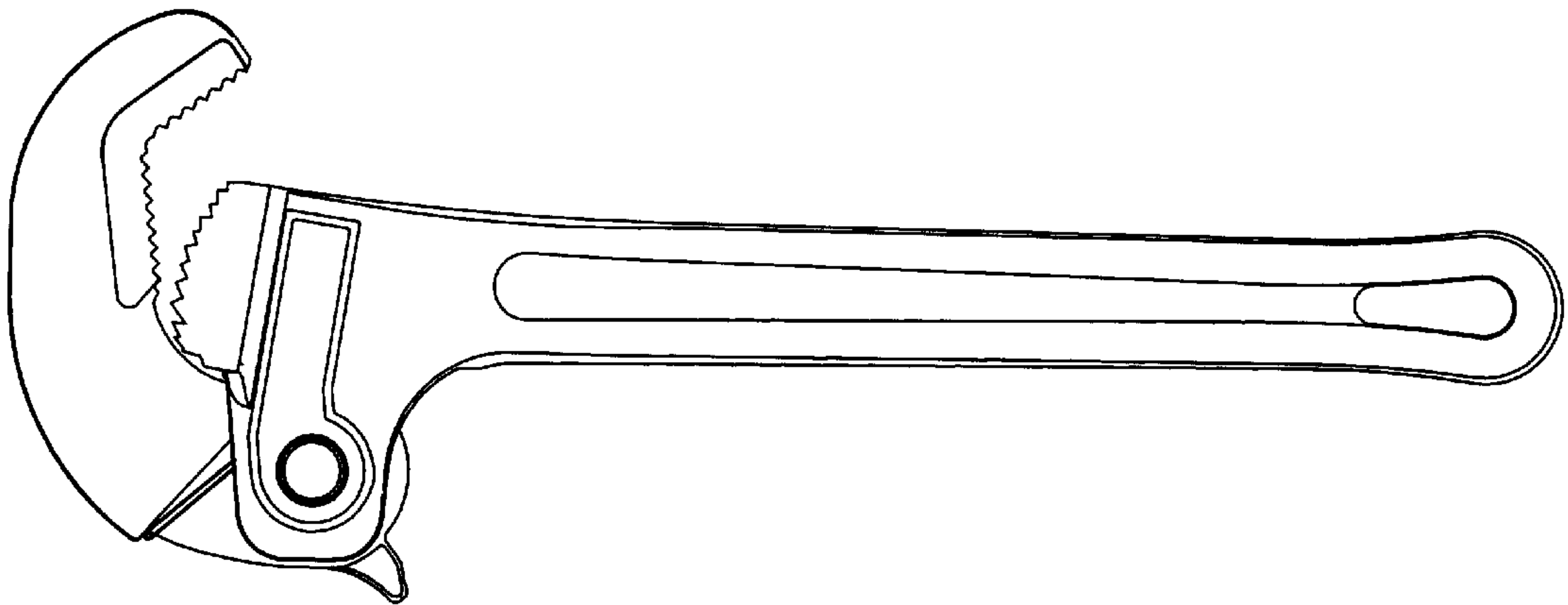


FIG. 2

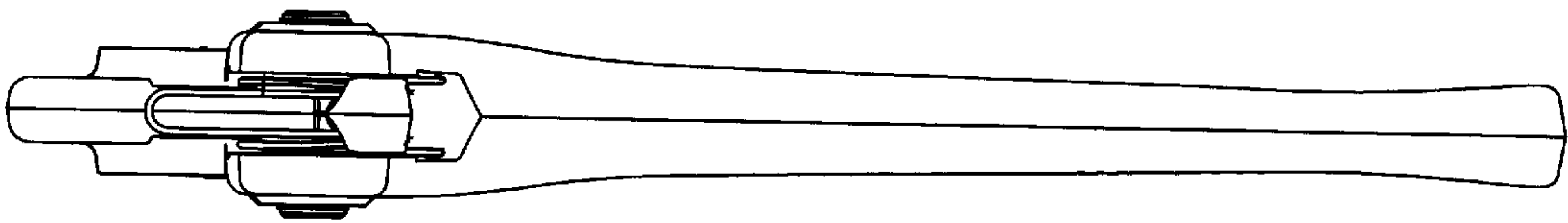


FIG. 3

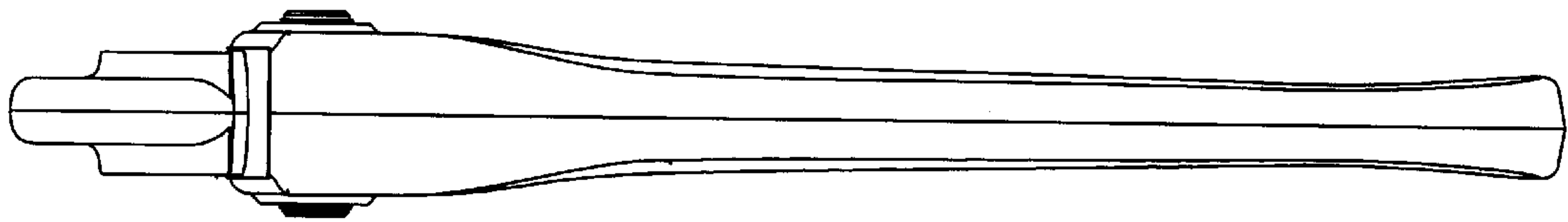


FIG. 4

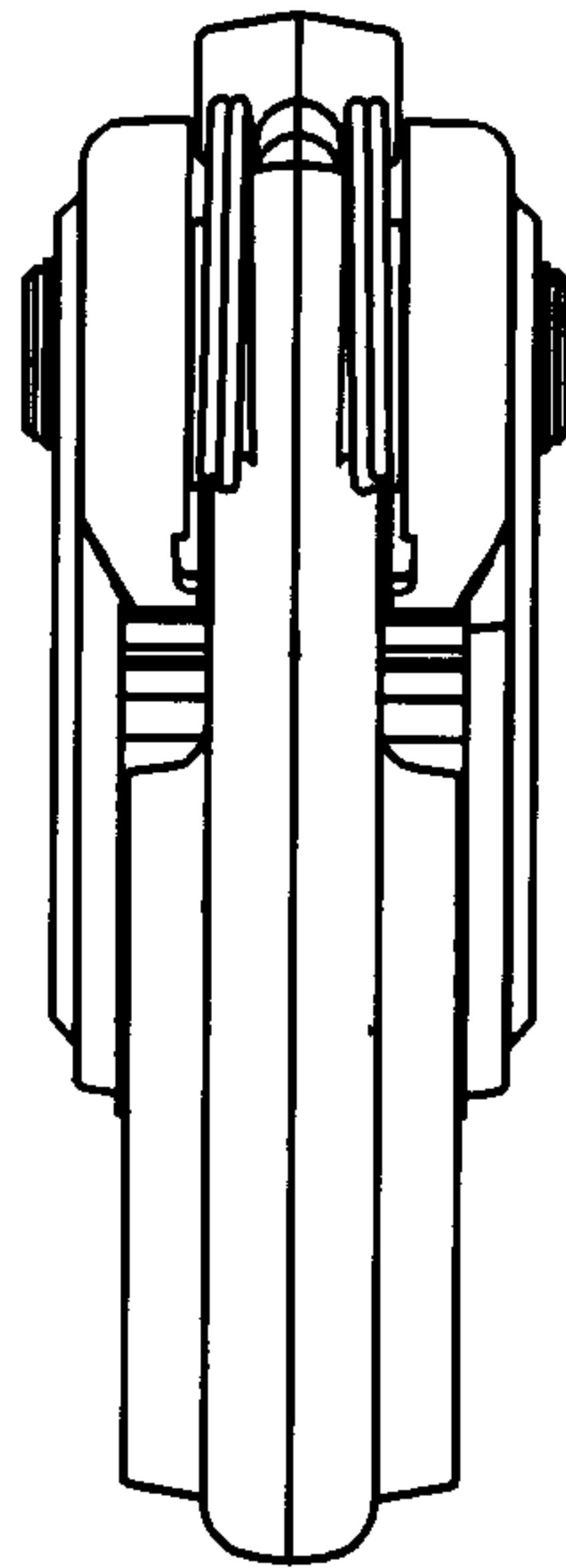


FIG. 5

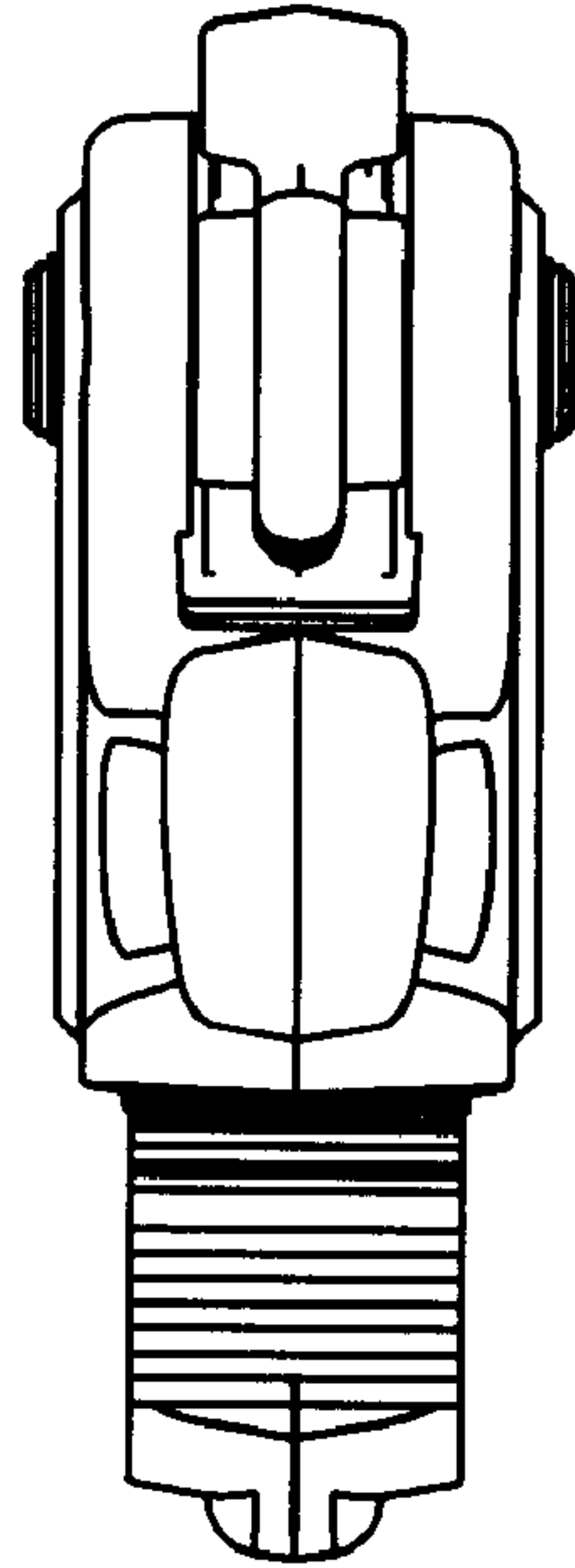


FIG. 6

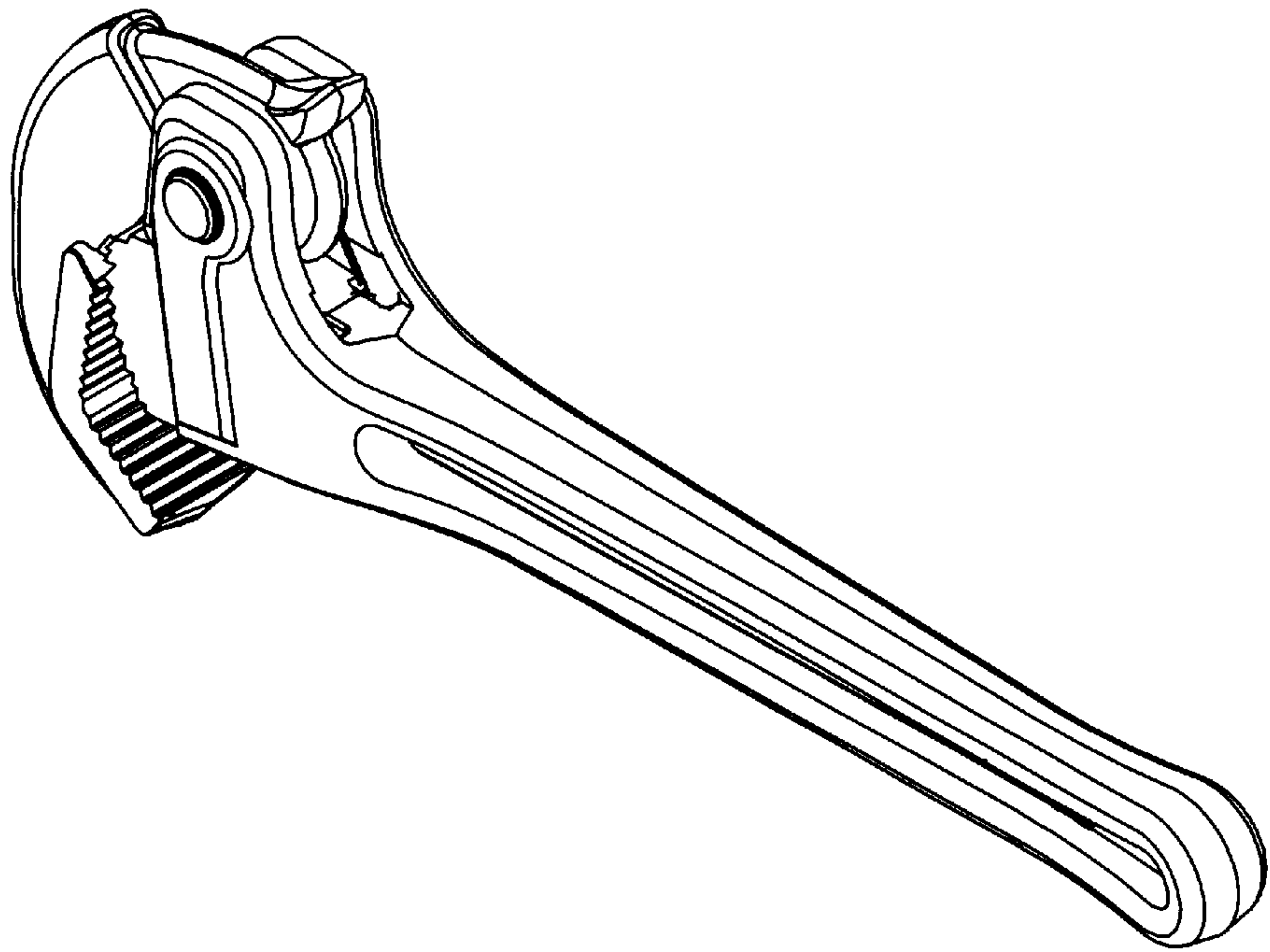


FIG. 7