



US00D474378S

(12) **United States Design Patent**
Brandenburg

(10) **Patent No.:** **US D474,378 S**

(45) **Date of Patent:** **** May 13, 2003**

(54) **HERB GRINDER**

4,280,666 A * 7/1981 Jones 241/273.2
6,247,661 B1 * 6/2001 Chainani 241/169.1

(75) **Inventor:** **Evert Jacobus Brandenburg,**
Amsterdam (NL)

* cited by examiner

(73) **Assignee:** **Future Handelonderneming BV,**
Amsterdam (NL)

Primary Examiner—Terry A. Wallace
(74) *Attorney, Agent, or Firm*—Birch, Stewart, Kolasch &
Birch, LLP

(**) **Term:** **14 Years**

(57) **CLAIM**

(21) **Appl. No.:** **29/159,469**

The ornamental design for an herb grinder, as shown and described.

(22) **Filed:** **Apr. 23, 2002**

DESCRIPTION

(51) **LOC (7) Cl.** **07-06**

(52) **U.S. Cl.** **D7/679**

(58) **Field of Search** D7/679, 372–374,
D7/383, 384, 590–597; 241/168, 169, 169.1,
262, 286, 273.2

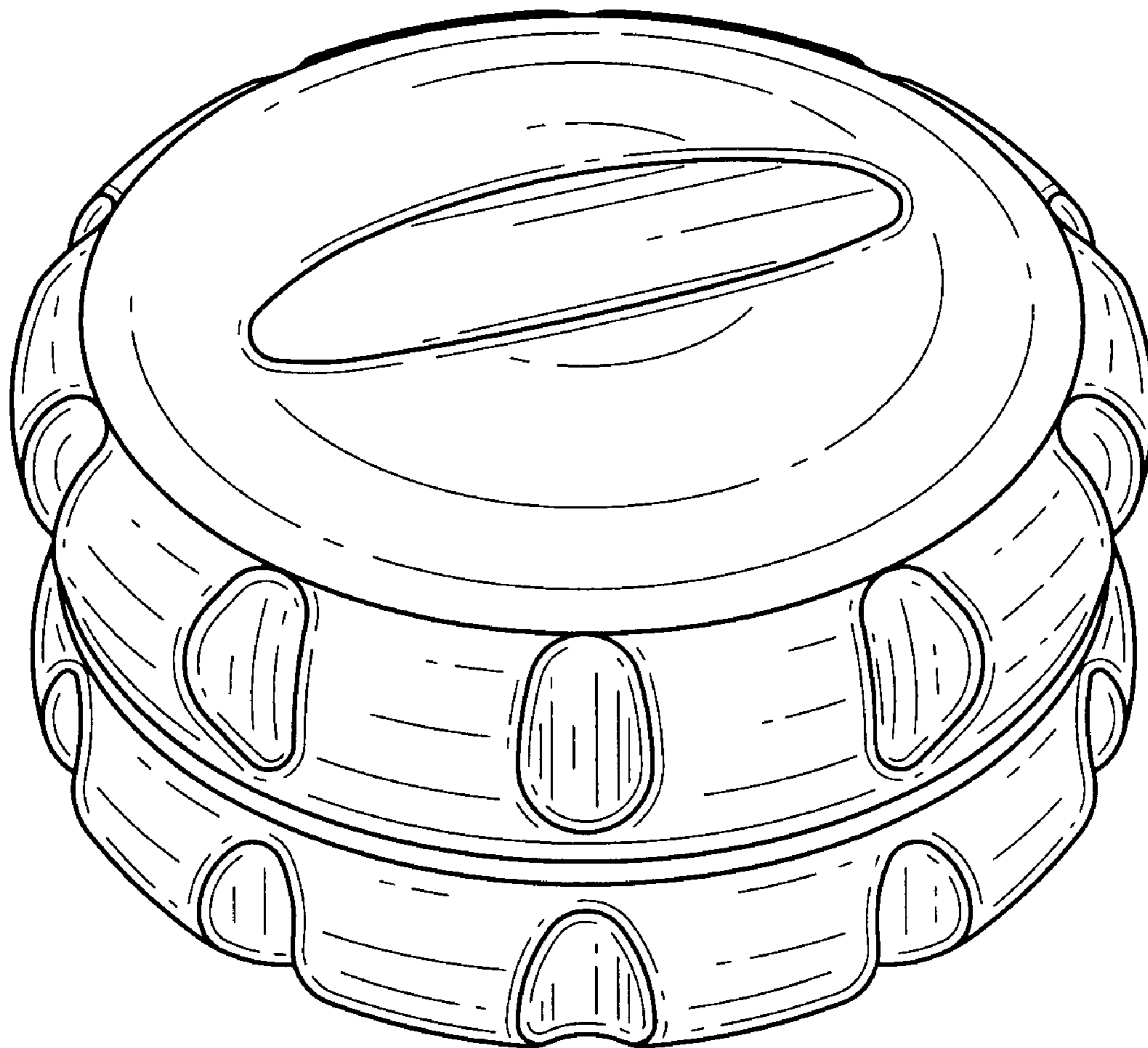
FIG. 1 is a top perspective view of the herb grinder showing my new design;
FIG. 2 is a top plan view of the herb grinder, the bottom view being a mirror-image thereof;
FIG. 3 is a front view of the herb grinder, the rear view being a mirror-image thereof; and,
FIG. 4 is a right side view of the herb grinder, the left side view being a mirror-image thereof.

(56) **References Cited**

U.S. PATENT DOCUMENTS

2,726,816 A * 12/1955 Brantley 241/169

1 Claim, 2 Drawing Sheets



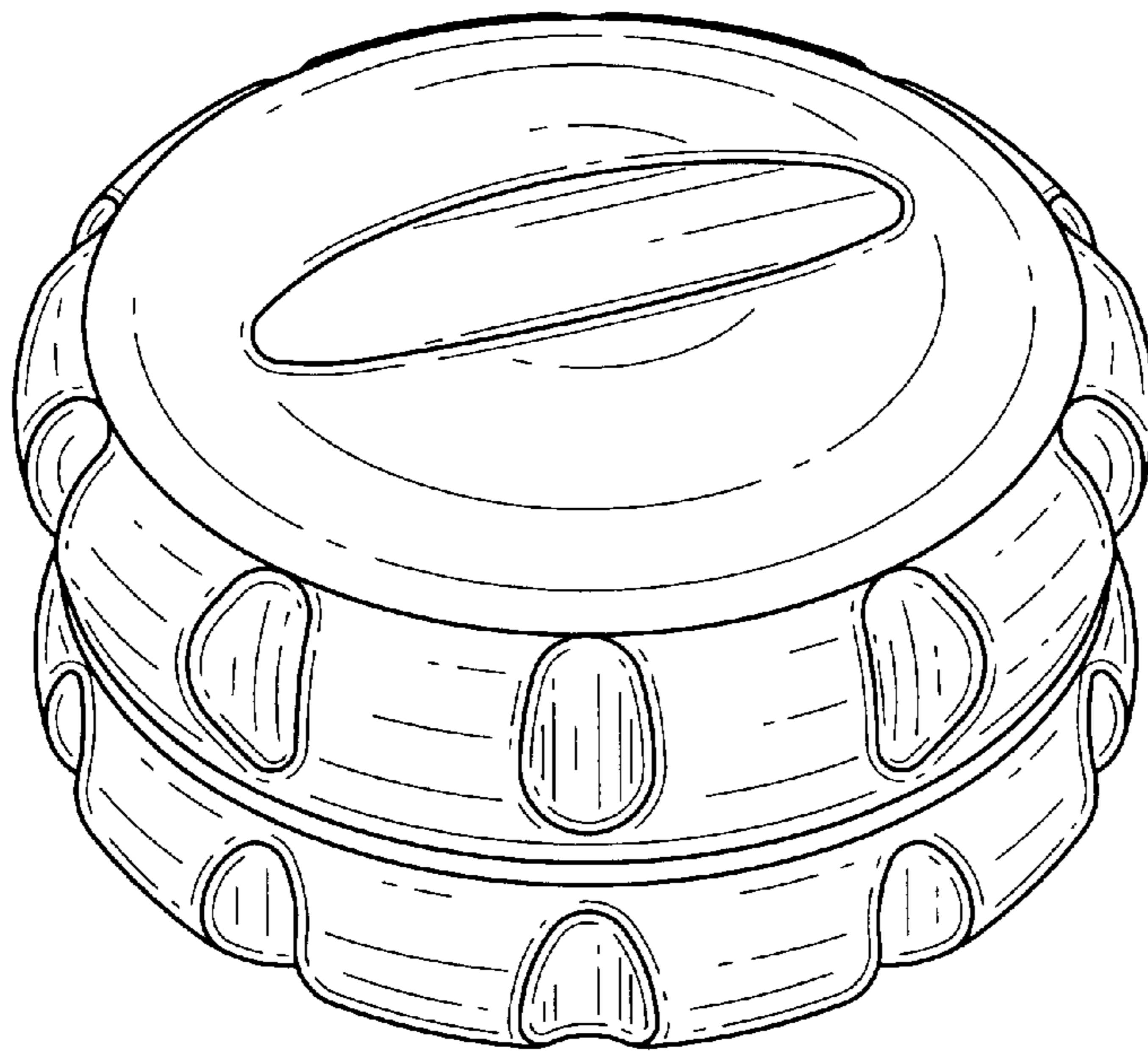


FIG. 1

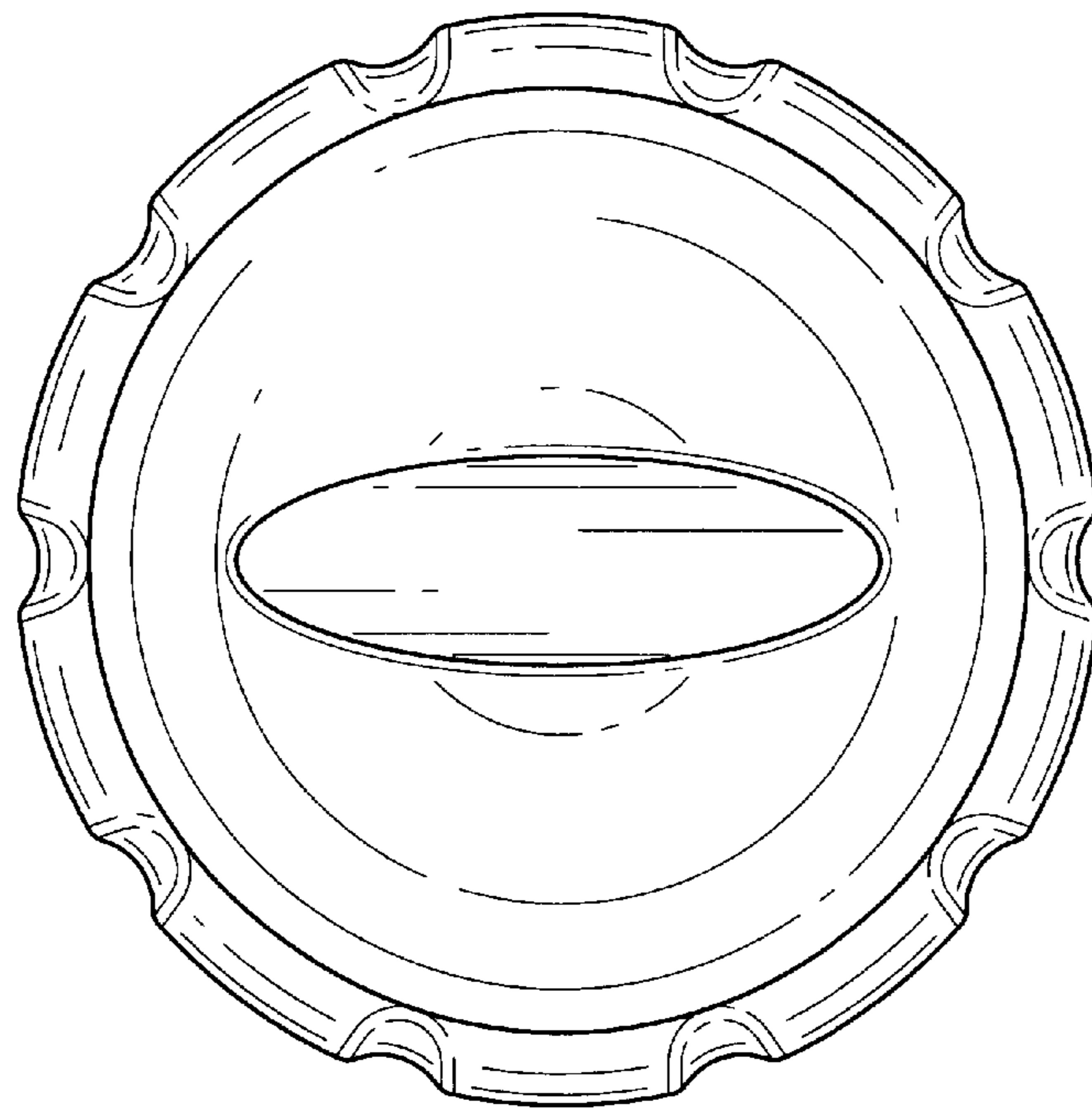


FIG. 2

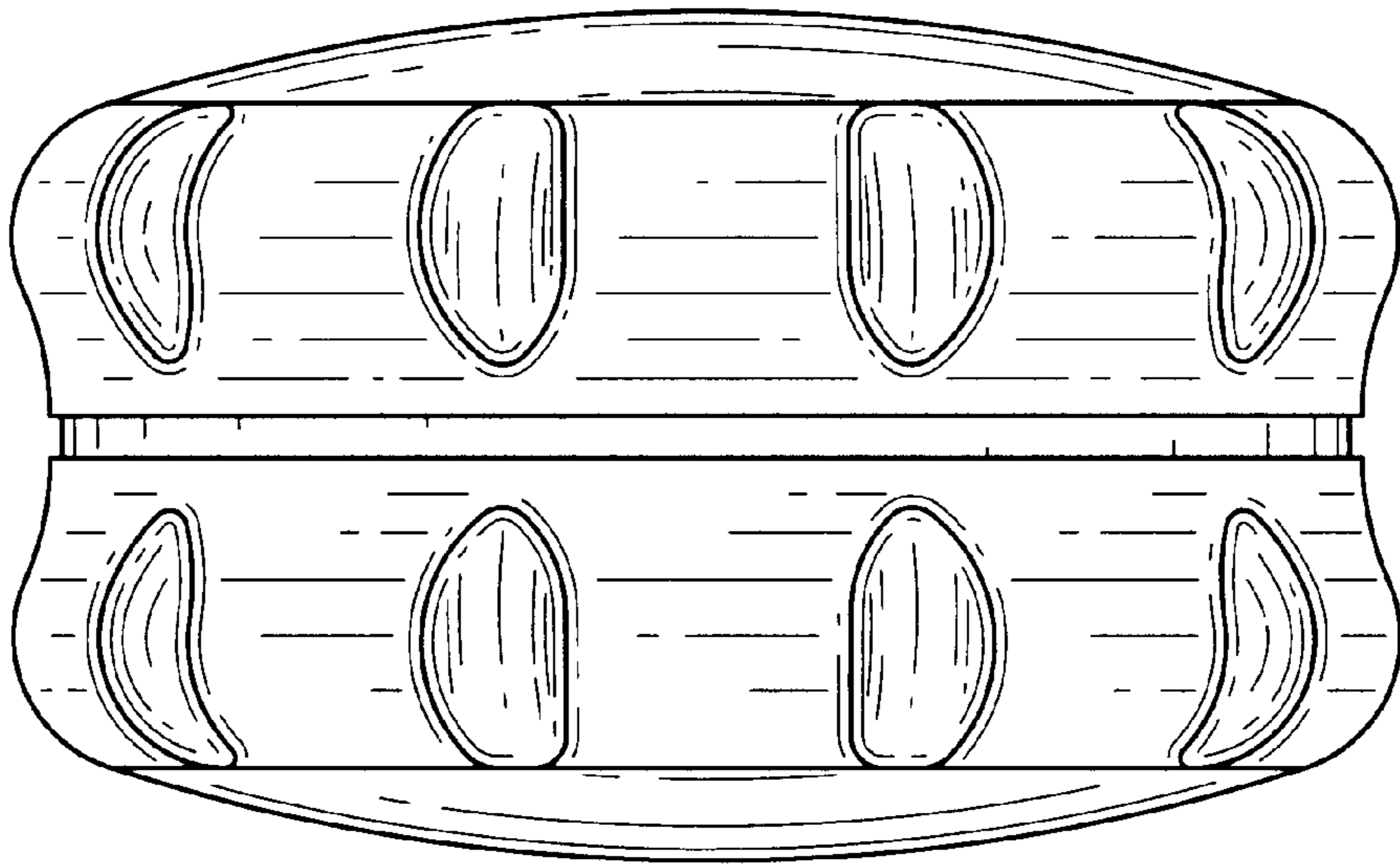


FIG. 3

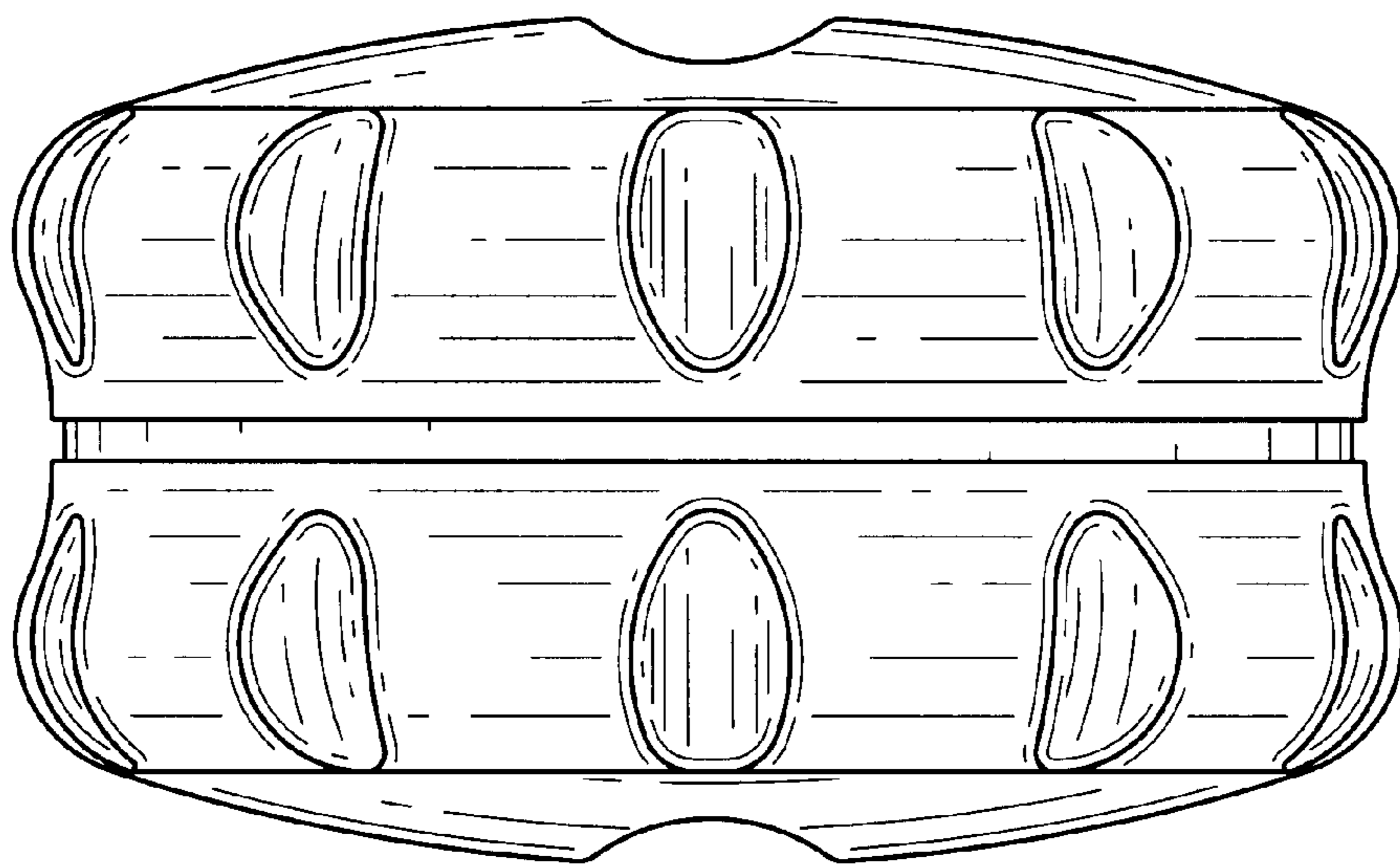


FIG. 4