



US00D474377S

(12) **United States Design Patent**  
**Holsinger**

(10) **Patent No.:** **US D474,377 S**

(45) **Date of Patent:** **\*\* May 13, 2003**

(54) **FOOD JAR AND LID**

(75) Inventor: **Philip M. Holsinger**, Chicago, IL (US)

(73) Assignee: **Thermos L.L.C.**, Schaumburg, IL (US)

(\*\*) Term: **14 Years**

(21) Appl. No.: **29/160,727**

(22) Filed: **May 15, 2002**

(51) **LOC (7) Cl.** ..... **09-02**

(52) **U.S. Cl.** ..... **D7/615; D9/520; D9/529;**  
D9/551; D9/558

(58) **Field of Search** ..... D4/612-615, 619;  
D9/503, 504, 509, 516, 520, 529, 530,  
537, 539, 542, 549, 551, 552, 558, 564,  
565, 571, 574; 215/382-384, 396, 398,  
400, 12.1, 12.2, 13.1; 220/4.21, 669, 675

(56) **References Cited**

**U.S. PATENT DOCUMENTS**

- D28,483 S \* 4/1898 Modes ..... D9/520
- D177,570 S \* 5/1956 James ..... D9/539 X
- 3,032,228 A \* 5/1962 Andrews ..... 215/12.1 X
- 3,982,651 A \* 9/1976 Braun et al. .... 220/4.21
- D325,164 S \* 4/1992 Cann et al. .... D9/529
- D375,655 S \* 11/1996 King ..... D7/511
- D377,737 S \* 2/1997 Kristnik ..... D7/511
- D379,573 S \* 6/1997 Lin ..... D7/612
- D400,407 S \* 11/1998 Platte ..... D7/629
- D412,373 S \* 7/1999 Krawec et al. .... D27/190
- D418,409 S \* 1/2000 Hampshire ..... D9/424

- 6,079,591 A \* 6/2000 Timms ..... 220/771
- D429,968 S \* 8/2000 Frankel ..... D7/620
- D431,322 S \* 9/2000 Lemoine ..... D28/73
- D453,892 S \* 2/2002 Lindsay et al. .... D7/596
- D455,052 S \* 4/2002 Gullickson et al. .... D7/619

\* cited by examiner

*Primary Examiner*—Ted Shooman

*Assistant Examiner*—Carol Rademaker

(74) *Attorney, Agent, or Firm*—Wood, Phillips, Katz, Clark & Mortimer

(57) **CLAIM**

The ornamental design of a food jar and lid, as shown and described.

**DESCRIPTION**

FIG. 1 is a perspective view my food jar and lid design taken from above and from the right side thereof;

FIG. 2 is a perspective view of my food jar and lid design taken from below and from the left side thereof;

FIG. 3 is a front elevation view of my food jar and lid design, the rear elevation being identical;

FIG. 4 is a side elevation view of my food jar and lid design, the opposite side being identical;

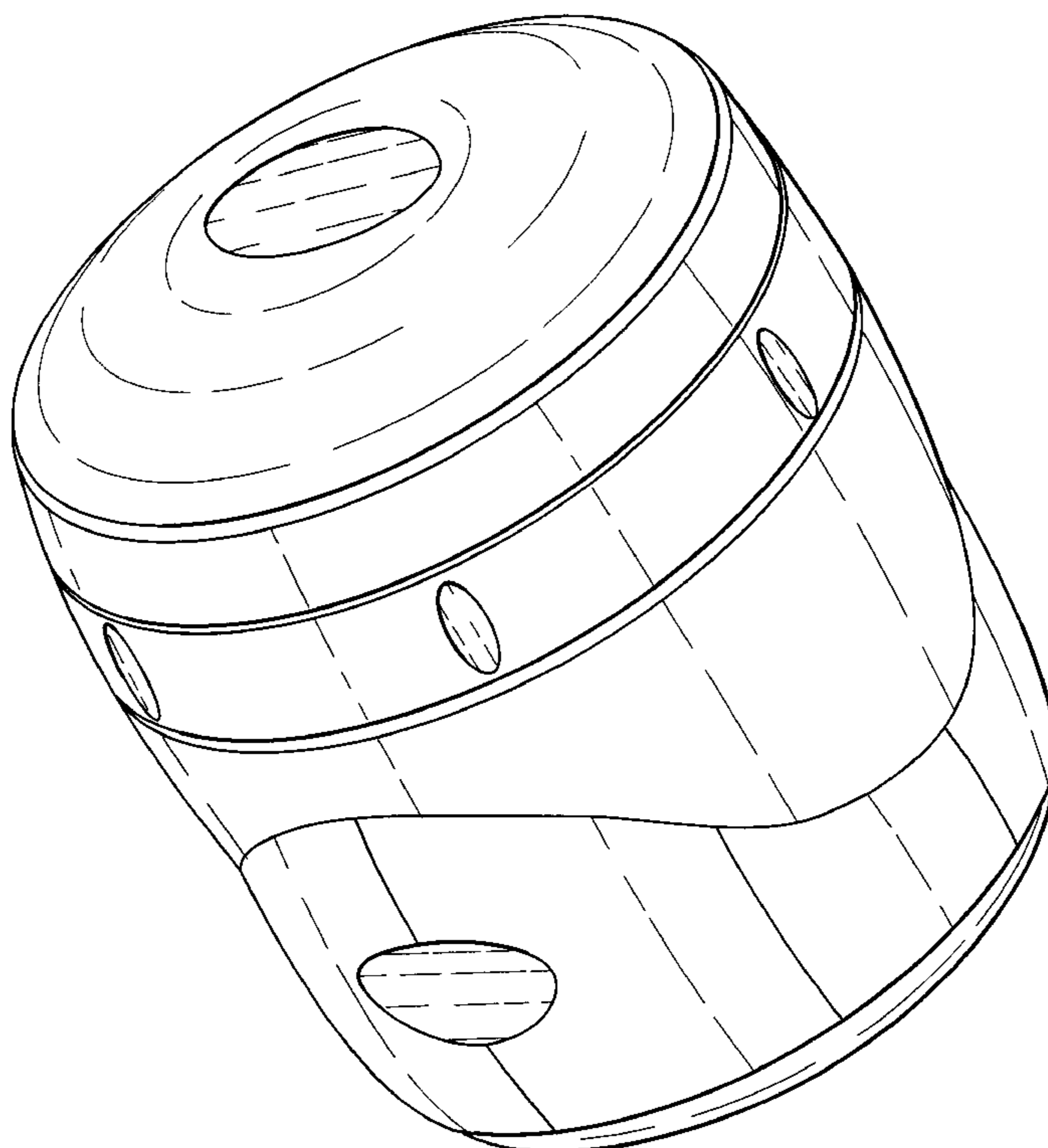
FIG. 5 is a top plan view of my food jar and lid design;

FIG. 6 is a bottom view of my food jar and lid design;

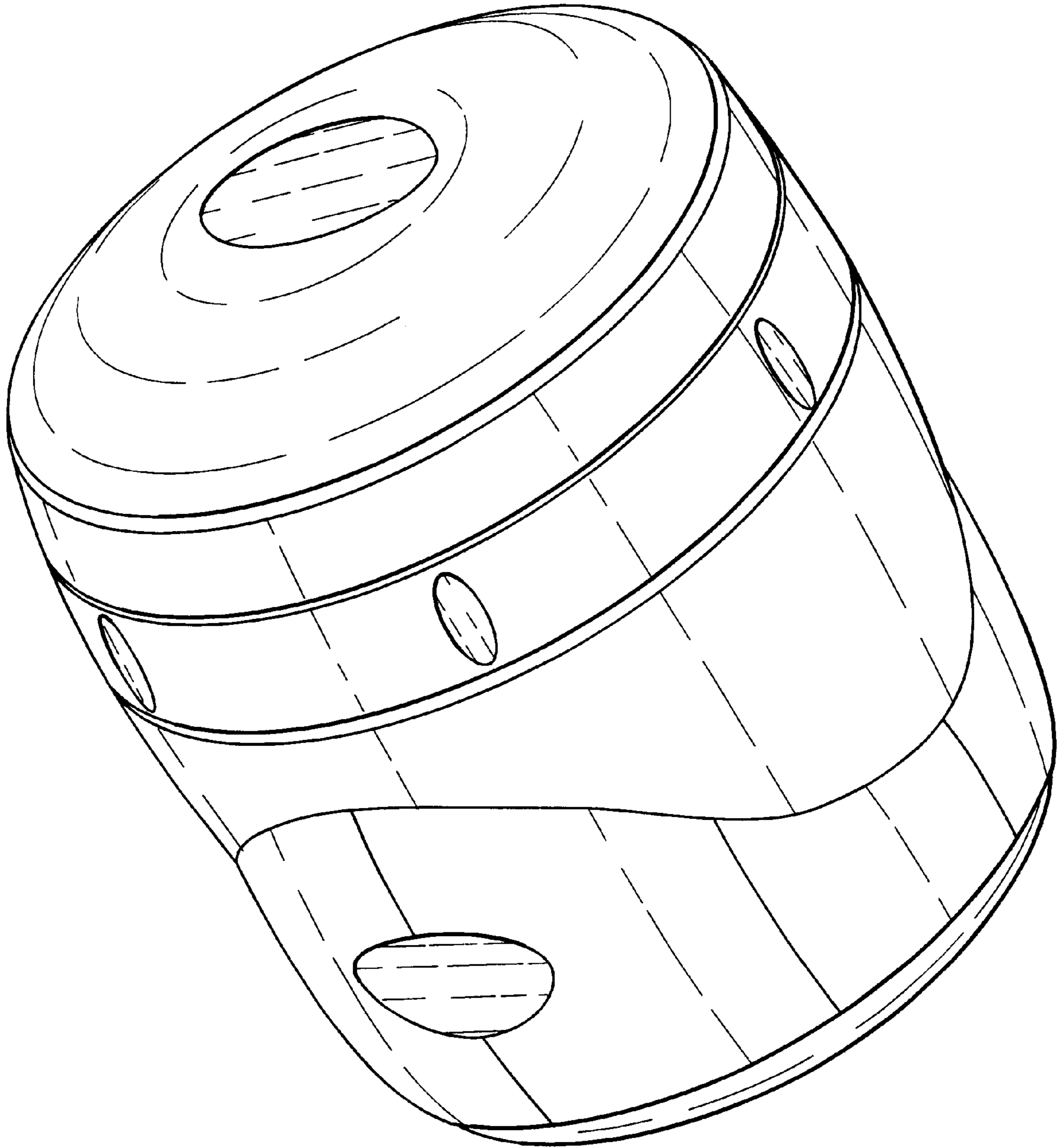
FIG. 7 is a perspective view of my food jar and lid design with the lid removed and taken from the top thereof; and,

FIG. 8 is a top plan view of my food jar and lid design with the lid removed.

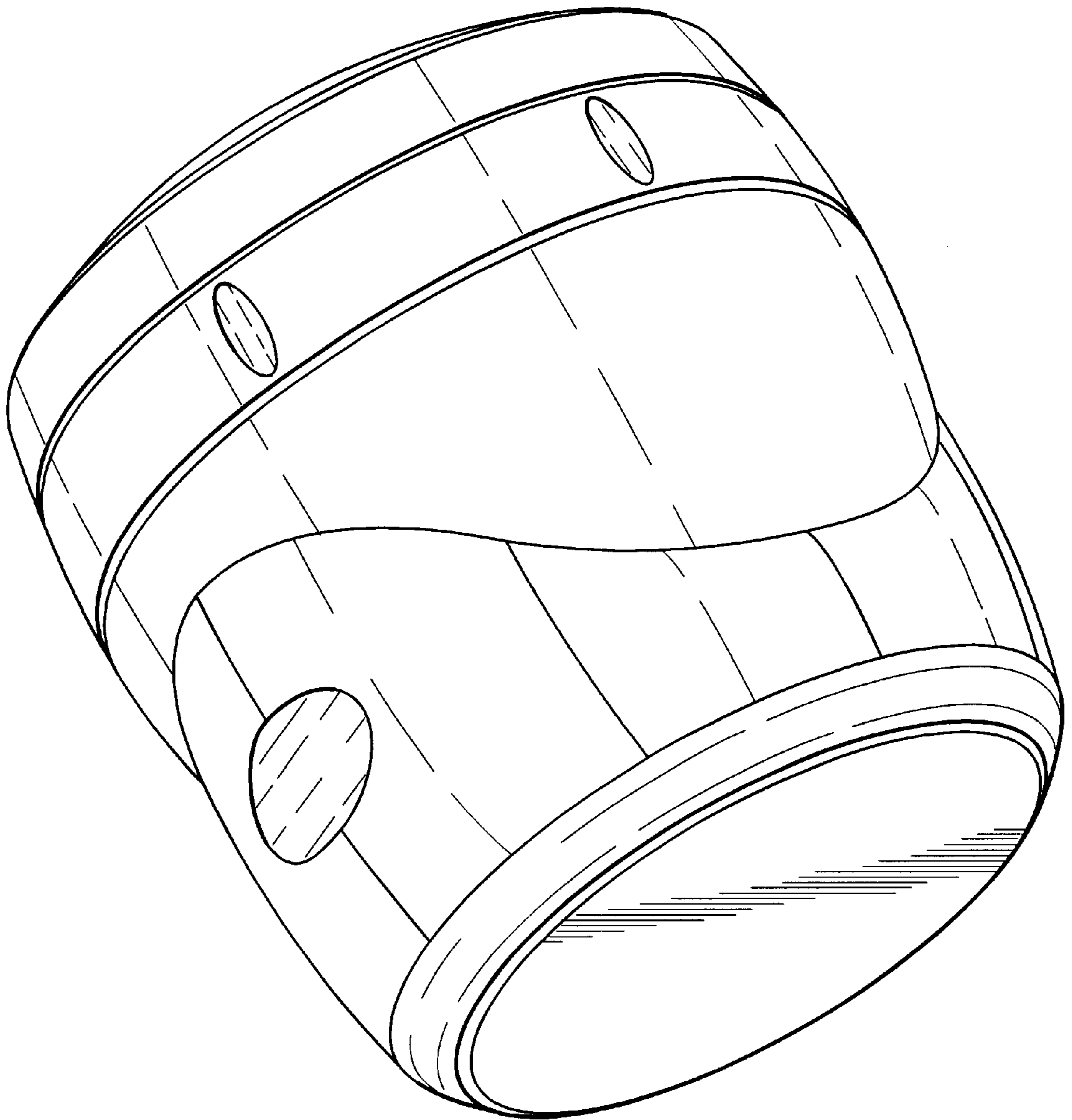
**1 Claim, 5 Drawing Sheets**



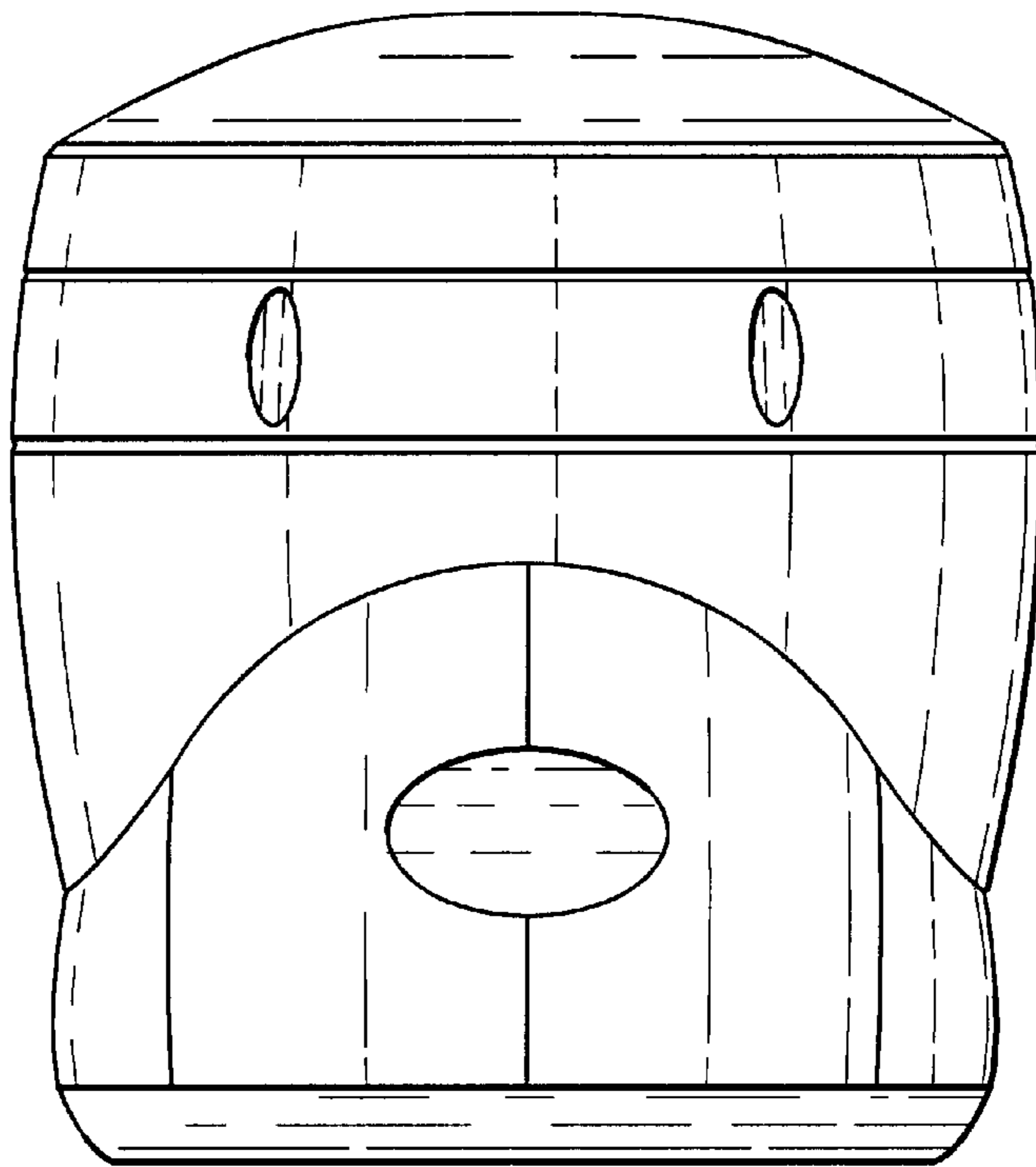
*Fig. 1*



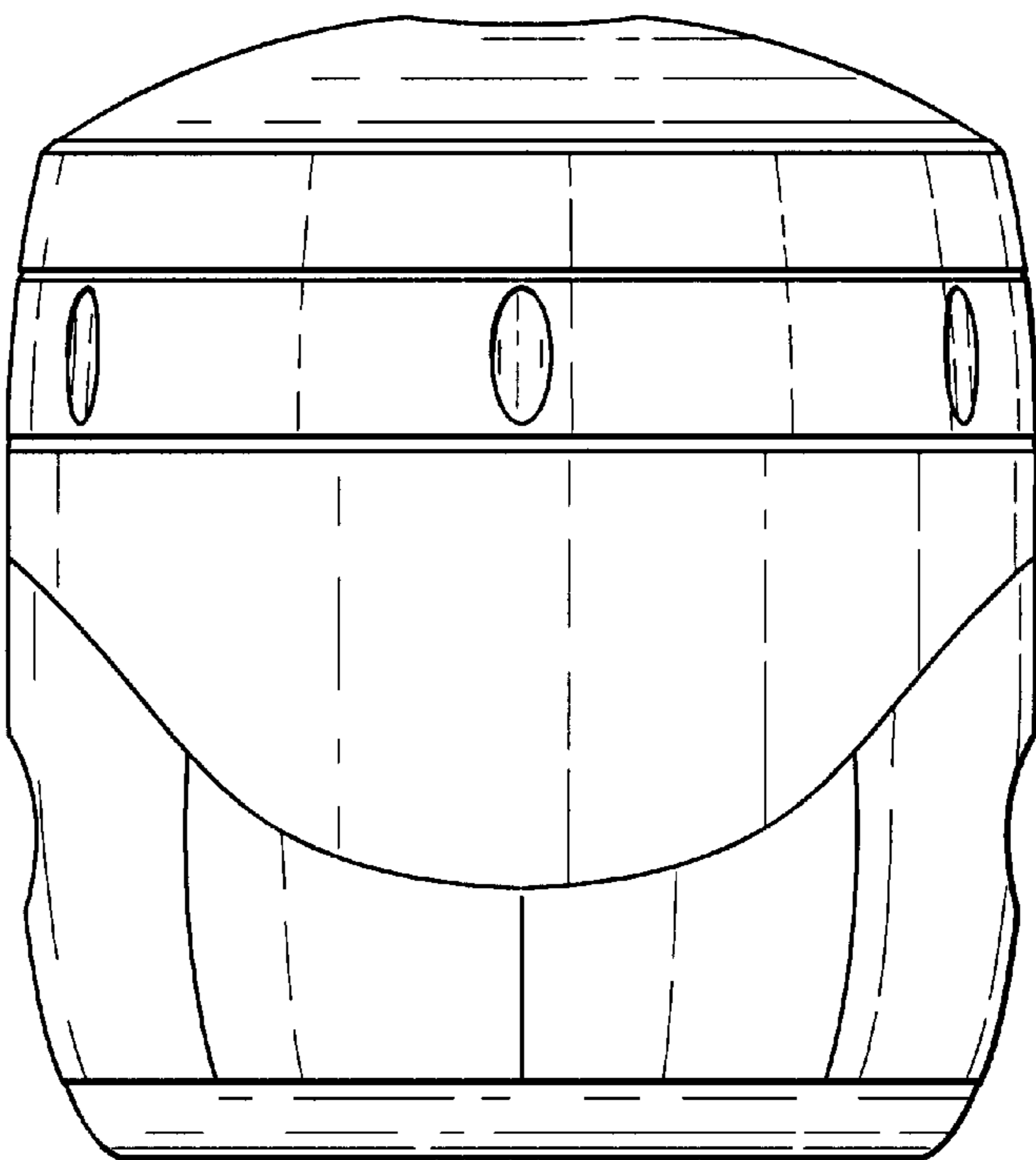
*Fig. 2*



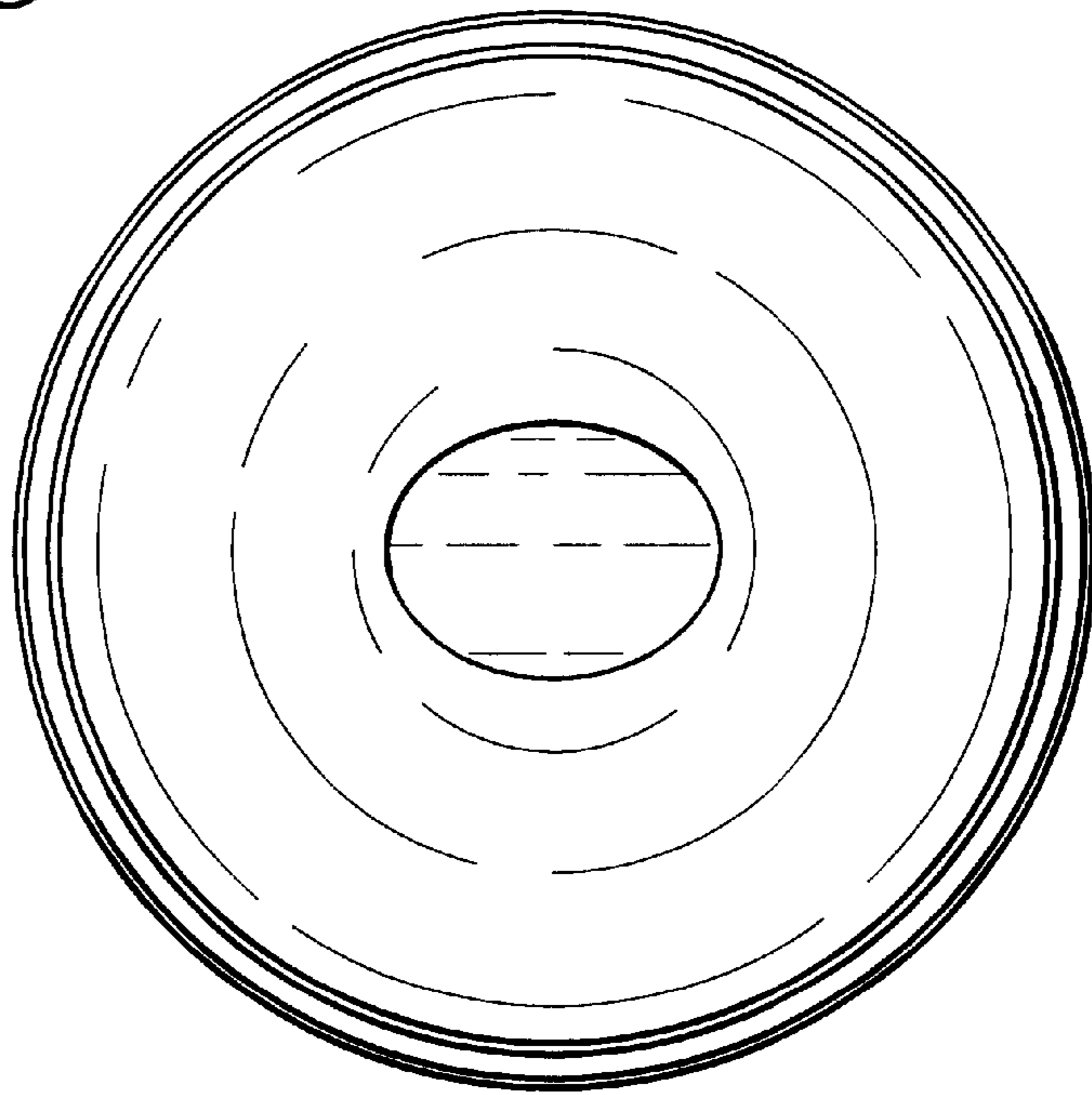
*Fig. 3*



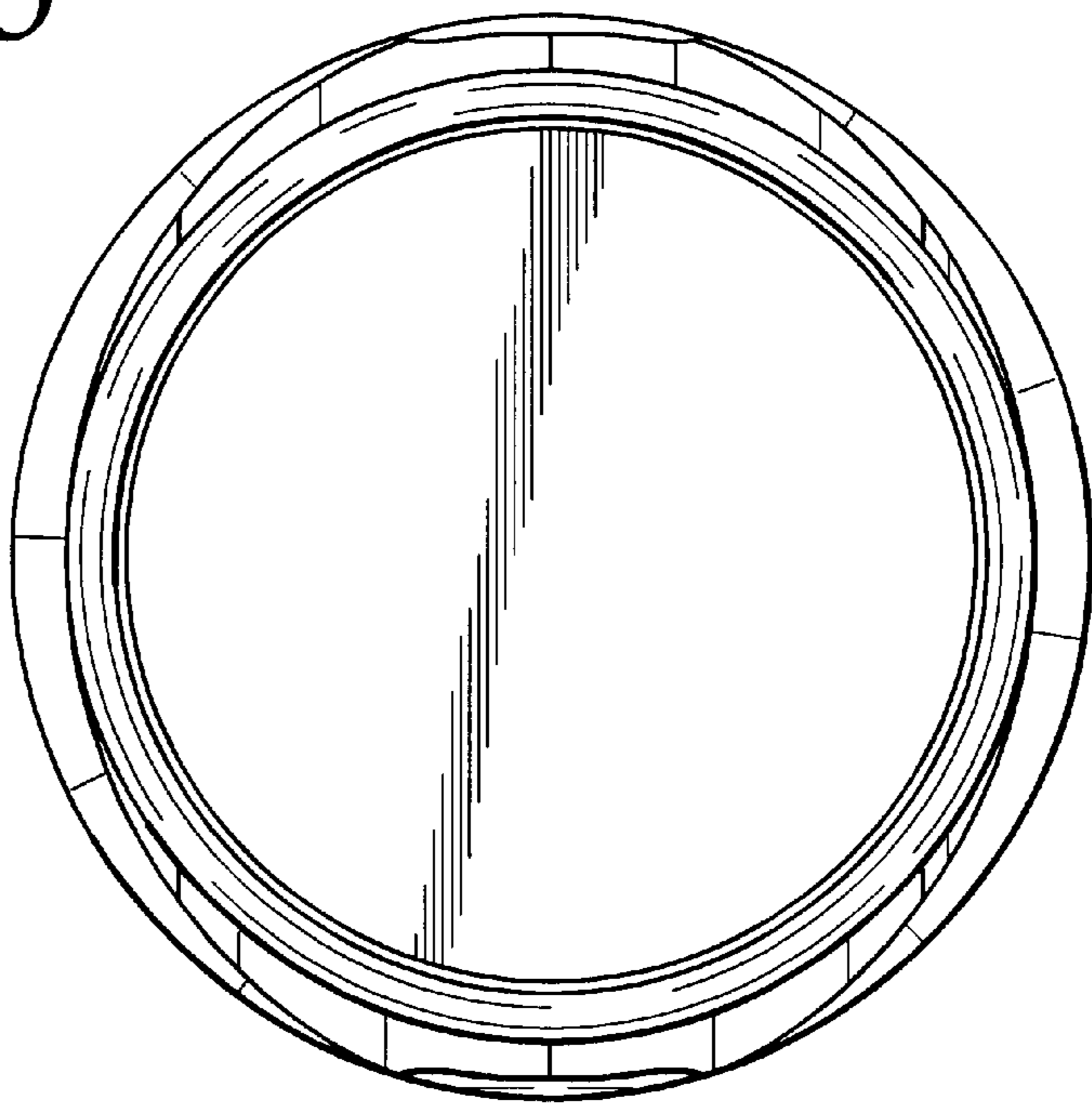
*Fig. 4*



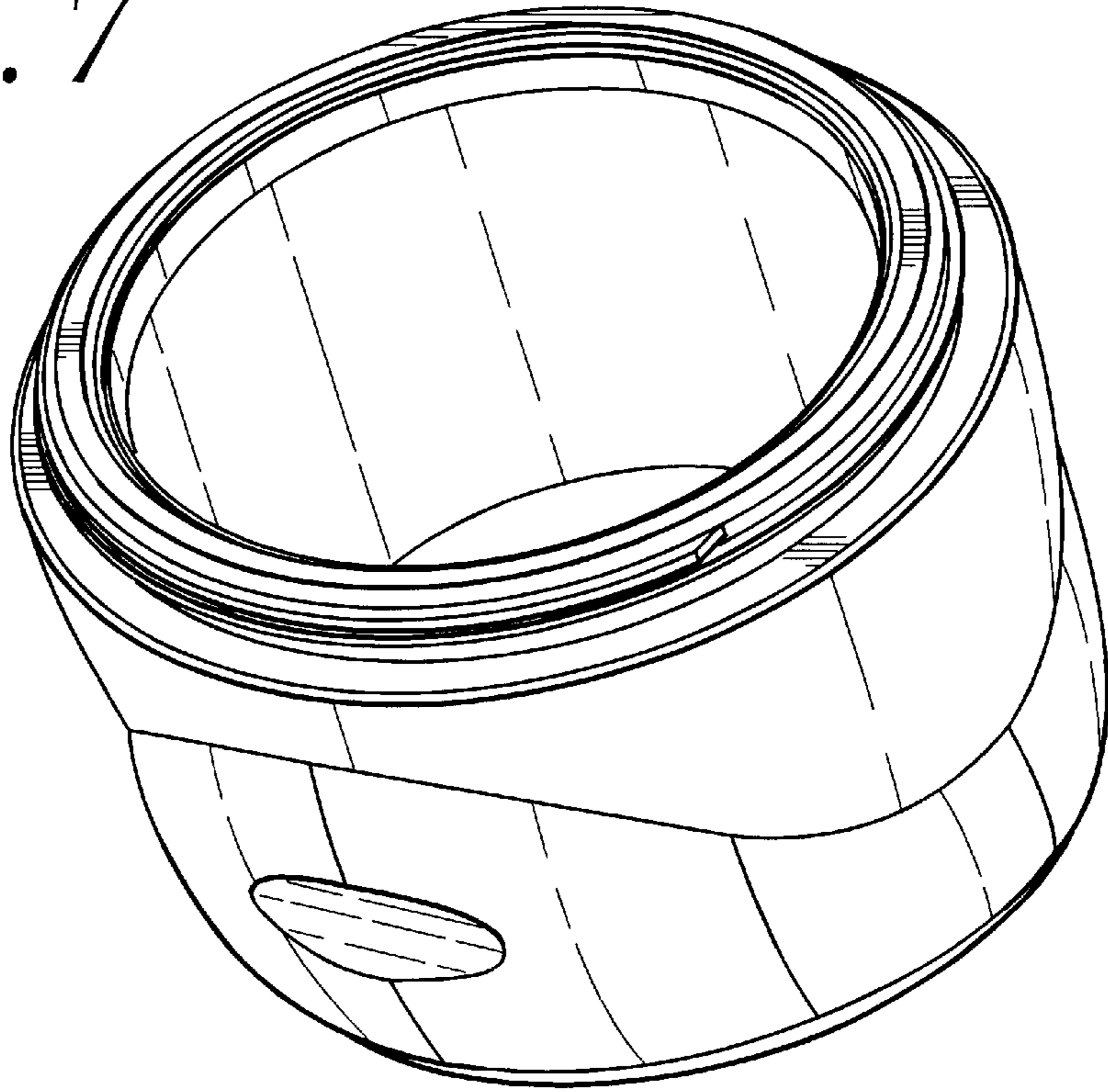
*Fig. 5*



*Fig. 6*



*Fig. 7*



*Fig. 8*

