



US00D474376S

(12) **United States Design Patent**  
**Kitamura et al.**

(10) **Patent No.:** **US D474,376 S**

(45) **Date of Patent:** **\*\* May 13, 2003**

(54) **THERMAL BOTTLE**

(75) Inventors: **Nobuyuki Kitamura**, Kyoto (JP);  
**Takuo Yamamoto**, Kyoto (JP)

(73) Assignee: **Nippon Sanso Corporation**, Tokyo (JP)

(\*\*) Term: **14 Years**

(21) Appl. No.: **29/159,172**

(22) Filed: **Apr. 15, 2002**

(30) **Foreign Application Priority Data**

Oct. 23, 2001 (JP) ..... 2001-030973

(51) **LOC (7) Cl.** ..... **07-01**

(52) **U.S. Cl.** ..... **D7/608**

(58) **Field of Search** ..... D7/605-608; D9/501-504;  
62/457.1, 457.7; 215/6, 12.1, 12.2, 13.1

(56) **References Cited**

**U.S. PATENT DOCUMENTS**

D182,708 S \* 5/1958 Braniming ..... D7/608  
D360,113 S \* 7/1995 Takahashi ..... D7/608  
D371,304 S \* 7/1996 Onneweer ..... D9/503

D378,652 S \* 4/1997 Yamananka et al. .... D7/608  
D429,118 S \* 8/2000 Hurlbut ..... D7/608

\* cited by examiner

*Primary Examiner*—Terry A. Wallace

(74) *Attorney, Agent, or Firm*—J.C. Patents

(57) **CLAIM**

The ornamental design for a thermal bottle, as shown and described.

**DESCRIPTION**

FIG. 1 is a perspective view of a thermal bottle according to the invention;

FIG. 2 is a top plan view thereof;

FIG. 3 is a front elevational view thereof;

FIG. 4 is a rear elevational view thereof;

FIG. 5 is a bottom plan view thereof;

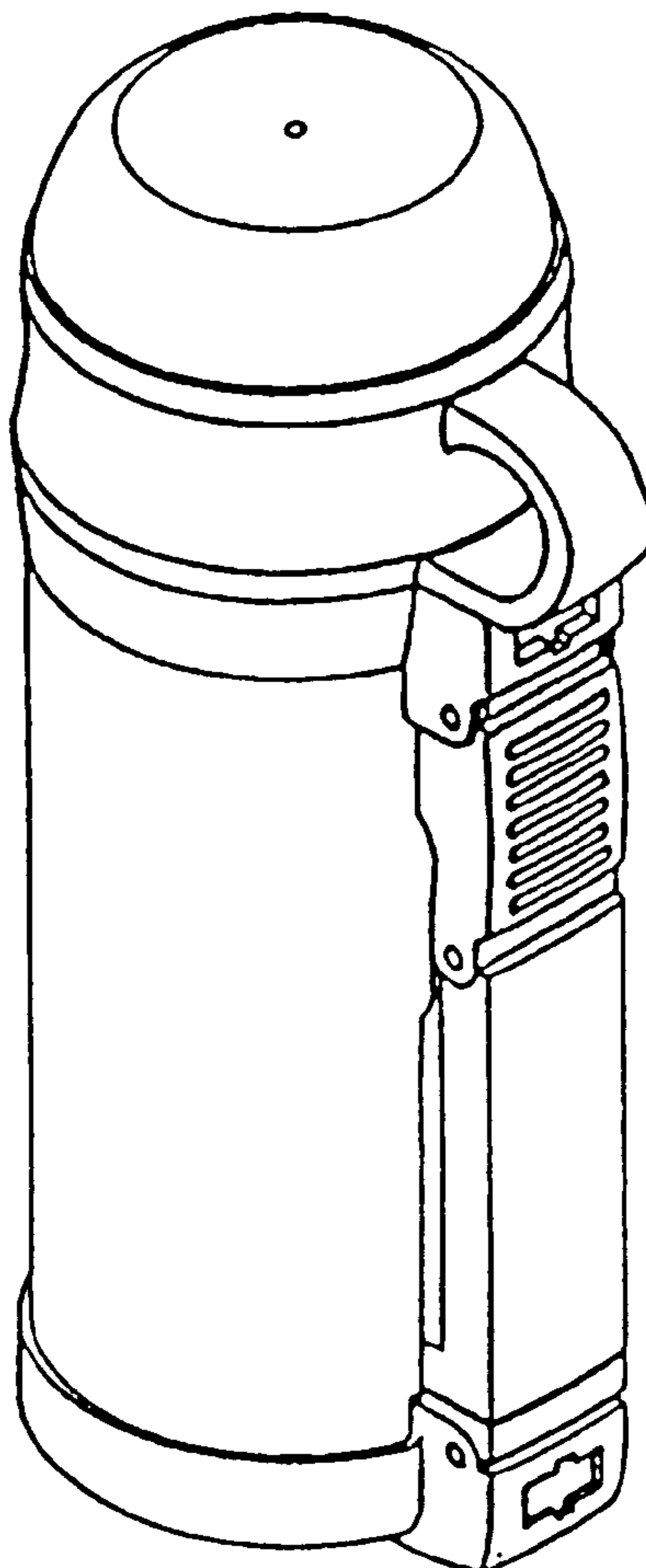
FIG. 6 is a right end elevational view thereof;

FIG. 7 is a left end elevational view thereof;

FIG. 8 is a cross sectional view taken along line 8—8 of FIG. 2; and,

FIG. 9 is a perspective view thereof, shown with handle when in use.

**1 Claim, 5 Drawing Sheets**



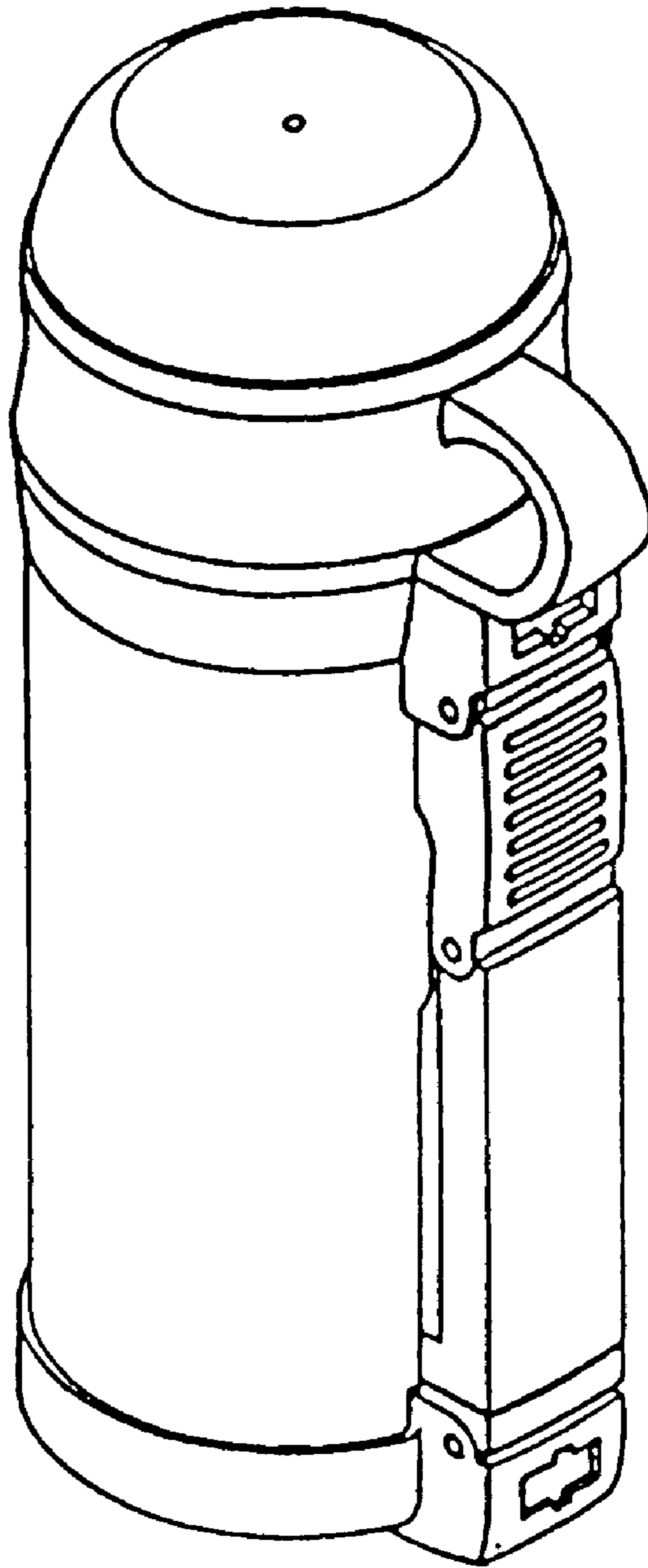


FIG. 1

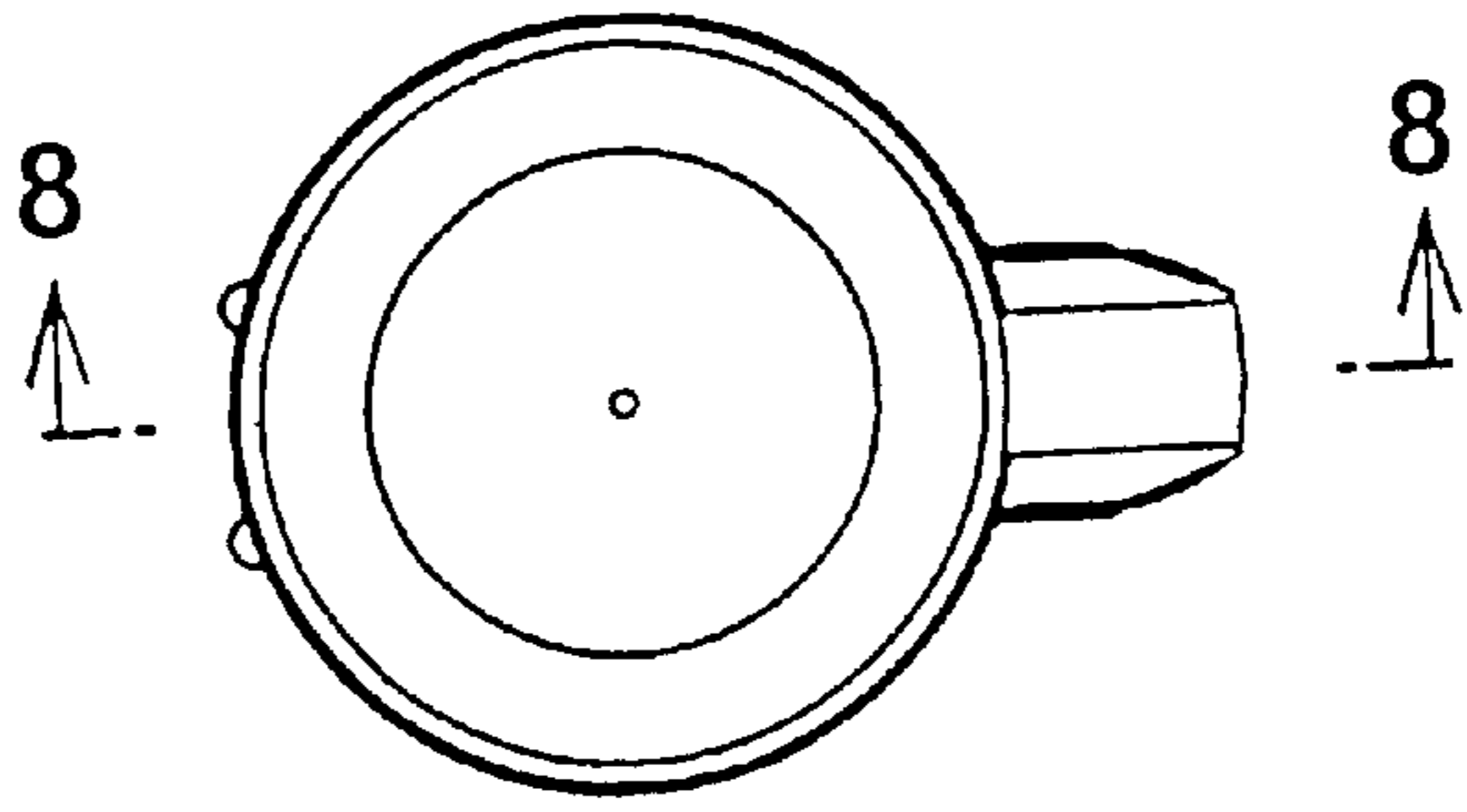


FIG. 2

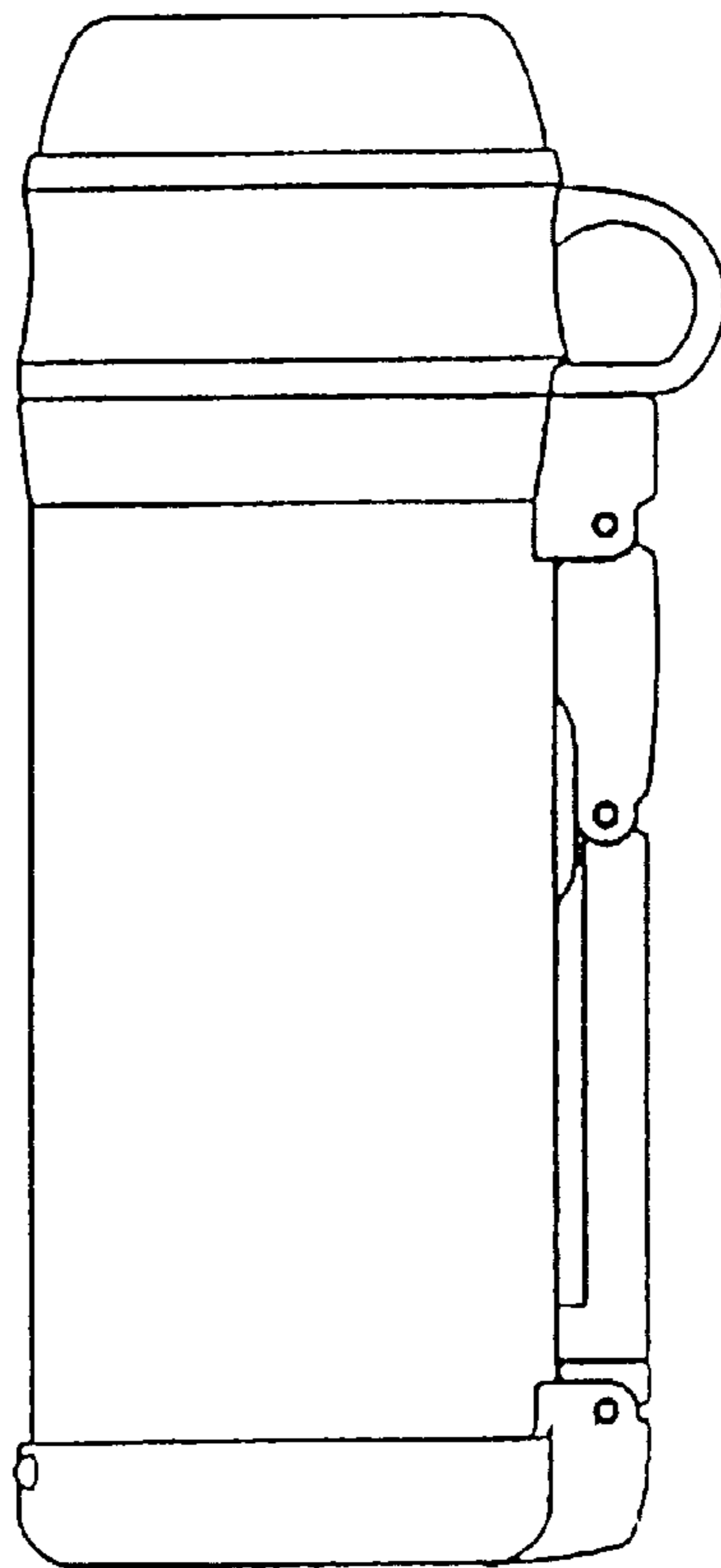


FIG. 3

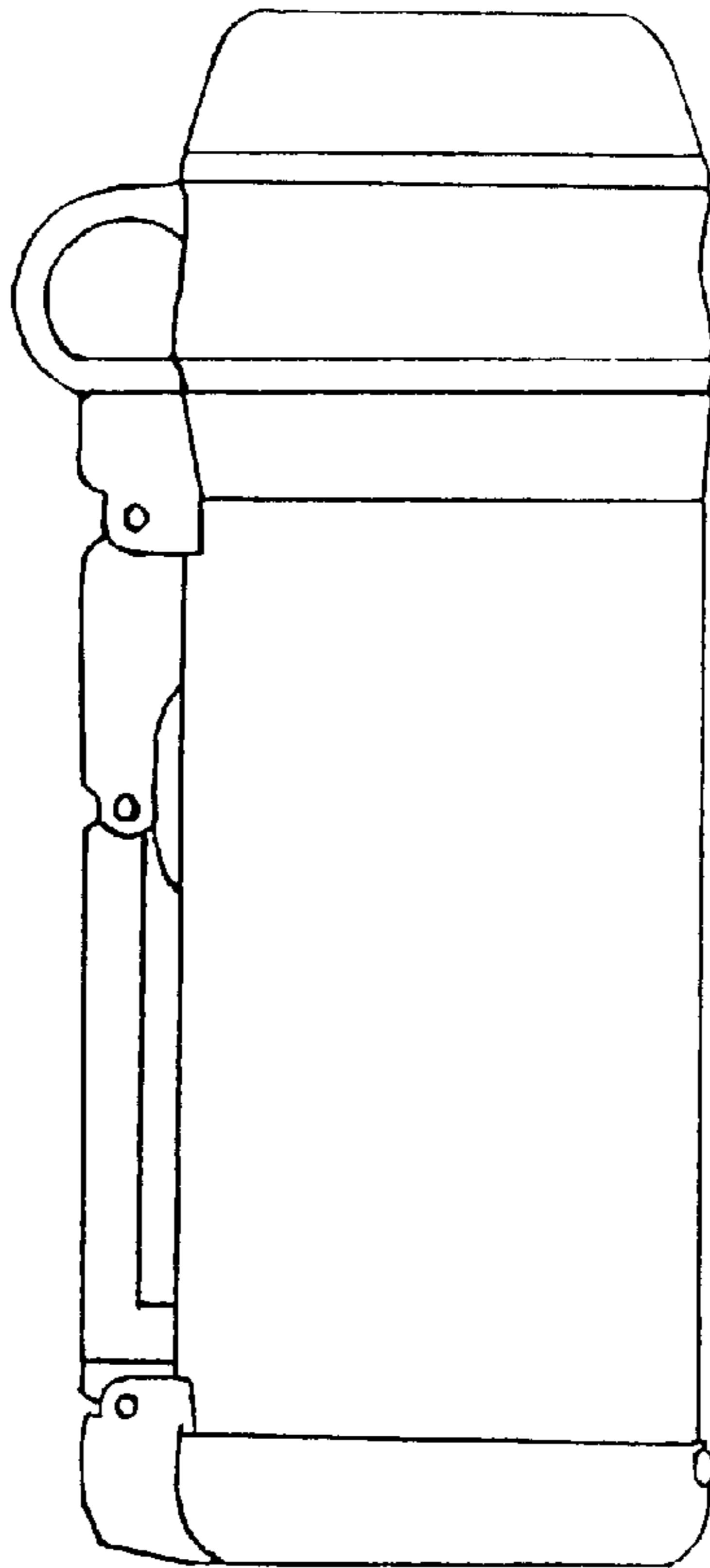


FIG. 4

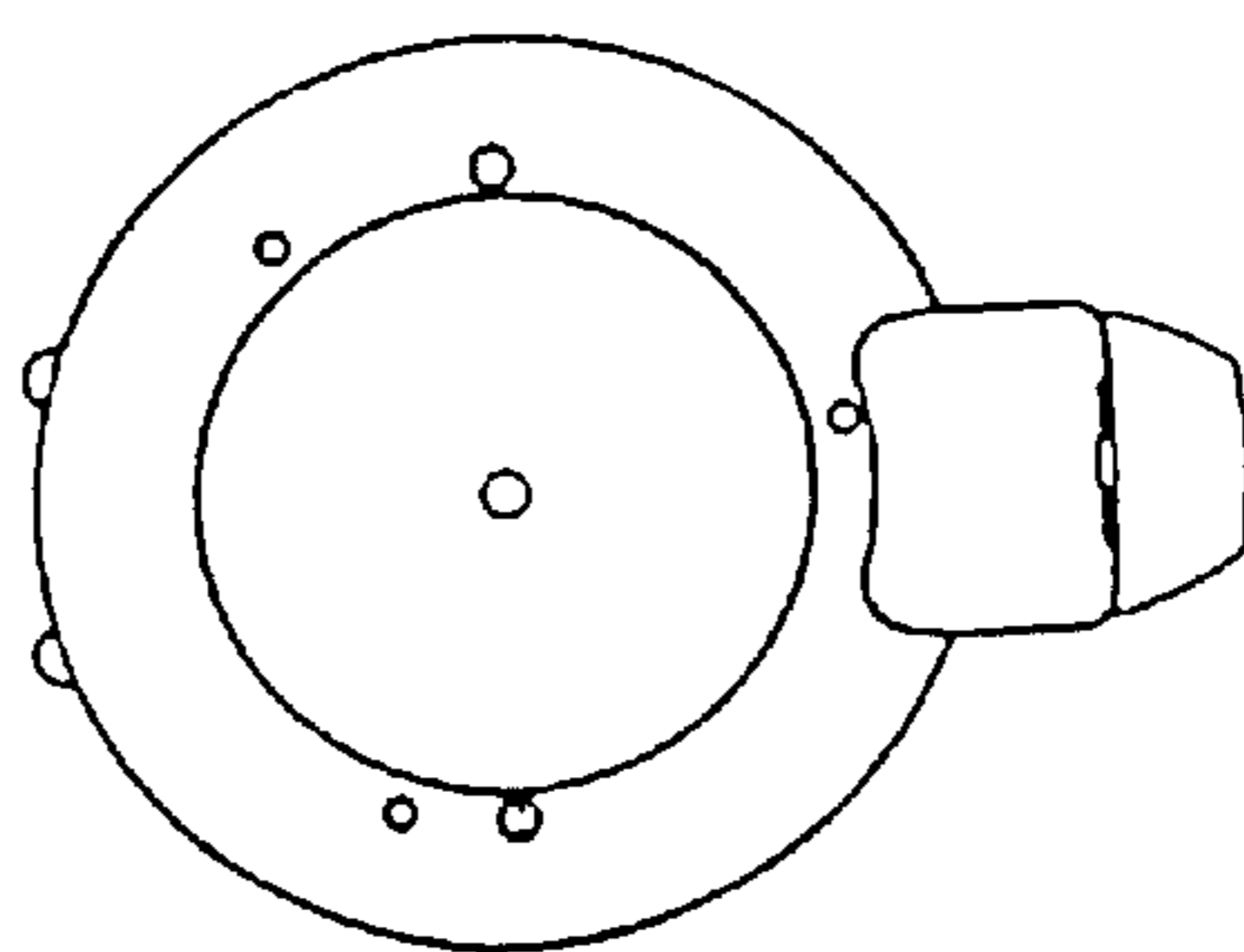


FIG. 5

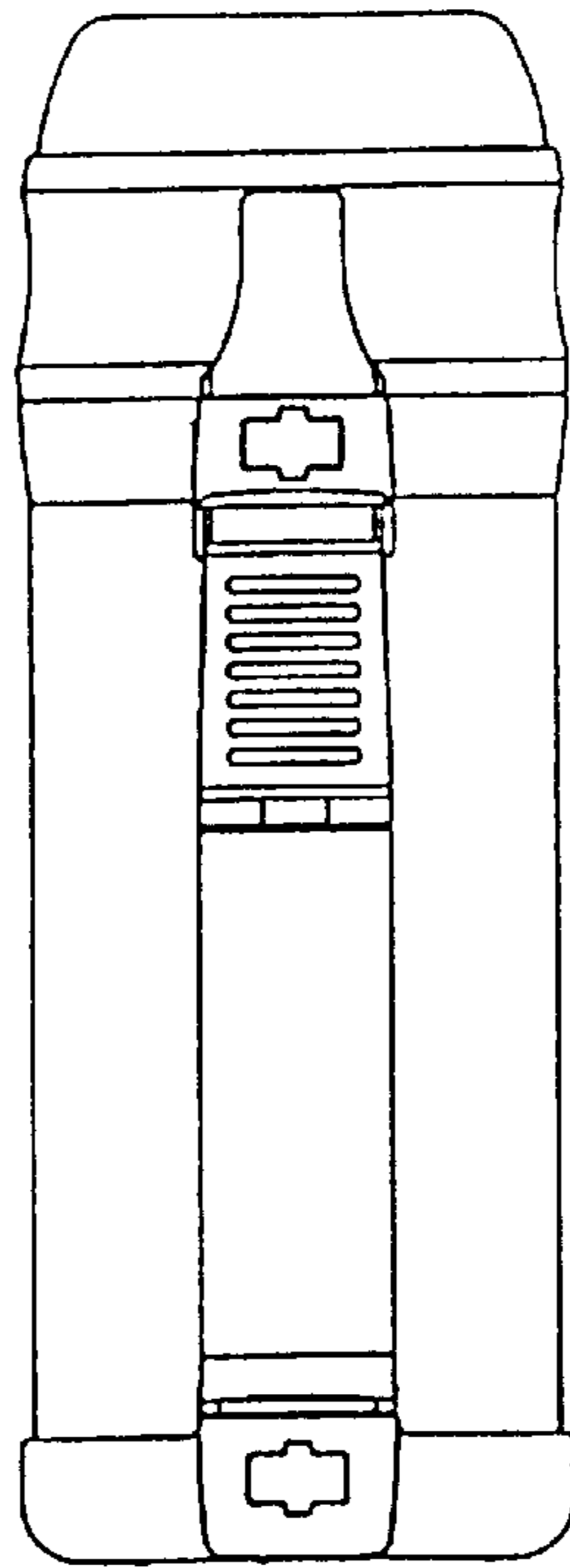


FIG. 6

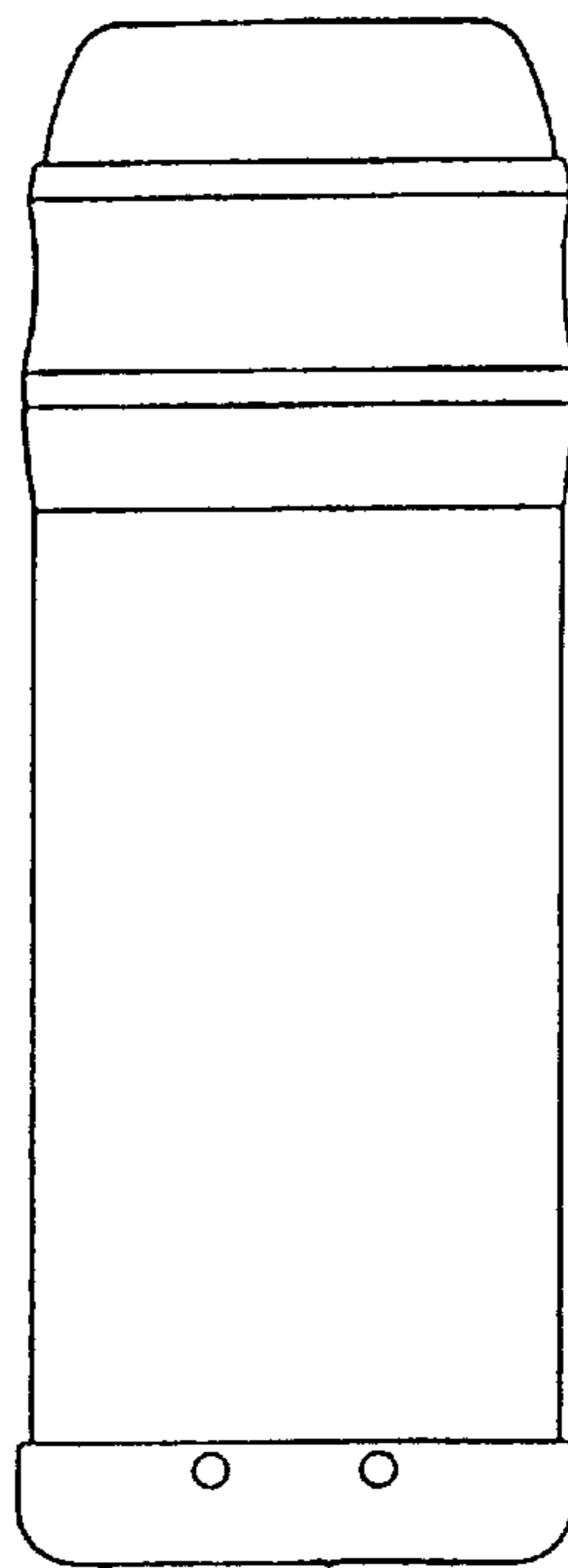


FIG. 7

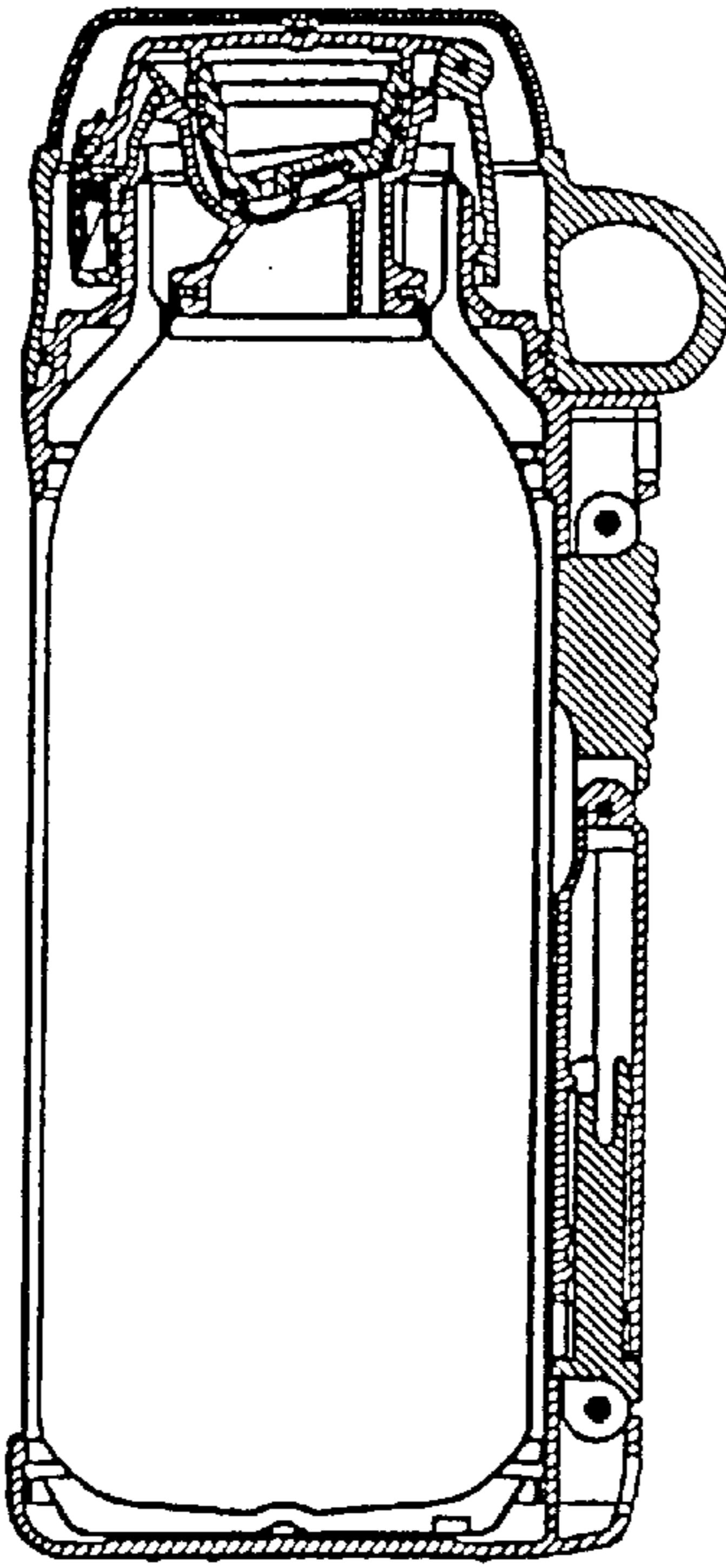


FIG. 8

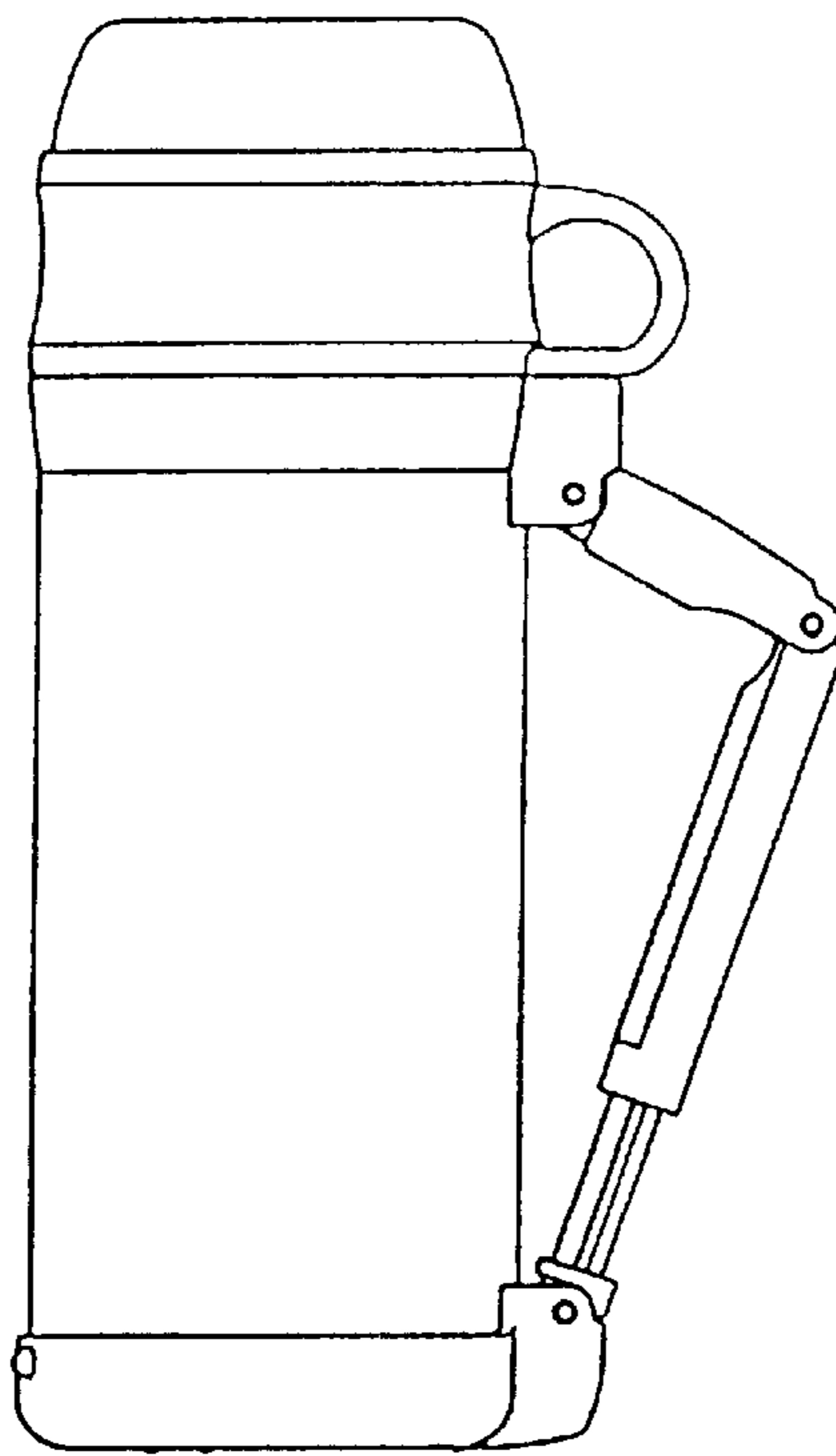


FIG. 9