



US00D474372S

(12) **United States Design Patent**
Leon

(10) **Patent No.:** **US D474,372 S**

(45) **Date of Patent:** **** May 13, 2003**

(54) **DRINKING VESSEL**

(76) Inventor: **Richard W. Leon**, 13002 Ledford St.,
Baldwin Park, CA (US) 91706

(**) Term: **14 Years**

(21) Appl. No.: **29/166,419**

(22) Filed: **Aug. 26, 2002**

(51) **LOC (7) Cl.** **07-01**

(52) **U.S. Cl.** **D7/515; D7/301**

(58) **Field of Search** **D7/514, 515, 301,**
D7/901, 606, 506, 510, 511; 206/779, 446;
229/148.9; 215/12.2

(56) **References Cited**

U.S. PATENT DOCUMENTS

D284,726 S	*	7/1986	Appel	D7/511
D330,826 S	*	11/1992	English	D7/515
D340,076 S	*	10/1993	Turner	D19/82
D349,556 S	*	8/1994	Ferger	D7/301
D349,631 S	*	8/1994	Redmon	D7/606
D354,639 S	*	1/1995	Stoddard et al.	D6/450
D355,334 S	*	2/1995	Minor	D7/606
D355,995 S	*	3/1995	Stoddard et al.	D6/450
D360,108 S	*	7/1995	Blankenburg et al.	D7/515
D370,829 S	*	6/1996	Neale	D7/515
D373,930 S	*	9/1996	Gruneisen, III	D7/515
D376,730 S	*	12/1996	Hurst et al.	D7/515
D391,451 S	*	3/1998	Todorya	D7/606
D409,443 S	*	5/1999	Clark et al.	D7/515

D415,929 S	*	11/1999	D'Arrigo	D7/515
D416,173 S	*	11/1999	Hersch	D7/514
D420,861 S	*	2/2000	Hansen	D7/606
D430,380 S	*	8/2000	Diamond	D99/30
D448,621 S	*	10/2001	Satterfield	D7/515
D460,321 S	*	7/2002	Ross	D7/506
D461,097 S	*	8/2002	Nemirovsky	D7/515

* cited by examiner

Primary Examiner—M. N. Pandozzi

(74) *Attorney, Agent, or Firm*—Boniard I. Brown

(57) **CLAIM**

The ornamental design for a drinking vessel, as shown and described.

DESCRIPTION

FIG. 1 is a front elevational view of a drinking vessel, showing my new design;

FIG. 2 is a rear elevational view thereof;

FIG. 3 is a left side elevational view thereof; the right side elevational view is a mirror image of FIG. 3;

FIG. 4 is a top view thereof;

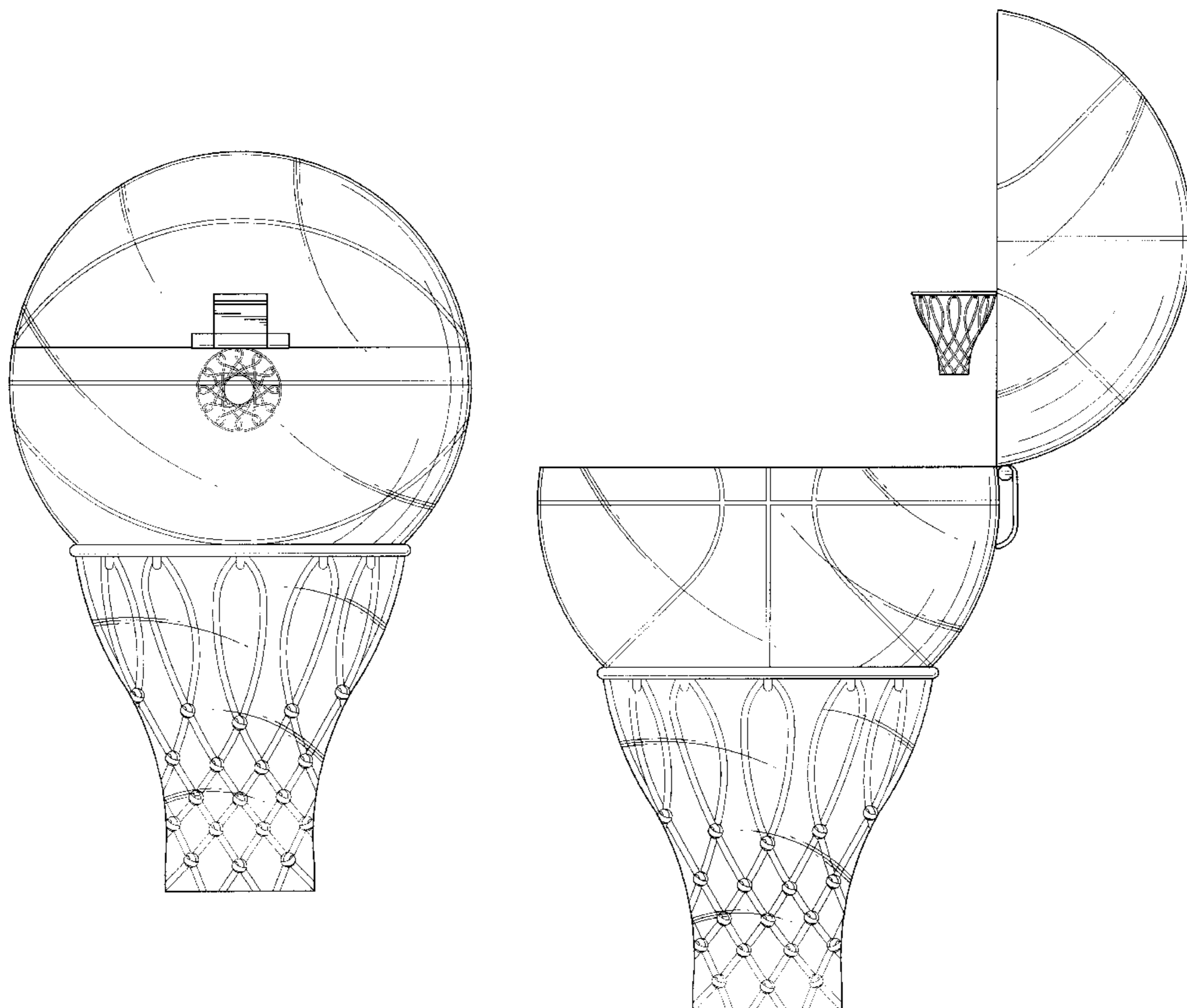
FIG. 5 is a bottom view thereof;

FIG. 6 is a front elevational view of my design showing a lid portion in open position;

FIG. 7 is a right side elevational view of my design showing the lid portion in open position; the left side elevational view is a mirror image thereof; and,

FIG. 8 is a sectional view taken at line 8—8 in FIG. 1.

1 Claim, 6 Drawing Sheets



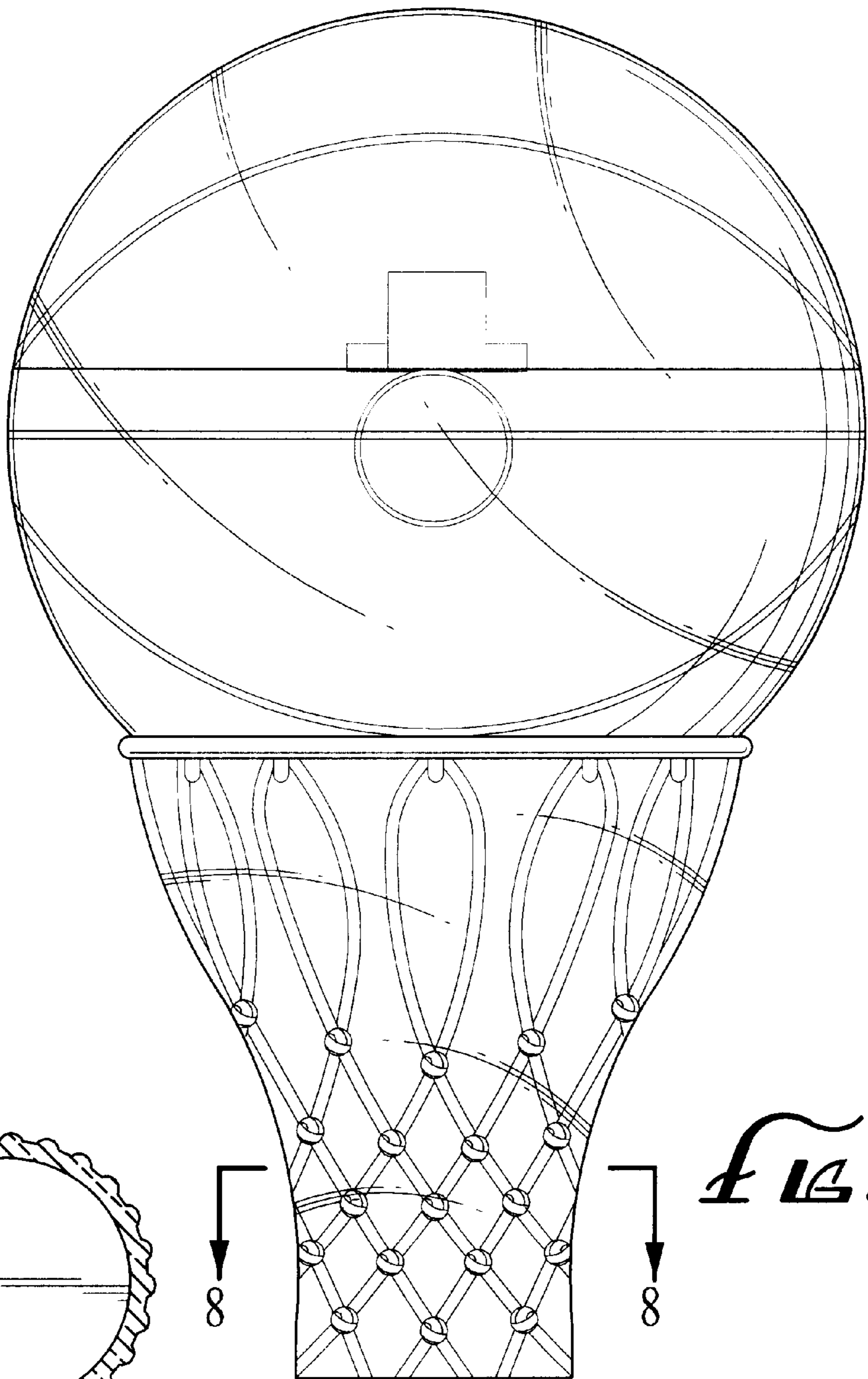


FIG. 1

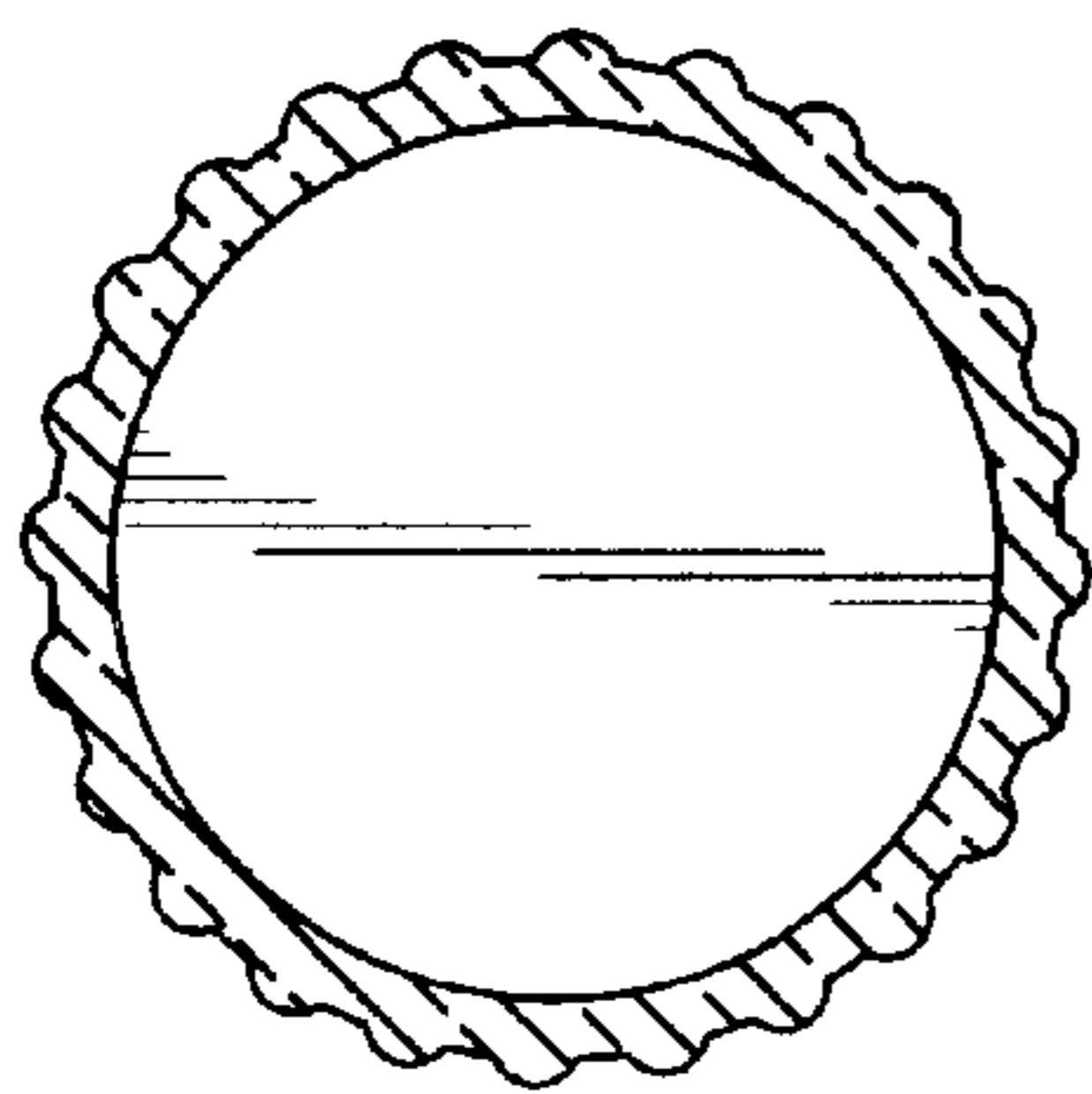


FIG. 2

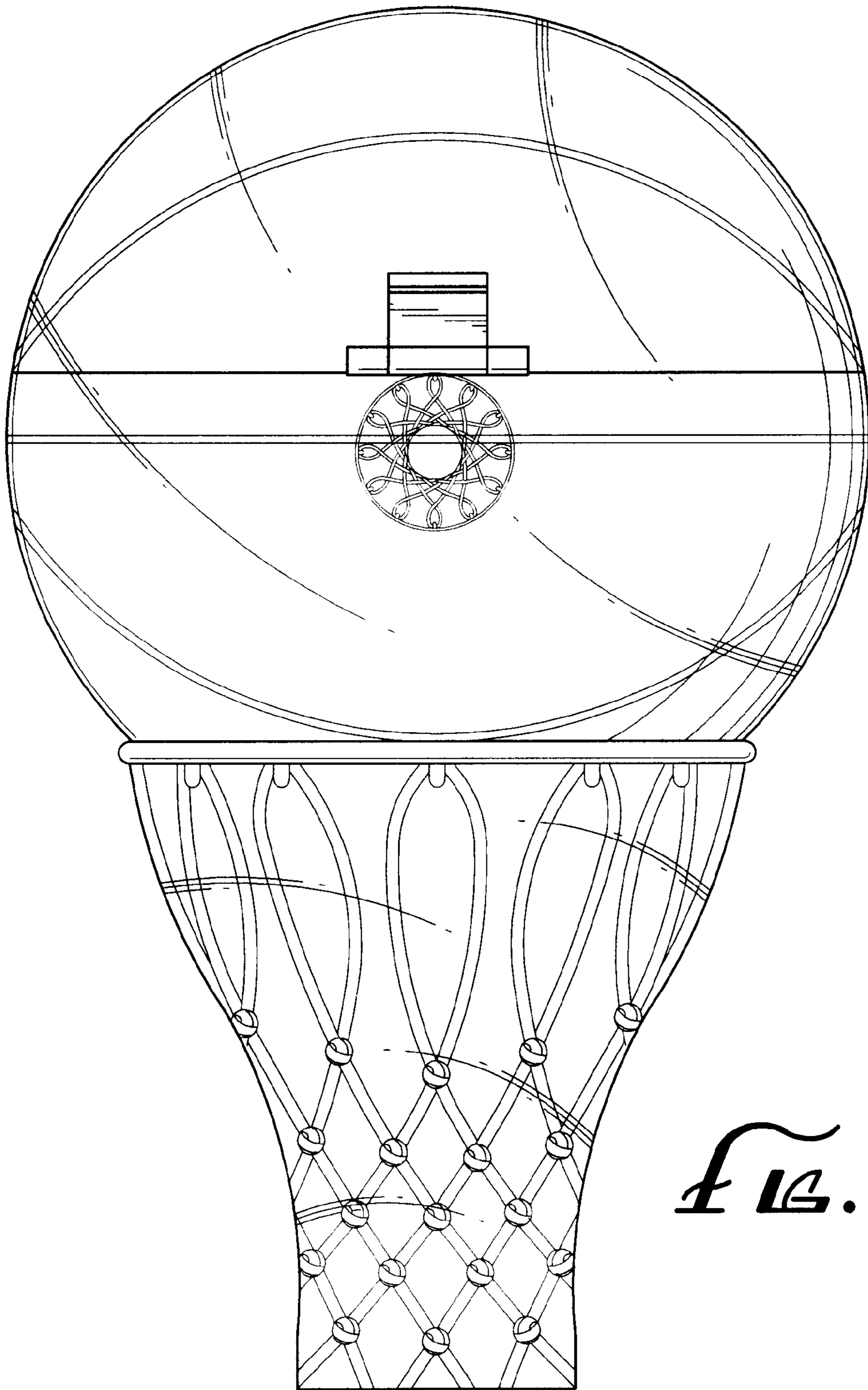


FIG. 2

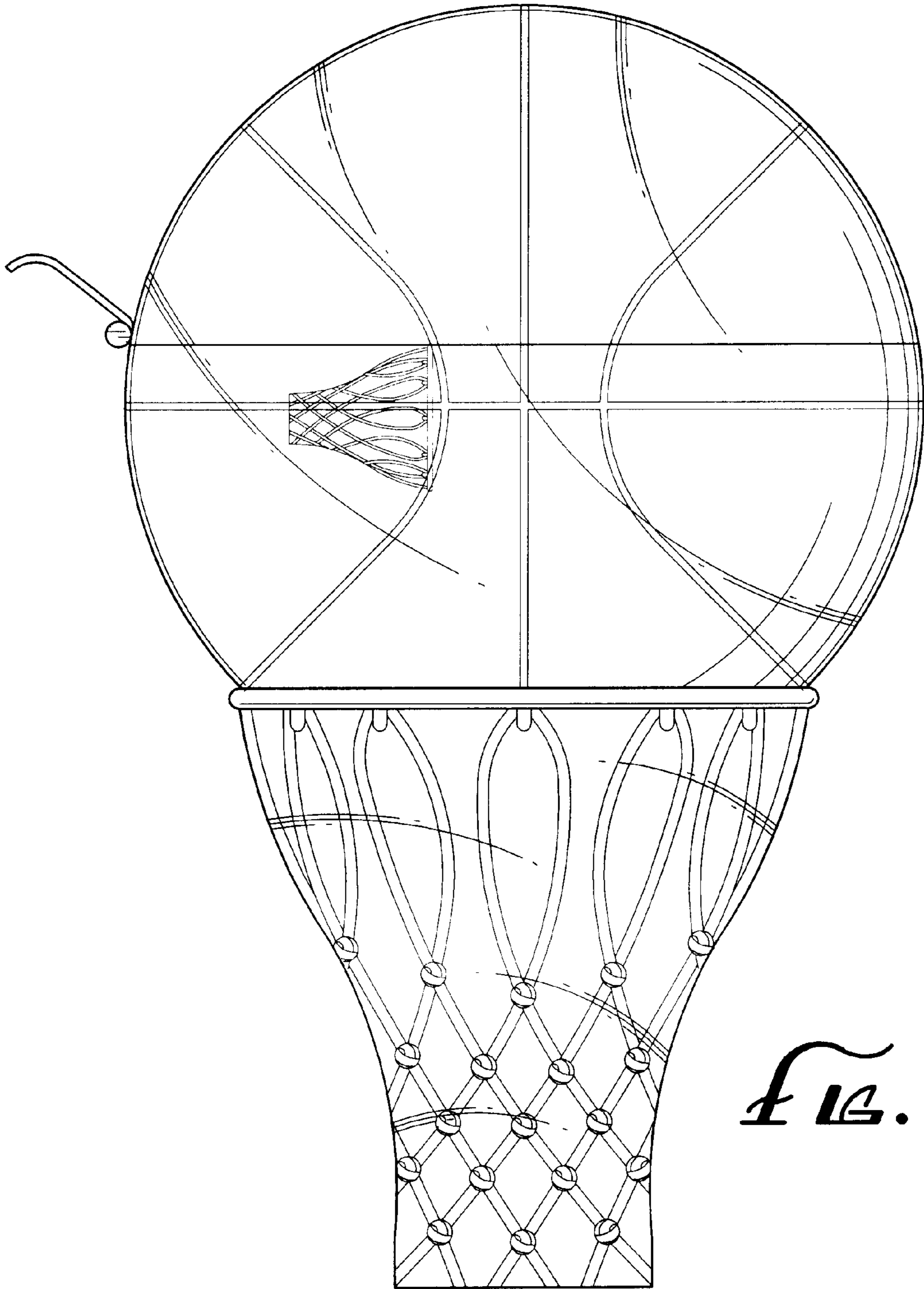


FIG. 3

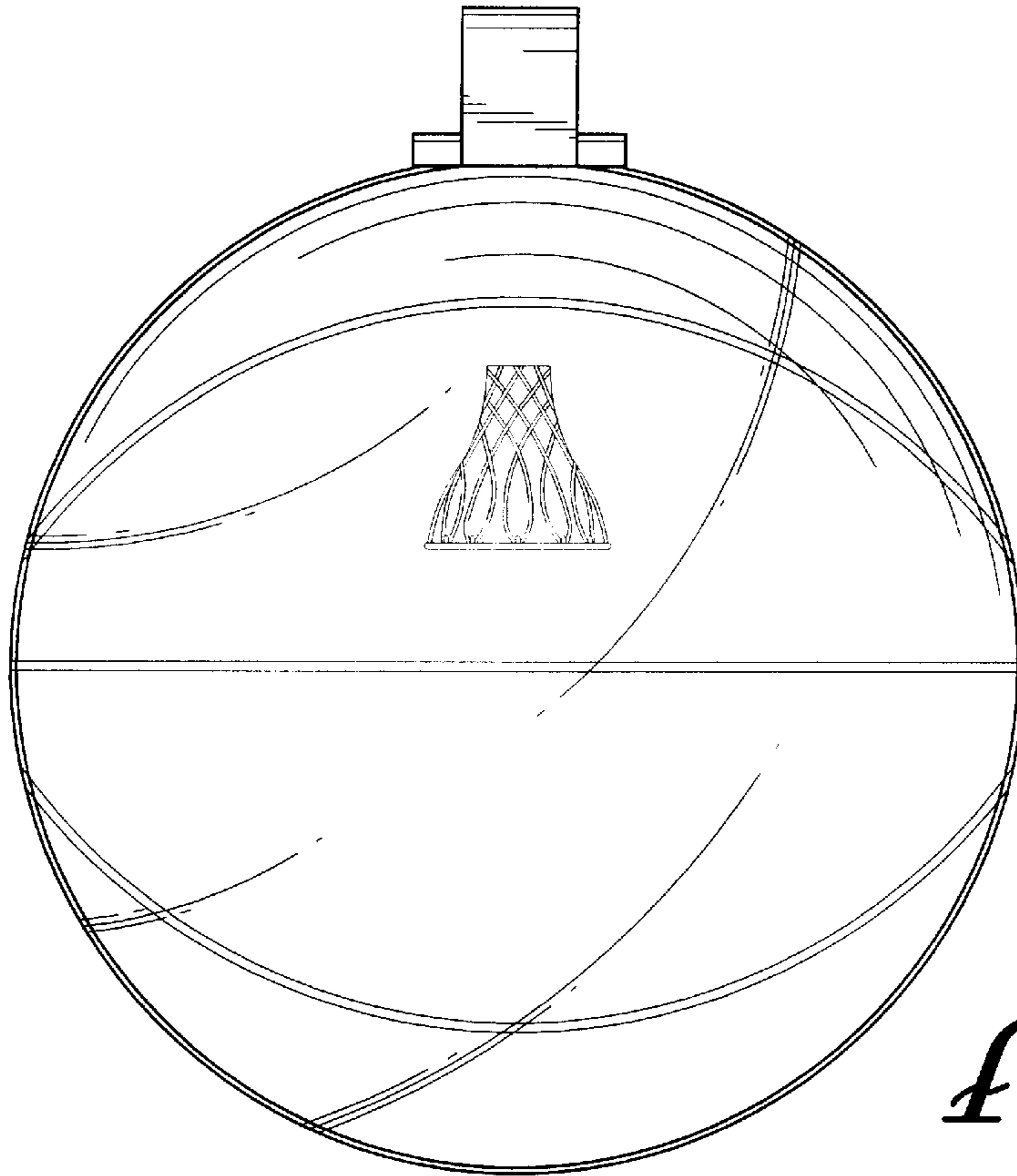


FIG. 4

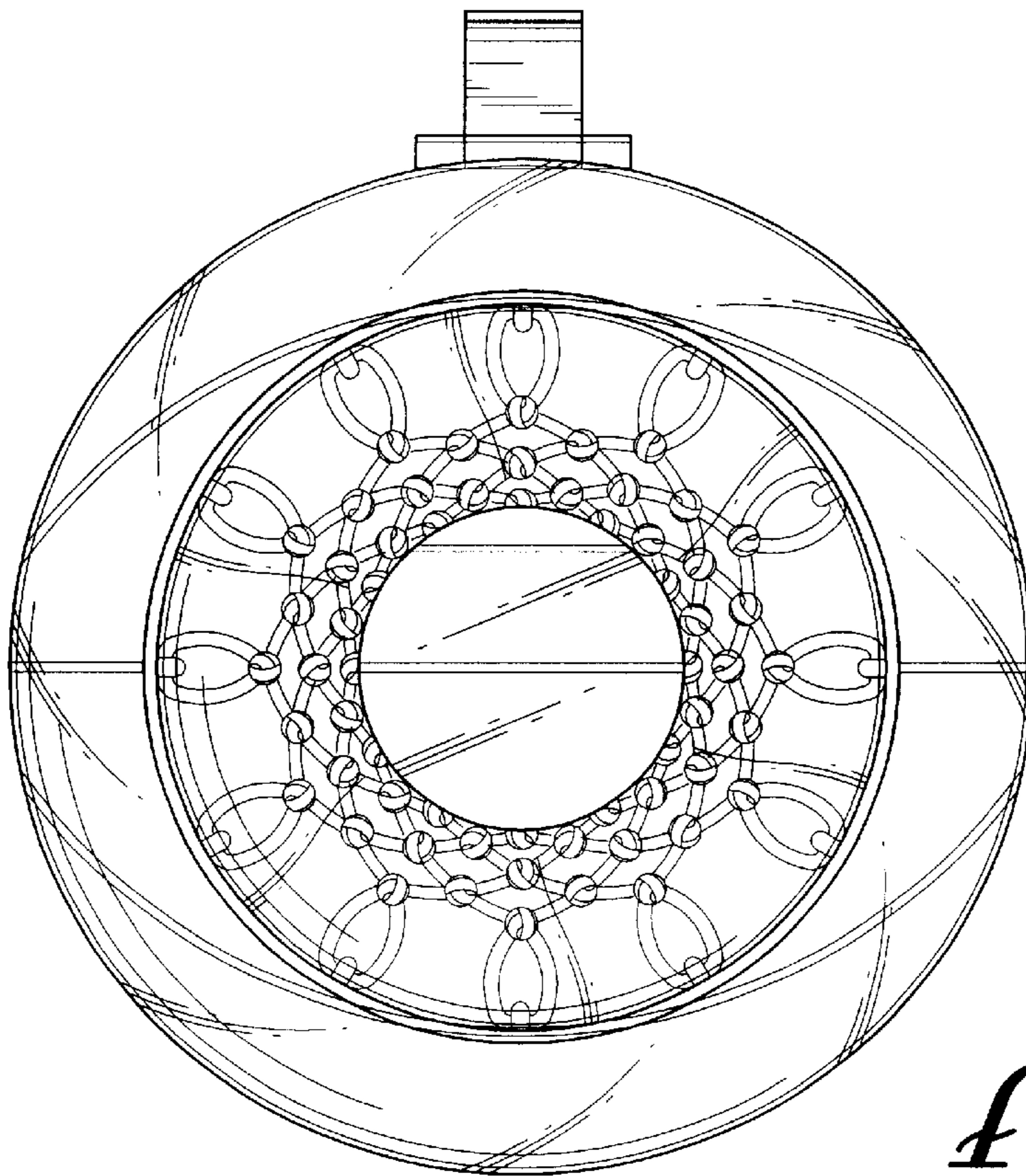


FIG. 5

