



US00D474365S

(12) **United States Design Patent**  
**Valentino**

(10) **Patent No.:** **US D474,365 S**

(45) **Date of Patent:** **\*\* May 13, 2003**

(54) **BEVERAGE DISPENSER**

(76) **Inventor:** **Antonio O. Valentino, Pte. Peron**  
1350 - La Delfina U.F. 374, 1629 Pilar,  
Buenos Aires (AR)

(\*\*) **Term:** **14 Years**

(21) **Appl. No.:** **29/168,569**

(22) **Filed:** **Oct. 7, 2002**

(51) **LOC (7) Cl.** ..... **07-01**

(52) **U.S. Cl.** ..... **D7/306; D7/313; D7/300**

(58) **Field of Search** ..... **D7/300, 301, 306,**  
**D7/307, 308, 313, 322, 305; 222/146.6,**  
**400.7, 396; D20/205; D34/39; 210/465;**  
**D9/325; 220/4.04, 592.19; 215/384; D23/205**

(56) **References Cited**

**U.S. PATENT DOCUMENTS**

D167,222 S	*	7/1952	Parcher	.....	D7/301
D200,755 S	*	4/1965	SeBastian	.....	D20/1
3,865,276 A	*	2/1975	Thompson	.....	222/146.6
D248,658 S	*	7/1978	Buffington	.....	D7/301
D248,717 S	*	8/1978	Little	.....	D7/313
D356,713 S	*	3/1995	Groover	.....	D7/306
D362,990 S	*	10/1995	Losordo	.....	D7/305
D374,959 S	*	10/1996	Mull	.....	D34/39
D382,760 S	*	8/1997	Priest	.....	D7/305
D412,262 S	*	7/1999	Roundtree	.....	D7/307

D419,362 S	*	1/2000	Bouhuys	.....	D7/306
D431,145 S	*	9/2000	Woebcke et al.	.....	D7/306
D443,792 S	*	6/2001	Peters et al.	.....	D7/306
D454,467 S	*	3/2002	Magermans et al.	.....	D7/313
D459,139 S	*	6/2002	Vlooswijk et al.	.....	D7/313
D464,226 S	*	10/2002	Lassota et al.	.....	D7/306

\* cited by examiner

*Primary Examiner*—M. N. Pandozzi

(74) *Attorney, Agent, or Firm*—A. Bordas; J. Sanchelima

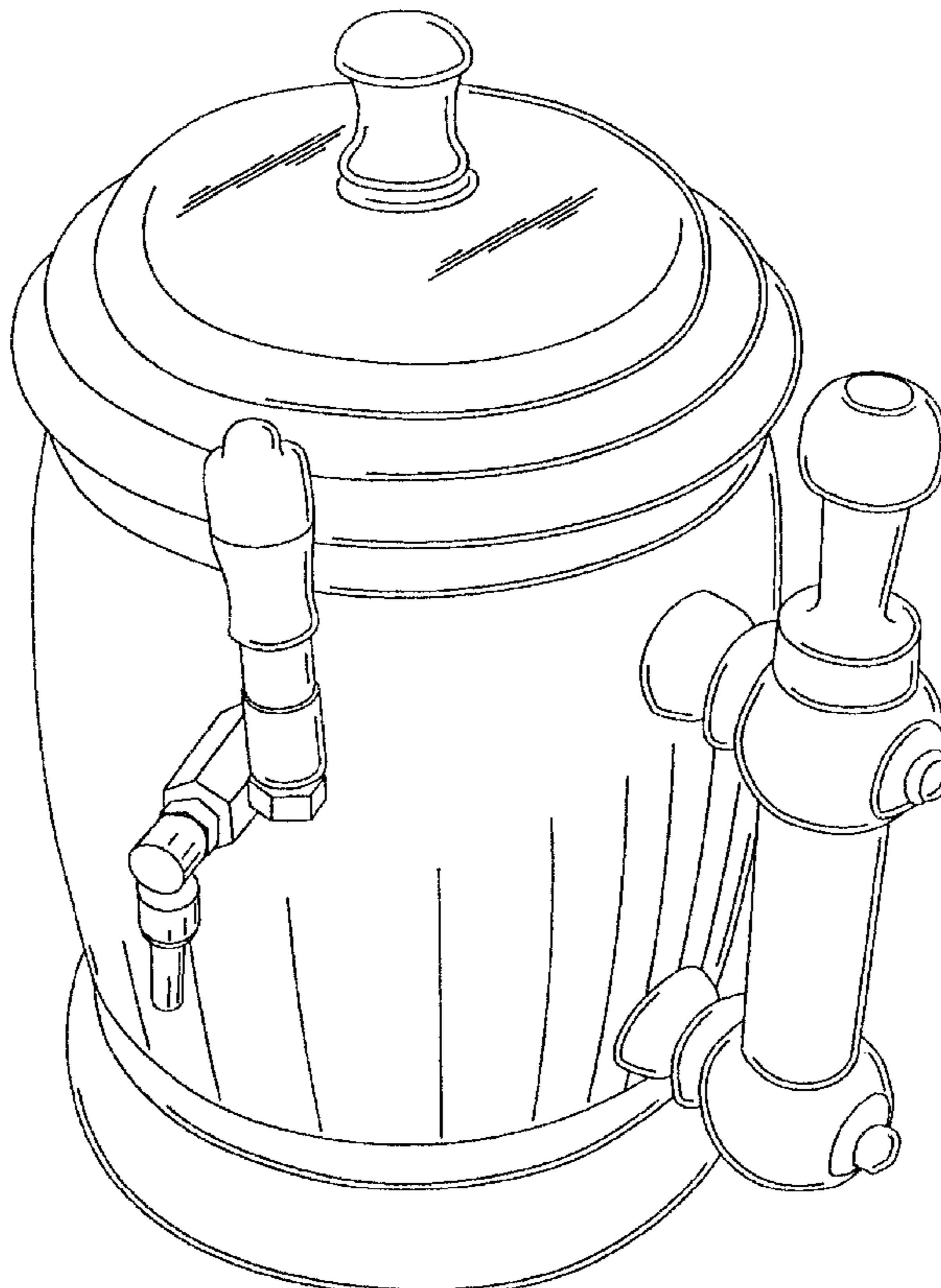
(57) **CLAIM**

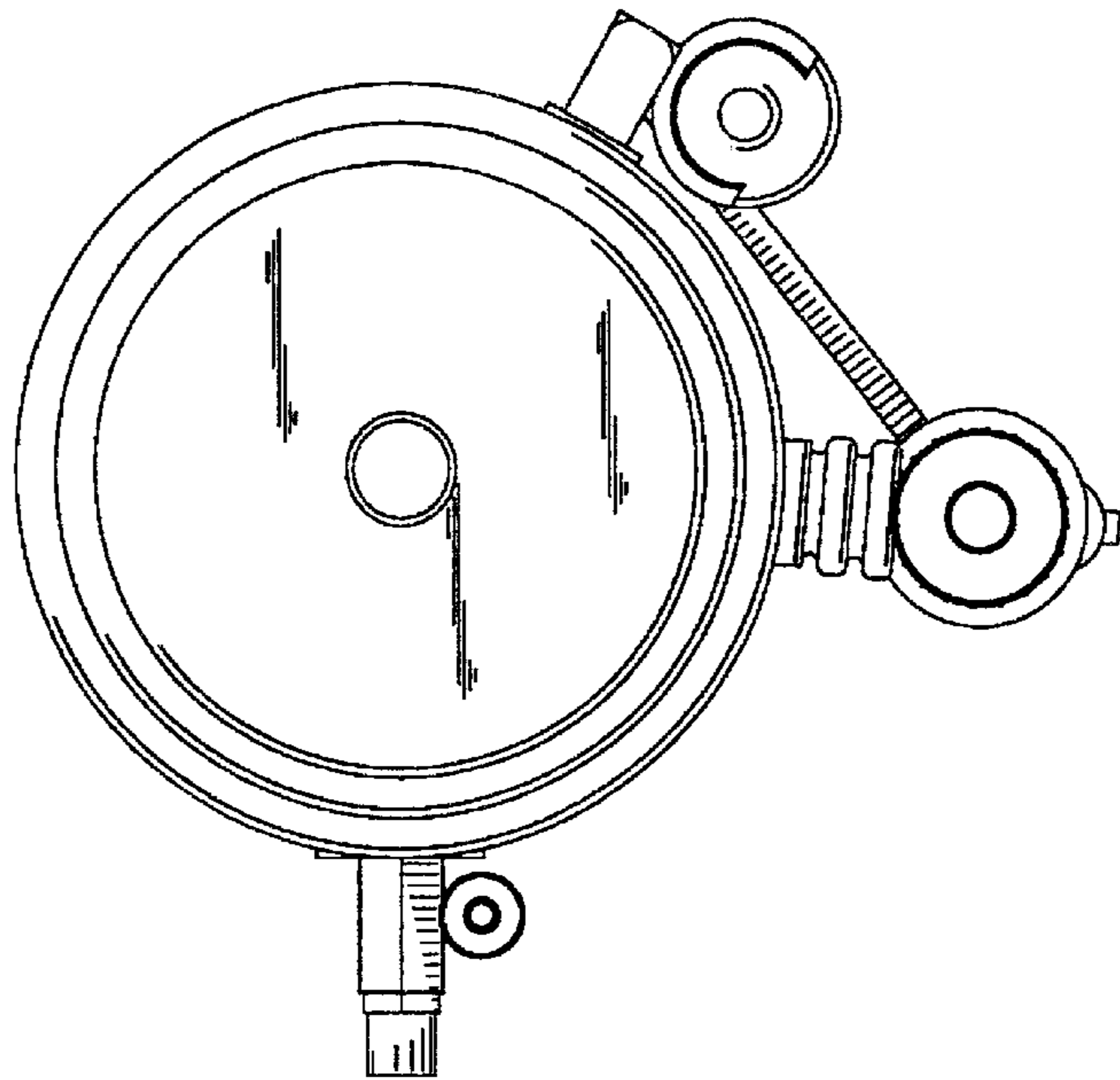
The ornamental design for the beverage dispenser, as shown and described.

**DESCRIPTION**

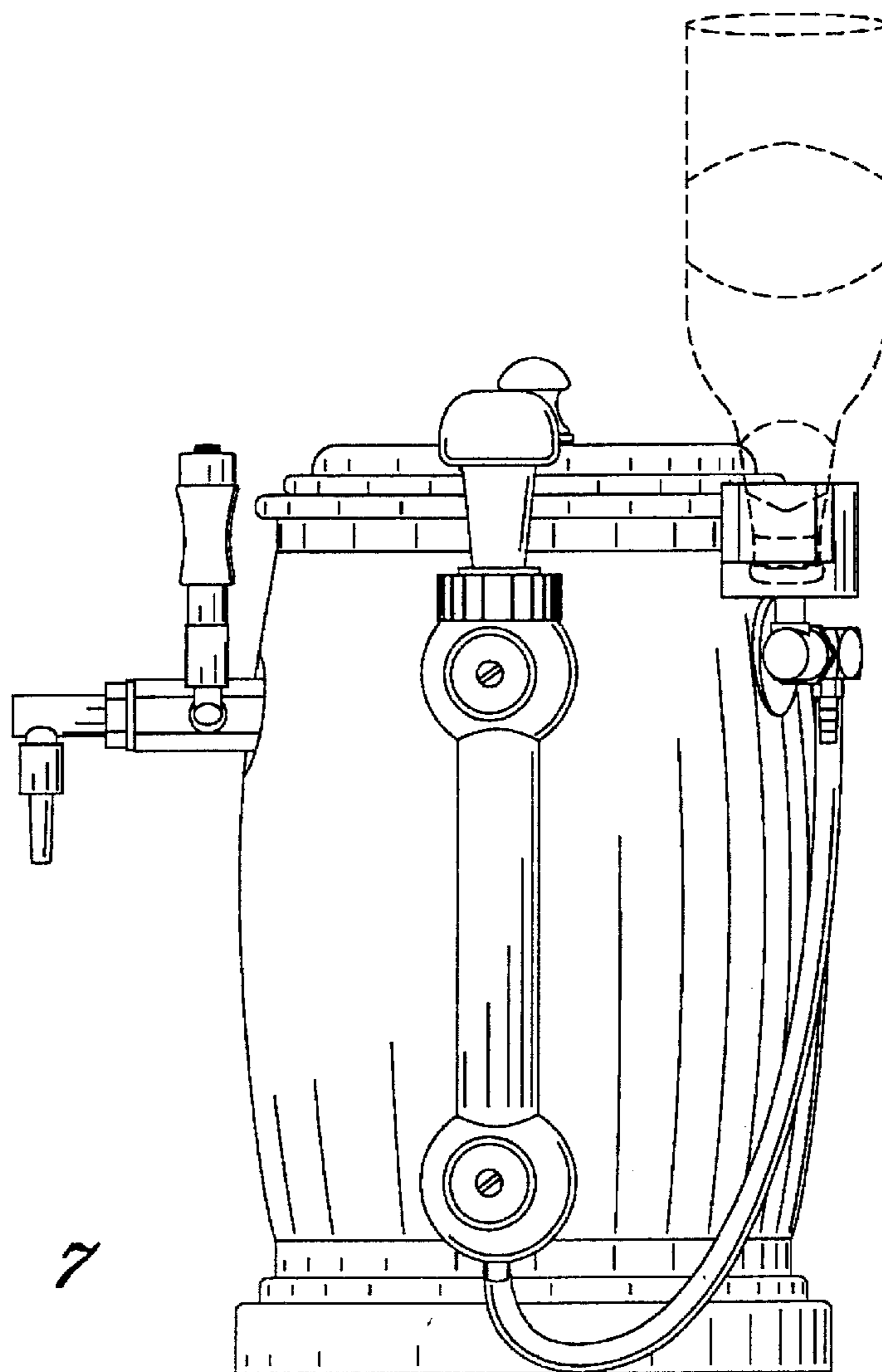
FIG. 1 is a top plan view of a beverage dispenser showing my new design;  
 FIG. 2 is a bottom plan view thereof;  
 FIG. 3 is a front elevational view thereof;  
 FIG. 4 is a side elevational first view thereof;  
 FIG. 5 is a top perspective view thereof;  
 FIG. 6 is a top perspective view thereof taken at 180 degrees from FIG. 5;  
 FIG. 7 is a side elevational view thereof; and,  
 FIG. 8 is a side elevational view thereof.  
 The broken lines are for environmental purposes only and form no part of the claimed design.

**1 Claim, 4 Drawing Sheets**

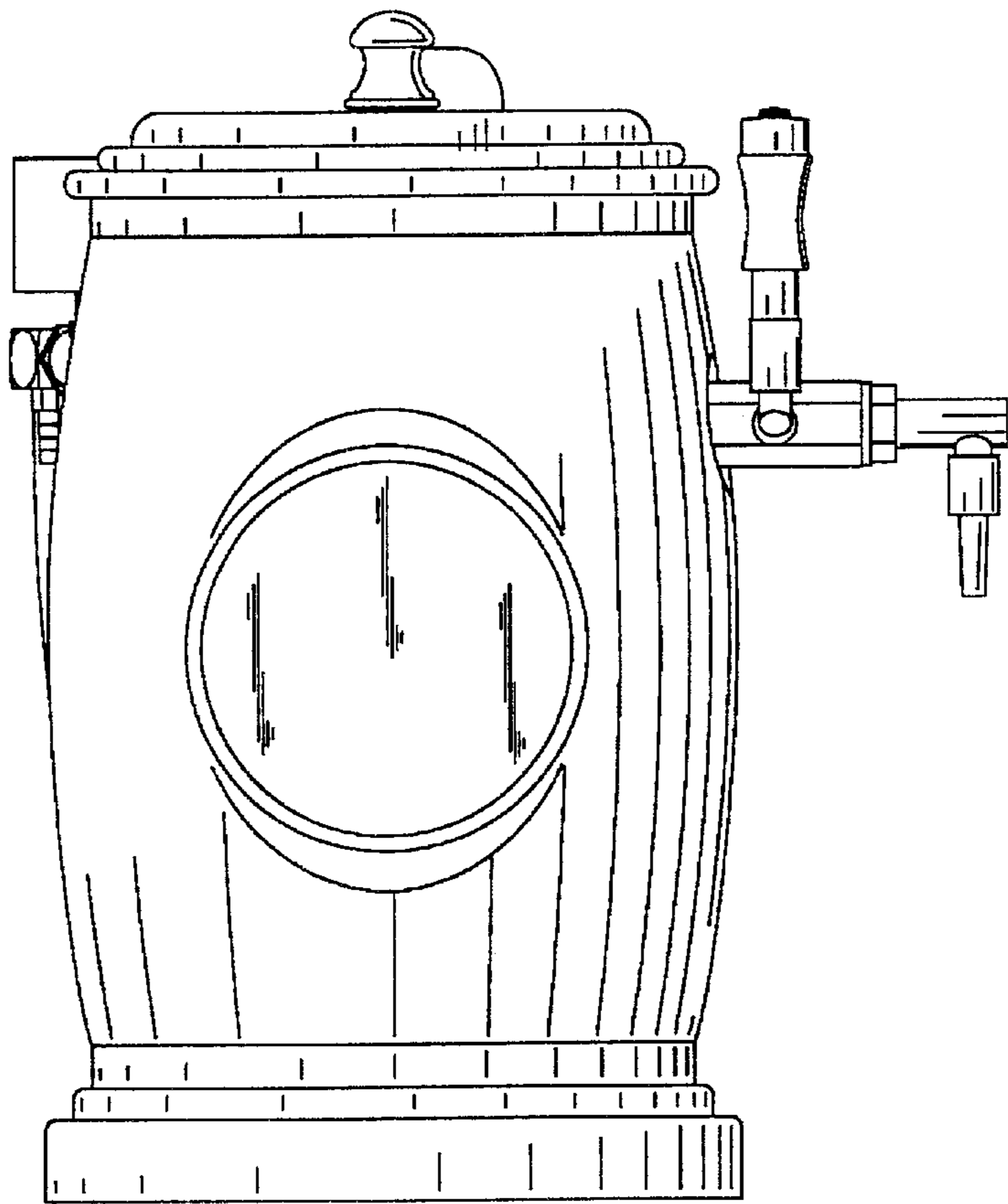




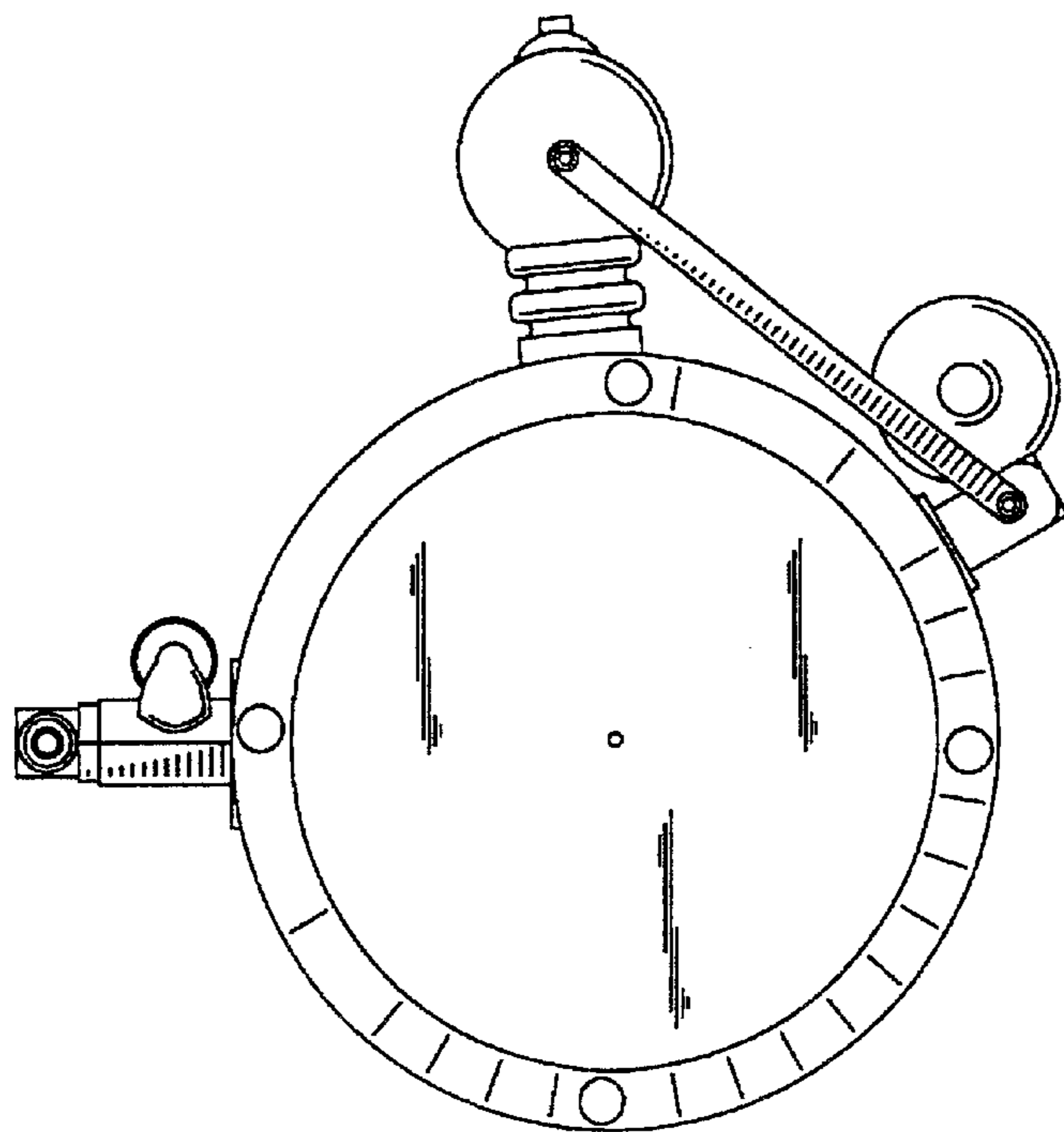
*FIG. 1*



*FIG. 7*

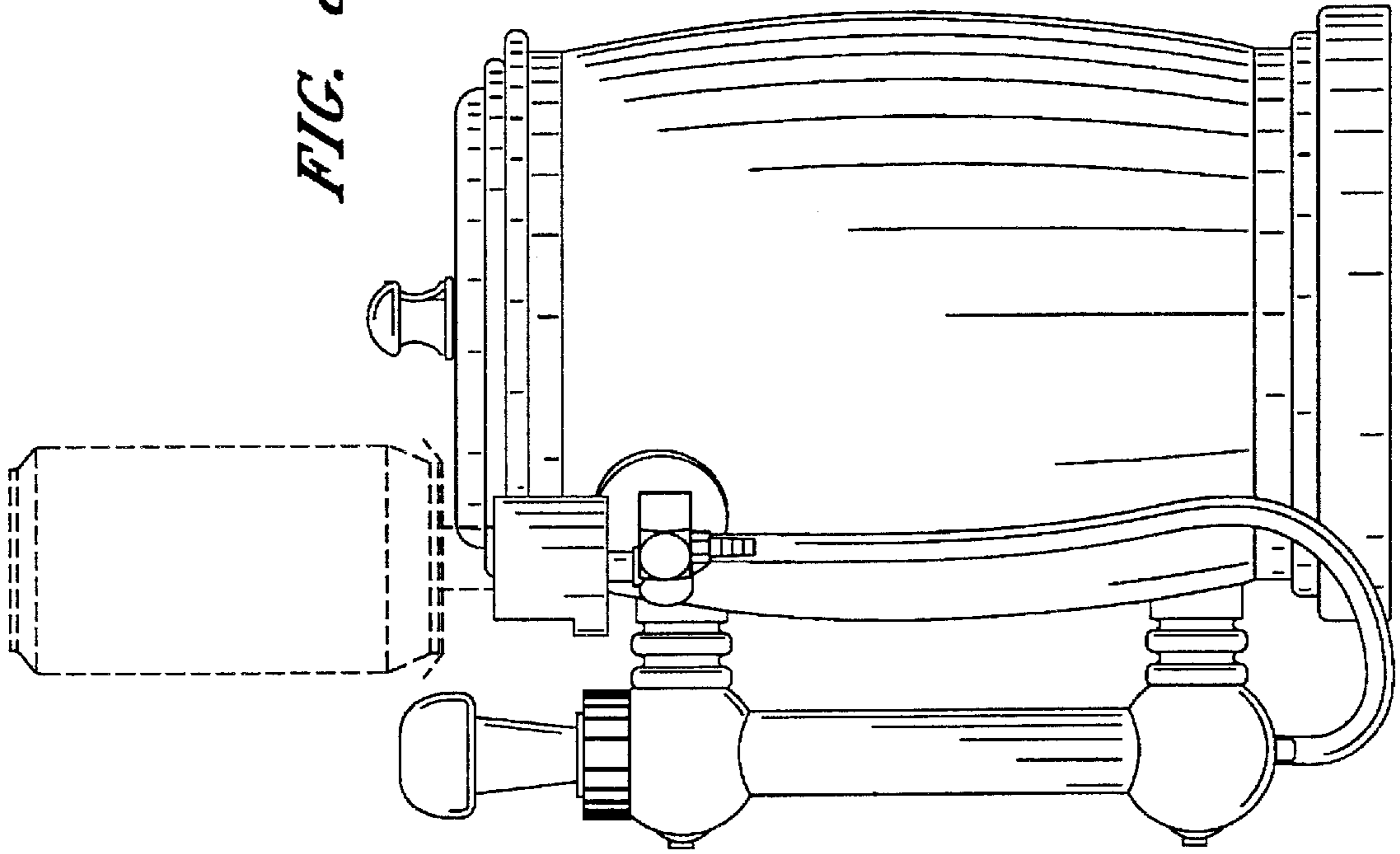


*FIG. 4*

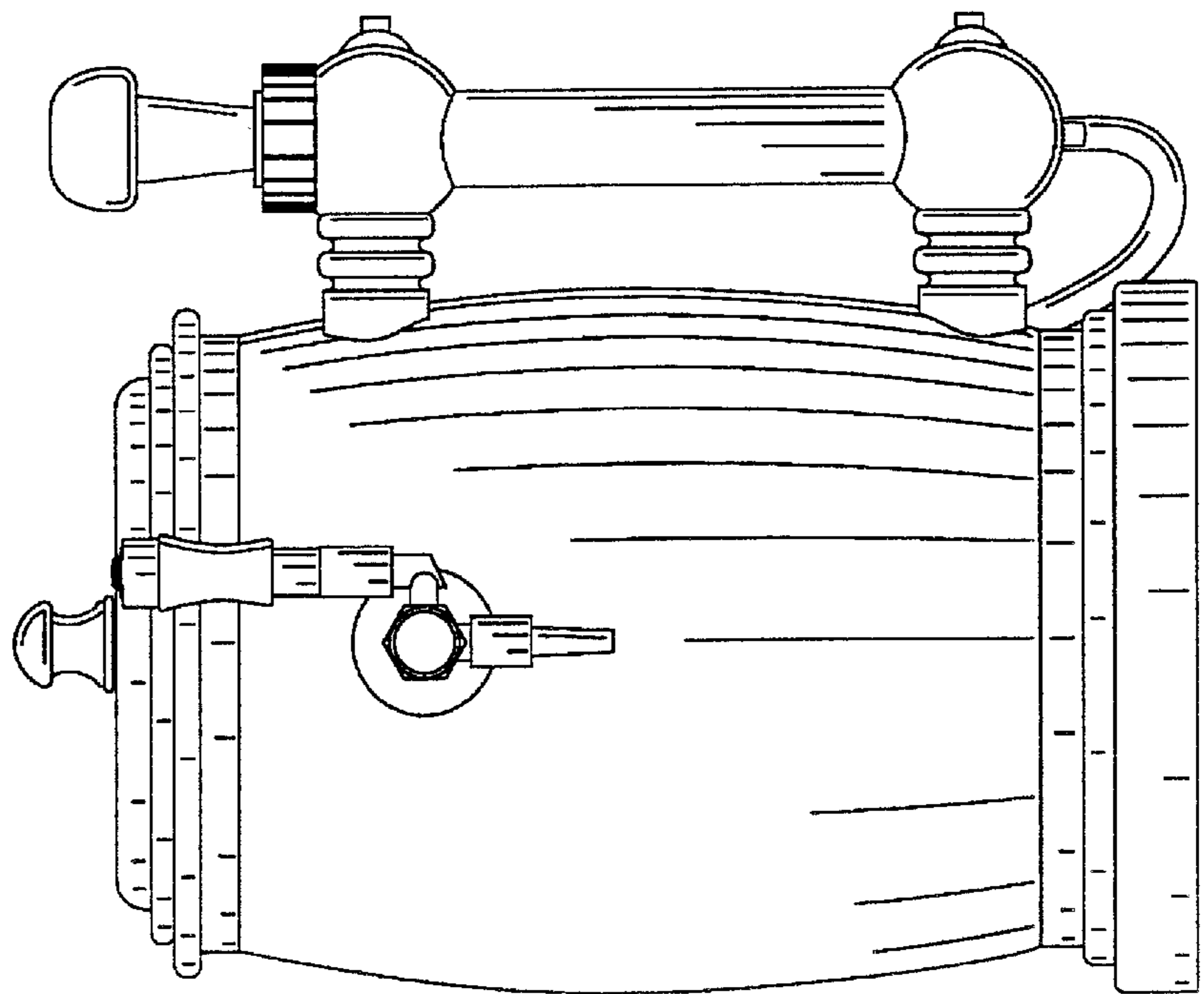


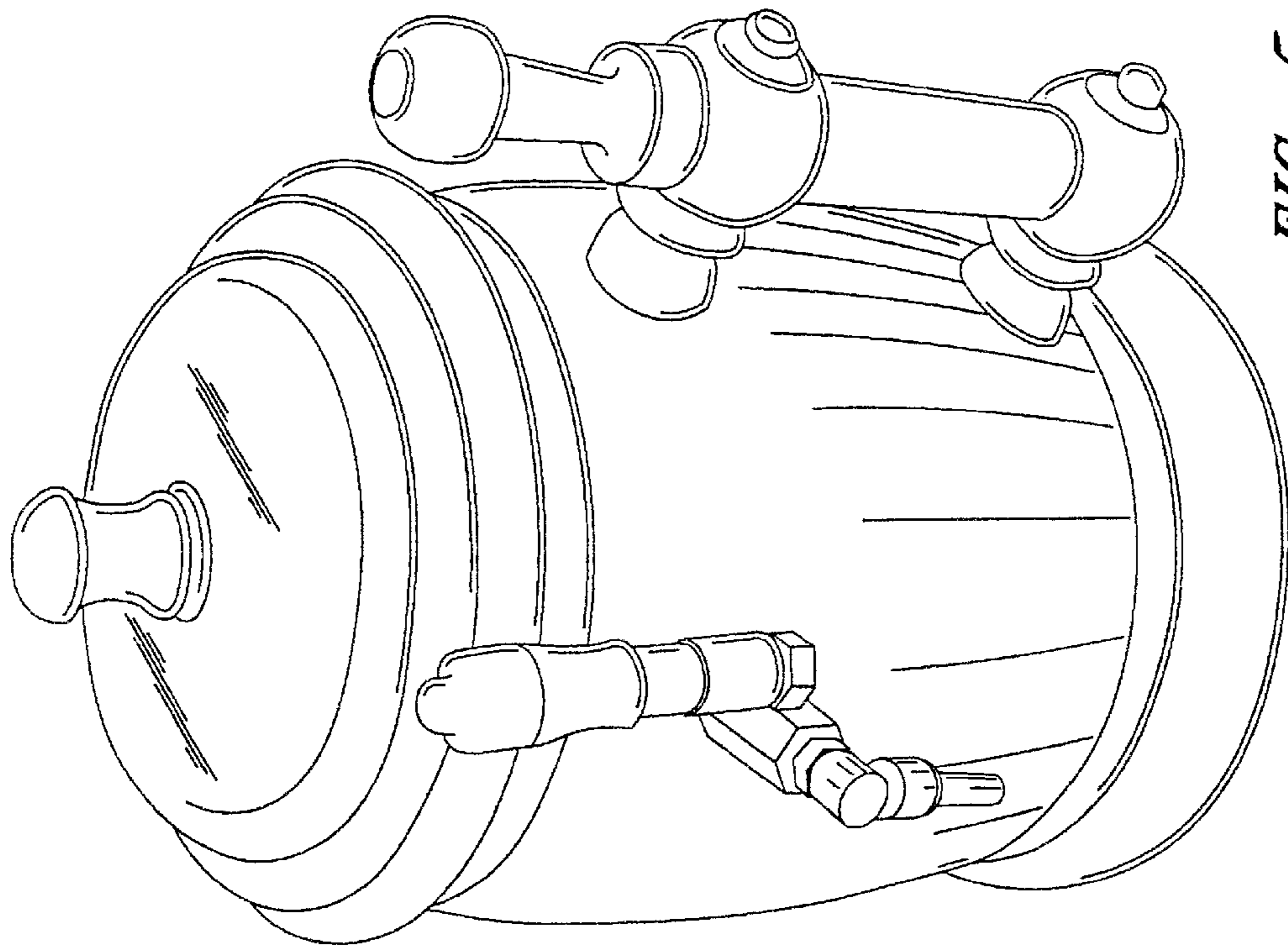
*FIG. 2*

*FIG. 8*

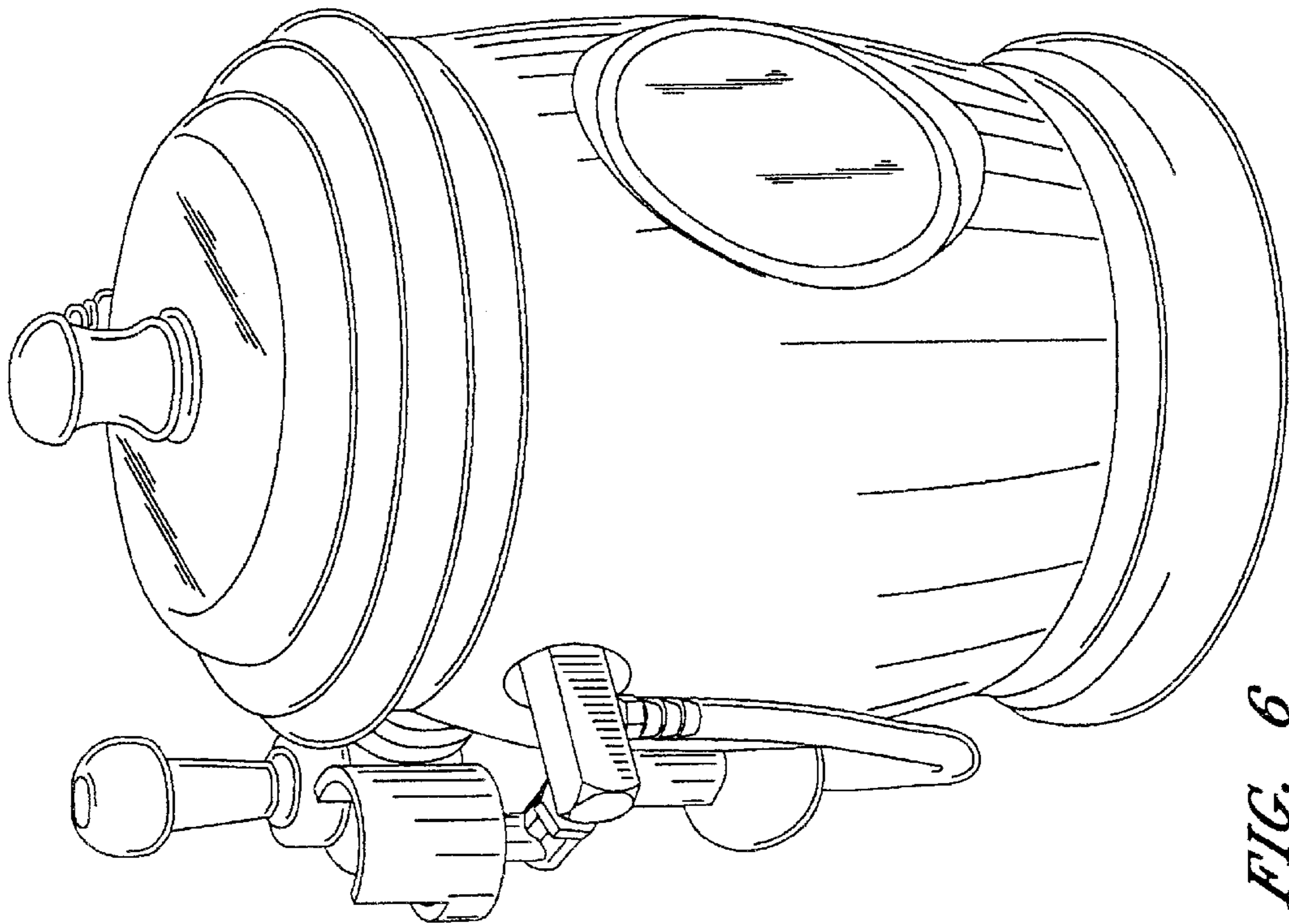


*FIG. 3*





*FIG. 5*



*FIG. 6*