



US00D474363S

(12) **United States Design Patent**
Laughlin

(10) **Patent No.:** **US D474,363 S**

(45) **Date of Patent:** **** May 13, 2003**

(54) **DESK**

(76) Inventor: **Kenneth S. Laughlin**, 1421 W.
Lynnwood Ave., Arlington Heights, IL
(US) 60004

(**) Term: **14 Years**

(21) Appl. No.: **29/157,412**

(22) Filed: **Mar. 19, 2002**

(51) **LOC (7) Cl.** **06-04**

(52) **U.S. Cl.** **D6/555**

(58) **Field of Search** D6/555, 567, 574;
312/126, 128-129, 204, 231, 234, 242,
245; 211/13.1, 14, 34-35, 69.1, 70.6, 70.7,
90

(56) **References Cited**

U.S. PATENT DOCUMENTS

D174,785 S	*	5/1955	Tompkins	D6/555
D295,007 S	*	4/1988	Hardy et al.	D6/555
D305,632 S	*	1/1990	Kraklio	D6/555 X
D395,185 S	*	6/1998	Neufeld et al.	D6/555
D422,441 S	*	4/2000	Perelli	D6/555

* cited by examiner

Primary Examiner—Brian N. Vinson

(74) *Attorney, Agent, or Firm*—Baniak Pine & Gannon

(57) **CLAIM**

The ornamental design for a desk, as shown and described.

DESCRIPTION

FIG. 1 is a perspective view of a desk according to the present invention with a writing surface thereof in an open position;

FIG. 2 is a left side elevational view thereof;

FIG. 3 is a right side elevational view thereof;

FIG. 4 is a front elevational view thereof;

FIG. 5 is a rear elevational view thereof;

FIG. 6 is a top plan view thereof;

FIG. 7 is bottom plan view thereof;

FIG. 8 is a perspective view of the desk of the present invention with the writing surface closed;

FIG. 9 is a left side elevational view of FIG. 8;

FIG. 10 is a right side elevational view of FIG. 8;

FIG. 11 is a front elevational view of FIG. 8;

FIG. 12 is a rear elevational view of FIG. 8;

FIG. 13 is a top plan view of FIG. 8; and,

FIG. 14 is a bottom plan view of FIG. 8.

1 Claim, 9 Drawing Sheets

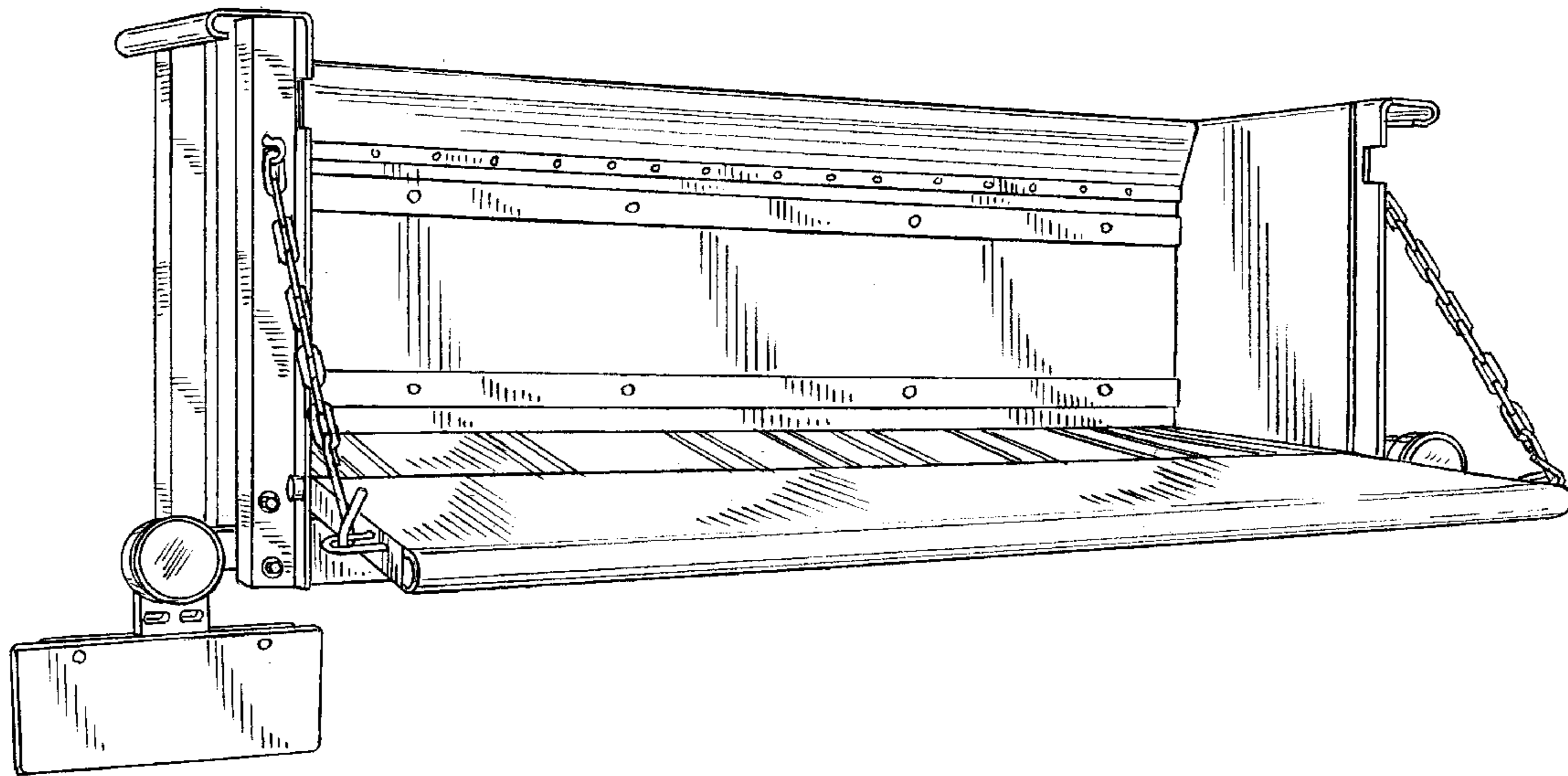


FIG. 1

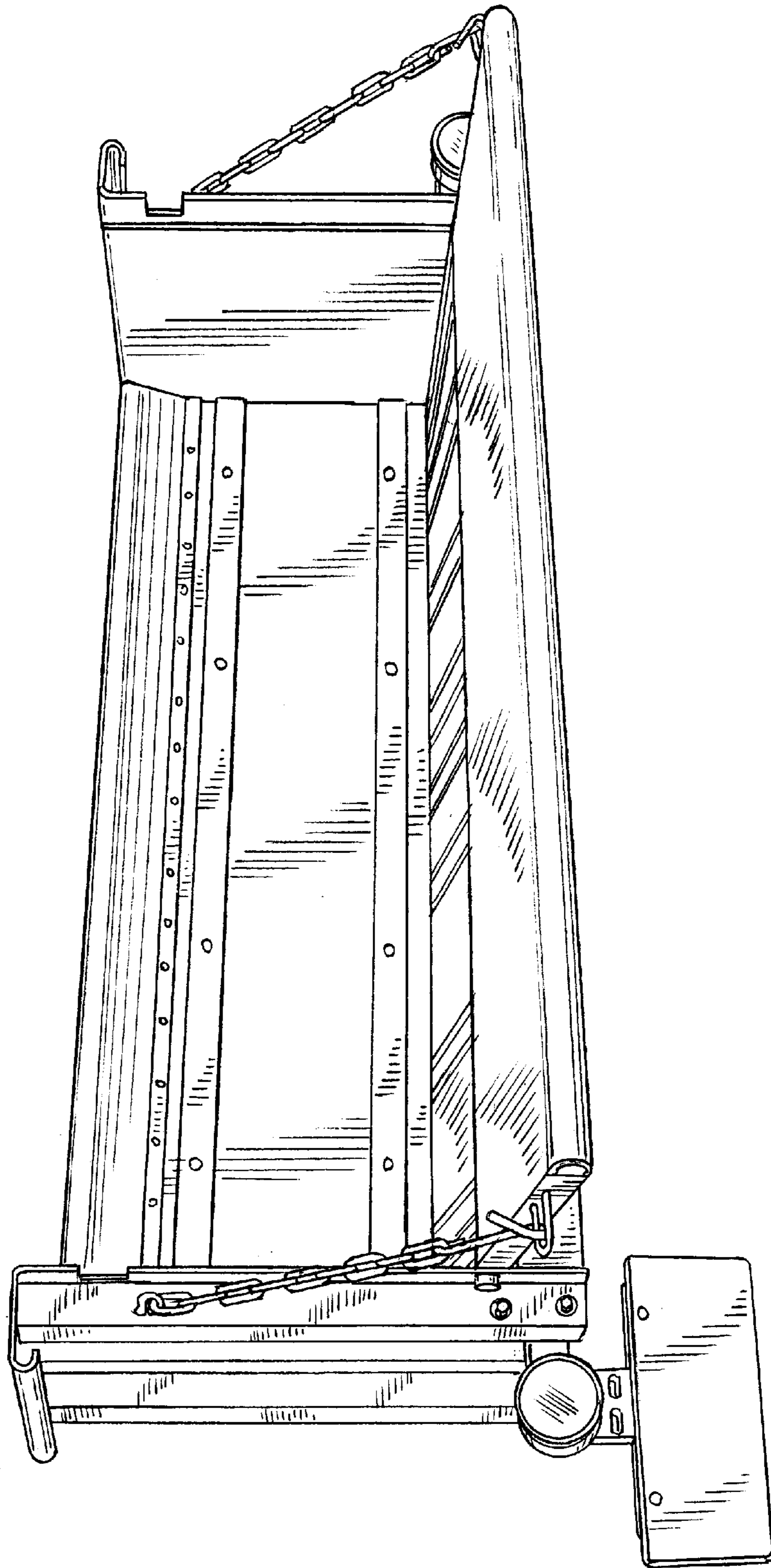


FIG.2

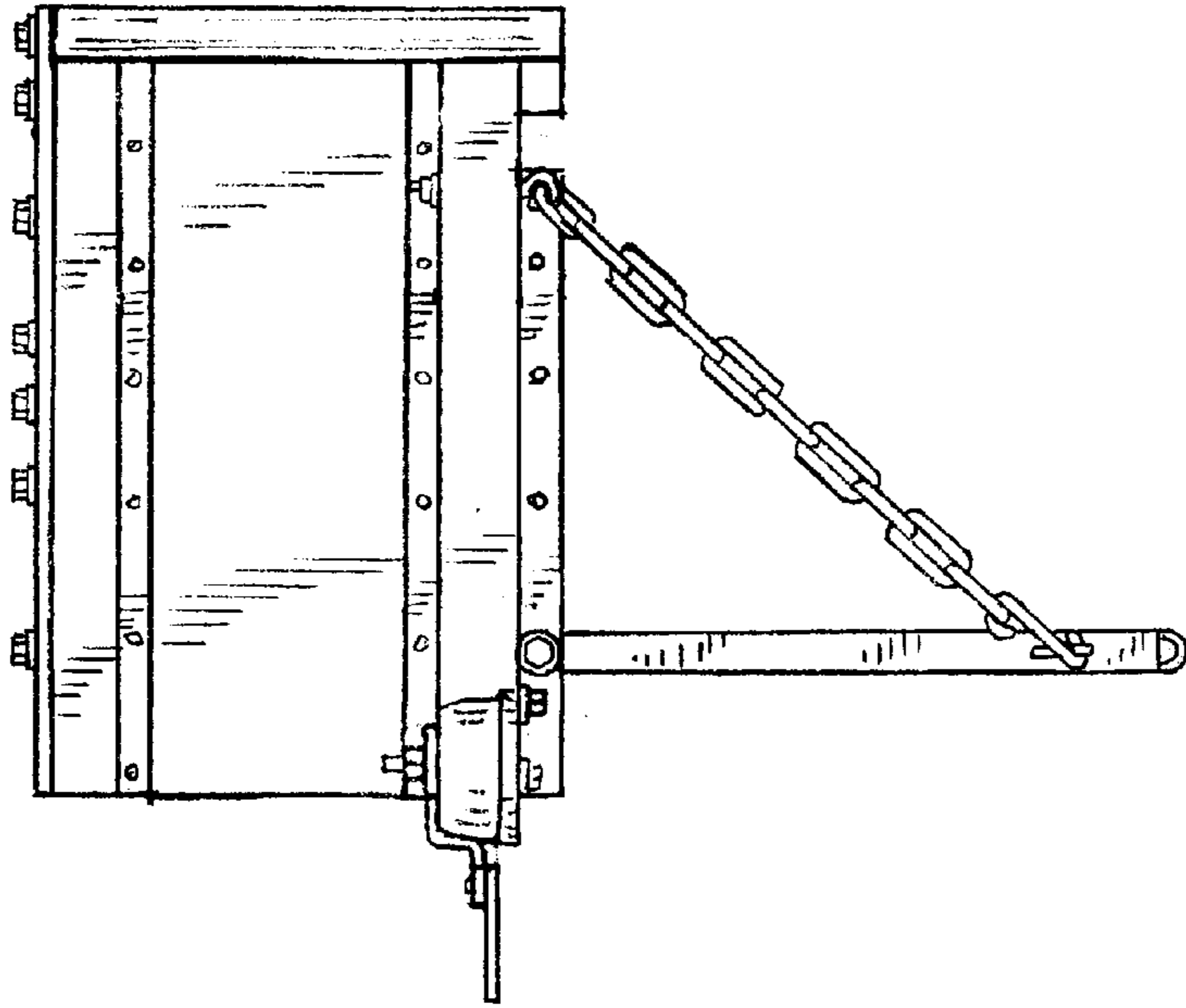
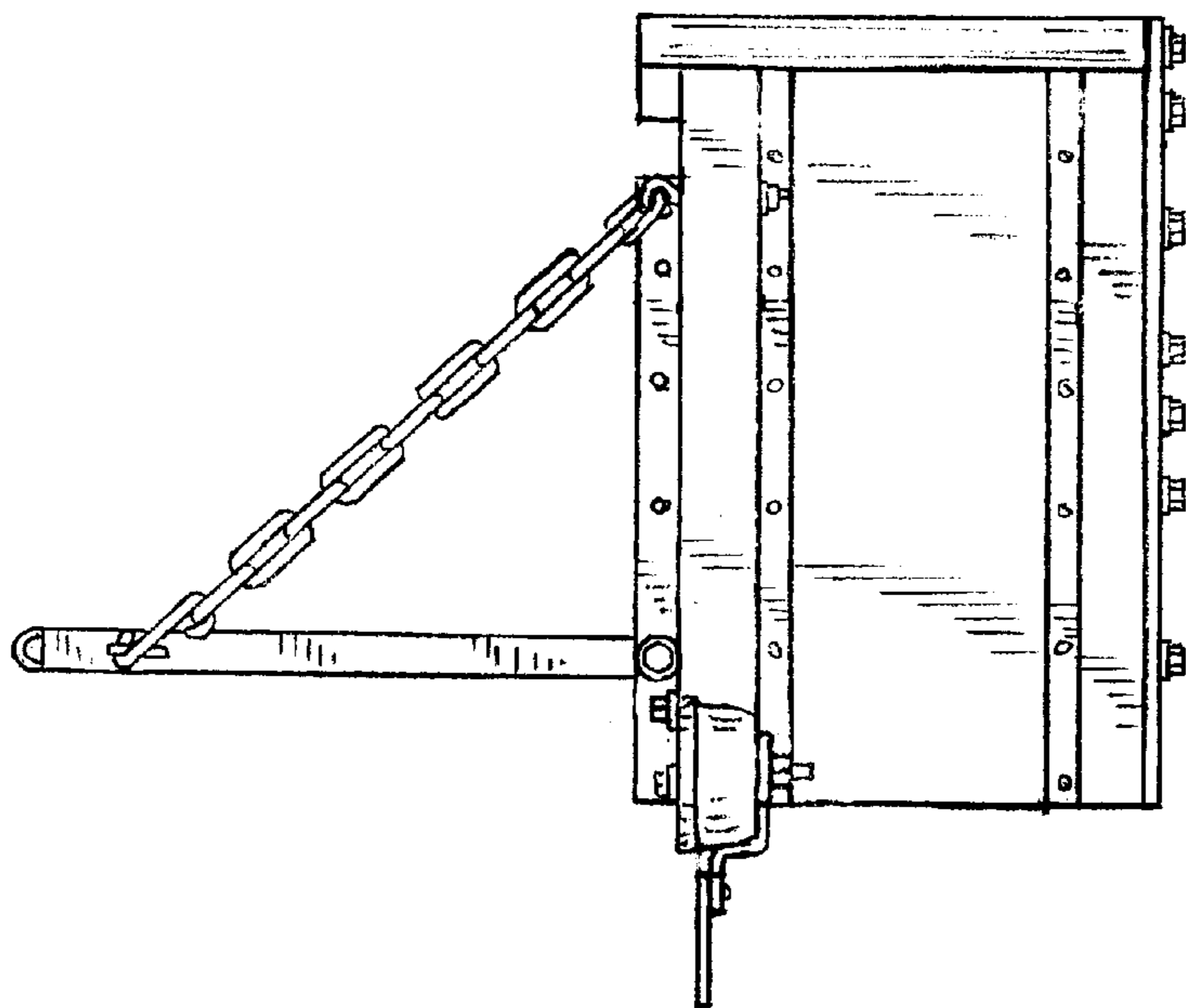


FIG.3



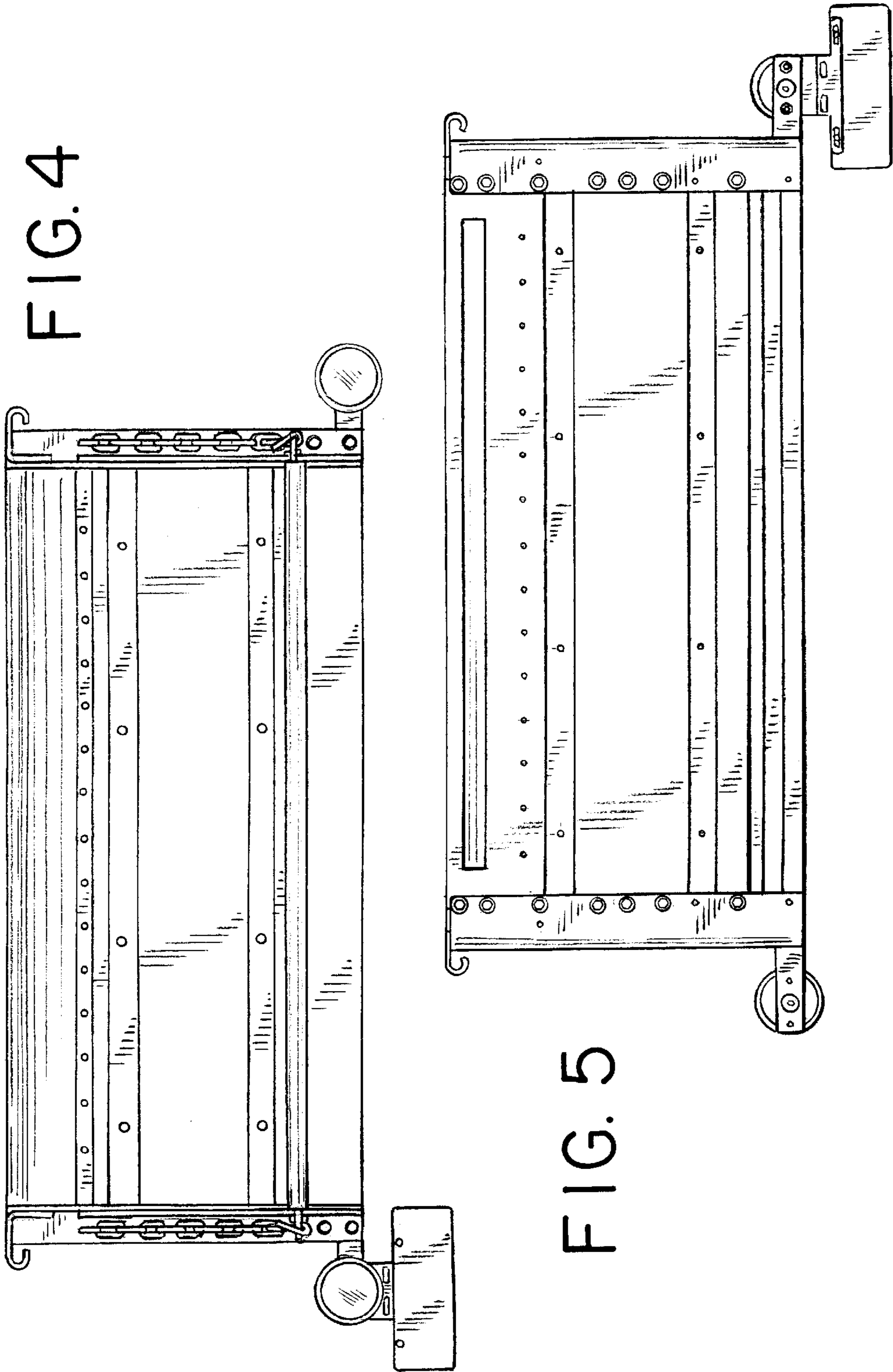


FIG. 4

FIG. 5

FIG. 6

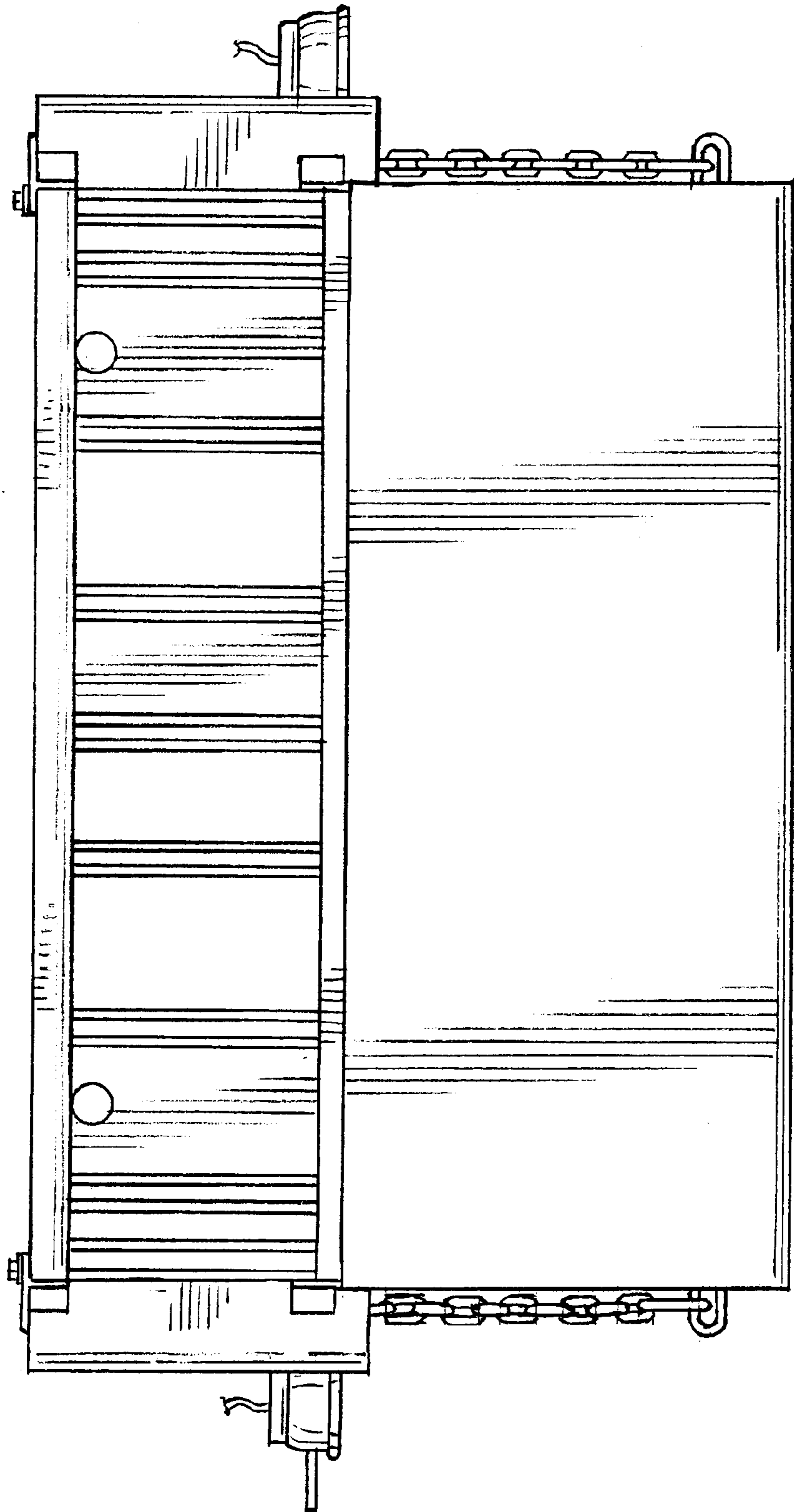


FIG. 7

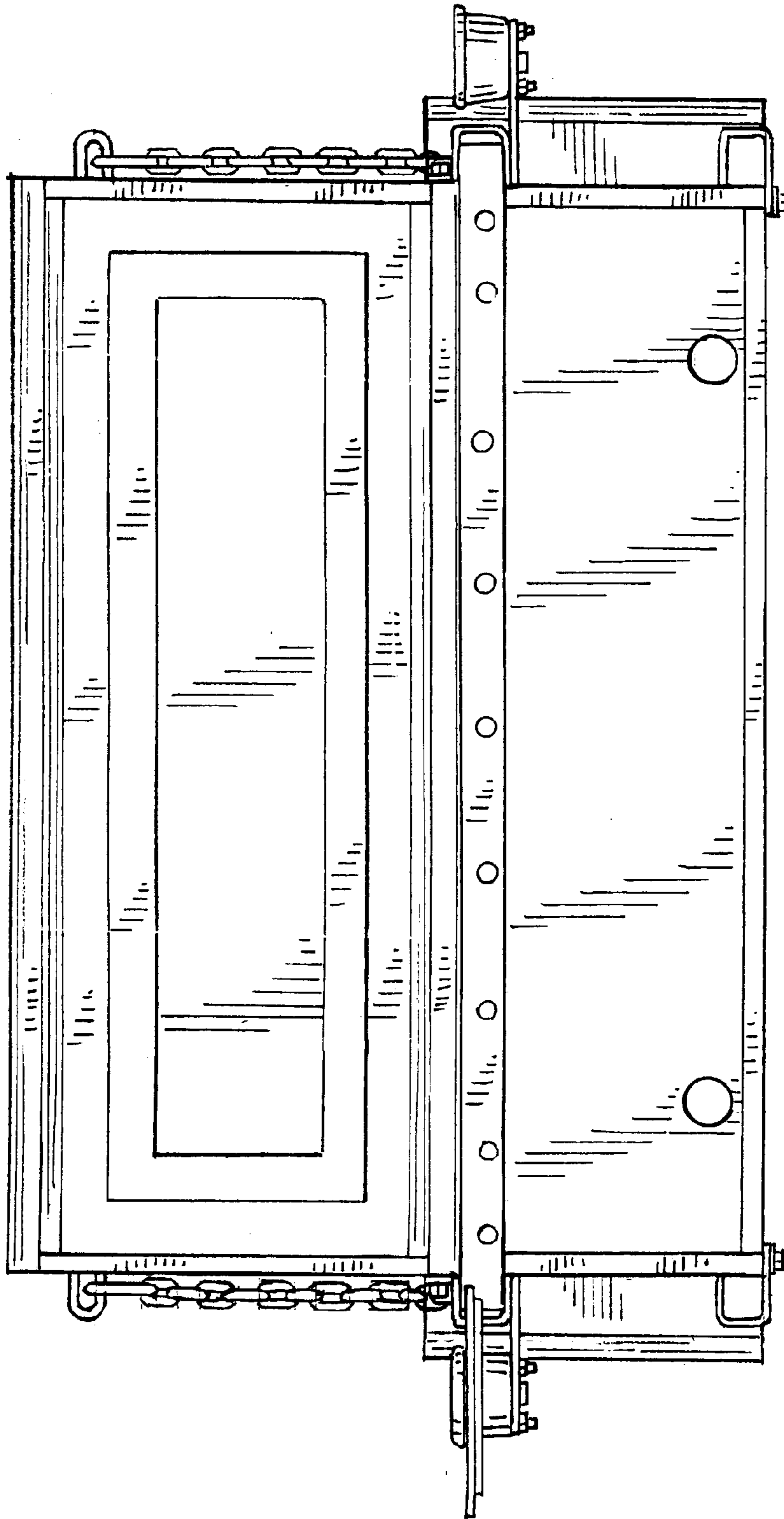


FIG. 8

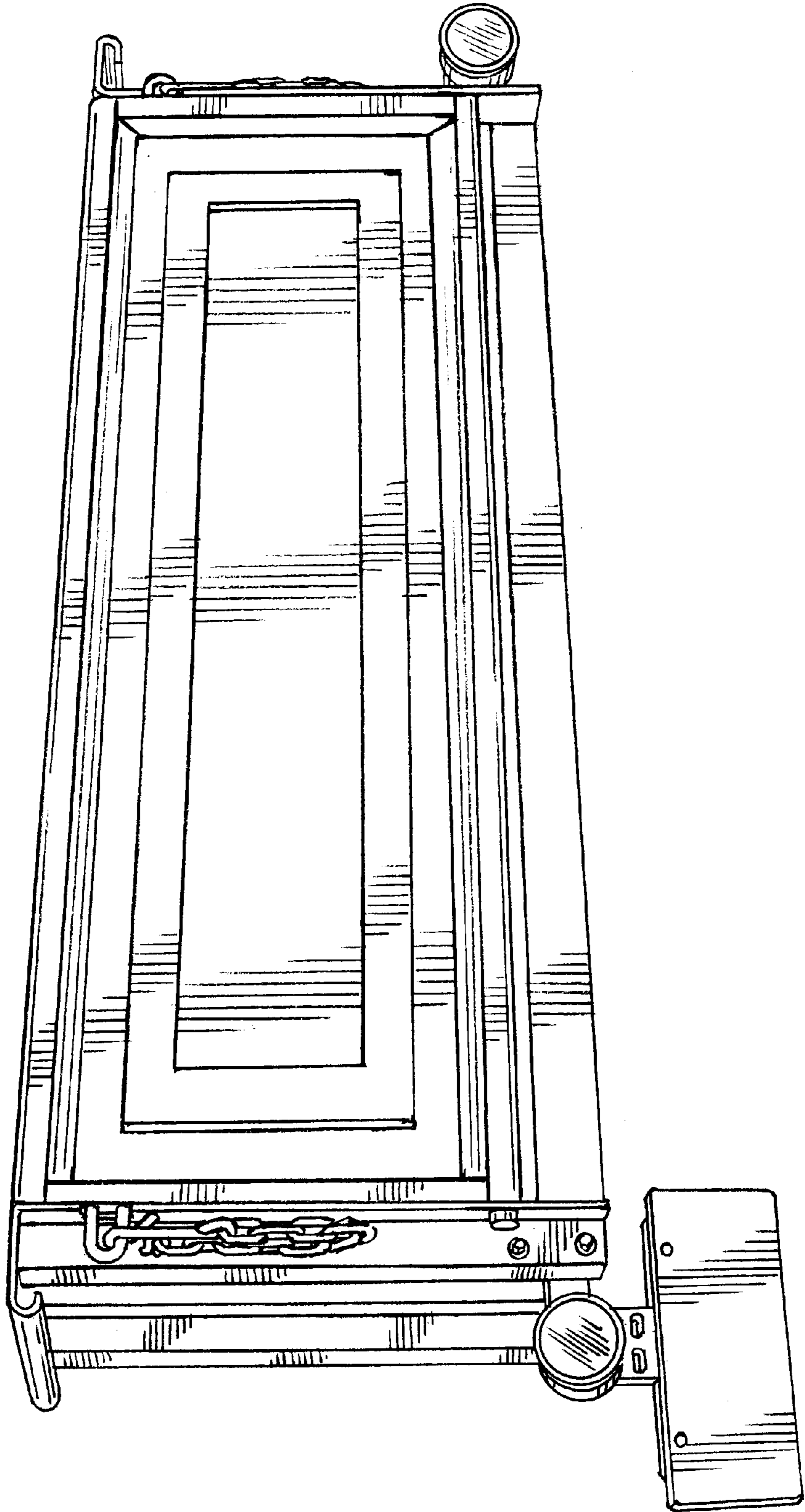


FIG. 9

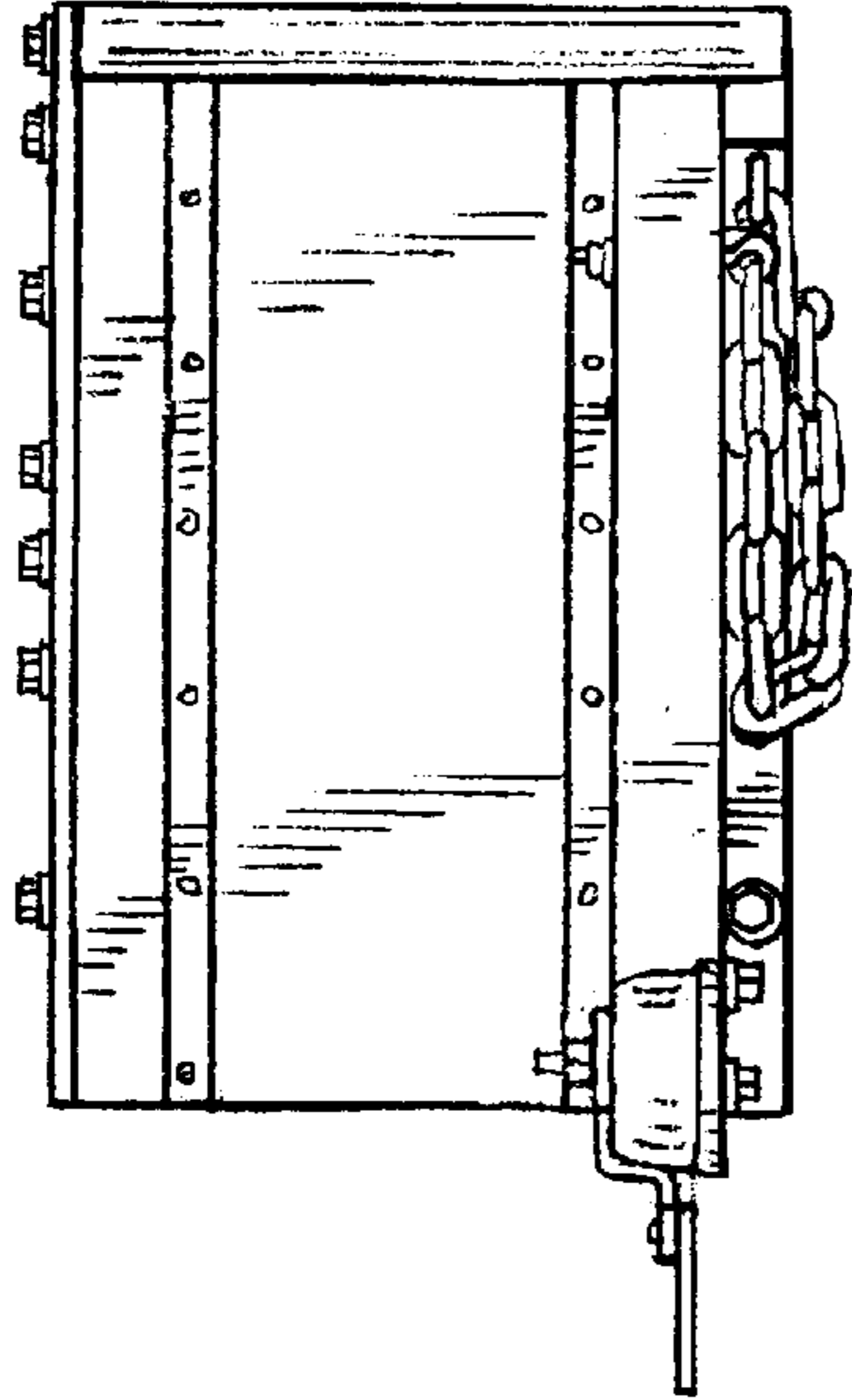
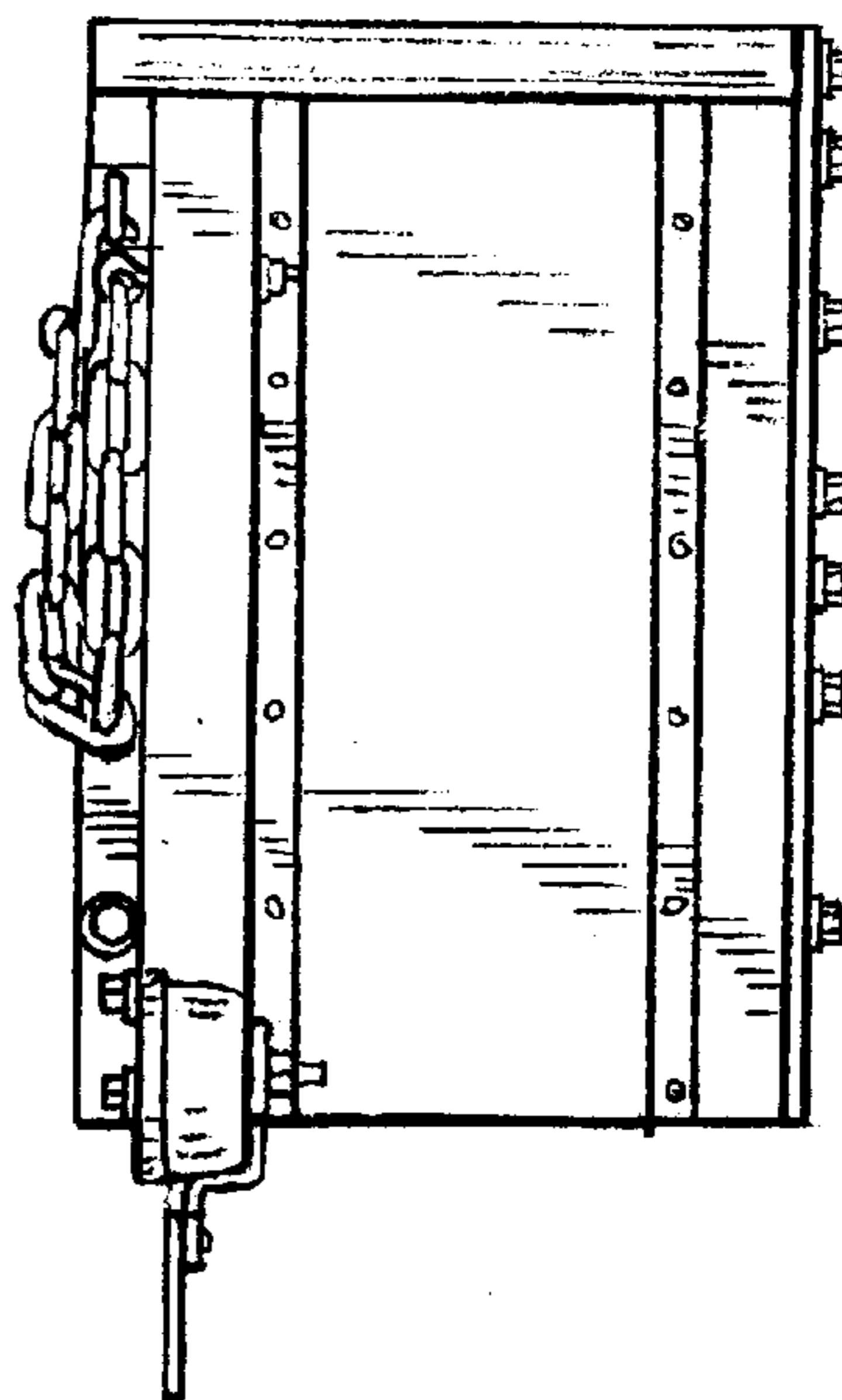


FIG. 10



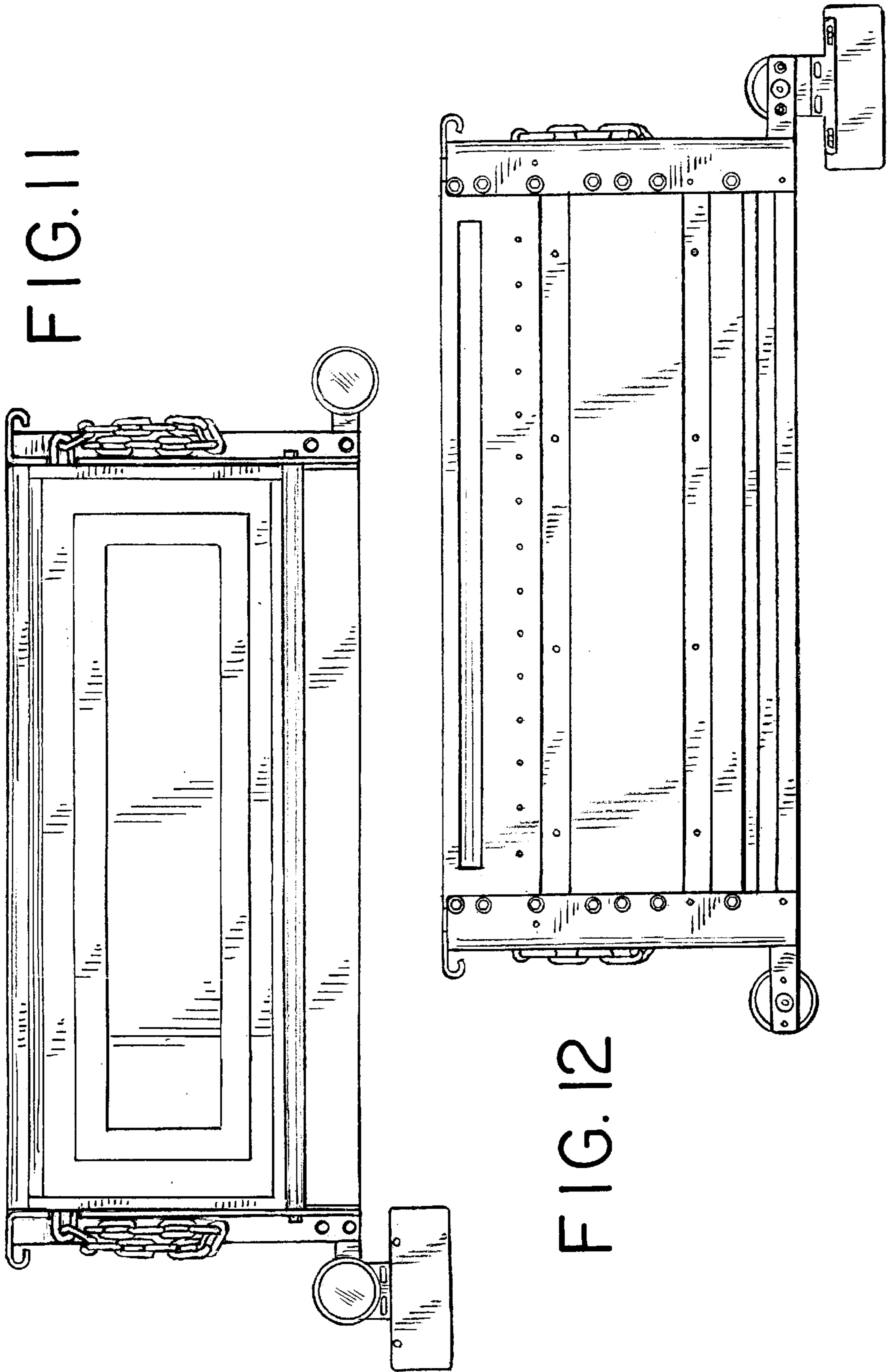


FIG. 11

FIG. 12

FIG.13

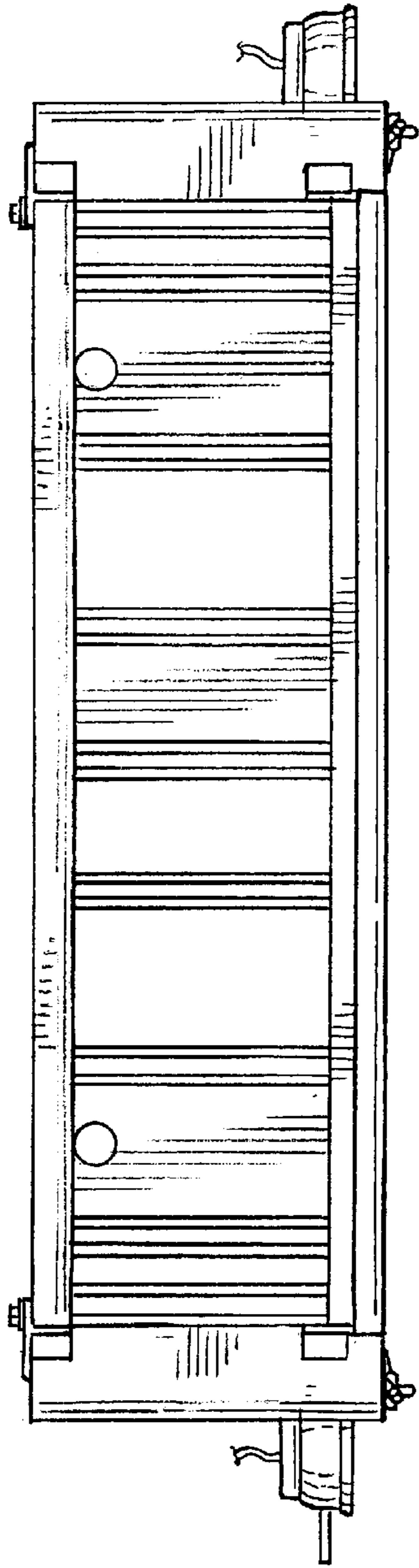


FIG.14

