



US00D474362S

(12) **United States Design Patent**
Callamari

(10) **Patent No.:** **US D474,362 S**

(45) **Date of Patent:** **** May 13, 2003**

(54) **PORTABLE BAT RACK WITH UNDER
FLANGE FOR INSERTION INTO A
COMMON PAINT OR SPACKLE CAN**

D394,575 S * 5/1998 Mikloczak et al. D6/552
D408,174 S * 4/1999 Aspenwall D6/552 X
6,250,480 B1 * 6/2001 McGuinness 211/70.6 X
D461,084 S * 8/2002 Chen D6/552

(76) **Inventor:** **James Callamari**, 387 Macopin Rd.,
West Milford, NJ (US) 07480

* cited by examiner

(**) **Term:** **14 Years**

Primary Examiner—Brian N. Vinson

(21) **Appl. No.:** **29/155,990**

(57) **CLAIM**

(22) **Filed:** **Feb. 22, 2002**

The ornamental design for a portable bat rack with under flange for insertion into a common paint or spackle can, as shown and described.

(51) **LOC (7) Cl.** **08-08**

(52) **U.S. Cl.** **D6/552**

(58) **Field of Search** D6/552, 512; 206/486,
206/315.1, 315.9, 315.91, 315.2; 211/13.1,
14, 39, 60.1, 62, 64, 65, 68, 69, 70.6, 70.7,
70.8, 126.1; 248/309.1, 311.2, 311.3, 314

DESCRIPTION

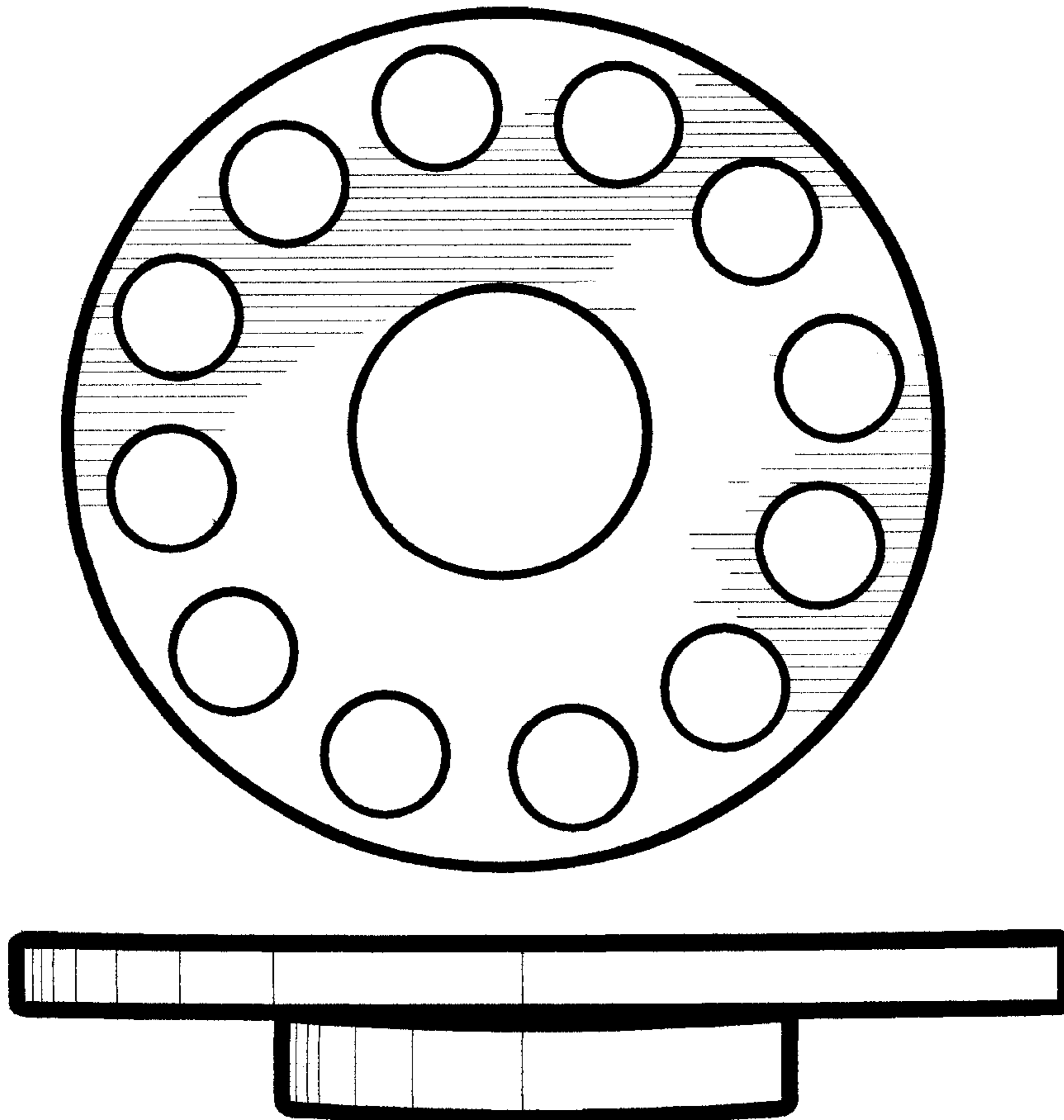
(56) **References Cited**

U.S. PATENT DOCUMENTS

D311,565 S 10/1990 Buri, Jr. et al.
D320,325 S 10/1991 Barfield
D353,067 S 12/1994 Asmar
D358,519 S * 5/1995 Donnelly D6/552
D393,391 S * 4/1998 Lorenz et al. D6/552

FIG. 1 is a top plan view of a portable bat rack with under flange for insertion into a common paint or spackle can showing my new design;
FIG. 2 is a front elevational view thereof, the rear and sides adjacent being indetical in appearance;
FIG. 3 is a bottom plan view thereof; and,
FIG. 4 is a top perspective thereof, with the broken-line disclosure of baseball bats and a spackle can being for illustrative purposes only and forming no part of the claimed design.

1 Claim, 4 Drawing Sheets



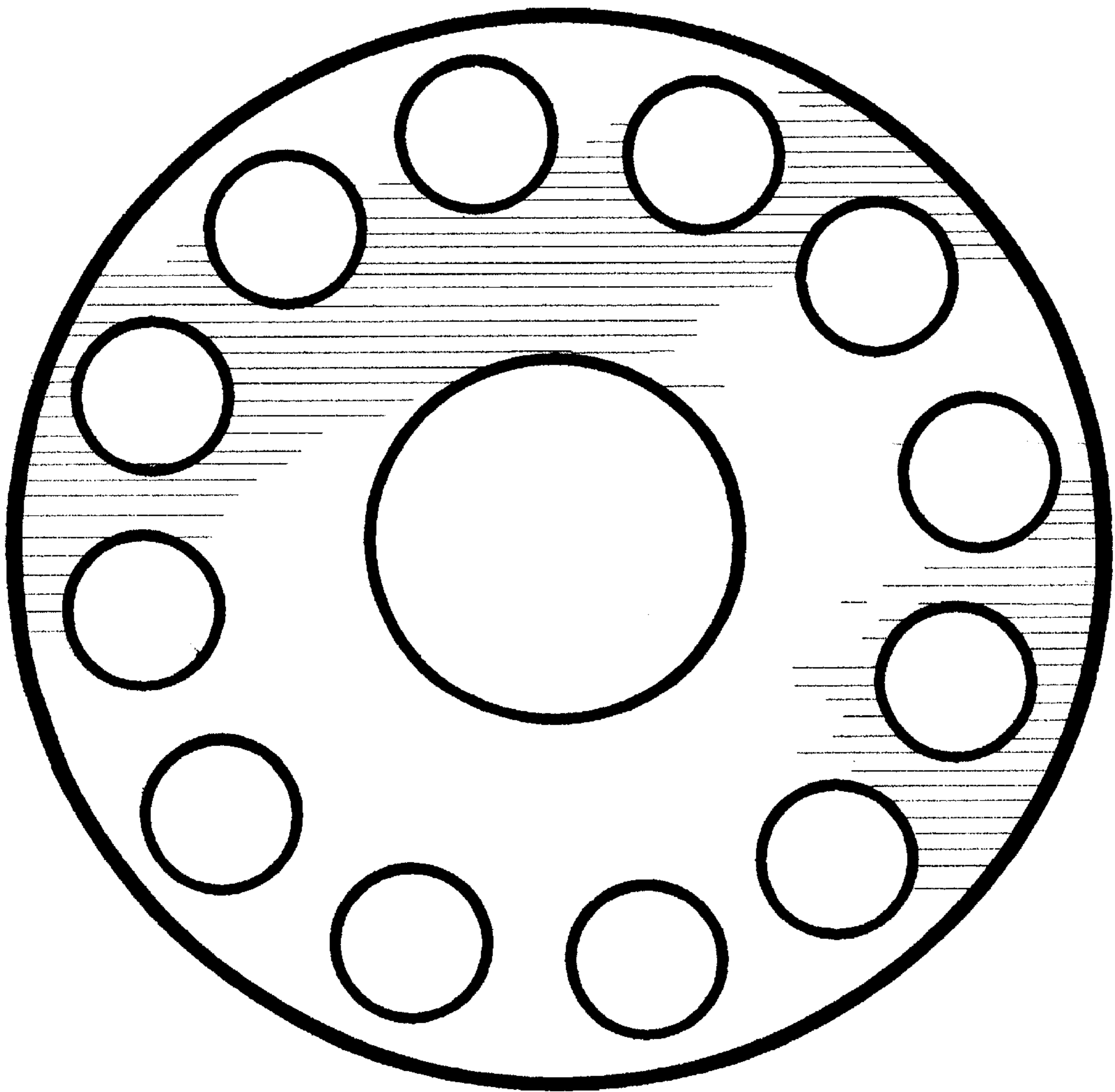


Fig. 1

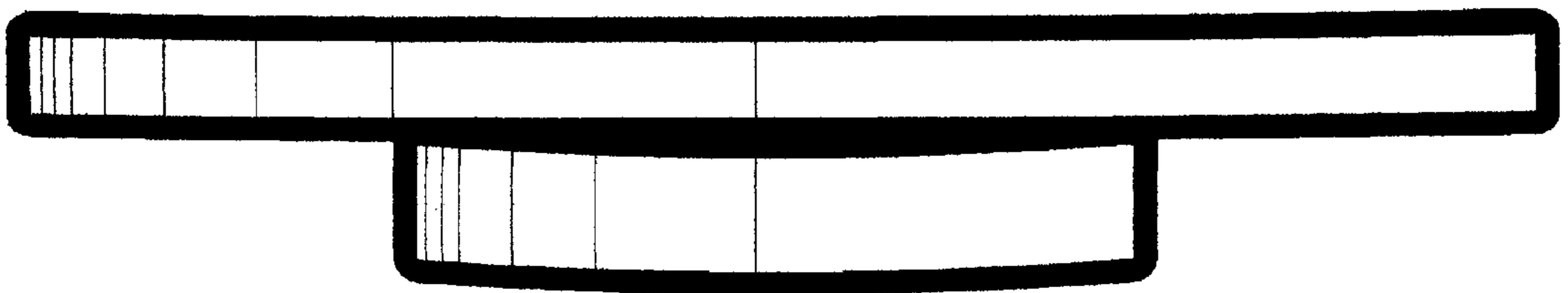


Fig. 2

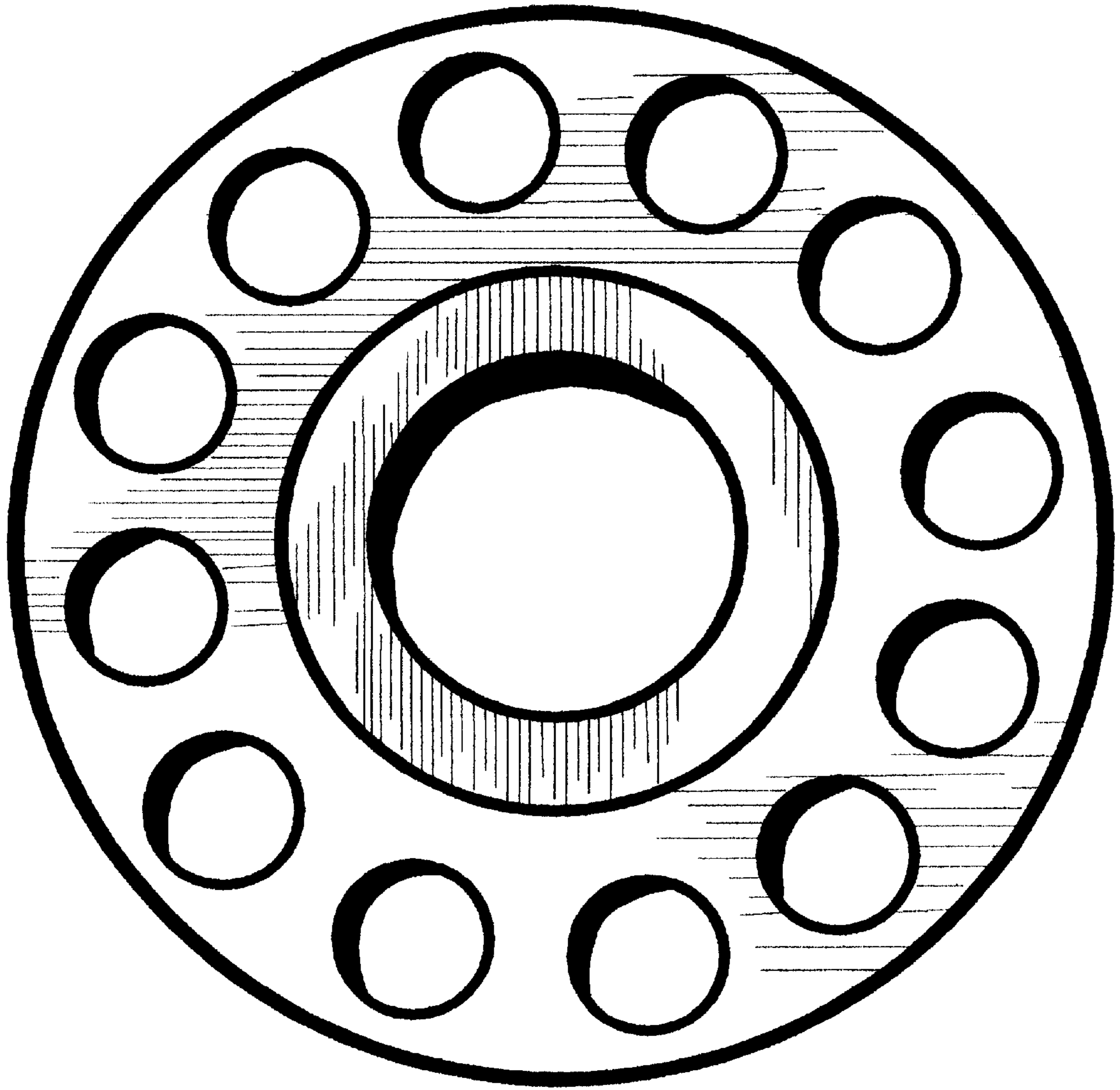


Fig. 3

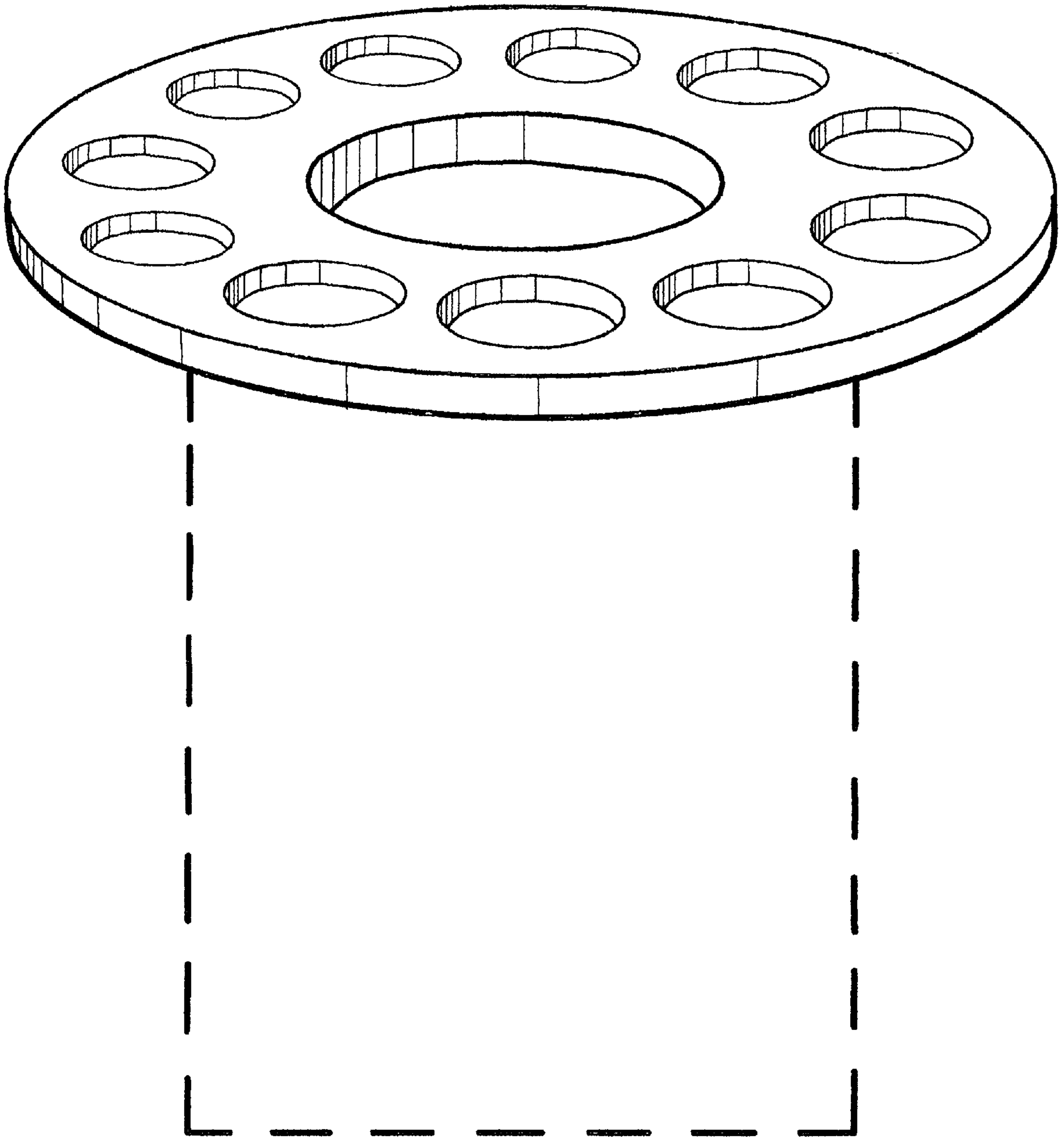


Fig. 4