



US00D474359S

(12) **United States Design Patent**  
**Bennett**

(10) **Patent No.:** **US D474,359 S**

(45) **Date of Patent:** **\*\* May 13, 2003**

(54) **ROLLED-PRODUCT DISPENSER**

D405,992 S \* 2/1999 Lee et al. .... D6/522  
D423,264 S \* 4/2000 Nyland ..... D6/518

(76) Inventor: **Butahn Douglas Bennett**, 335 Golden Gate Dr., Largo, FL (US) 33770

\* cited by examiner

(\*\*) Term: **14 Years**

*Primary Examiner*—Brian N. Vinson

(21) Appl. No.: **29/156,902**

(57) **CLAIM**

(22) Filed: **Mar. 8, 2002**

The ornamental design for a rolled-product dispenser, as shown and described.

(51) **LOC (7) Cl.** ..... **20-02**

**DESCRIPTION**

(52) **U.S. Cl.** ..... **D6/518**

(58) **Field of Search** ..... D6/546-50, 518,  
D6/522-24; D8/300, 315-21, 354, 363,  
373, 380; 108/28-29; 211/13.1, 16, 60.1,  
86.01, 87.01, 88.04, 100, 105.1-105.2,  
123, 181.1, 182; 248/175, 176.1, 251, 302;  
16/110.1, 412, 415; 242/570, 590, 595-598;  
206/389

FIG. 1 is a front elevational view of a rolled-product dispenser showing my new design;  
FIG. 2 is a rear elevational view thereof;  
FIG. 3 is a side view, taken from the left side of FIG. 1, the right side view being a mirror image thereof;  
FIG. 4 is a bottom plan view thereof;  
FIG. 5 is a top plan view thereof;  
FIG. 6 is a perspective view of the rolled-product dispenser of my new design in use; and,  
FIG. 7 is a cross-sectional view of my design drawn along plane 7 of FIG. 1.

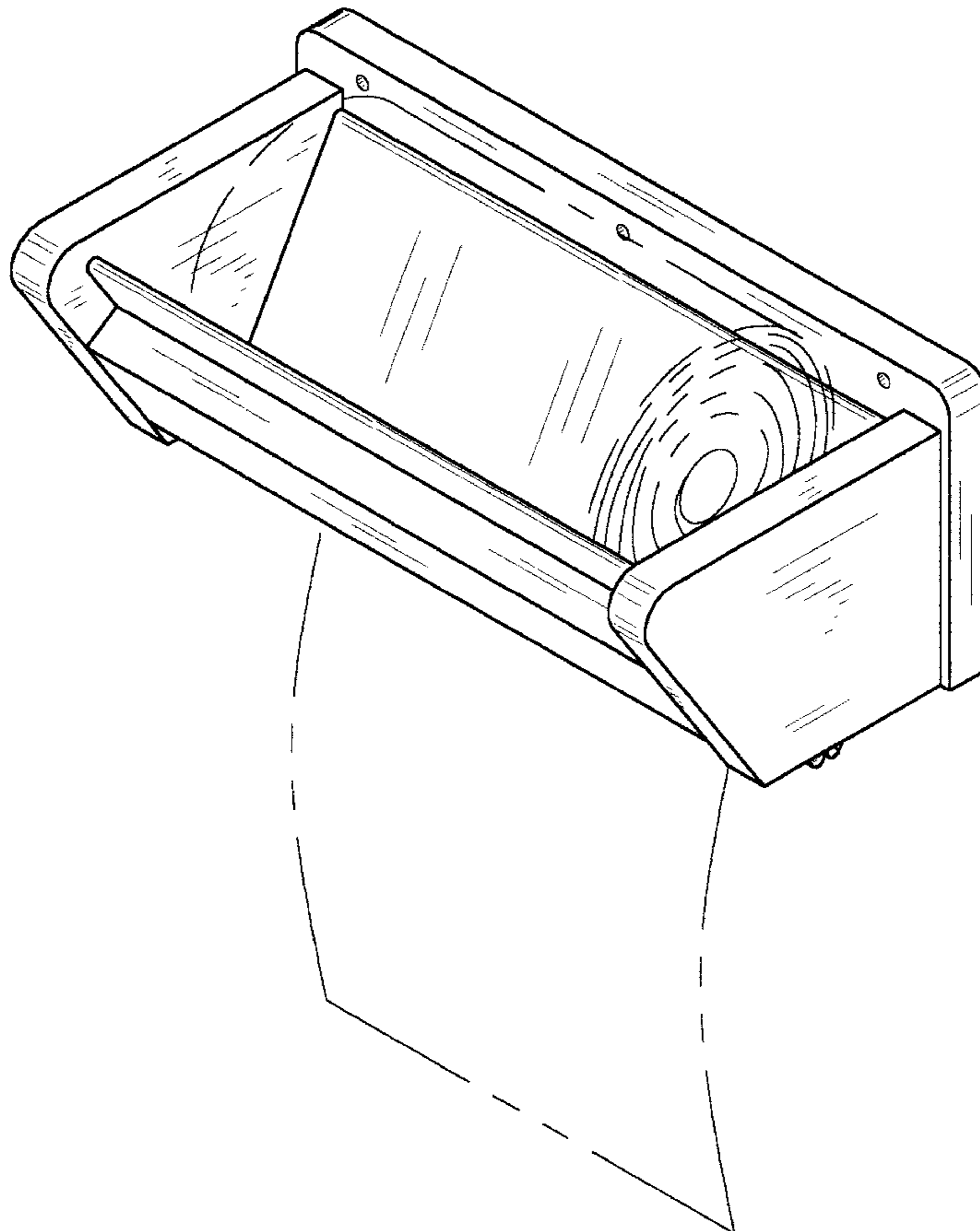
(56) **References Cited**

**U.S. PATENT DOCUMENTS**

- D273,826 S \* 5/1984 Anderson et al. .... D6/518
- D293,182 S \* 12/1987 Carter ..... D6/518
- D308,445 S \* 6/1990 Loughridge ..... D6/518
- D324,617 S \* 3/1992 McCauley ..... D6/518
- D386,638 S \* 11/1997 Fong ..... D6/518

The dotted line showing a rolled product in FIGS. 6 and 7 is for illustrative purposes only and forms no part of the claimed design.

**1 Claim, 7 Drawing Sheets**



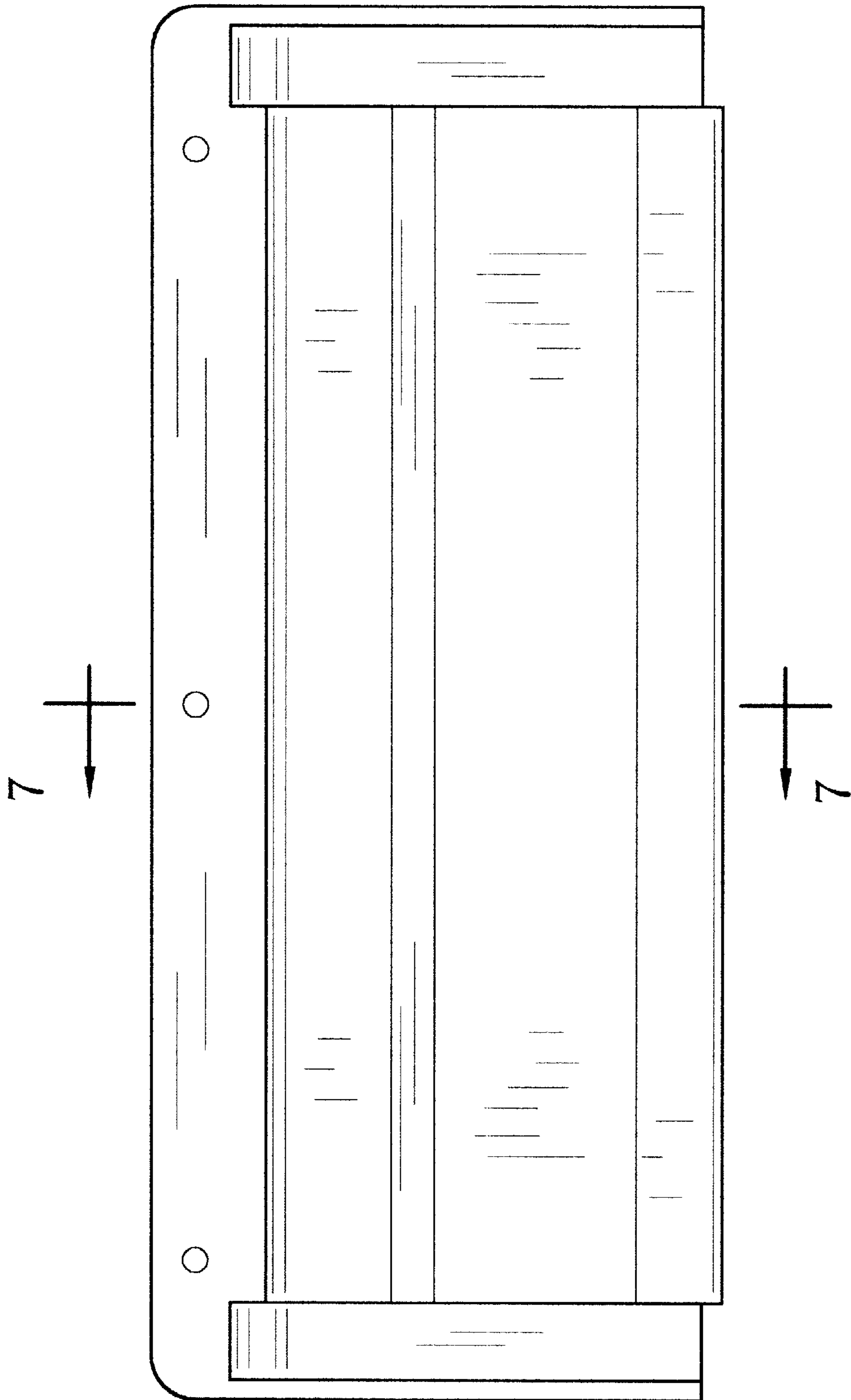


FIG. 1

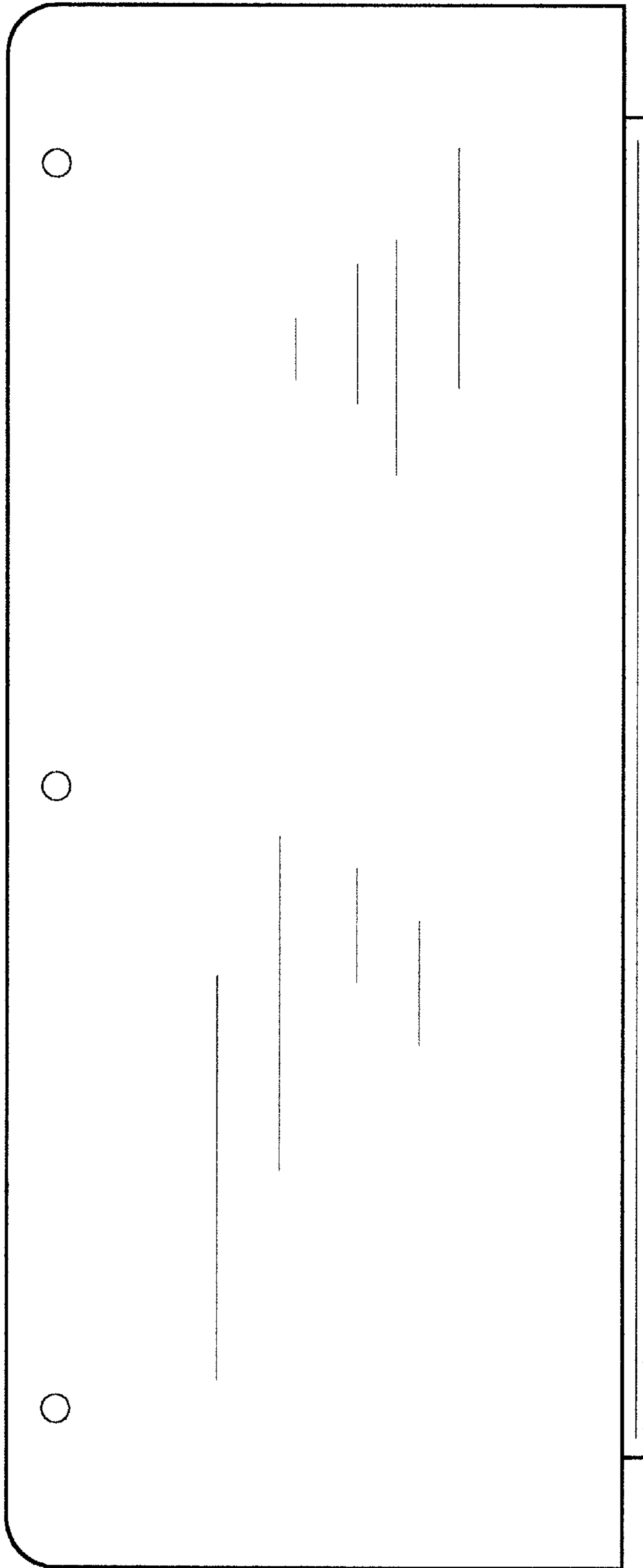


FIG. 2

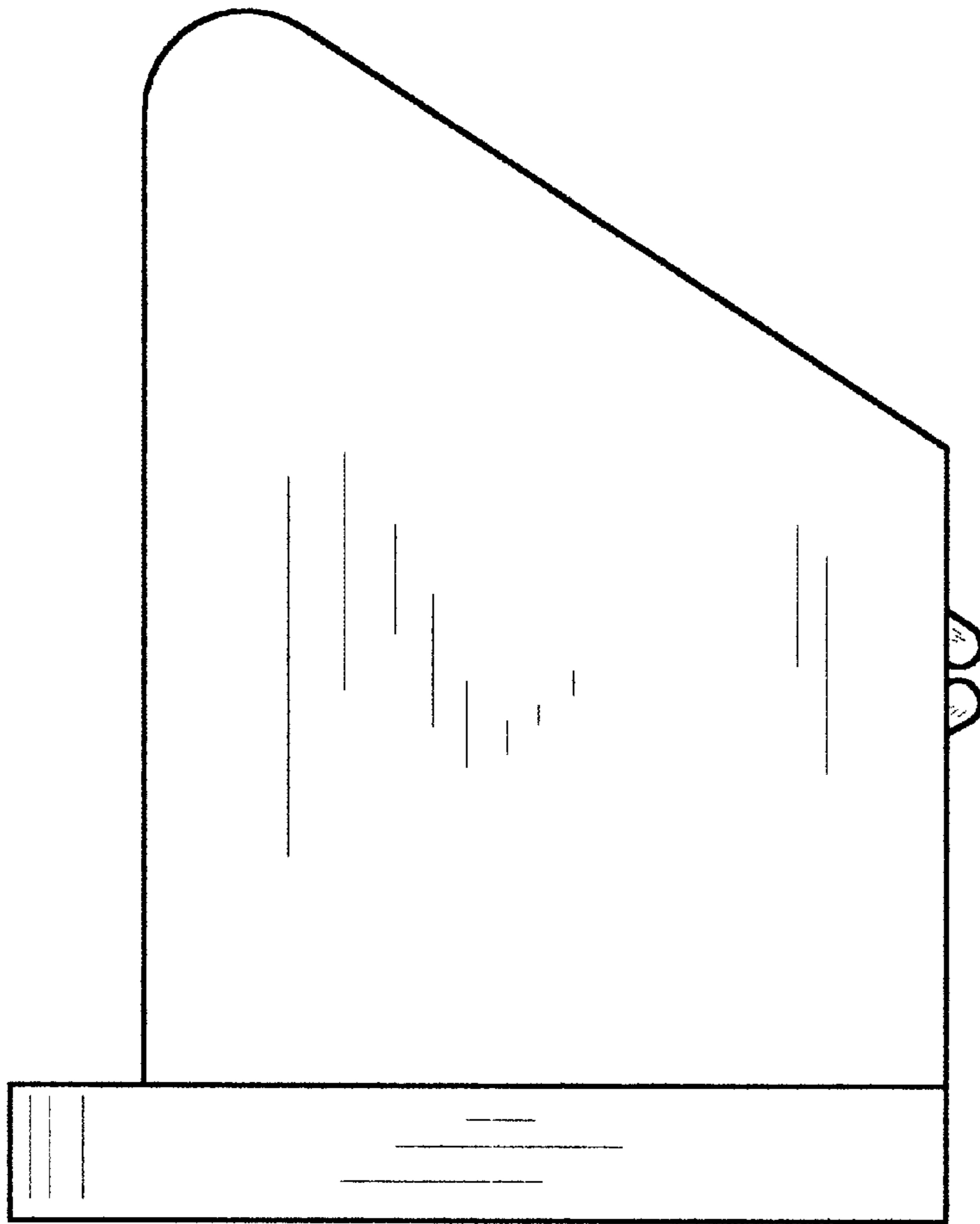


FIG. 3

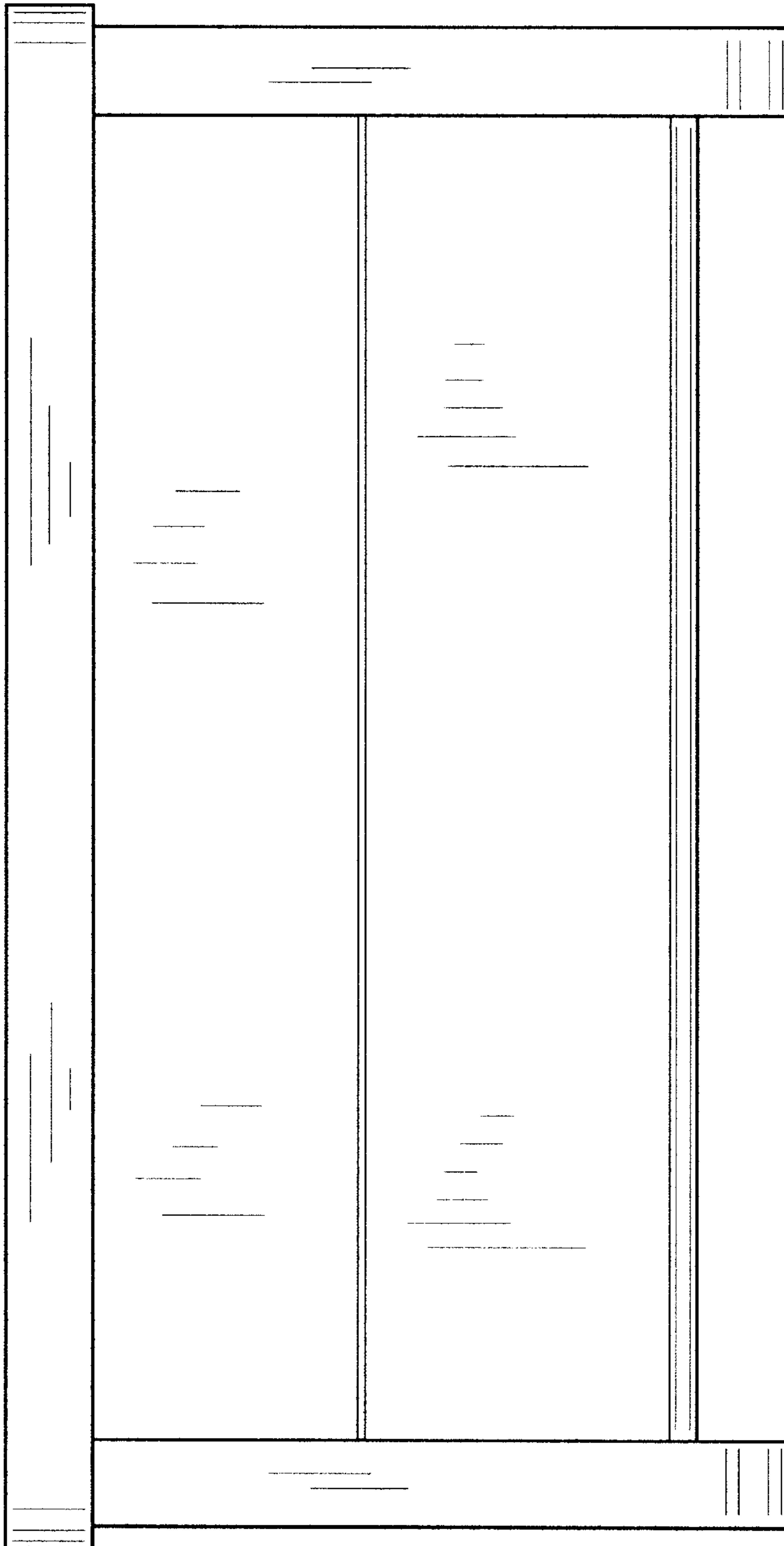


FIG. 4

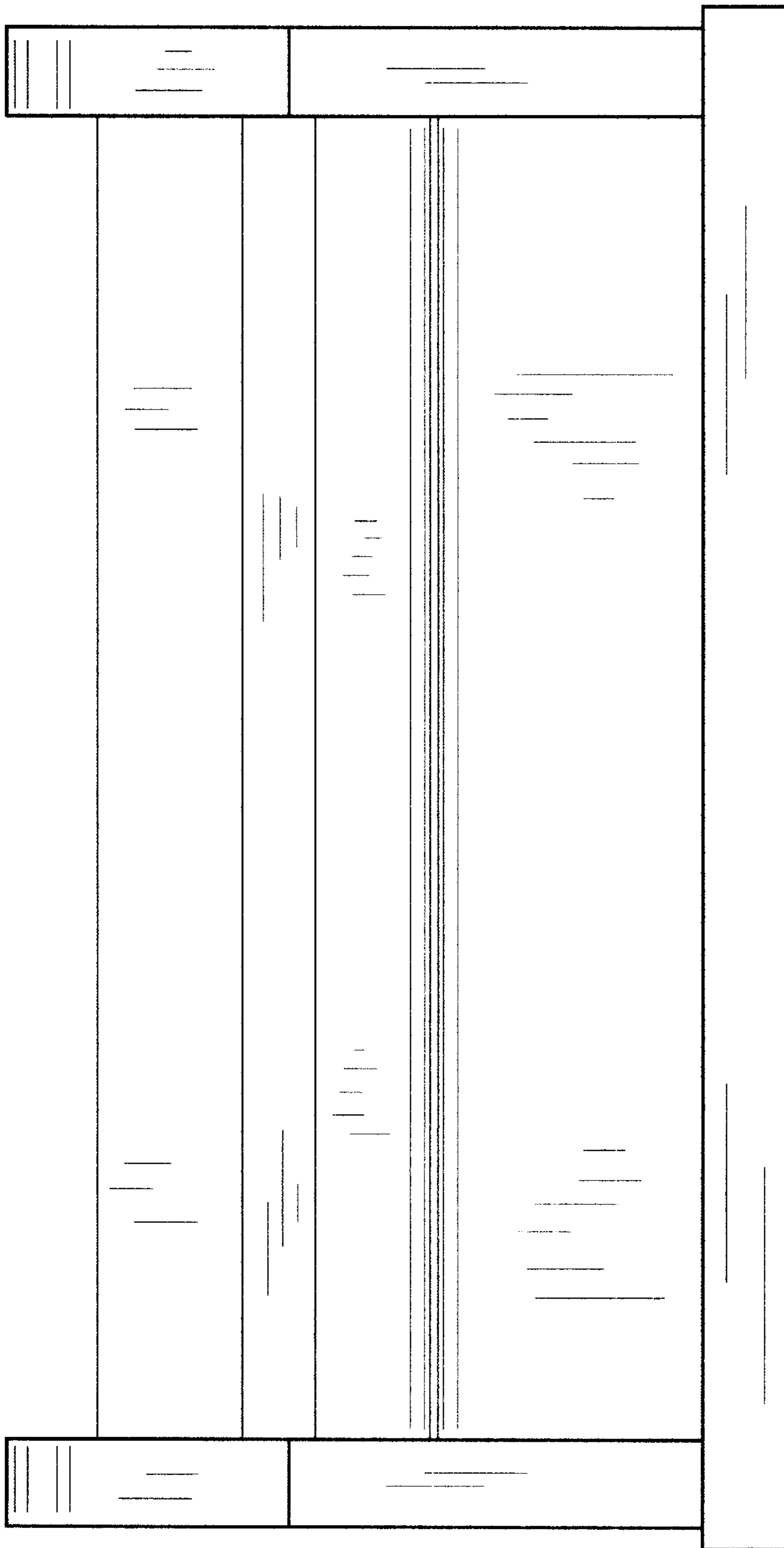


FIG. 5

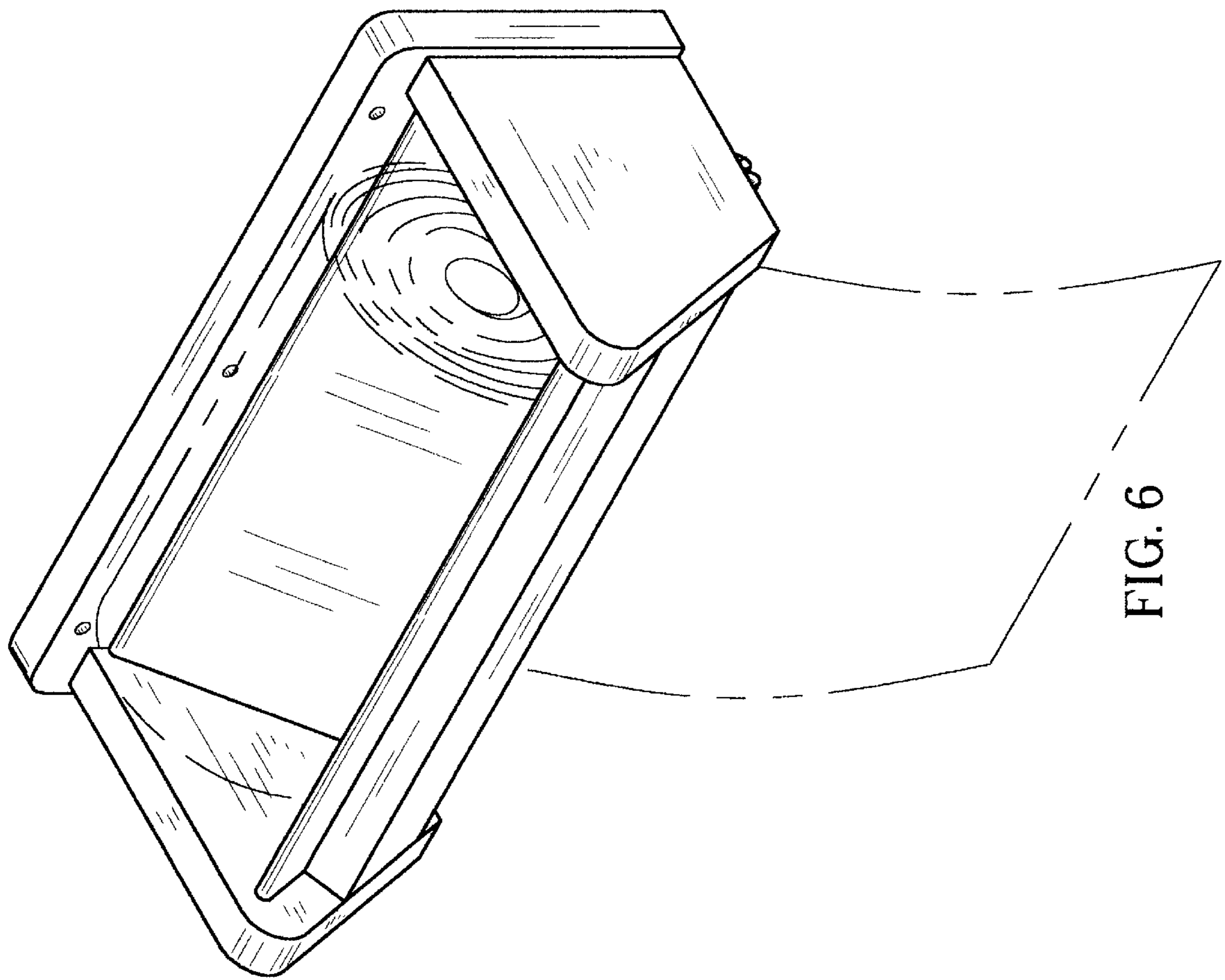


FIG. 6

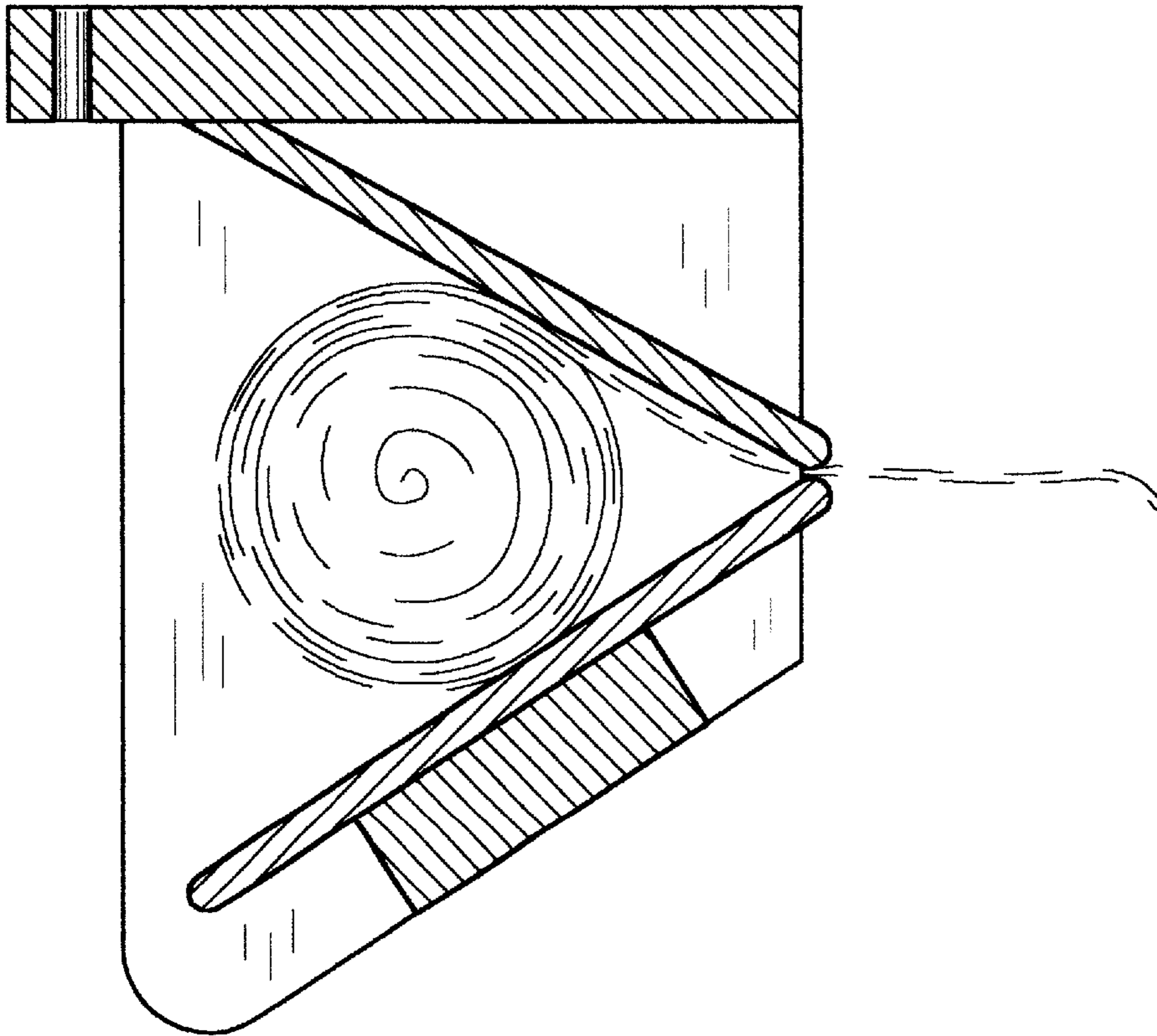


FIG. 7