



US00D474358S

(12) **United States Design Patent**
Kita

(10) **Patent No.:** **US D474,358 S**

(45) **Date of Patent:** **** May 13, 2003**

(54) **CHAIR**

(75) Inventor: **Toshiyuki Kita**, Osaka (JP)

(73) Assignee: **Toyo-Kougel Inc.**, Tokyo (JP)

(**) Term: **14 Years**

(21) Appl. No.: **29/141,837**

(22) Filed: **May 14, 2001**

(30) **Foreign Application Priority Data**

Nov. 14, 2000 (JP) 2000-032470

(51) **LOC (7) Cl.** **06-06**

(52) **U.S. Cl.** **D6/500**

(58) **Field of Search** D6/334, 335, 336,
D6/370, 371, 372, 373, 374, 375, 376,
379, 380, 500, 501, 502; D8/300, 315,
319, 320; 297/239

(56) **References Cited**

U.S. PATENT DOCUMENTS

D163,655 S	*	6/1951	Virtue	D6/502
D193,507 S	*	9/1962	Orban	D6/380
D218,550 S	*	9/1970	Friedman	D8/320
D293,282 S	*	12/1987	Ashford	D6/502 X
D335,778 S	*	5/1993	Hess	D6/376
D341,045 S	*	11/1993	Barile	D6/502
D341,266 S	*	11/1993	Caldwell	D6/379
D342,840 S	*	1/1994	Doughty	D6/376

D350,241 S	*	9/1994	Gibbs	D6/370
D358,949 S	*	6/1995	Mintz	D6/380
D373,031 S	*	8/1996	Martin	D6/380

OTHER PUBLICATIONS

Faultless Furniture Hardware, p. 8, Handle Ring # R1094 as marked.*

* cited by examiner

Primary Examiner—Gary D. Watson

(74) *Attorney, Agent, or Firm*—Levisohn, Lerner, Berger & Langsam, LLP

(57) **CLAIM**

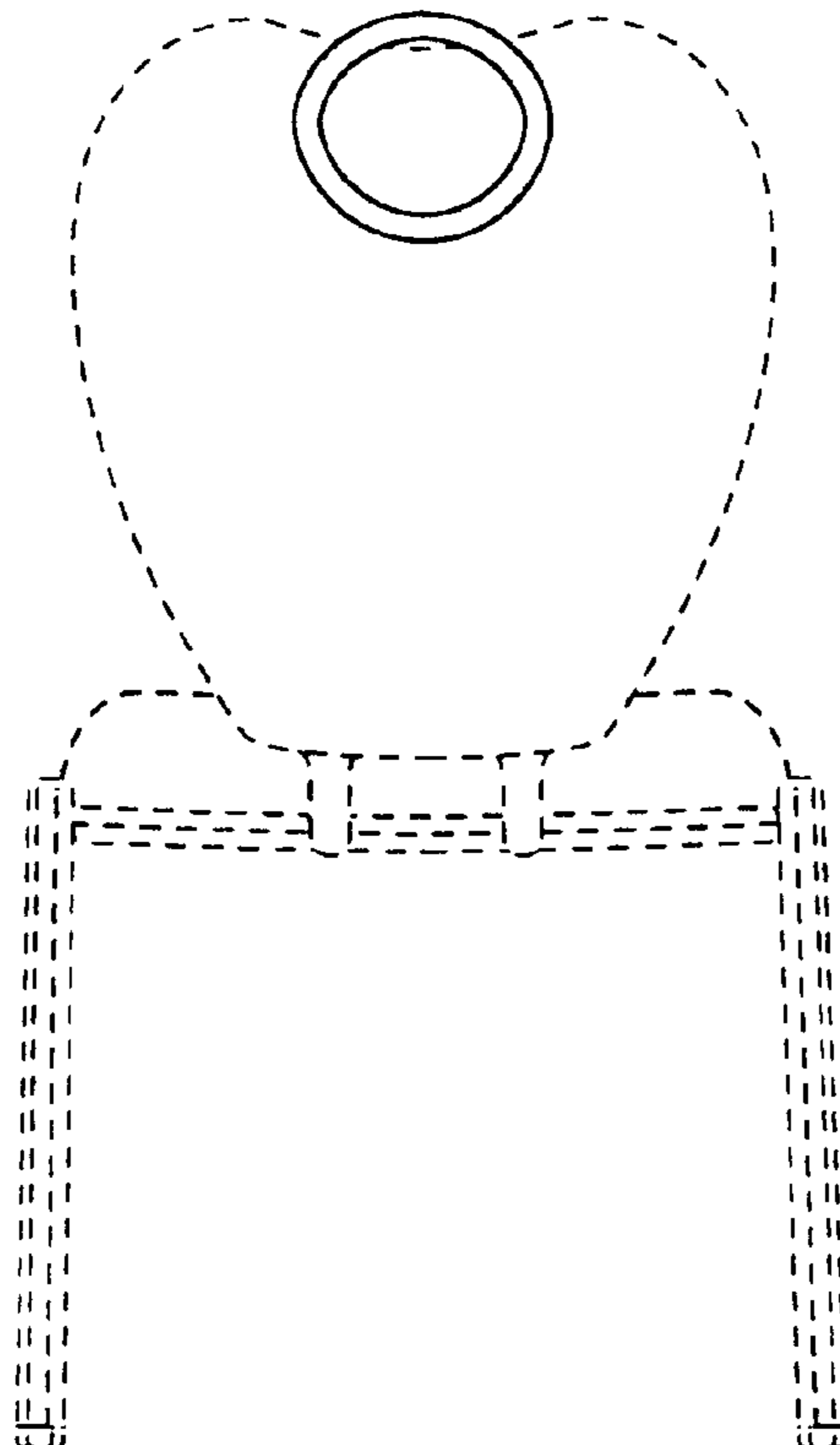
The ornamental design for a chair, as shown and described.

DESCRIPTION

FIG. 1 is a perspective view of the chair of this invention; FIG. 2 is a rear elevational view of a chair of this invention; FIG. 3 is a left side elevation view of a chair of this invention; no right side elevation view is provided as it is a mirror image of the left side view; FIG. 4 is a bottom plan view of the chair of this invention; FIG. 5 is a top plan view of the chair of this invention; and, FIG. 6 is an enlarged cross-sectional view taken along line 6—6 of FIG. 1.

The broken lines shown in the figures are for environmental purposes only and do not form a part of the claimed invention.

1 Claim, 6 Drawing Sheets



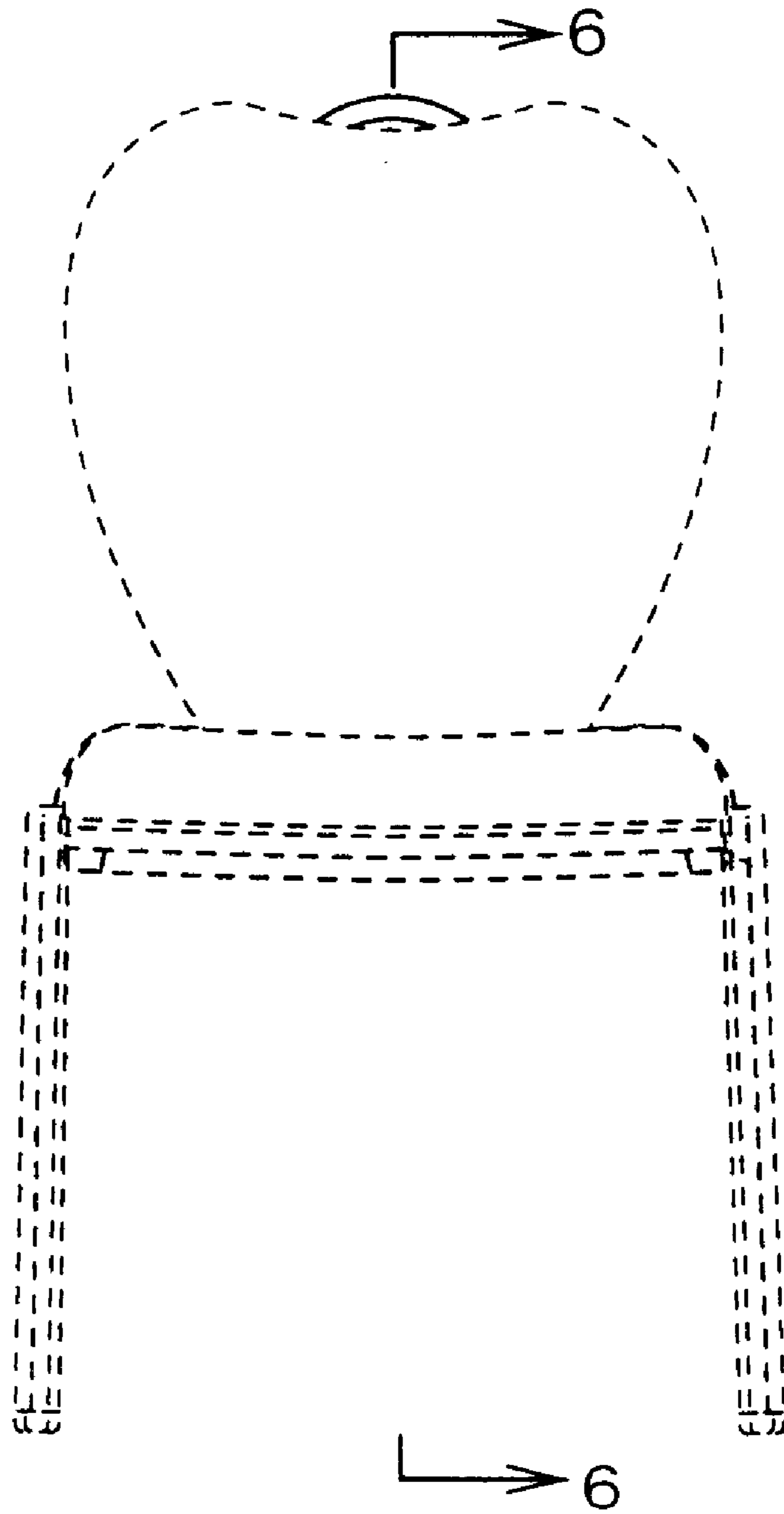


FIG. 1

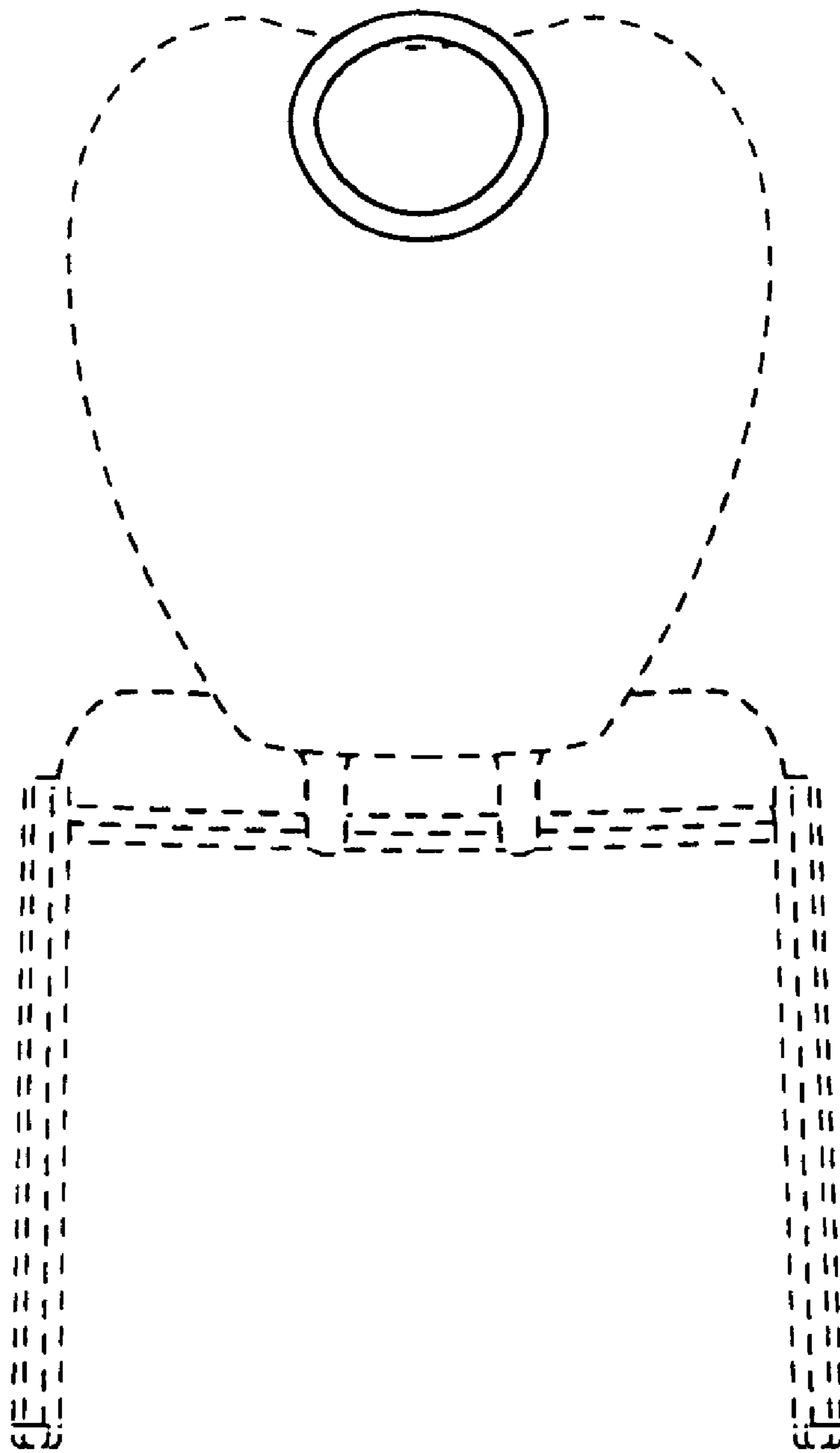


FIG. 2

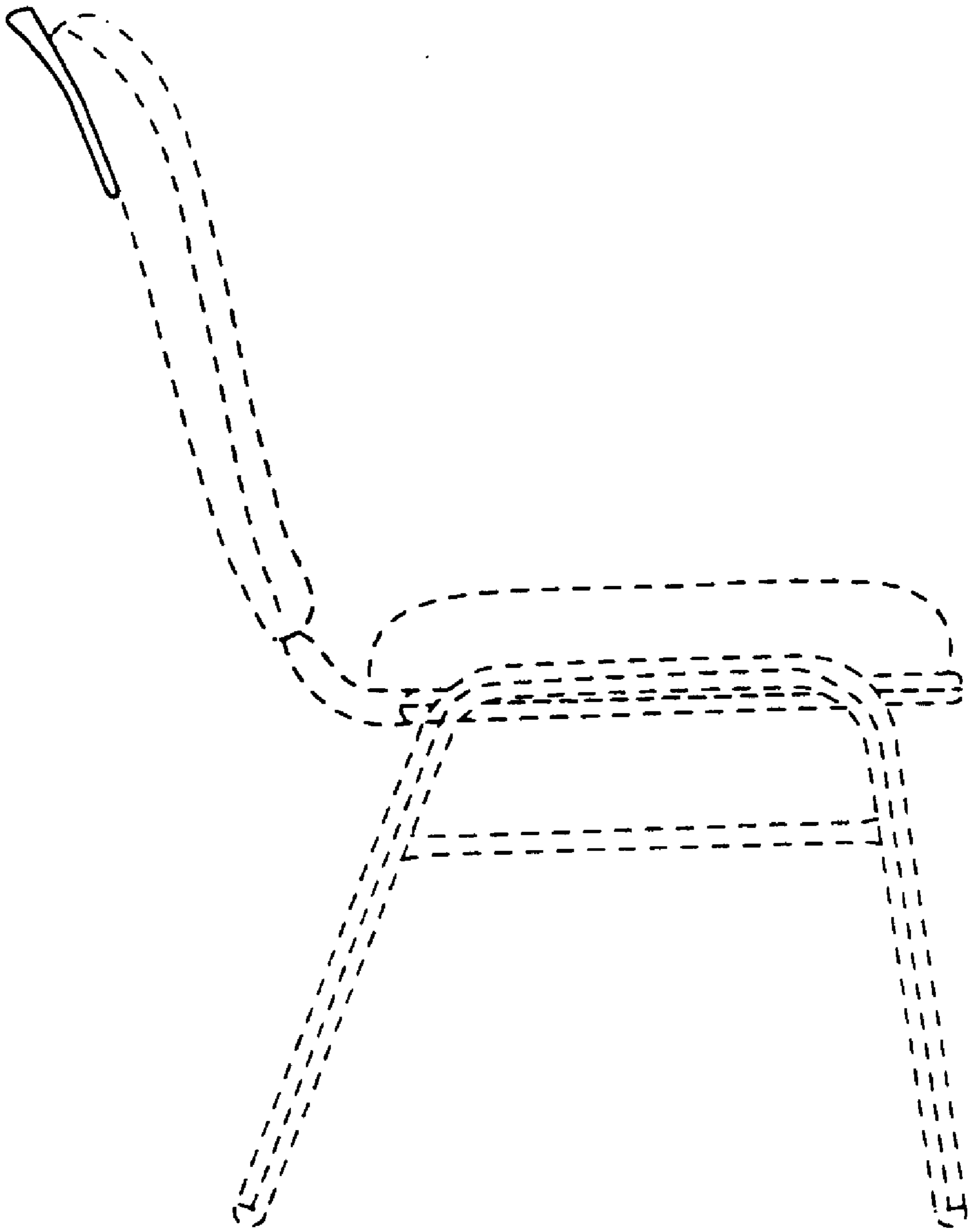


FIG. 3

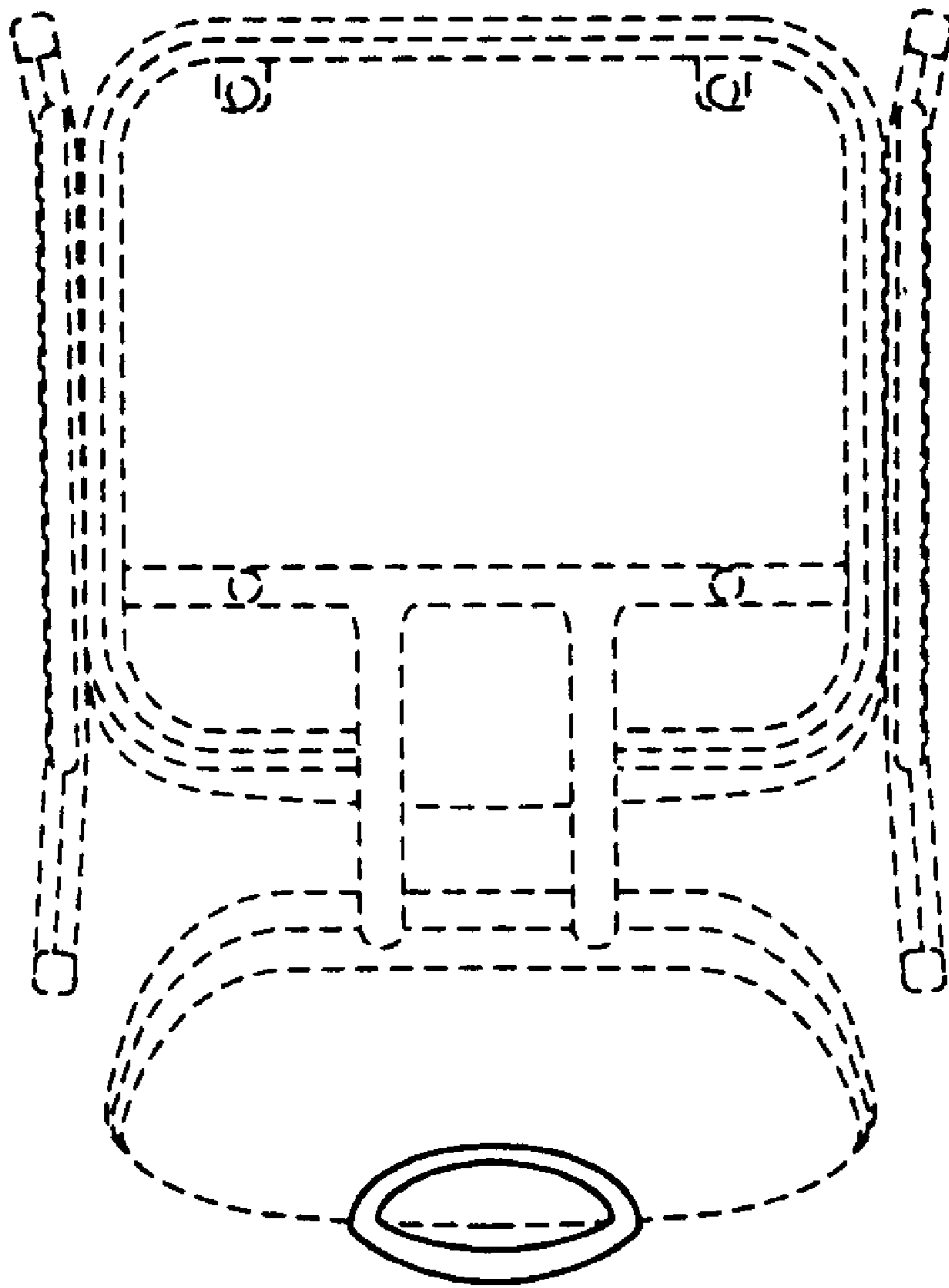


FIG. 4

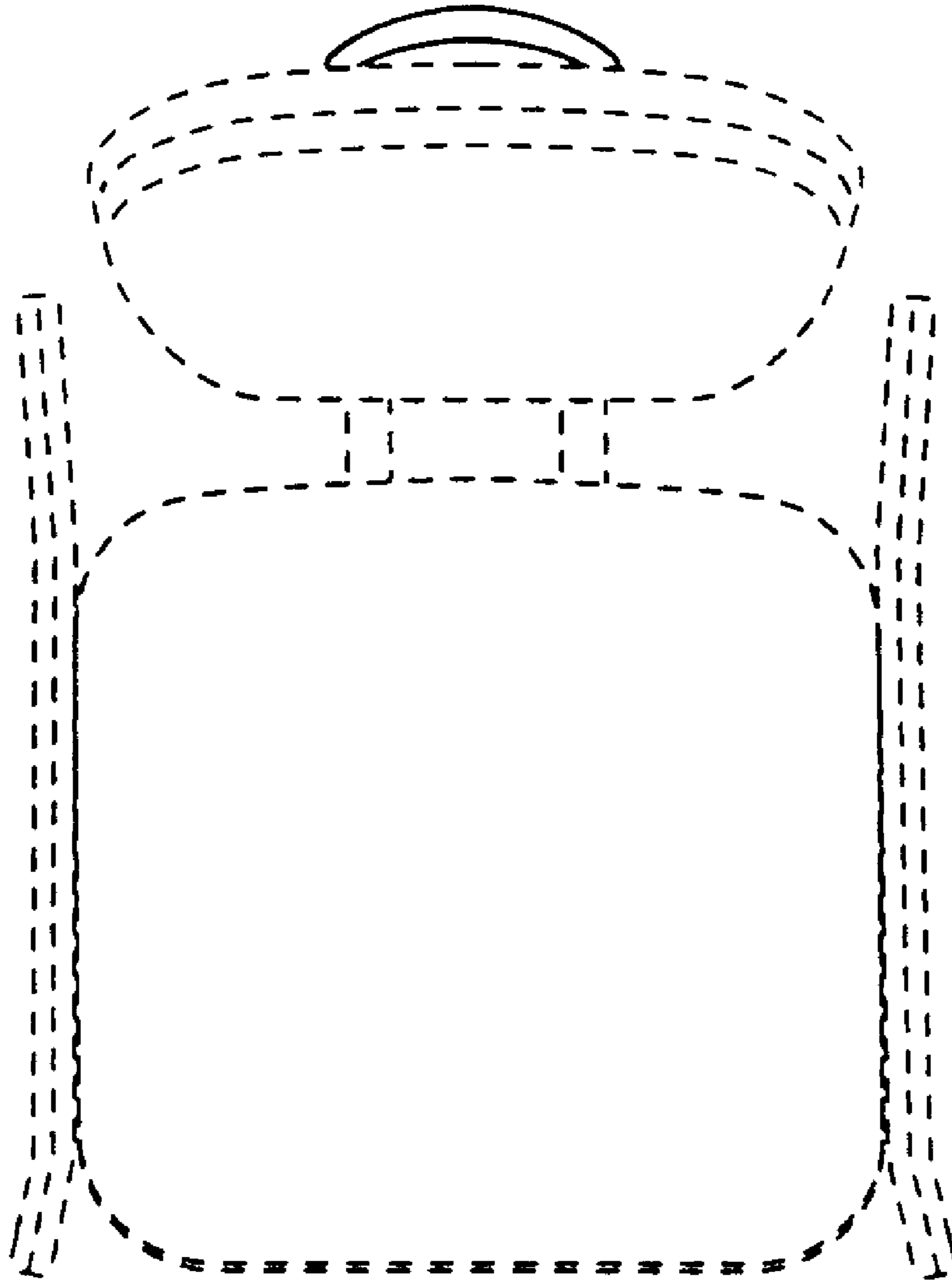


FIG. 5

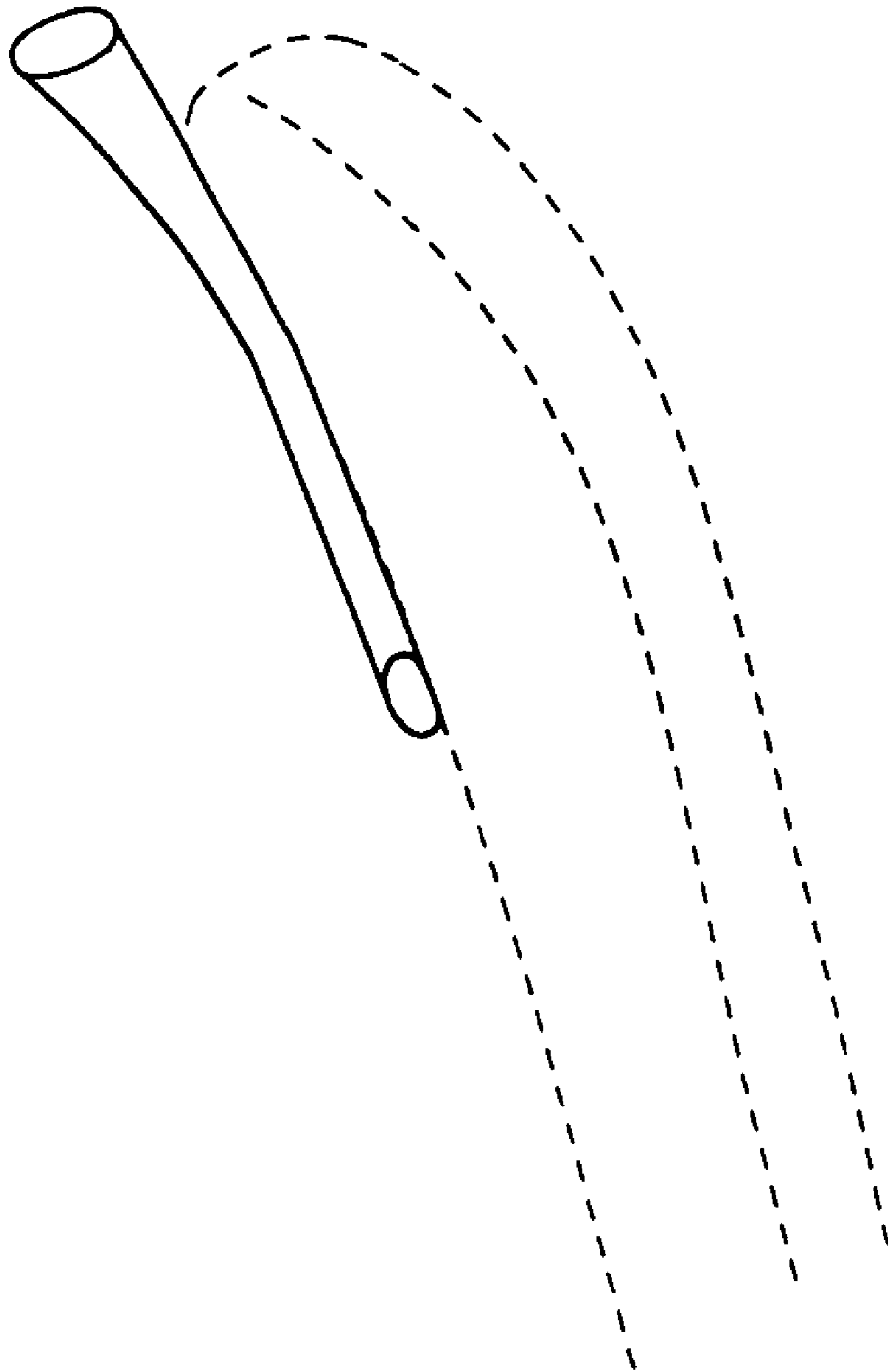


FIG. 6