



US00D474355S

(12) **United States Design Patent**
Sexton

(10) **Patent No.:** **US D474,355 S**

(45) **Date of Patent:** **** May 13, 2003**

(54) **DESK GROUP**

D415,910 S * 11/1999 Chang D6/480
D435,367 S * 12/2000 Tzeng D6/480

(75) Inventor: **James S. Sexton**, Danville, CA (US)

* cited by examiner

(73) Assignee: **Z-Line Designs**, Danville, CA (US)

Primary Examiner—Janice E. Seeger

(**) Term: **14 Years**

(74) *Attorney, Agent, or Firm*—Townsend and Townsend and Crew LLP

(21) Appl. No.: **29/163,367**

(57) **CLAIM**

(22) Filed: **Jul. 3, 2002**

The ornamental design for a desk group, as shown and described.

(51) **LOC (7) Cl.** **06-03**

(52) **U.S. Cl.** **D6/484; D6/423; D6/426**

DESCRIPTION

(58) **Field of Search** D6/421–428, 484,
D6/482, 477; 312/194–196, 208.1, 208.4,
238; 108/50.01, 50.02

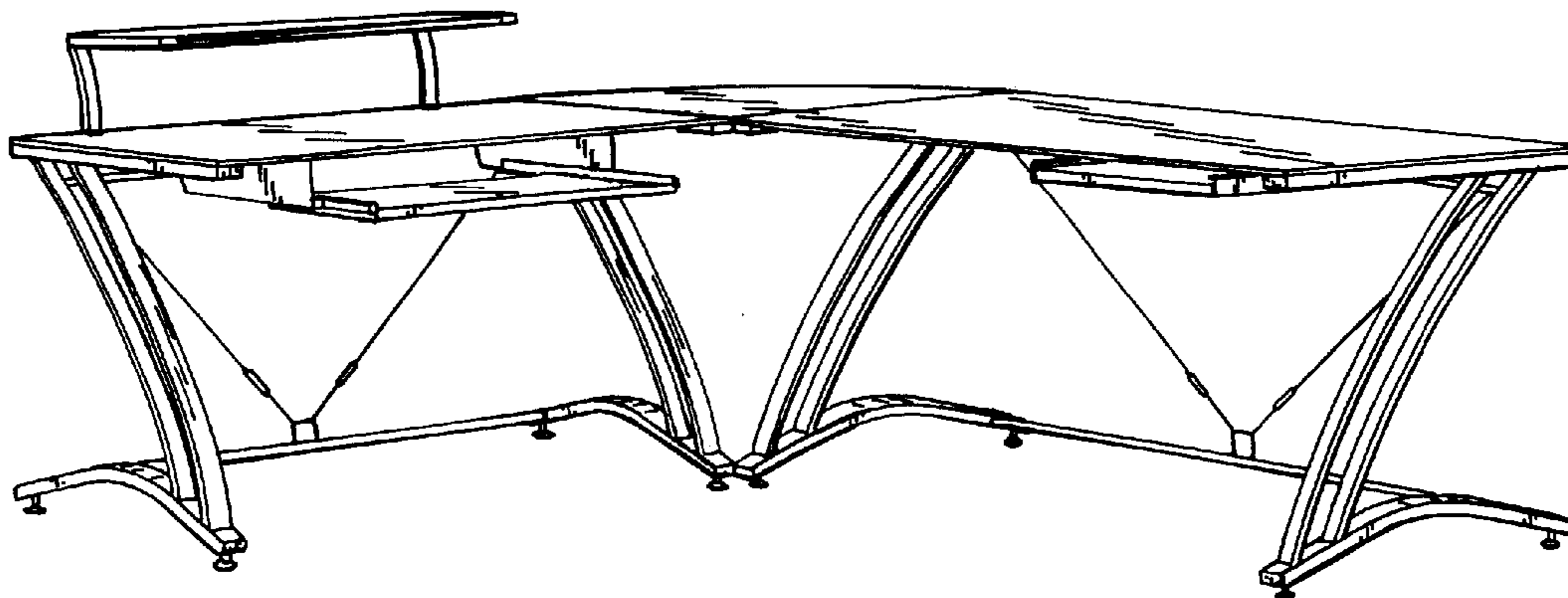
FIG. 1 is a perspective view of the desk group design;
FIG. 2 is a top plan view thereof;
FIG. 3 is a front elevational view thereof;
FIG. 4 is a right side elevational view thereof;
FIG. 5 is a rear side elevational view thereof; and,
FIG. 6 is a left side elevational view thereof.

(56) **References Cited**

U.S. PATENT DOCUMENTS

D278,770 S * 5/1985 Koguma D6/423
D315,261 S * 3/1991 Ng et al. D6/426
D373,262 S * 9/1996 Luong et al. D6/423

1 Claim, 2 Drawing Sheets



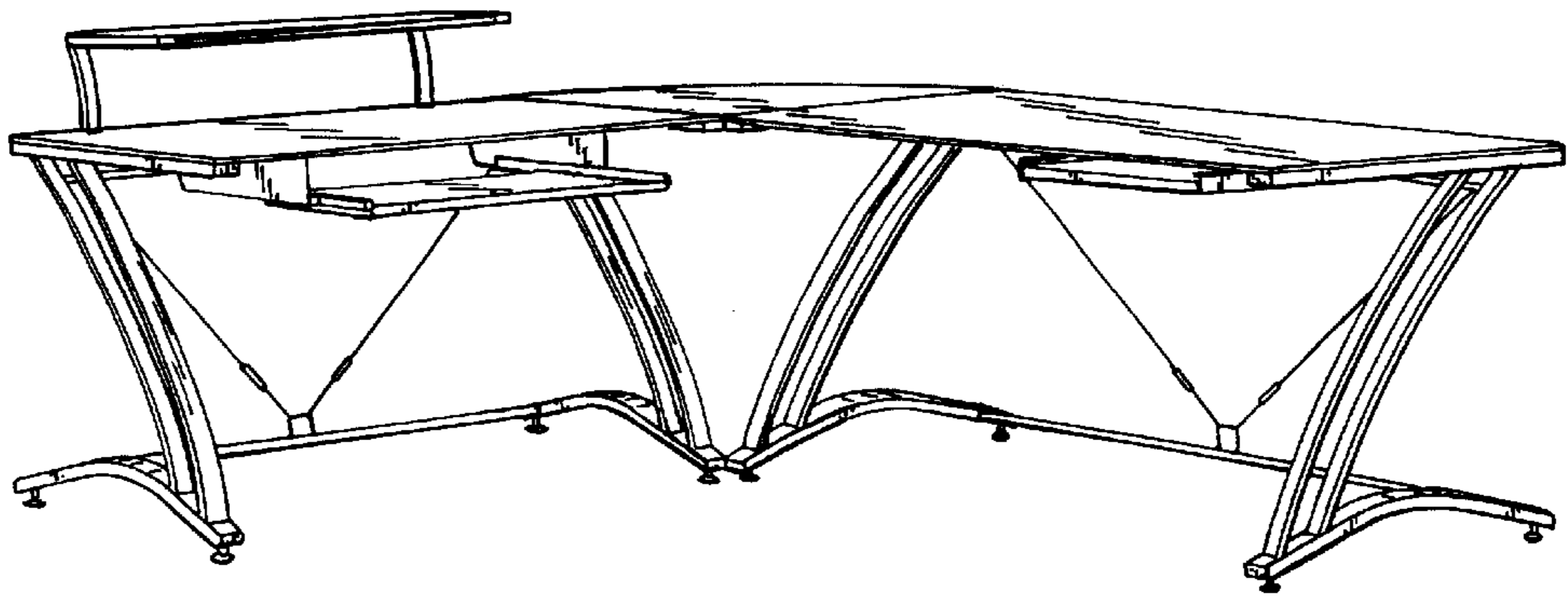


FIG. 1.

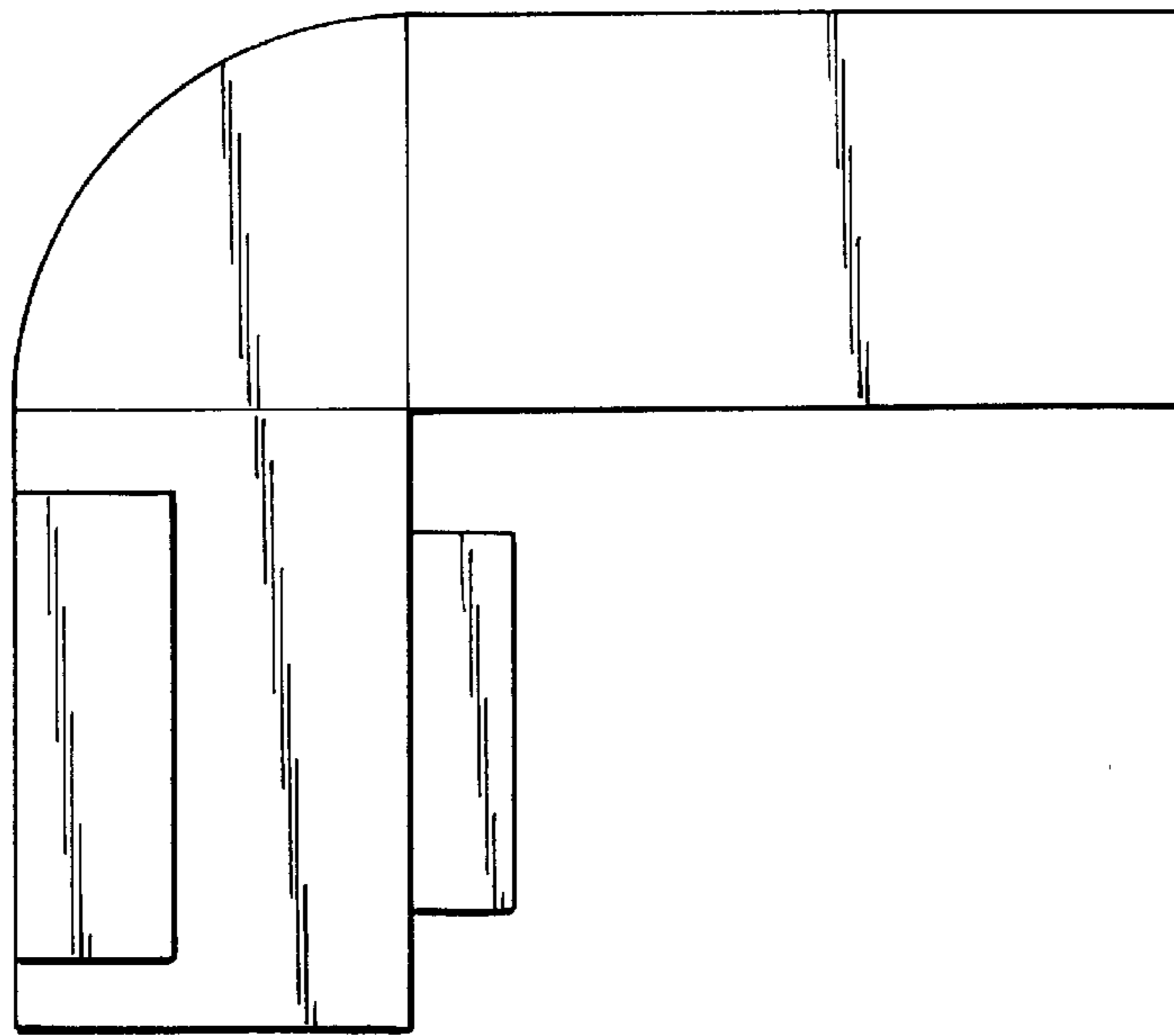


FIG. 2.

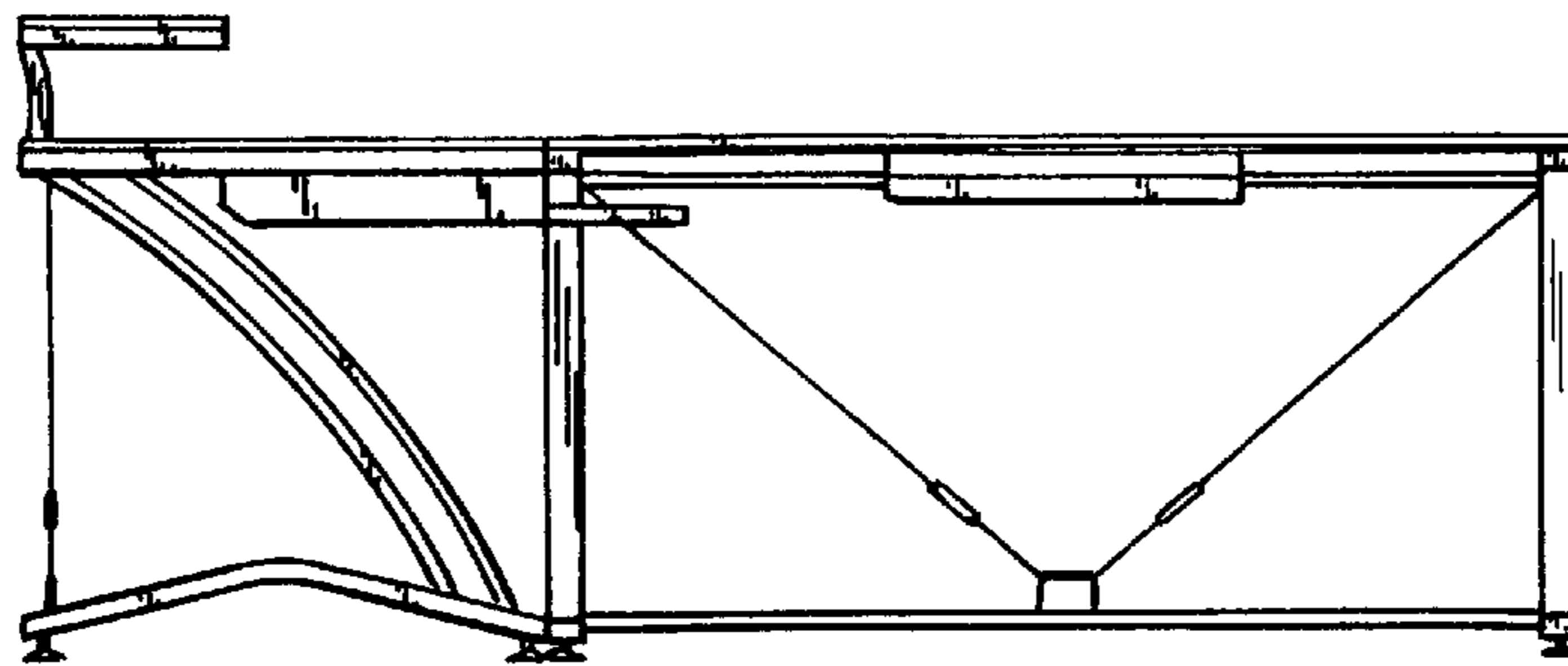


FIG. 3.

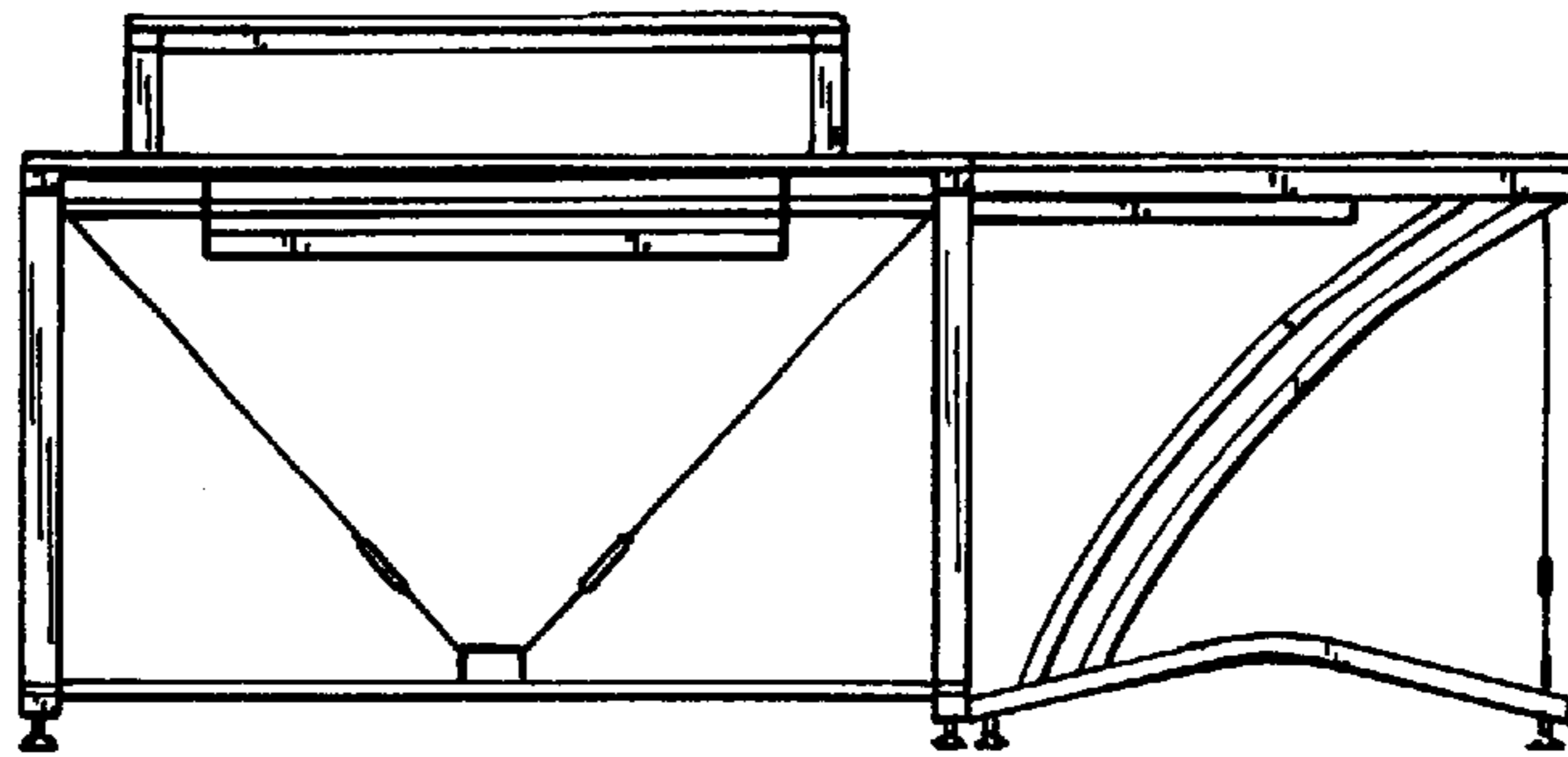


FIG. 4.

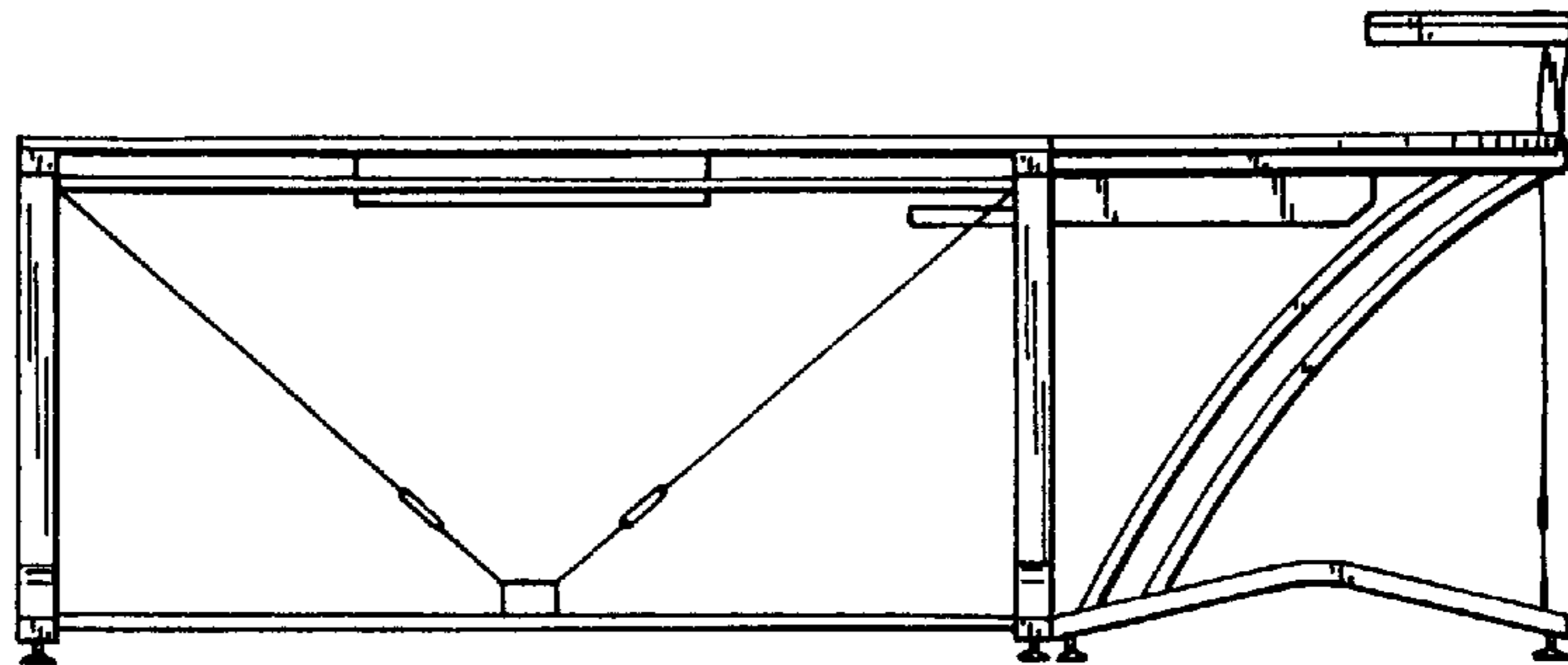


FIG. 5.

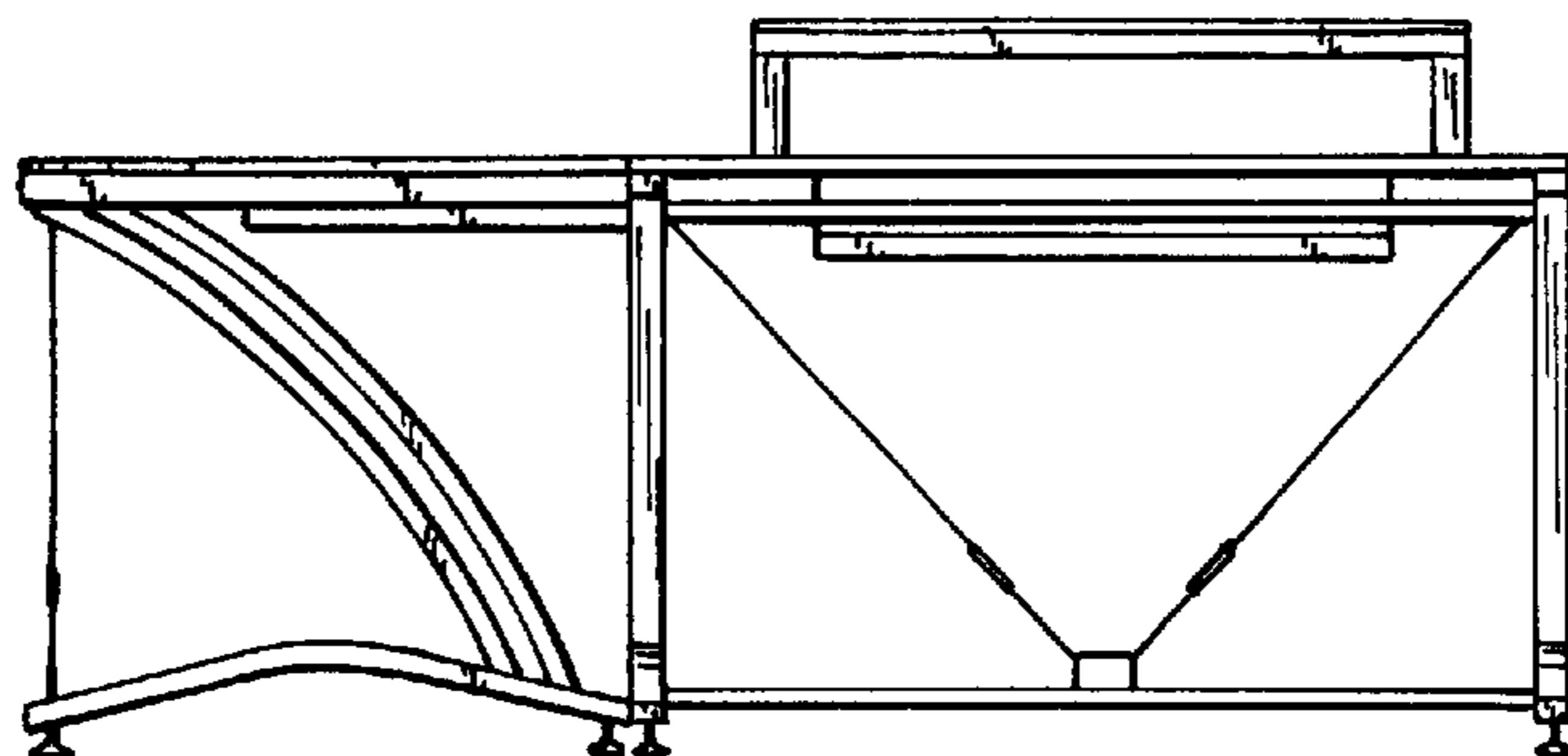


FIG. 6.