



US00D474354S

(12) **United States Design Patent**
Mandell

(10) **Patent No.:** **US D474,354 S**

(45) **Date of Patent:** **** May 13, 2003**

(54) **BEDDING DISPLAY STAND**

(75) Inventor: **Neil Mandell**, Metuchen, NJ (US)

(73) Assignee: **Franco Manufacturing Co., Inc.**,
Metuchen, NJ (US)

(**) Term: **14 Years**

(21) Appl. No.: **29/159,754**

(22) Filed: **Apr. 26, 2002**

(51) **LOC (7) Cl.** **06-04**

(52) **U.S. Cl.** **D6/475**

(58) **Field of Search** D6/449, 464, 466,
D6/474, 475, 476; D34/18, 24; 248/174;
211/85.3, 128.1; 280/651

(56) **References Cited**

U.S. PATENT DOCUMENTS

1,896,721	A	*	2/1933	Richards	248/174
3,285,620	A	*	11/1966	Mitty et al.	280/47.26
D226,701	S	*	4/1973	Gallat	D6/473
D280,160	S	*	8/1985	Silver	D6/475
D289,838	S	*	5/1987	Taub	D6/475
D297,084	S	*	8/1988	Silver	D6/476
5,125,675	A	*	6/1992	Engelbrecht	280/37
D328,203	S	*	7/1992	Allen	D6/437
D352,147	S	*	11/1994	Dyment et al.	D34/24

5,560,692	A	*	10/1996	Smith	312/114
5,711,438	A	*	1/1998	Smith	211/149
D421,326	S	*	2/2000	Lewis	D34/24
D425,332	S	*	5/2000	Buchanan et al.	D6/473
6,105,796	A	*	8/2000	Buchanan et al.	211/128.1
D436,266	S	*	1/2001	Buchanan et al.	D6/474
D438,403	S	*	3/2001	Greenburg	D6/466
D450,485	S	*	11/2001	Buchanan et al.	D6/474

* cited by examiner

Primary Examiner—Cathron C. Brooks

(74) *Attorney, Agent, or Firm*—Amster, Rothstein & Ebenstein

(57) **CLAIM**

The ornamental design for a bedding display stand, as shown and described.

DESCRIPTION

FIG. 1 is an isometric view of a bedding display stand showing my new design;
FIG. 2 is a front elevational view thereof;
FIG. 3 is a rear elevational view thereof;
FIG. 4 is a side elevational view thereof, the other side being a mirror image thereof;
FIG. 5 is a top plan view thereof; and,
FIG. 6 is a bottom plan view thereof.

1 Claim, 6 Drawing Sheets

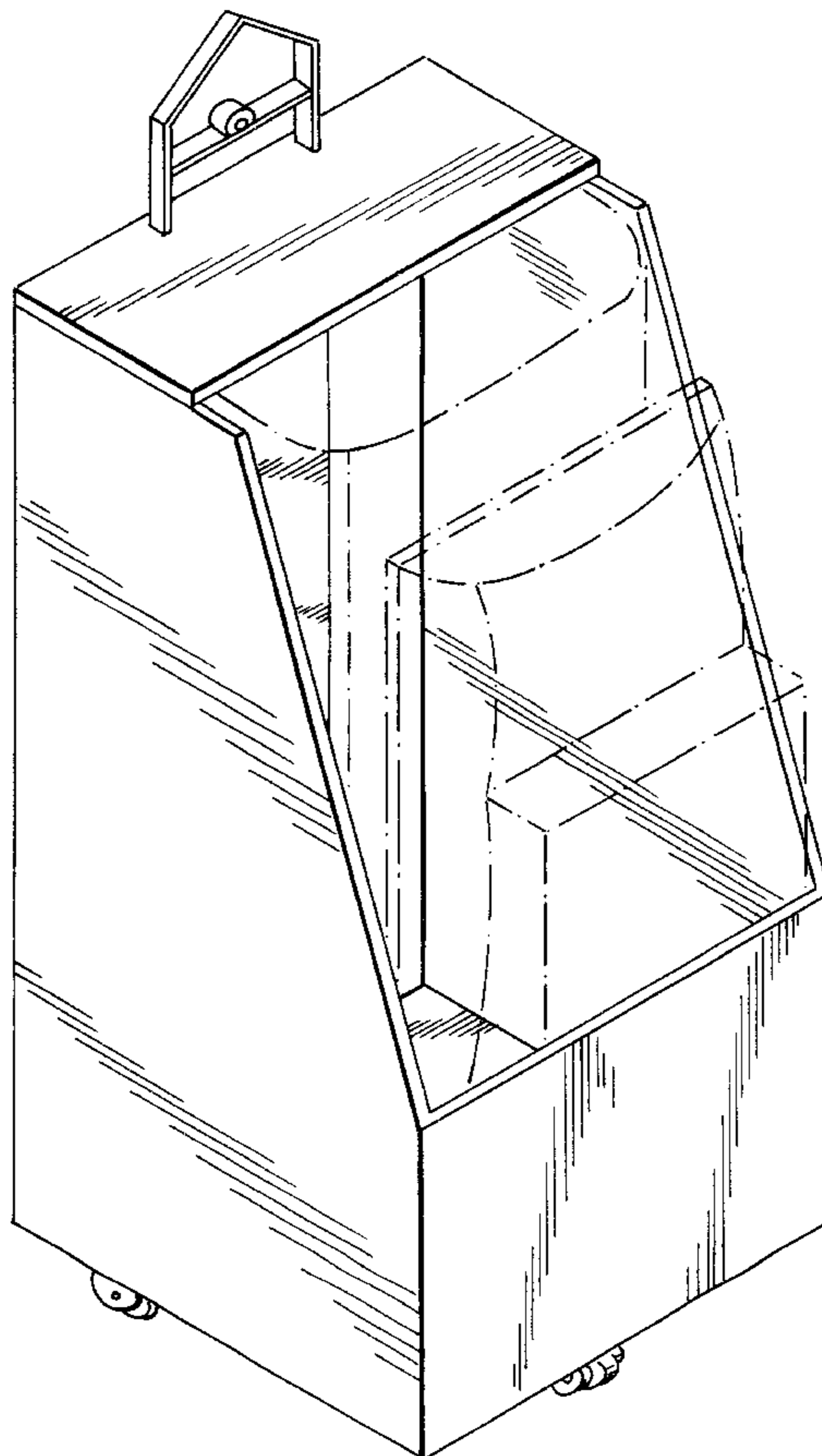


FIG. 1

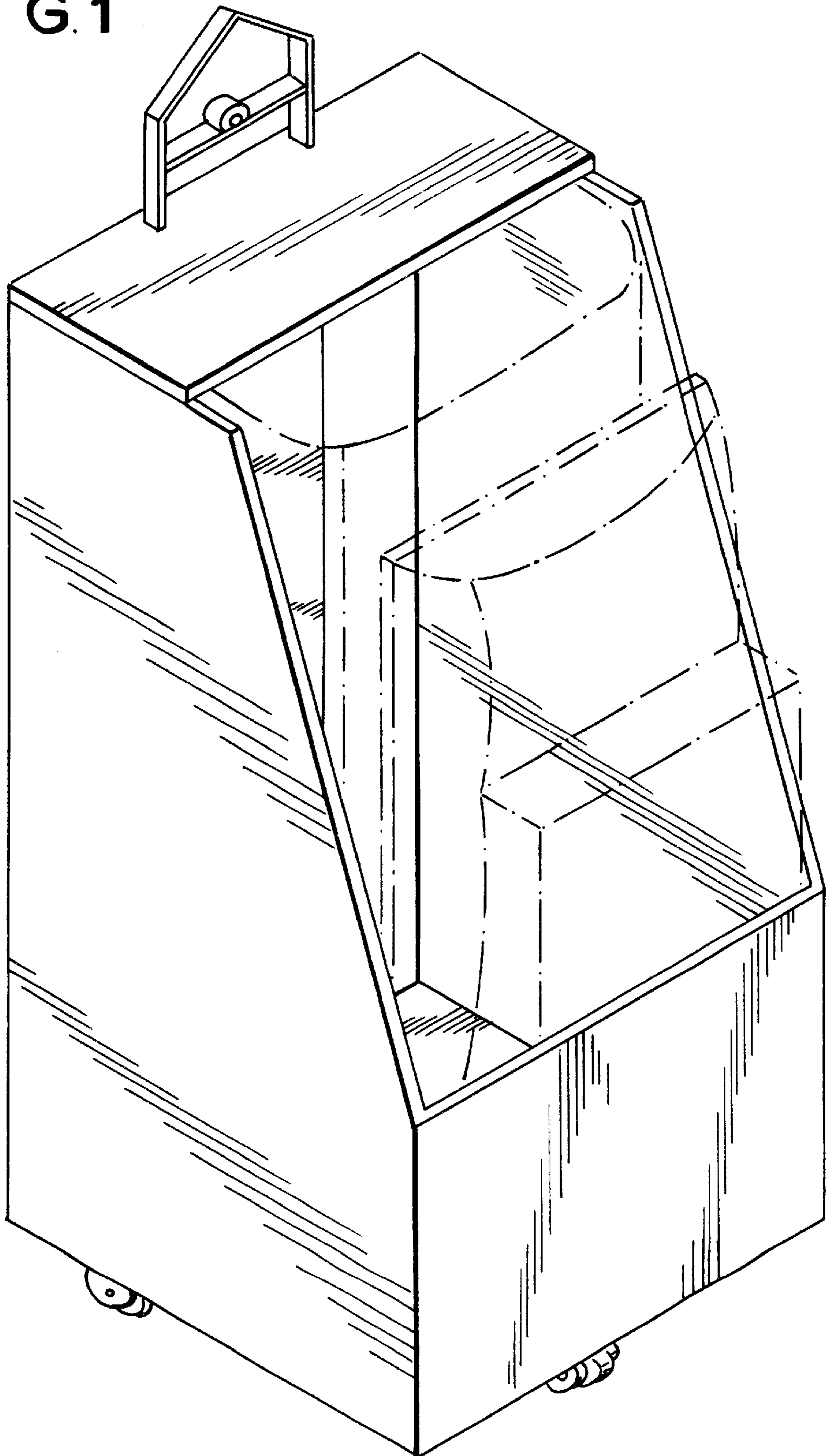


FIG. 2

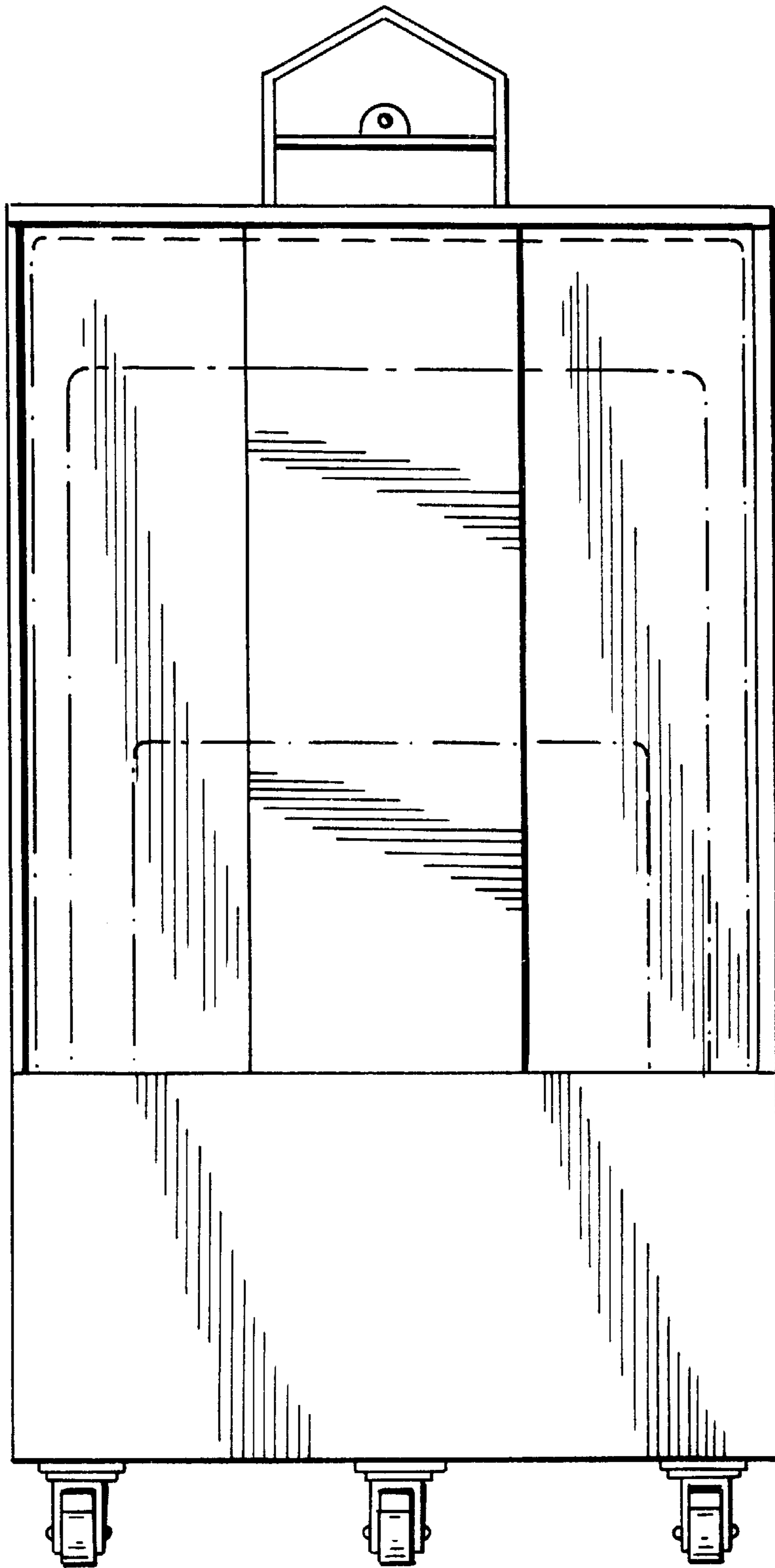


FIG. 3

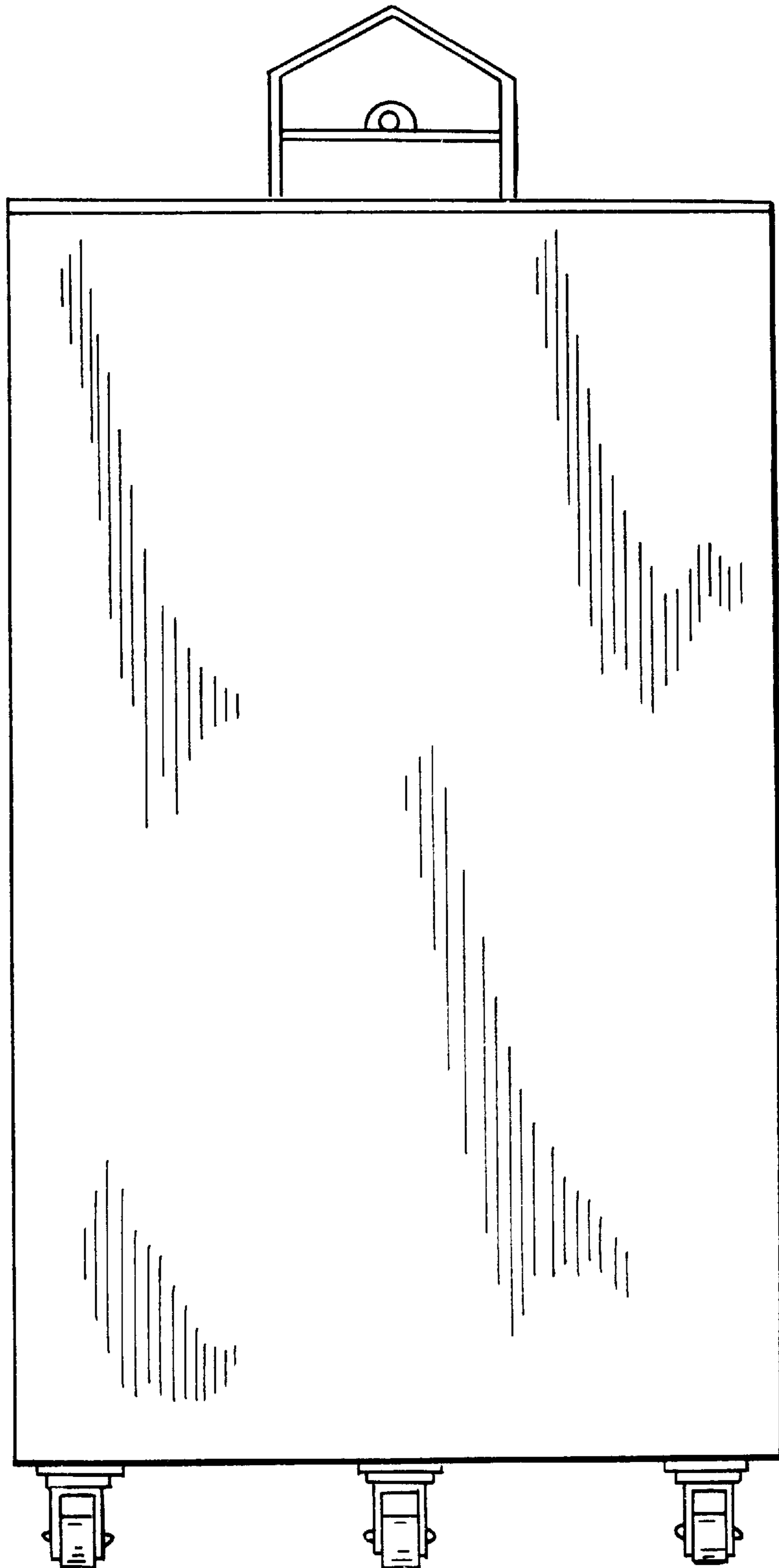


FIG. 4

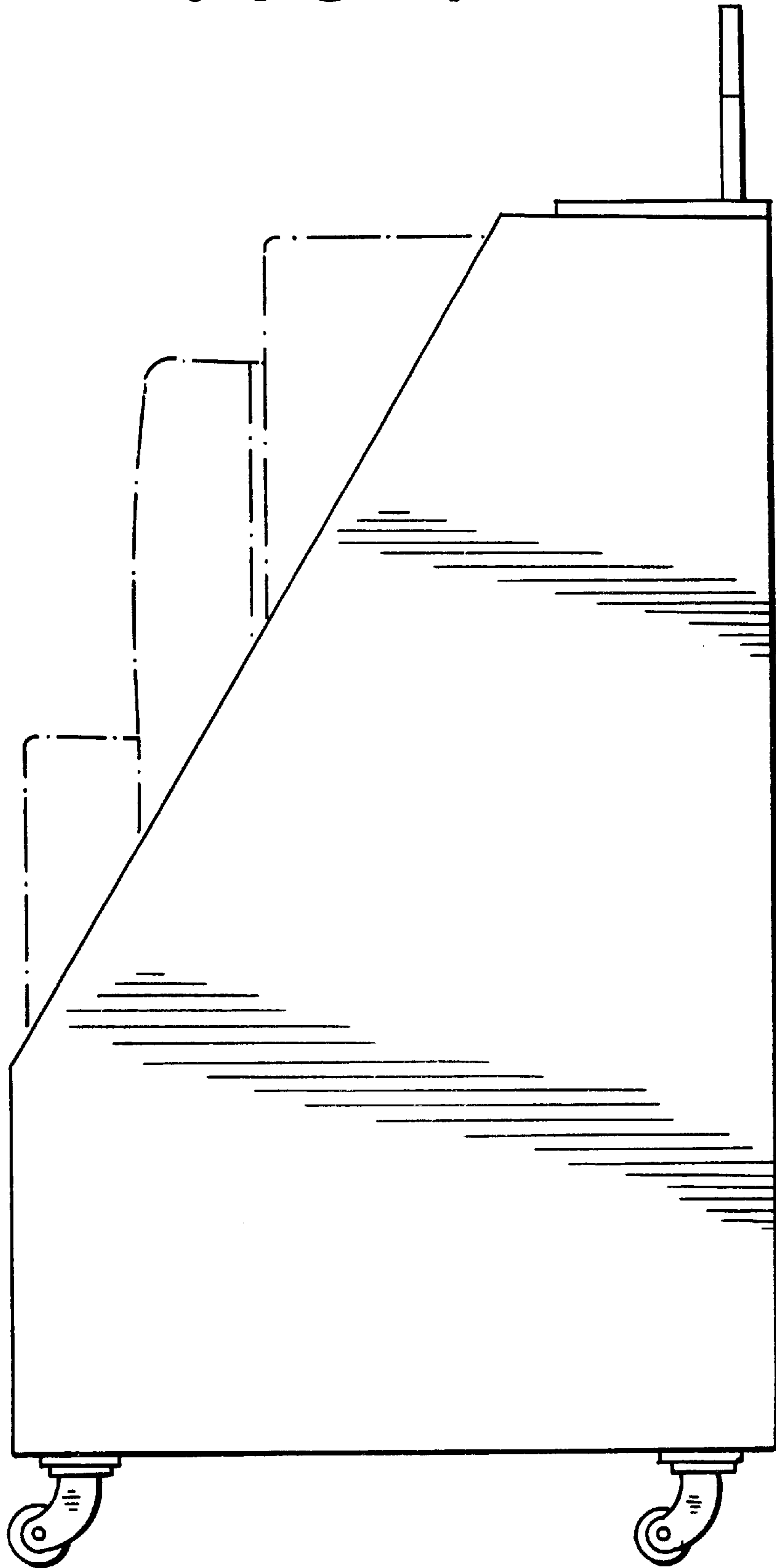


FIG. 5

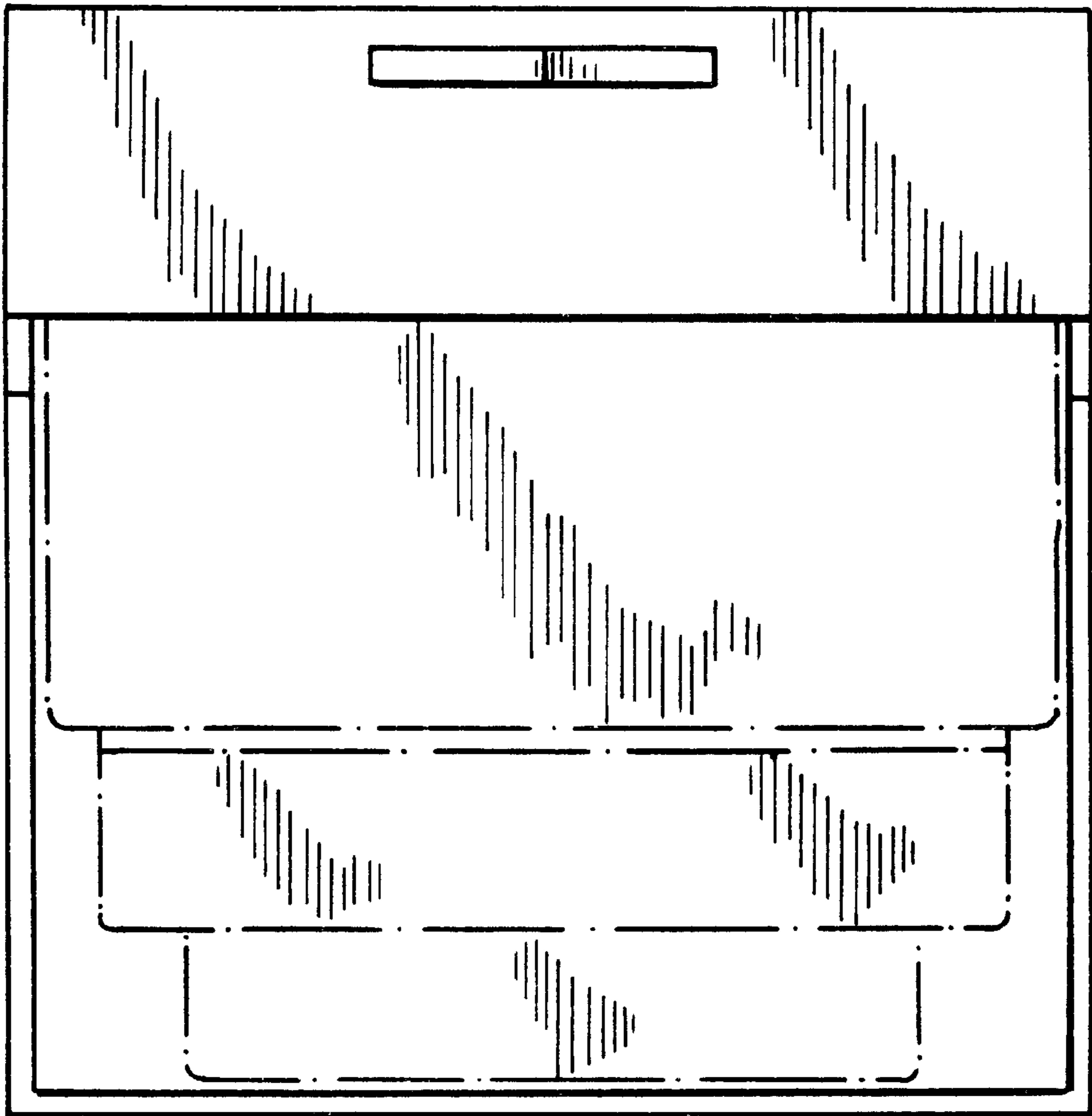


FIG. 6

