



US00D474350S

(12) **United States Design Patent**
Sardis

(10) **Patent No.:** **US D474,350 S**

(45) **Date of Patent:** **** May 13, 2003**

(54) **CLOTHING RACK**

D456,167 S * 4/2002 Harwanko D6/410

(76) Inventor: **Peter Sardis**, 159-44 83rd St., Howard Beach, NY (US) 11414

* cited by examiner

(**) Term: **14 Years**

Primary Examiner—Cathron C. Brooks

(74) *Attorney, Agent, or Firm*—Notaro & Michalos P.C.

(21) Appl. No.: **29/163,761**

(57) **CLAIM**

(22) Filed: **Jul. 11, 2002**

The ornamental design for a clothing rack, as shown and described.

(51) **LOC (7) Cl.** **06-04**

DESCRIPTION

(52) **U.S. Cl.** **D6/411**

(58) **Field of Search** D6/396, 410, 411,
D6/413, 414, 415; 211/85.3, 85.8, 206;
280/651

FIG. 1 is a front, left top perspective view of a clothing rack, showing my new design therefor;

FIG. 2 is a left side elevational view thereof;

FIG. 3 is a right side elevational view thereof;

FIG. 4 is a front elevational view thereof;

FIG. 5 is a rear elevational view thereof;

FIG. 6 is a top plan view thereof; and,

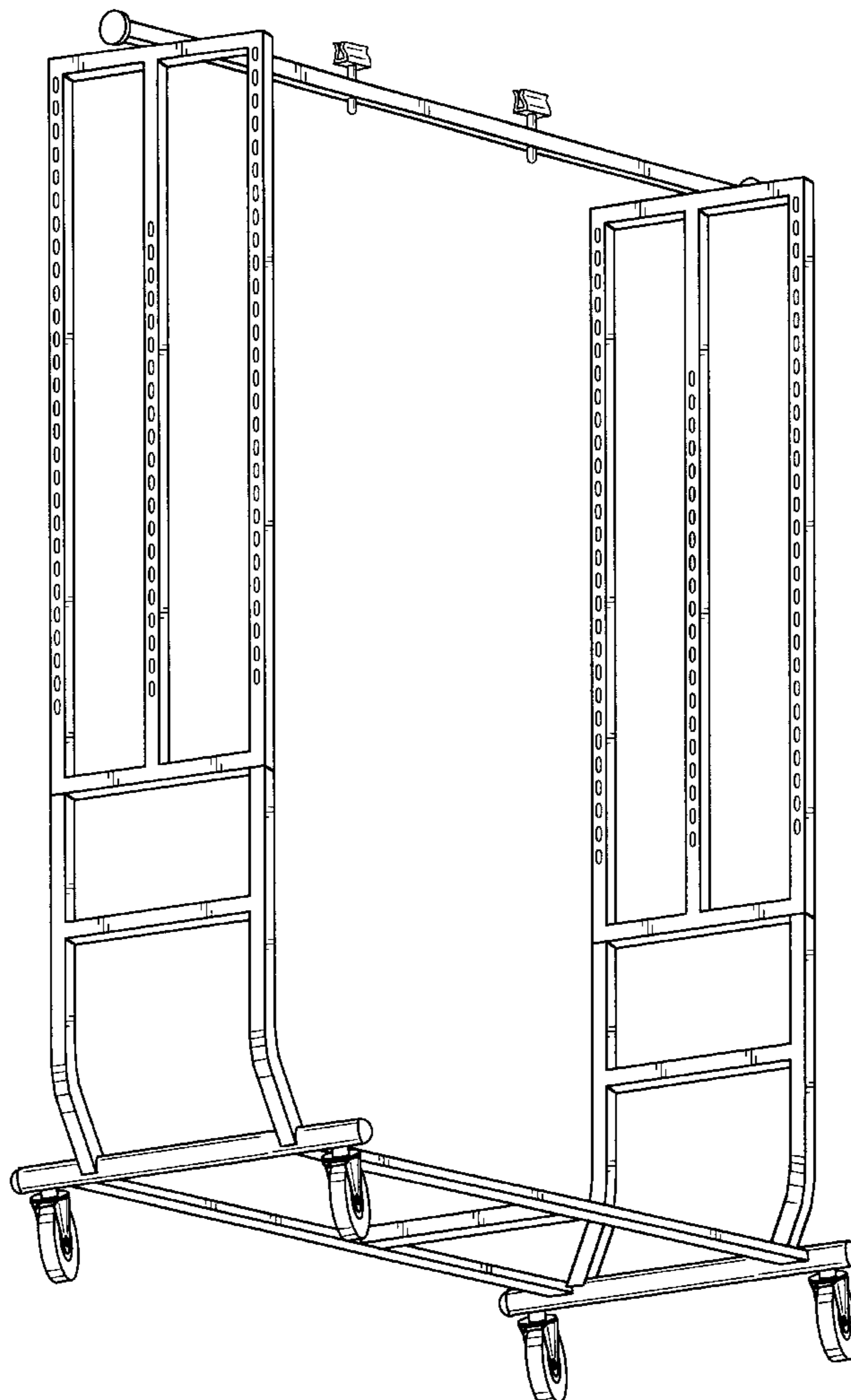
FIG. 7 is a bottom plan view thereof.

(56) **References Cited**

U.S. PATENT DOCUMENTS

- D131,907 S * 4/1942 Sarvis D6/411
- 5,090,725 A * 2/1992 Feldner 211/189
- 5,190,305 A * 3/1993 Putman 211/182
- D450,948 S * 11/2001 Stafford et al. D6/411

1 Claim, 7 Drawing Sheets



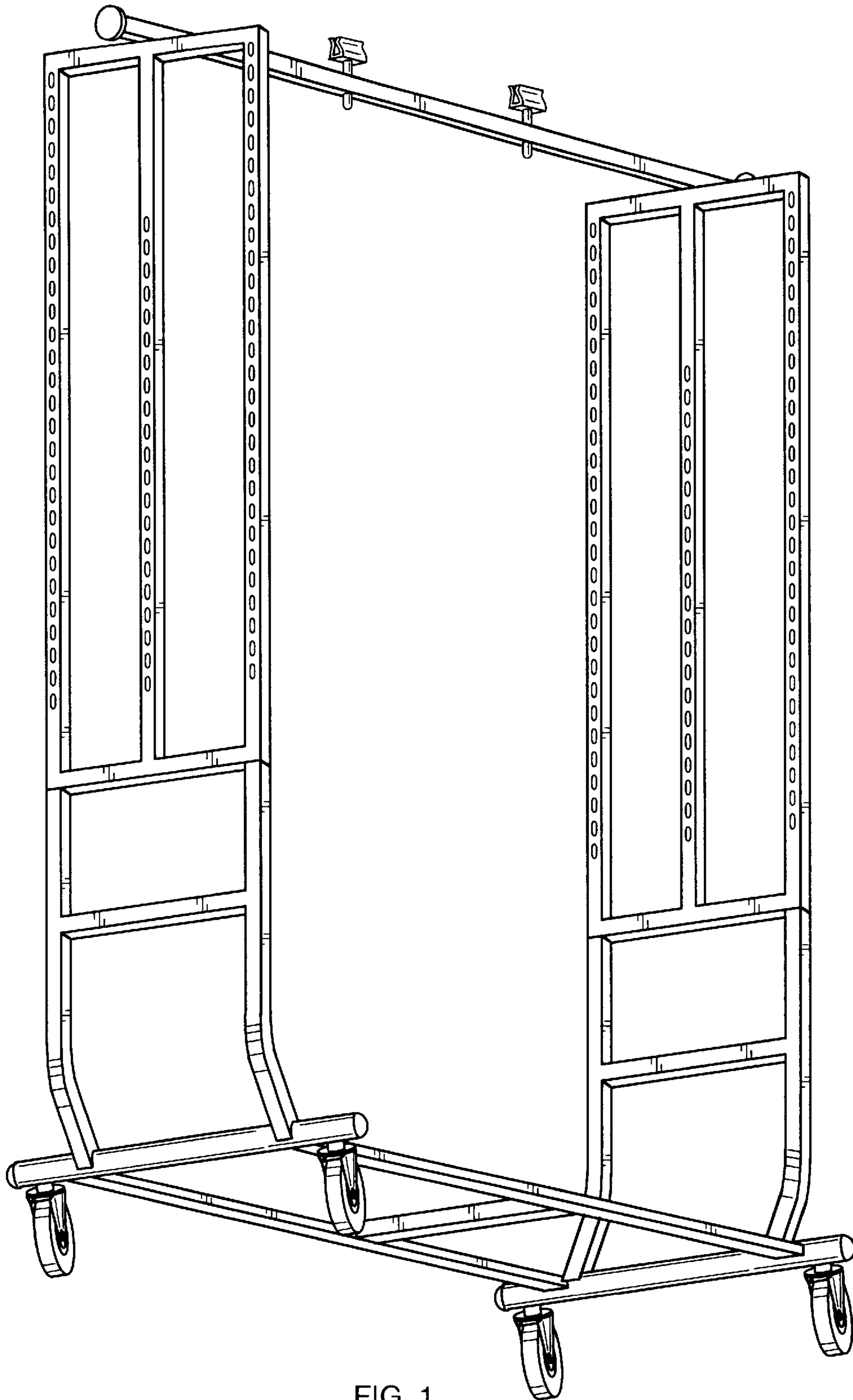


FIG. 1

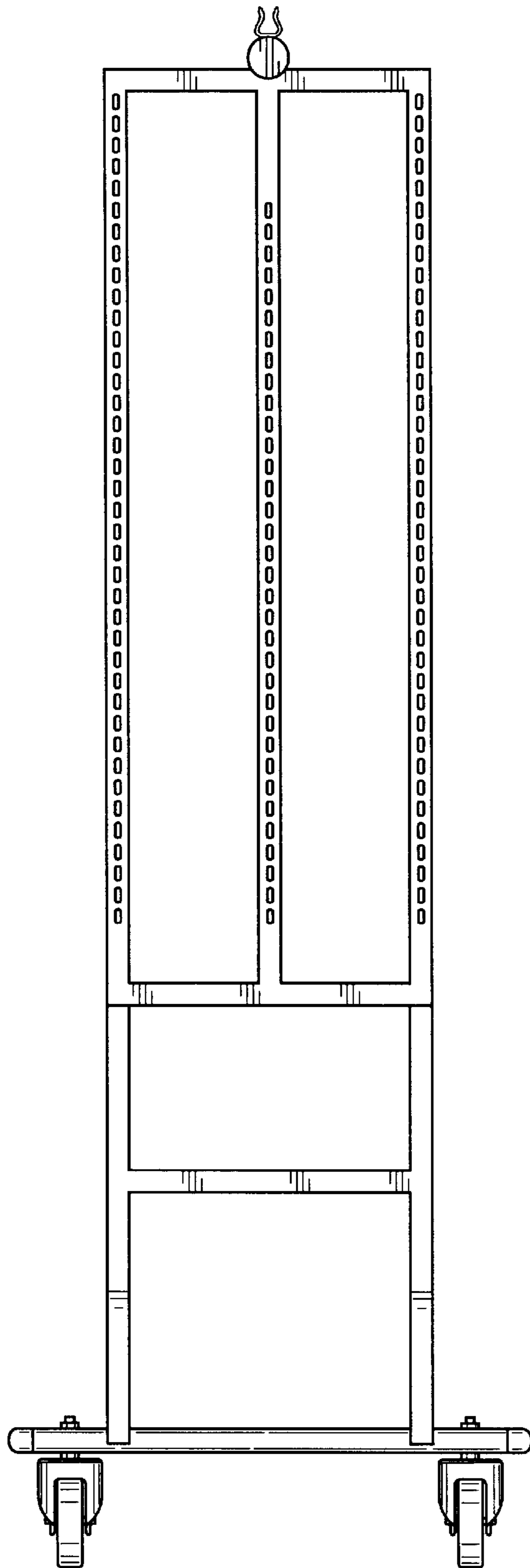


FIG. 2

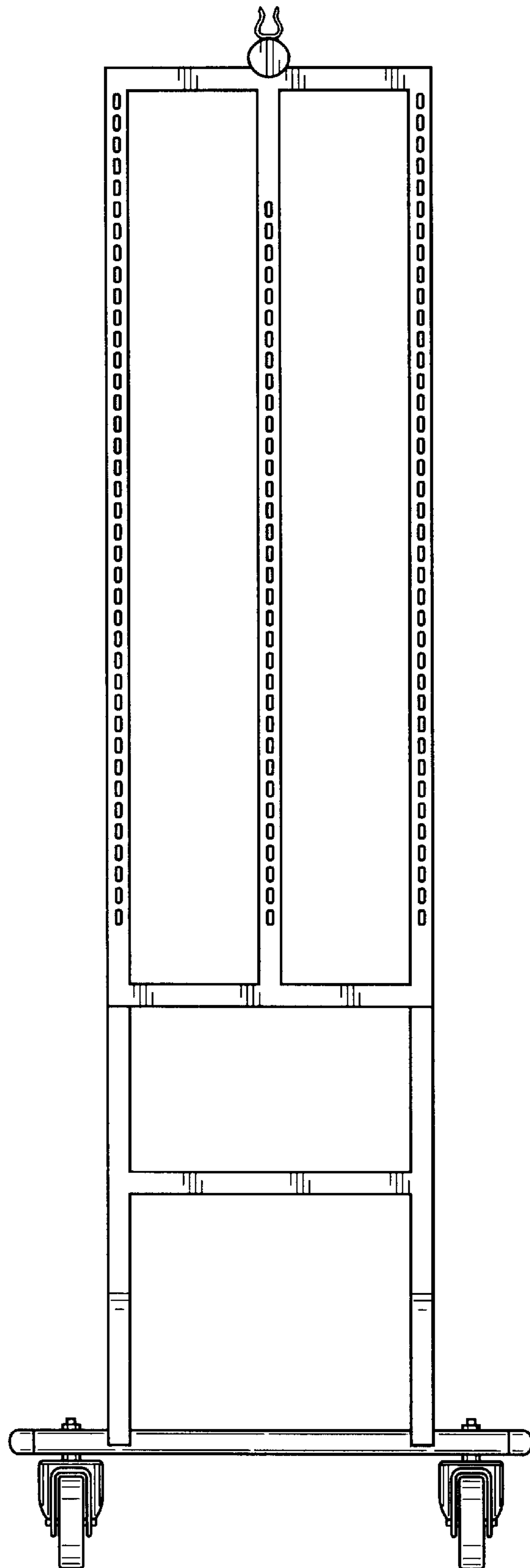


FIG. 3

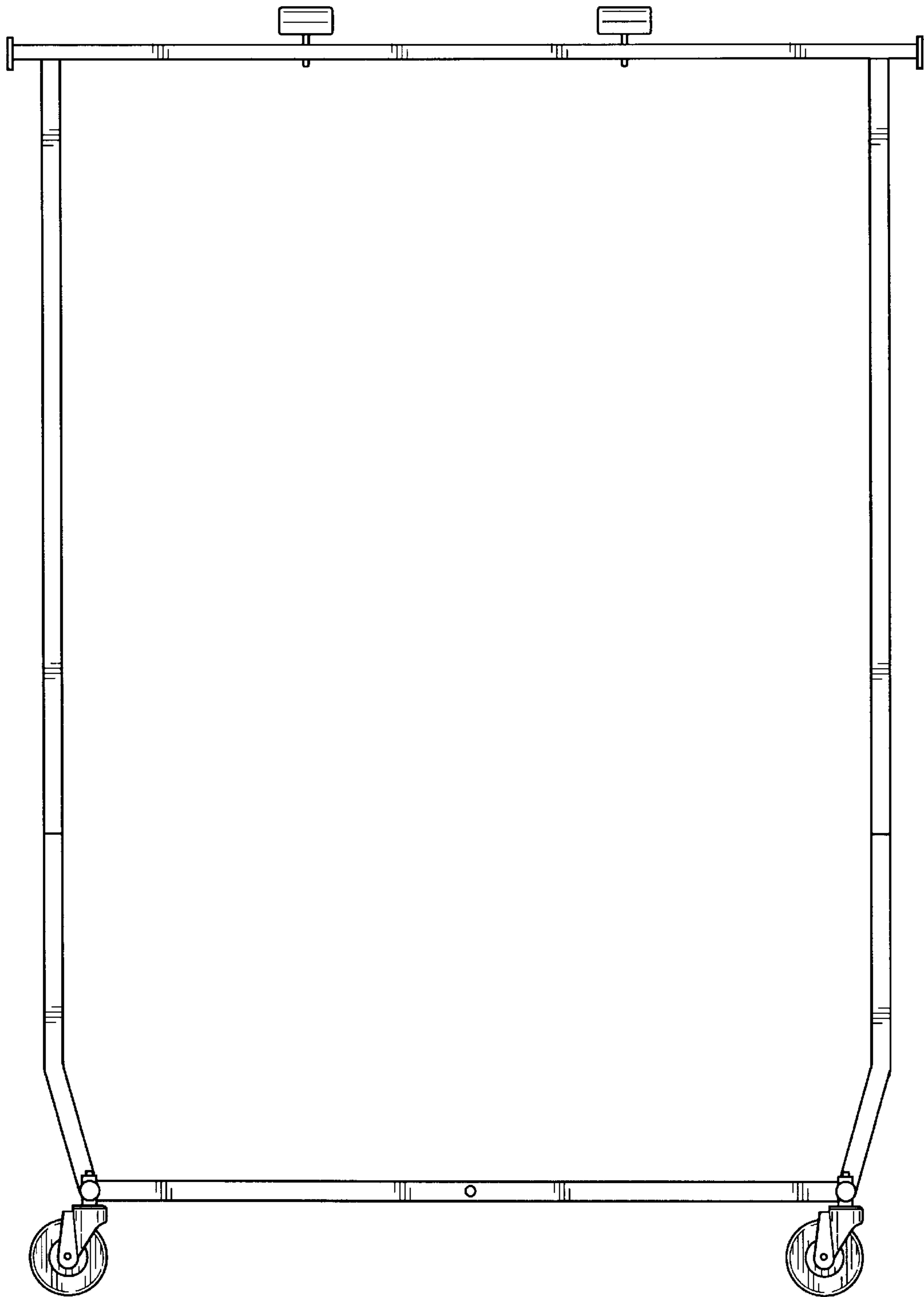


FIG. 4

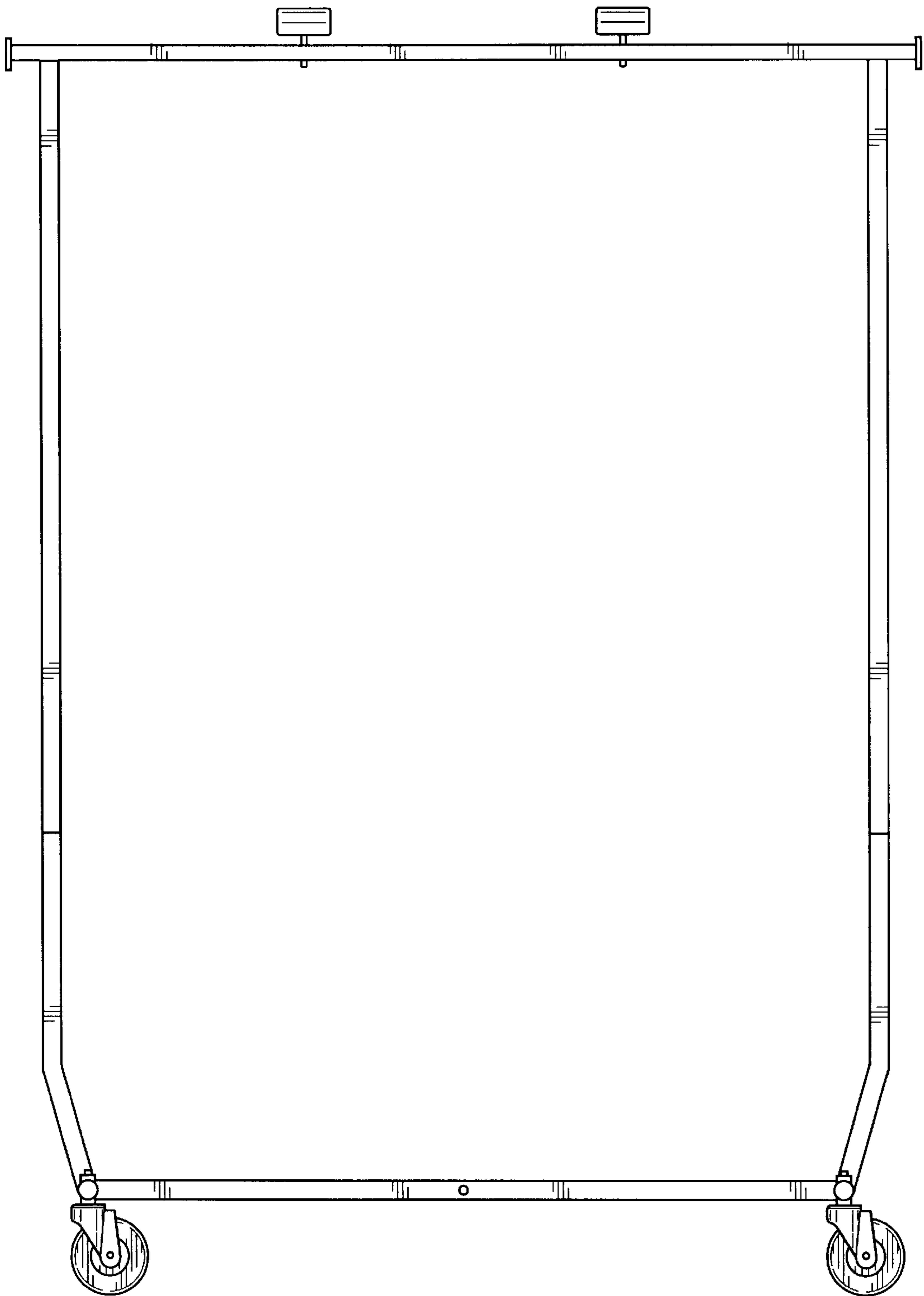


FIG. 5

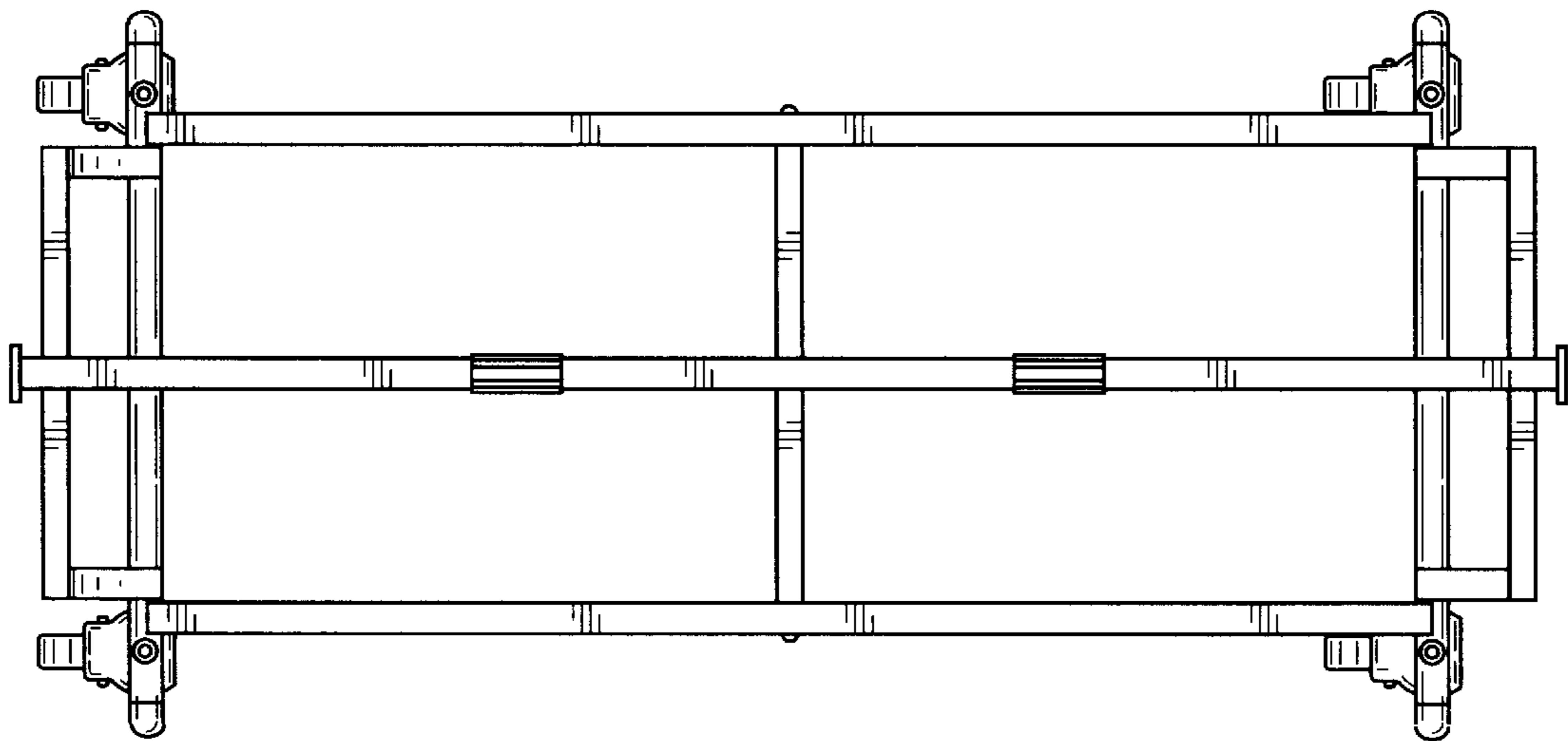


FIG. 6

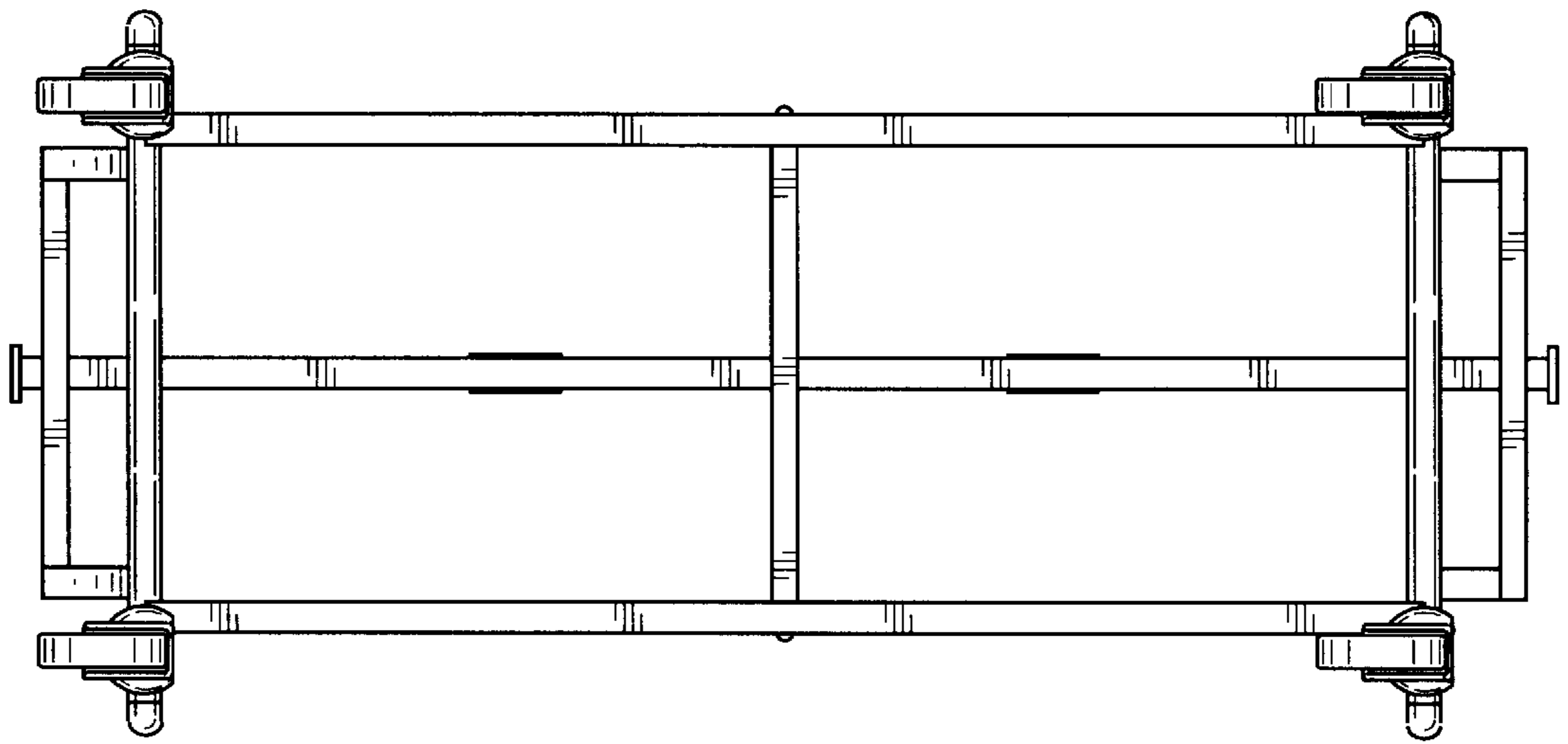


FIG. 7