



US00D474347S

(12) **United States Design Patent**
Hutton

(10) **Patent No.:** **US D474,347 S**

(45) **Date of Patent:** **** May 13, 2003**

(54) **RATTAN CHAIR**

DESCRIPTION

(75) Inventor: **John Hutton**, West Islip, NY (US)

(73) Assignee: **Sutherland**, Dallas, TX (US)

(**) Term: **14 Years**

(21) Appl. No.: **29/158,212**

(22) Filed: **Mar. 29, 2002**

(51) **LOC (7) Cl.** **06-01**

(52) **U.S. Cl.** **D6/369**

(58) **Field of Search** D6/334, 335, 369,
D6/370, 374, 379, 380, 500, 501, 502;
297/445.1, 446.1, 451.9, 452.64

(56) **References Cited**

U.S. PATENT DOCUMENTS

D165,914 S	*	2/1952	Grundy	D6/369
D182,888 S	*	5/1958	Forbes	D6/369
3,504,942 A	*	4/1970	Wong	297/451.9
D329,545 S	*	9/1992	Fong	D6/369
D380,309 S	*	7/1997	Diaz-Azcuy	D6/369
D380,311 S	*	7/1997	Diaz-Azcuy	D6/369
D411,693 S	*	6/1999	Navone	D6/369
D439,068 S	*	3/2001	Vanderbyl	D6/379
D446,956 S	*	8/2001	Black	D6/369

* cited by examiner

Primary Examiner—Gary D. Watson

(74) *Attorney, Agent, or Firm*—Gardere Wynne Sewell LLP

(57) **CLAIM**

The ornamental design for a rattan chair, as shown and described.

FIG. 1 is a perspective view of the rattan chair with armrests in accordance with my invention;

FIG. 2 is a front elevation view of the rattan chair shown in FIG. 1;

FIG. 3 is a rear elevation view of the rattan chair shown in FIG. 1;

FIG. 4 is a right side elevation view of the rattan chair shown in FIG. 1;

FIG. 5 is a left side elevation view of the rattan chair shown in FIG. 1;

FIG. 6 is a top plan view of the rattan chair shown in FIG. 1;

FIG. 7 is a bottom plan view of the rattan chair shown in FIG. 1;

FIG. 8 is a perspective view of the rattan chair without armrests in accordance with my invention;

FIG. 9 is a front elevation view of the rattan chair shown in FIG. 8;

FIG. 10 is a rear elevation view of the rattan chair shown in FIG. 8;

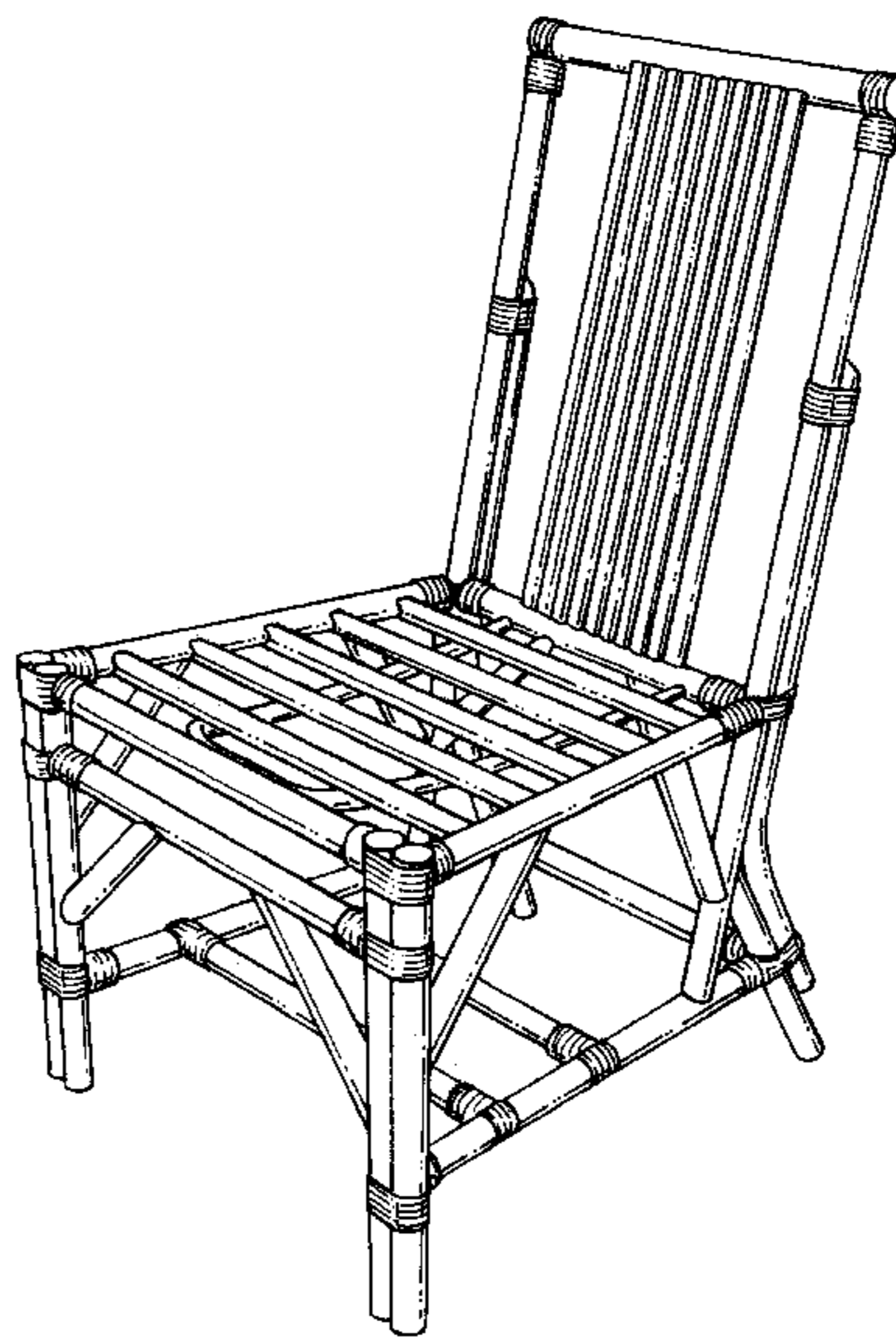
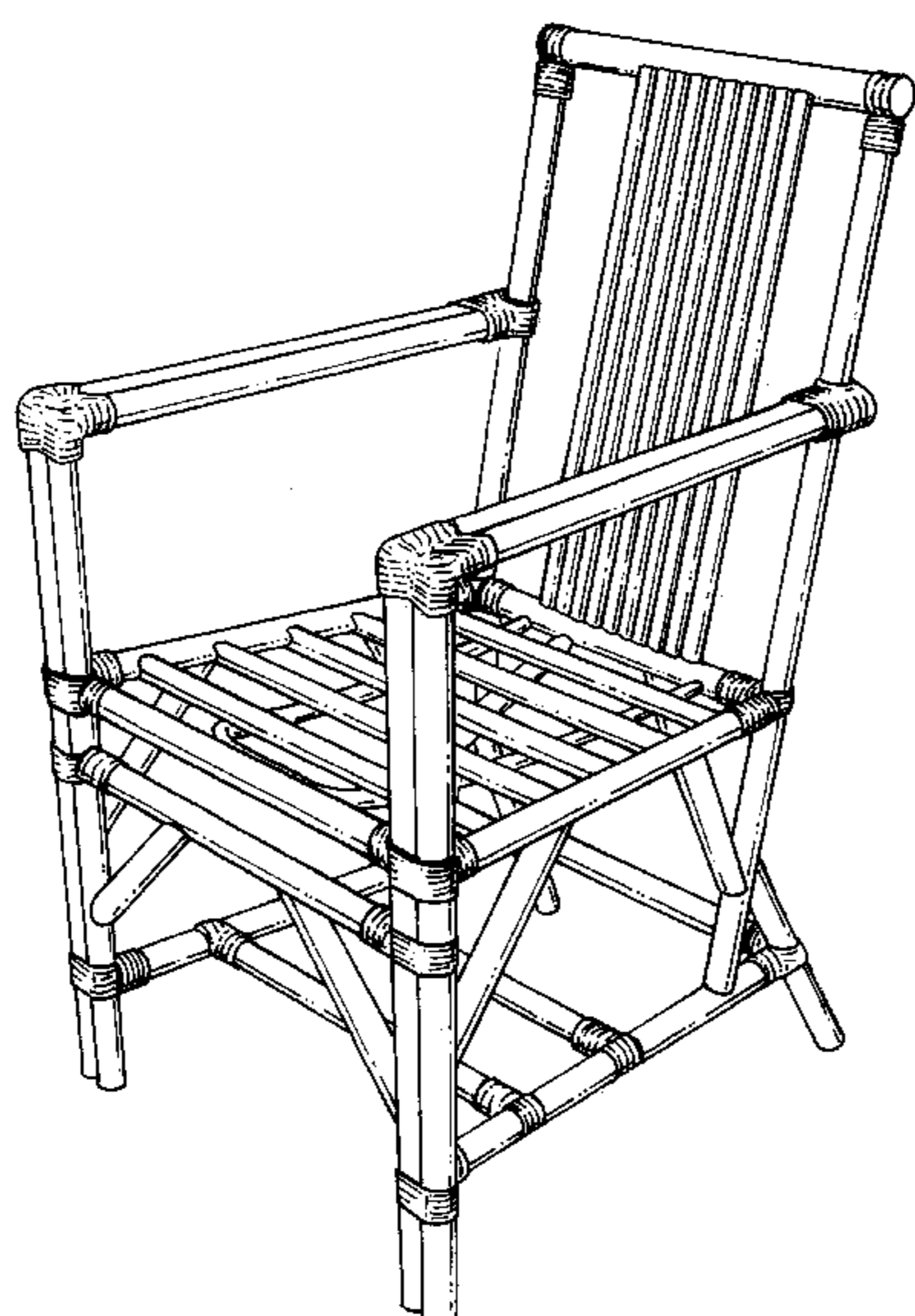
FIG. 11 is a right side elevation view of the rattan chair shown in FIG. 8;

FIG. 12 is a left side elevation view of the rattan chair shown in FIG. 8;

FIG. 13 is a top plan view of the rattan chair shown in FIG. 8; and,

FIG. 14 is a bottom plan view of the rattan chair shown in FIG. 8.

1 Claim, 12 Drawing Sheets



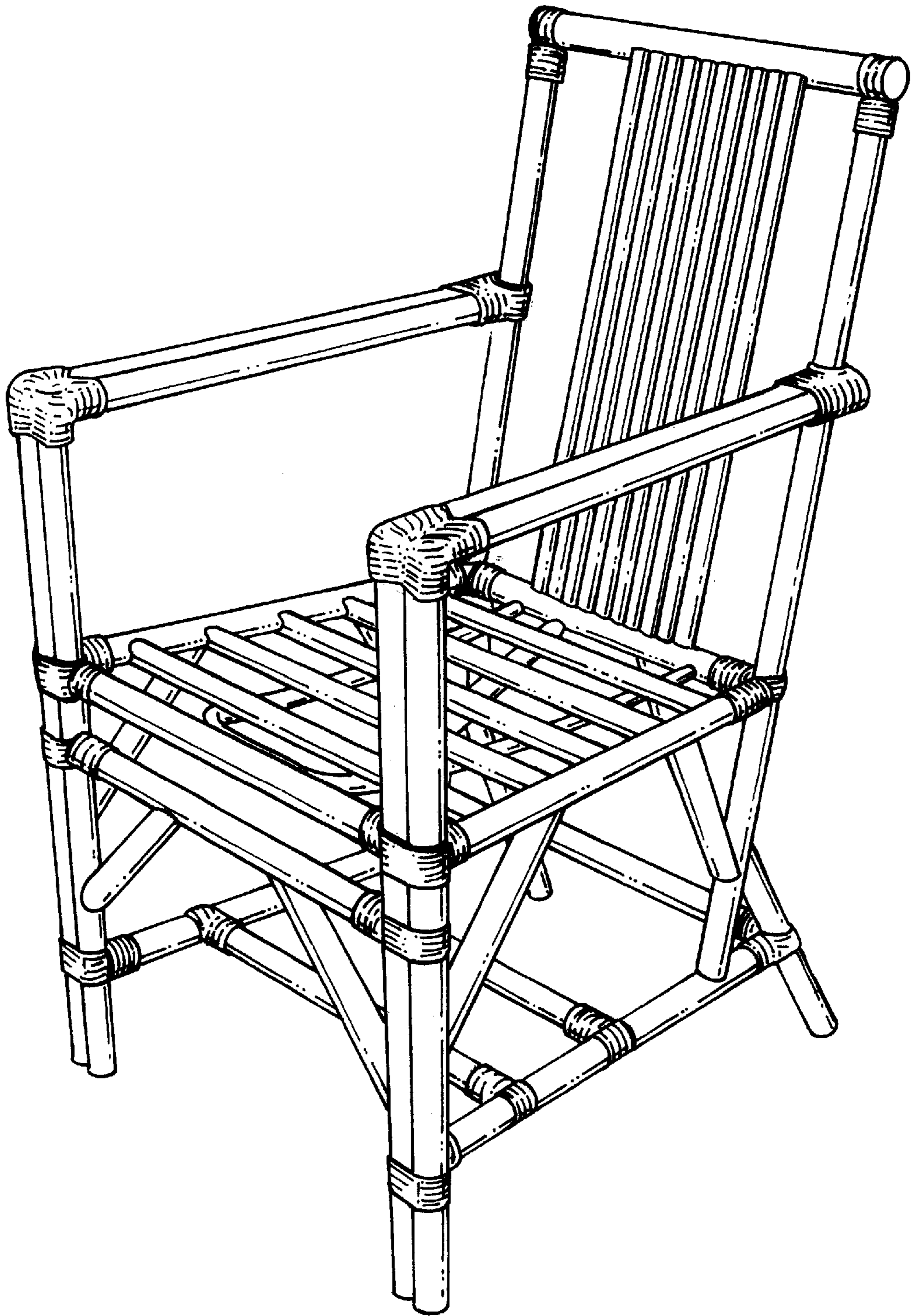


FIG. 1

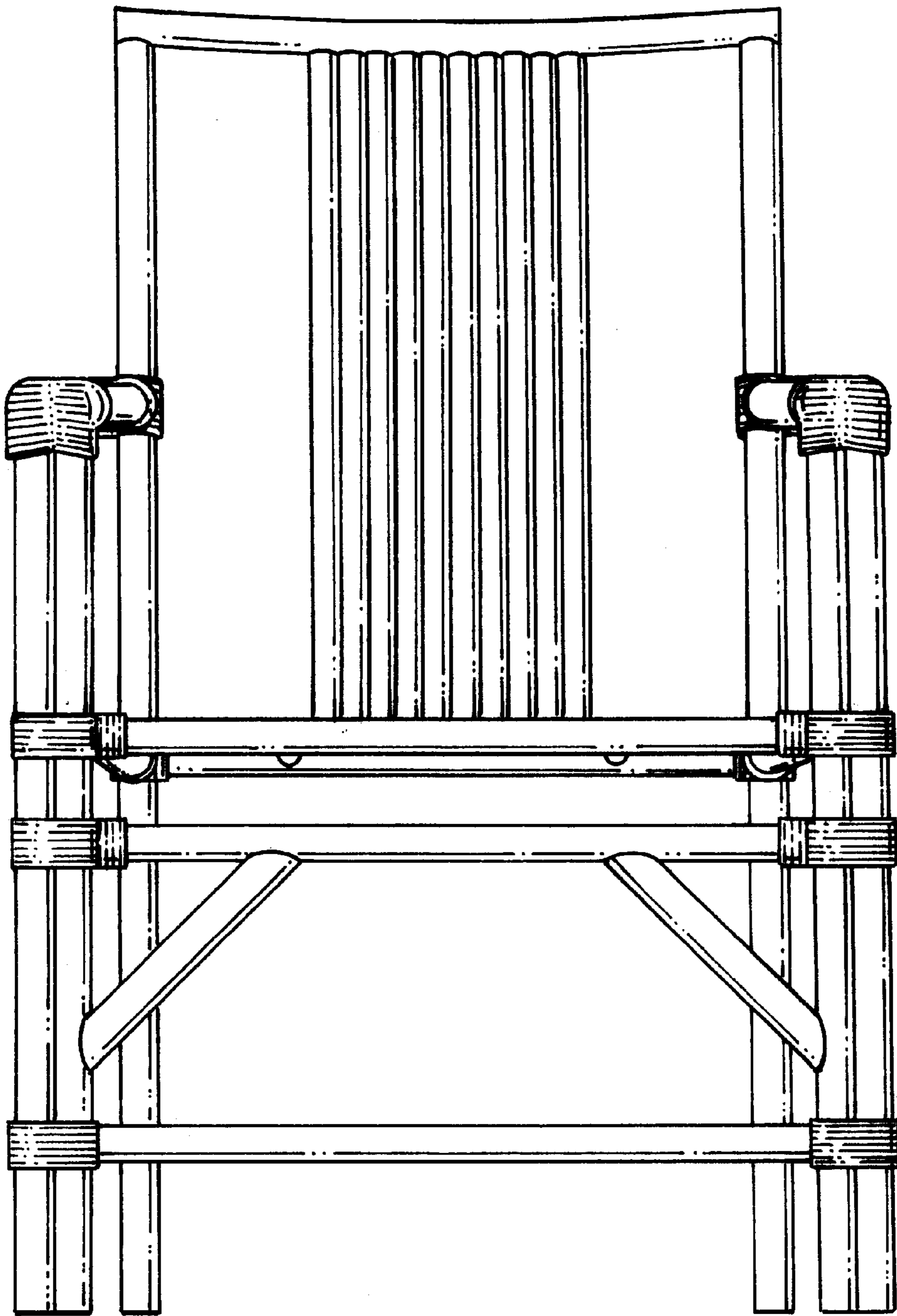


FIG. 2

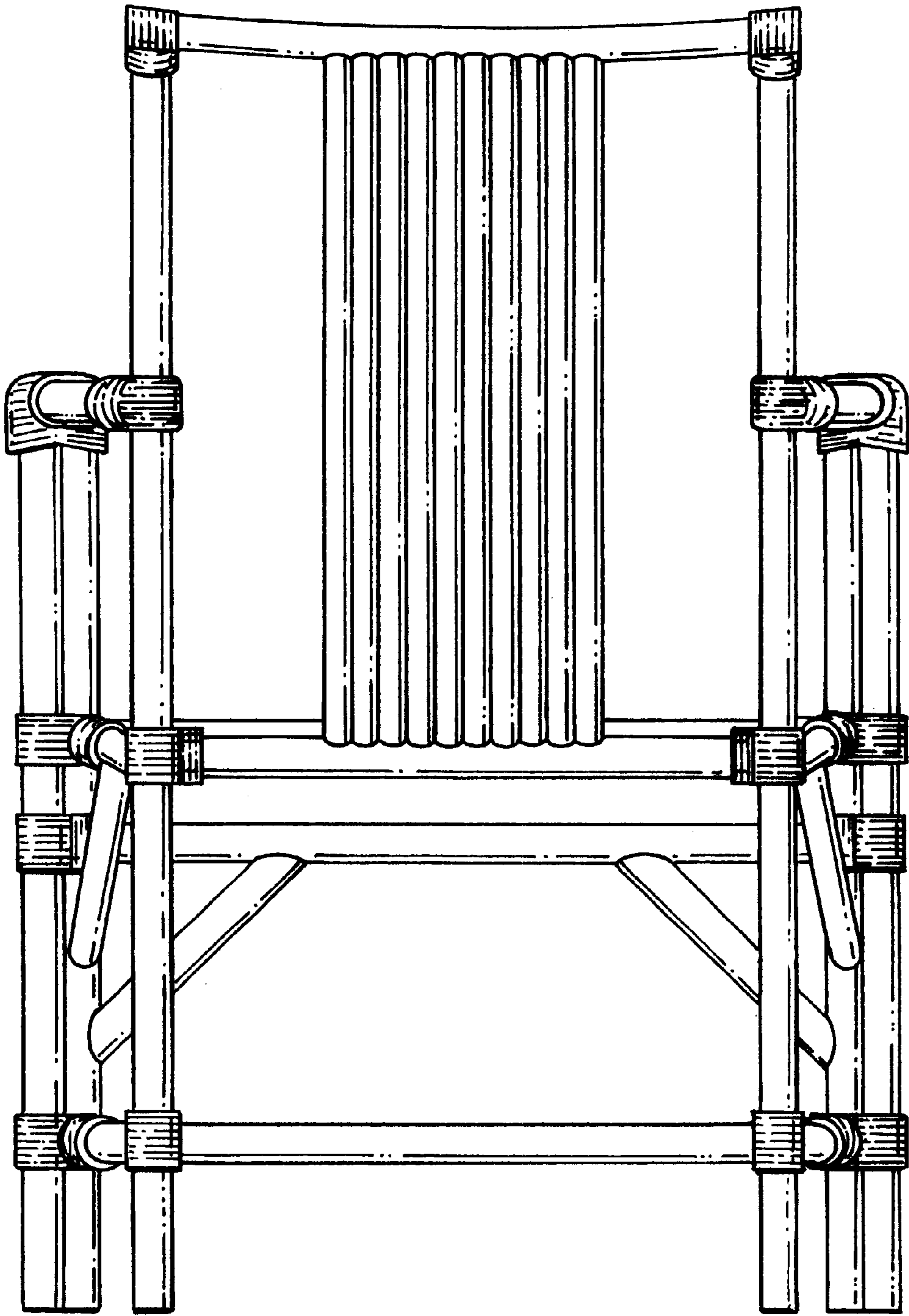


FIG. 3

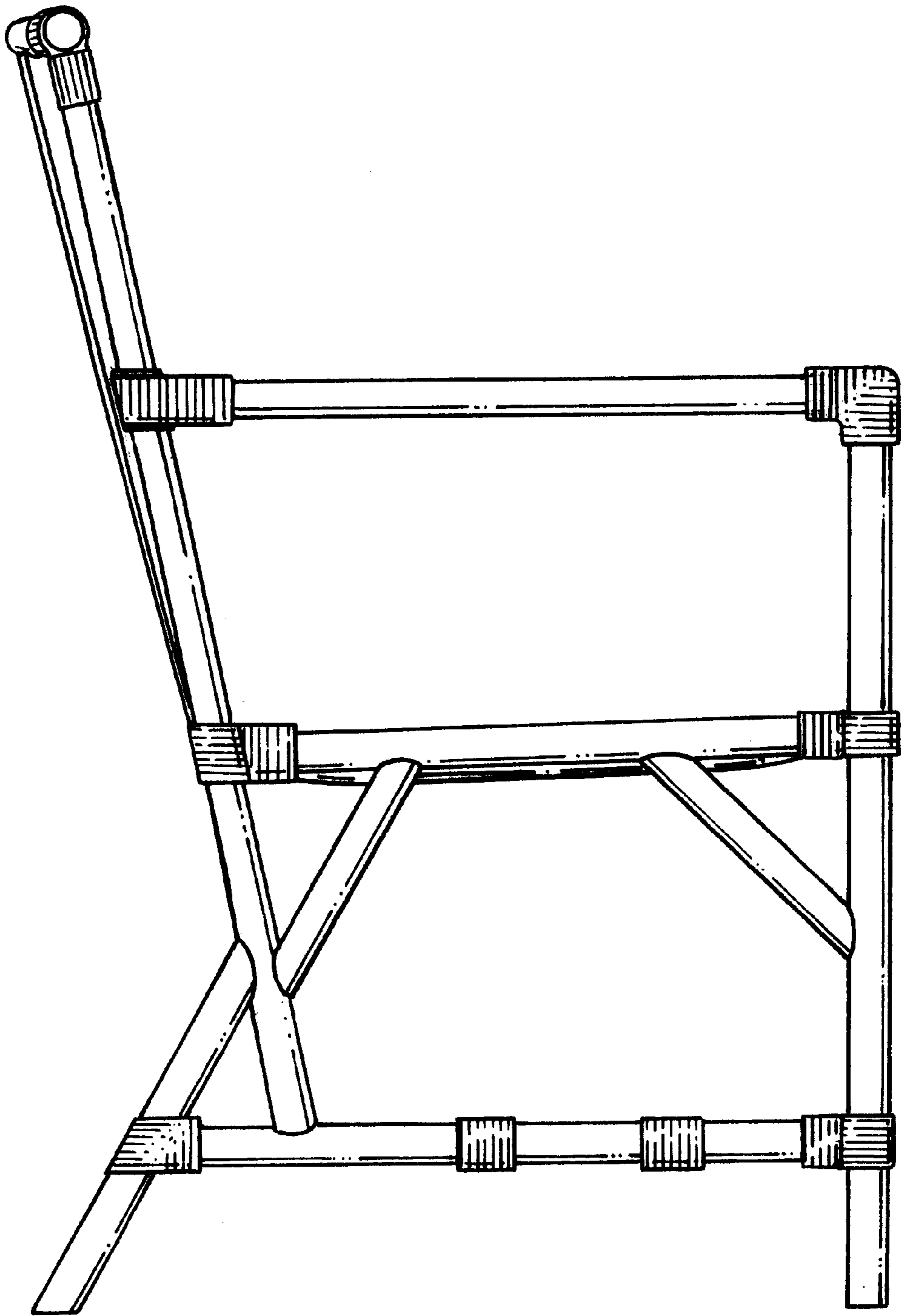


FIG. 4

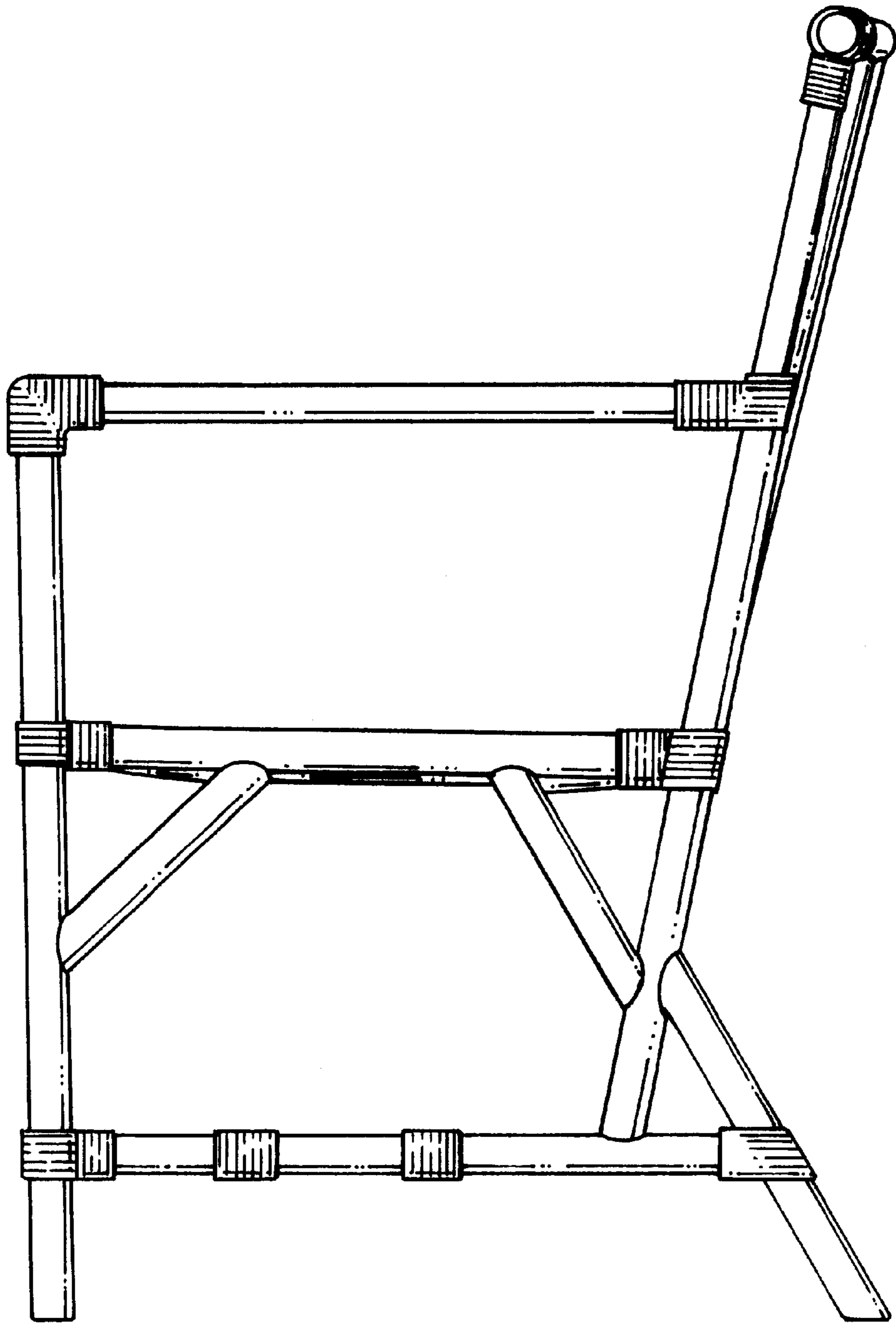


FIG. 5

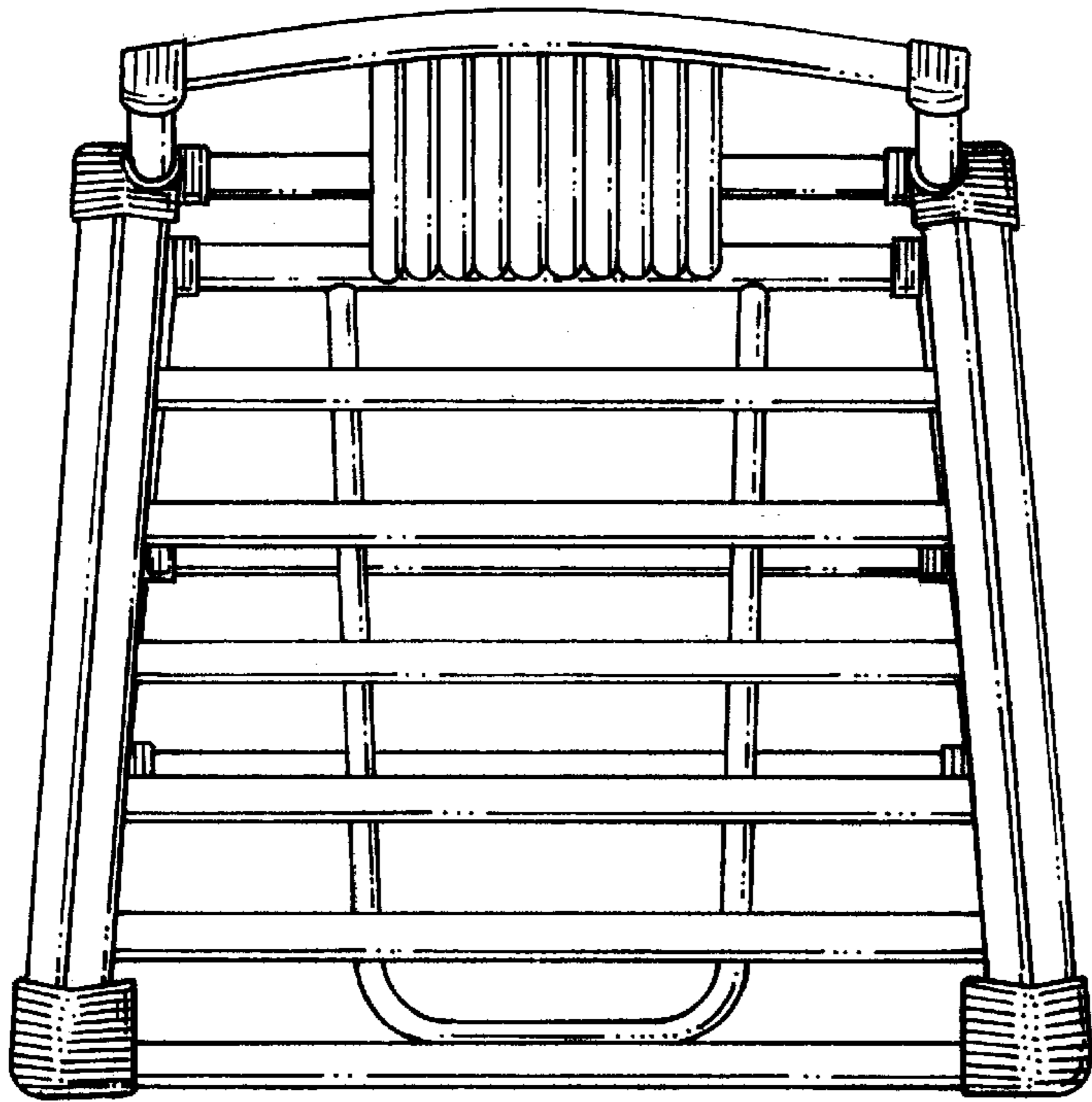


FIG. 6

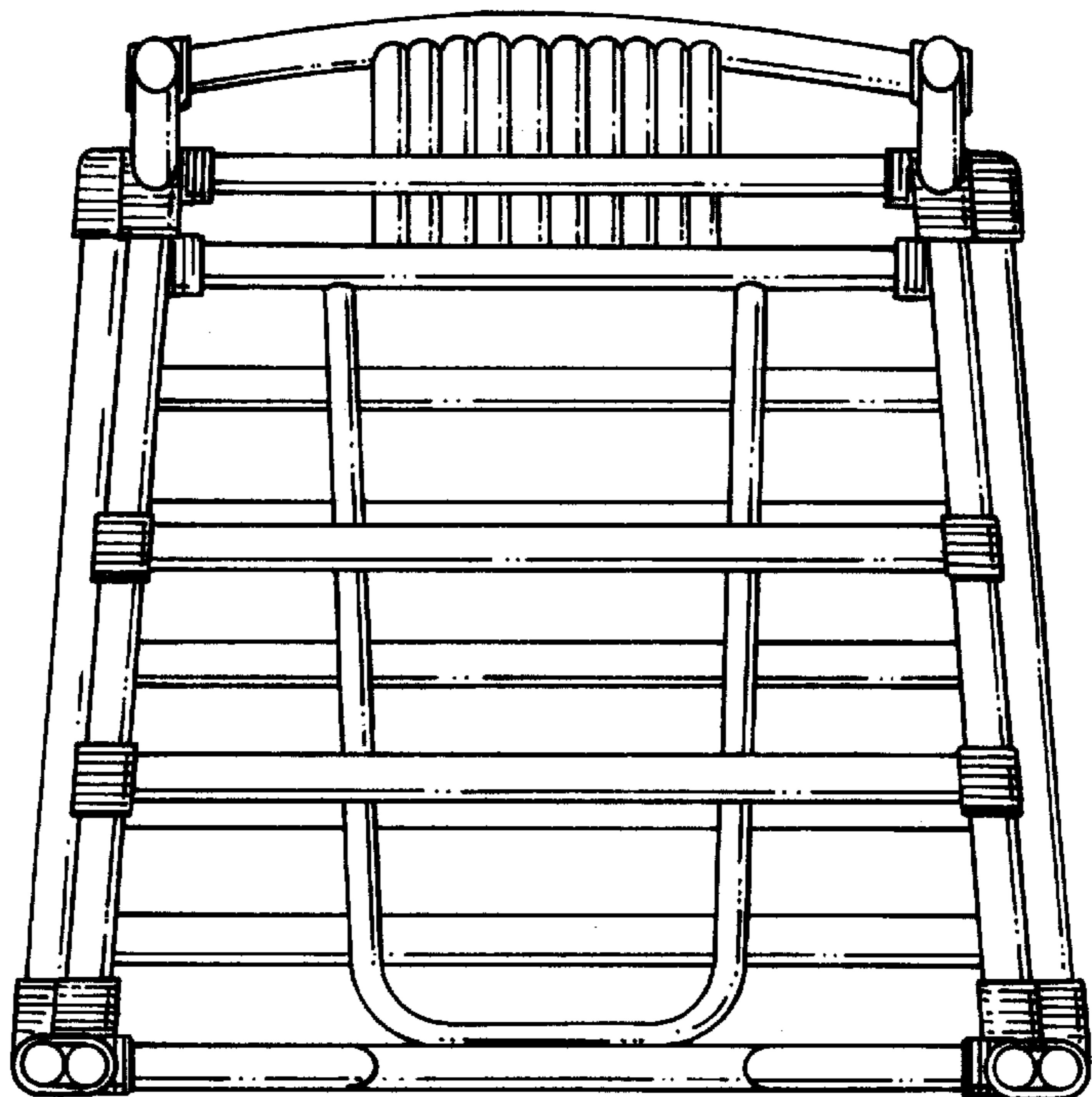


FIG. 7

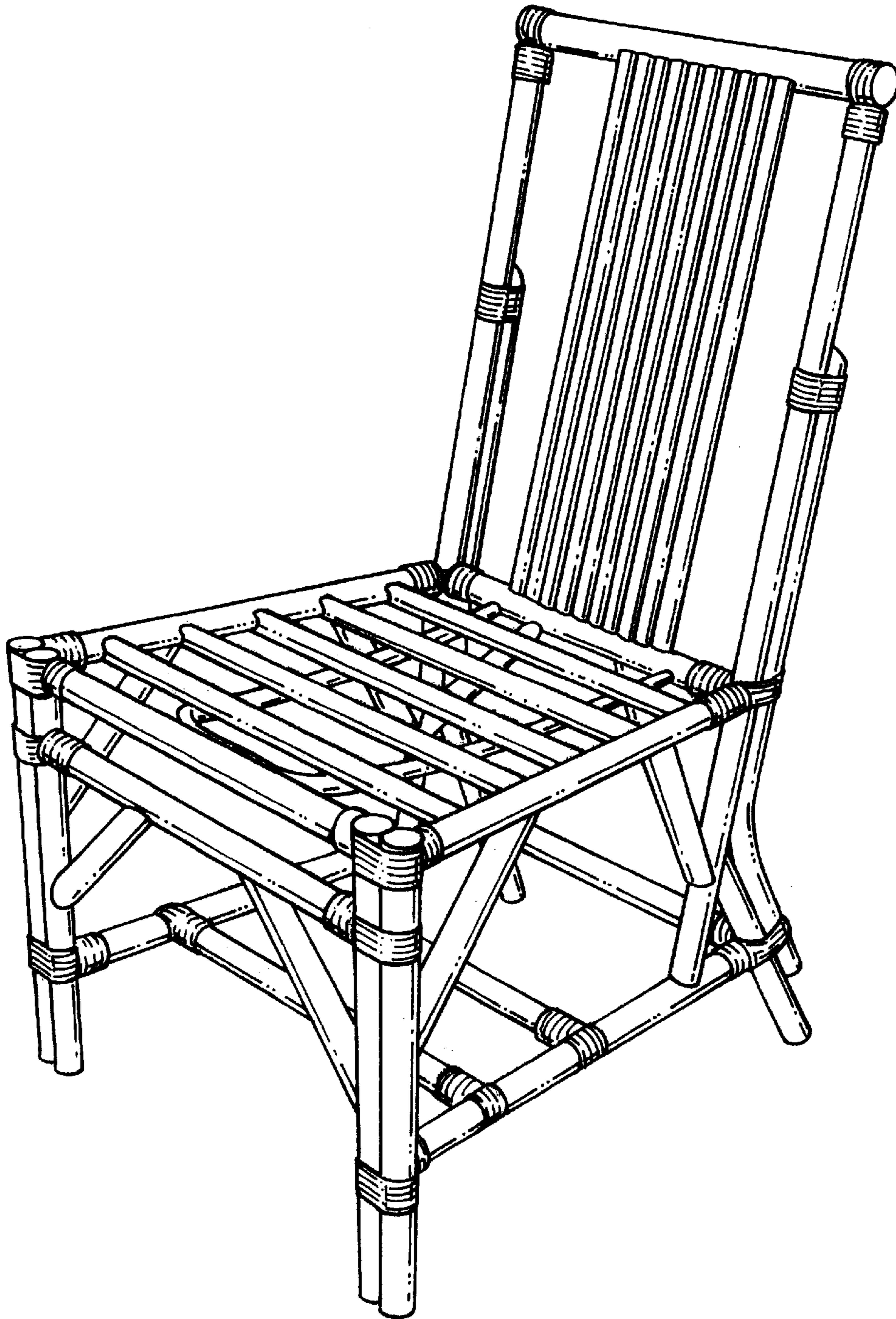


FIG. 8

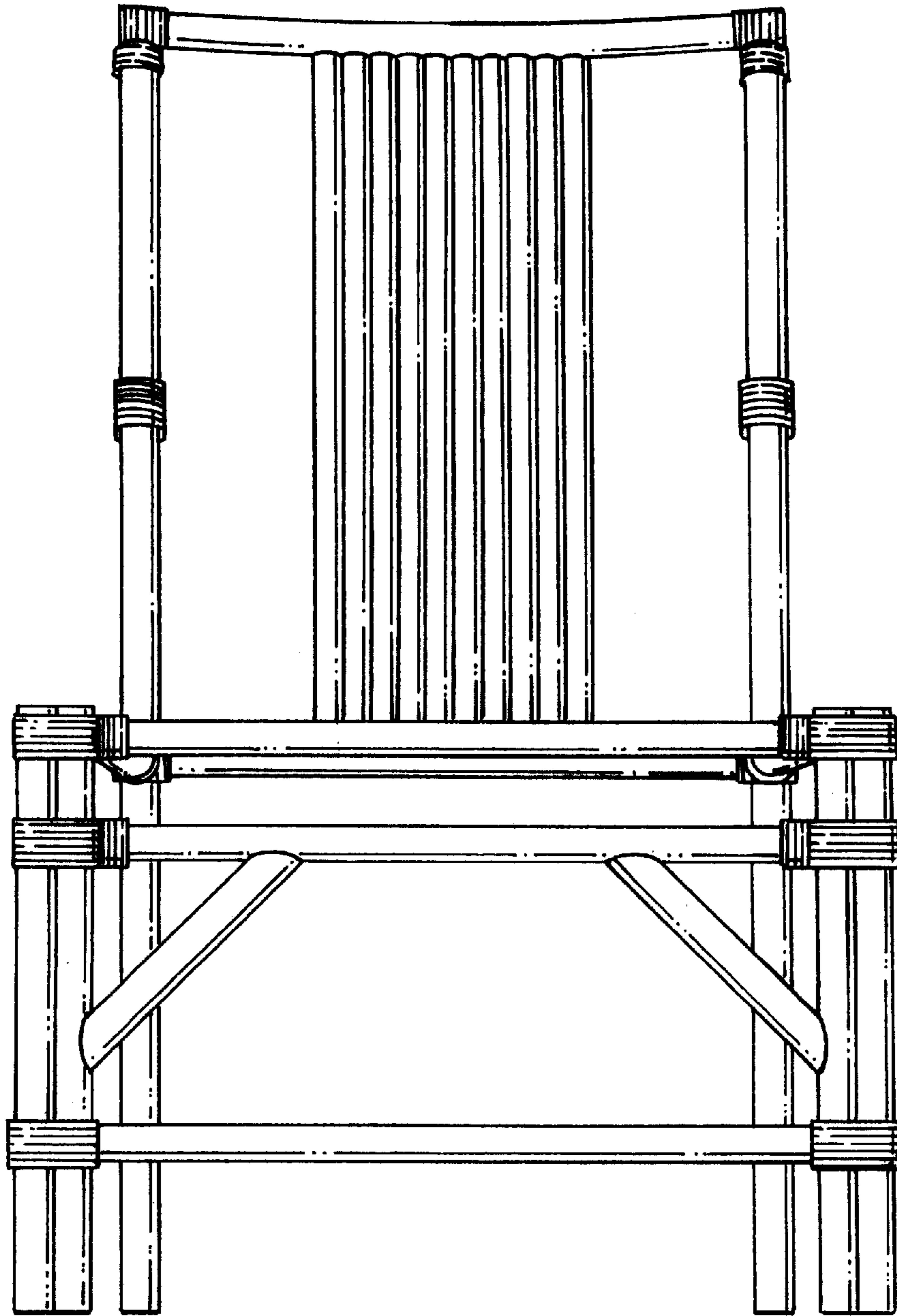


FIG. 9

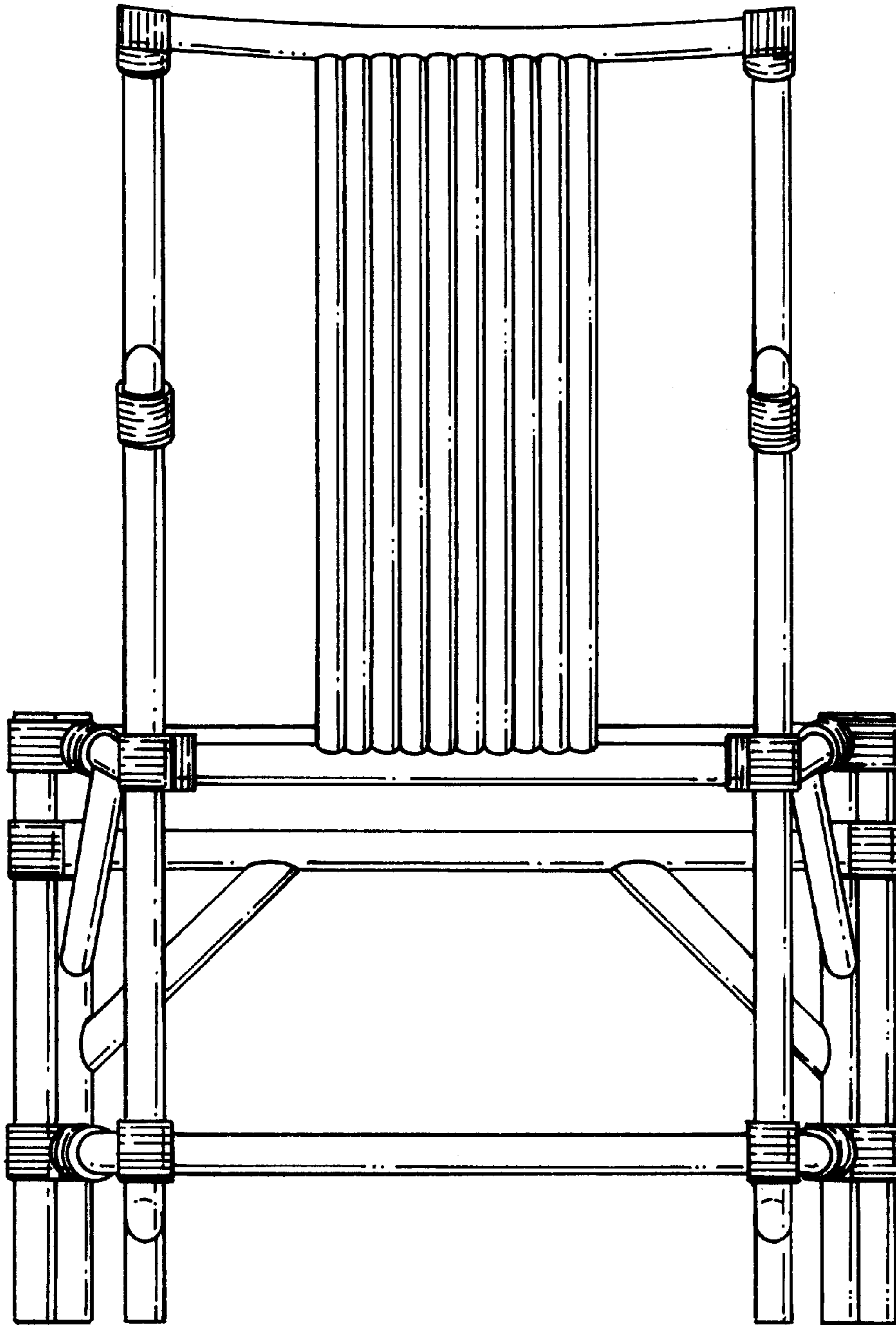


FIG. 10

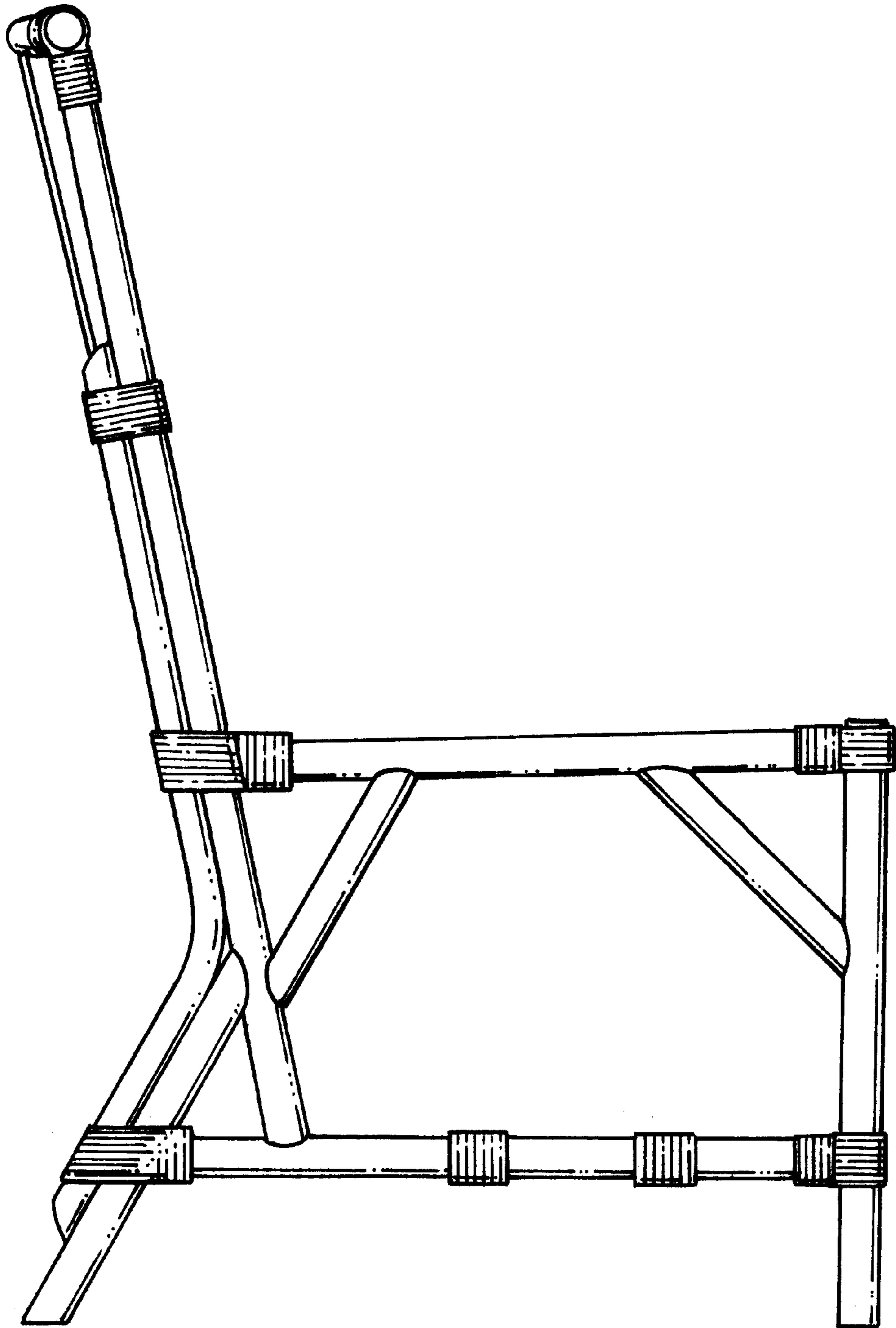


FIG. 11

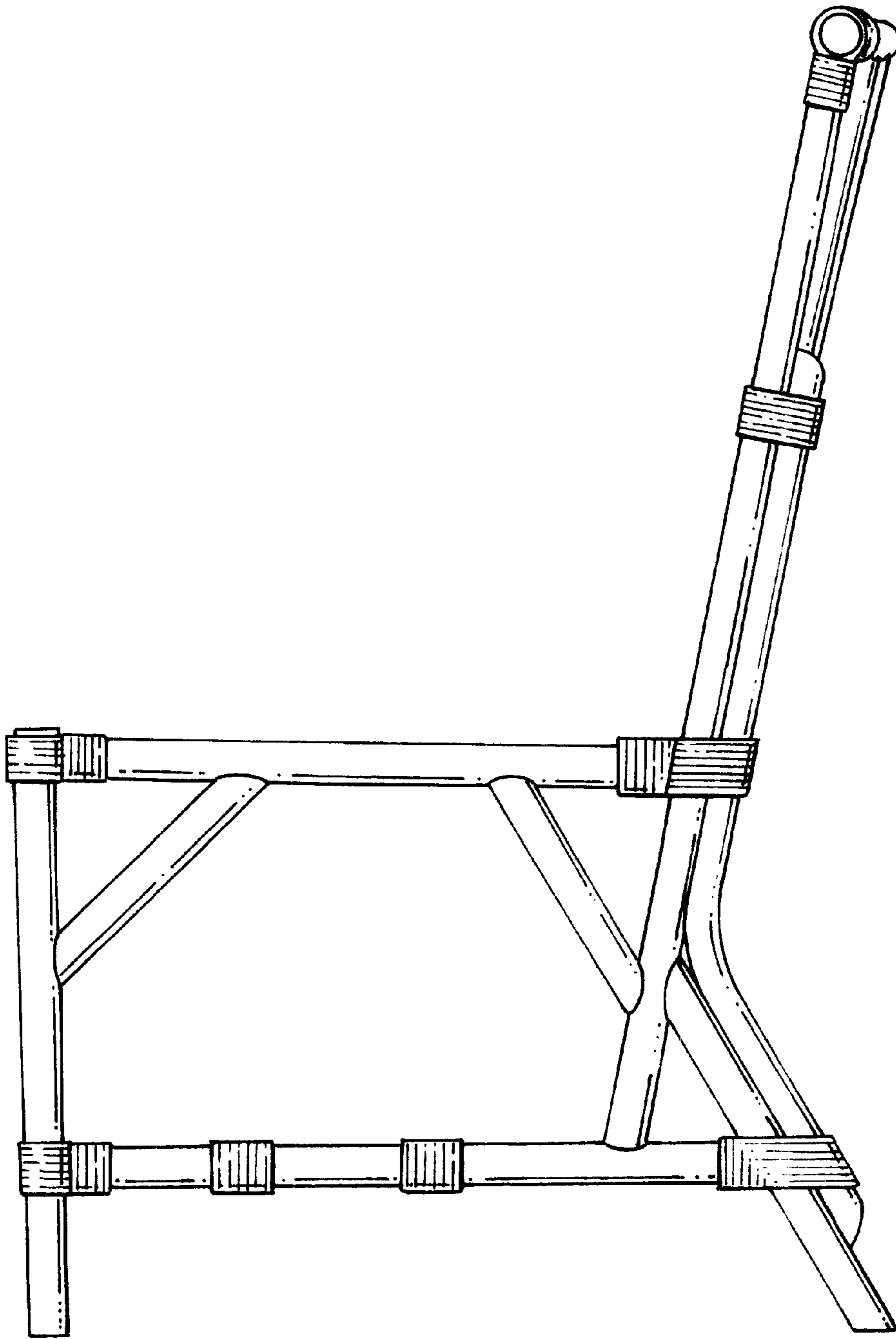


FIG. 12

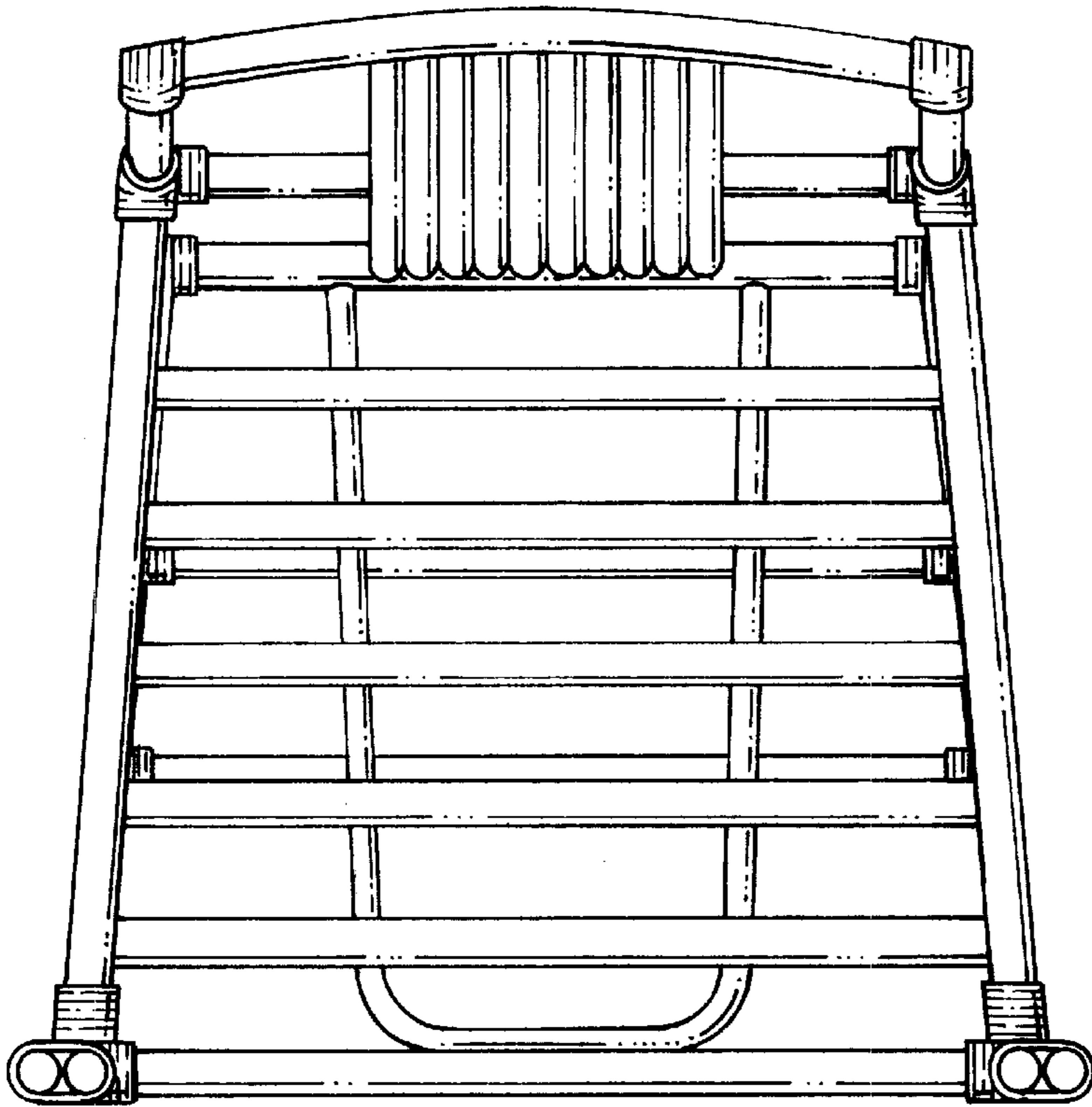


FIG. 13

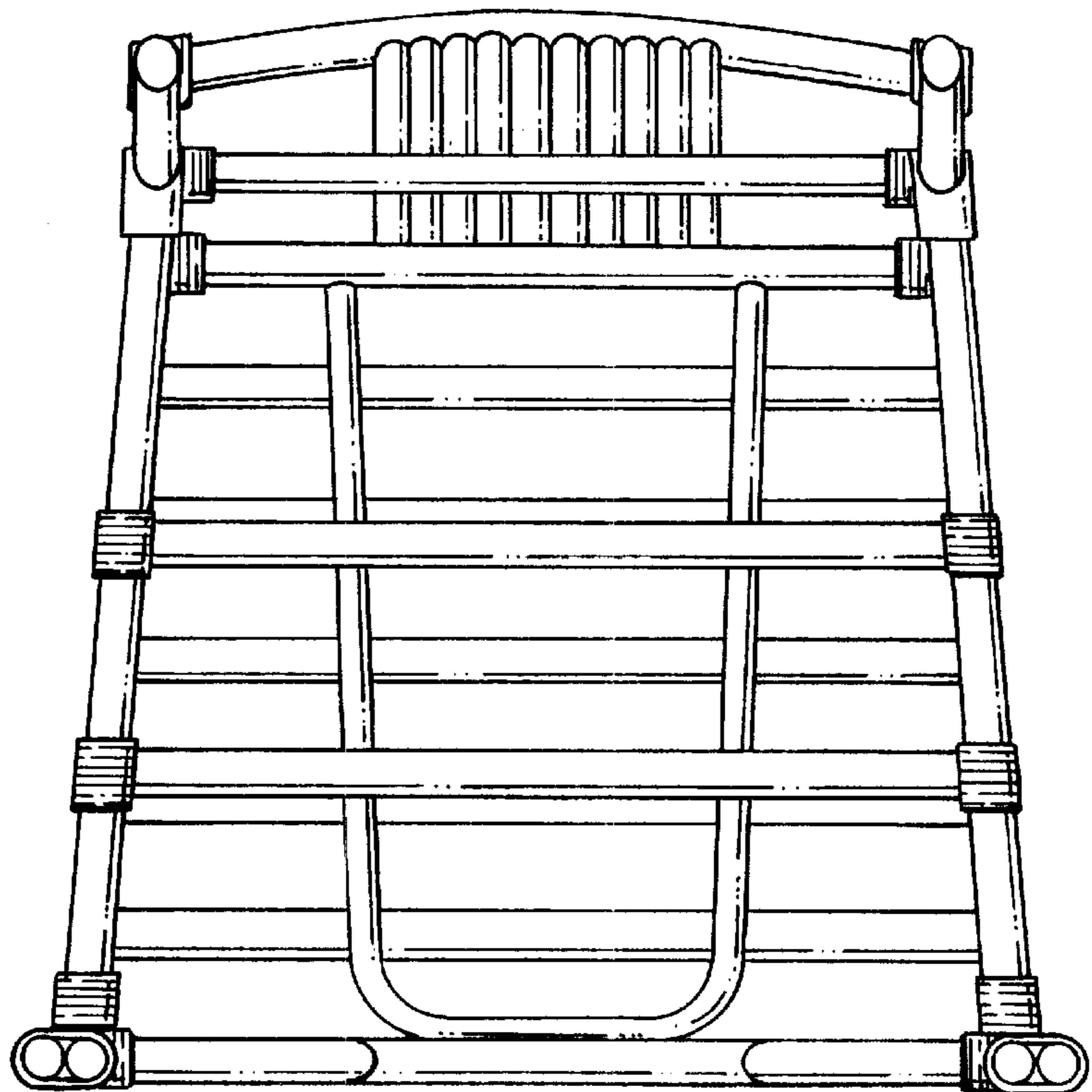


FIG. 14