



US00D474346S

(12) **United States Design Patent**  
**Saylor et al.**

(10) **Patent No.:** **US D474,346 S**

(45) **Date of Patent:** **\*\* May 13, 2003**

(54) **CHAIR**

D461,323 S \* 8/2002 Su ..... D6/366  
D465,938 S \* 11/2002 Huang ..... D6/366

(75) Inventors: **Charles J. Saylor**, Grand Rapids, MI (US); **Ronnie K. Watson**, Georgetown, TX (US); **Matthew E. Chrostowski**, Agoura Hills, CA (US); **Randall Clark Lewis**, Simi Valley, CA (US)

\* cited by examiner

*Primary Examiner*—Gary D. Watson

(74) *Attorney, Agent, or Firm*—Warner Norcross & Judd

(73) Assignee: **JSJ Furniture Corporation**, Grand Haven, MI (US)

(57) **CLAIM**

The ornamental design for chair, as shown and described.

(\*\*) Term: **14 Years**

**DESCRIPTION**

(21) Appl. No.: **29/161,072**

(22) Filed: **May 21, 2002**

**Related U.S. Application Data**

(63) Continuation of application No. 09/883,646, filed on Jun. 18, 2001, which is a continuation of application No. 09/769,967, filed on Jan. 25, 2001.

FIG. 1 is a perspective view of the chair embodying the new design;

FIG. 2 is a front elevational view thereof;

FIG. 3 is a back elevational view thereof;

FIG. 4 is a left side elevational view thereof;

FIG. 5 is a right side elevational view thereof;

FIG. 6 is a top plan view thereof; and,

FIG. 7 is a bottom plan view thereof.

(51) **LOC (7) Cl.** ..... **06-01**

(52) **U.S. Cl.** ..... **D6/366**

(58) **Field of Search** ..... D6/334, 364, 365,  
D6/366, 367, 500, 501, 502; 297/411.2,  
411.27

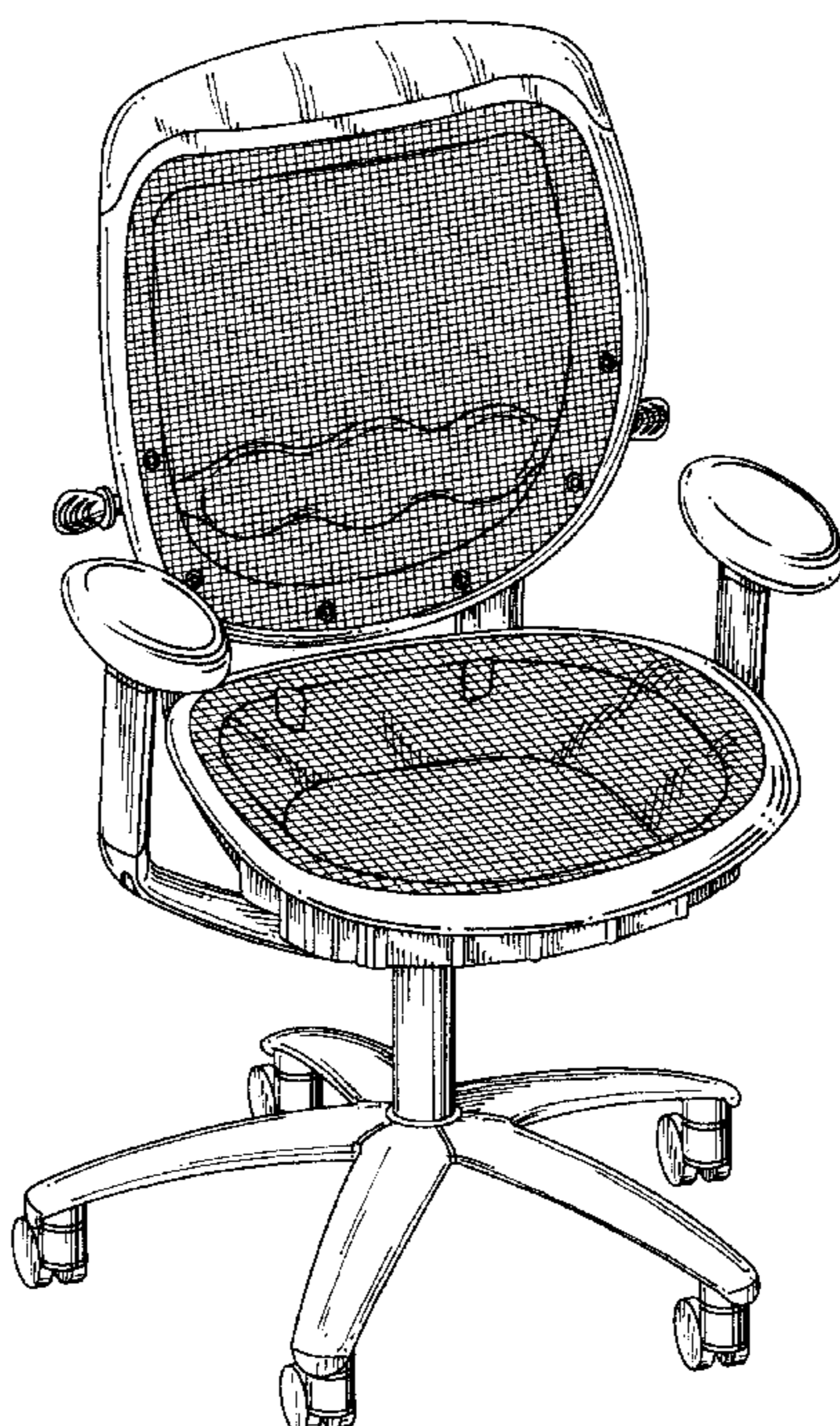
FIG. 1–7 show a load bearing fabric attached to the back and seat of the chair. The load bearing fabric is represented by a plurality of horizontal and vertical lines, which represent the warps and wefts of the fabric. The warps and wefts of the load bearing fabric are tightly woven, but are spaced a sufficient distance to provide the fabric with a partially transparent appearance, permitting chair components to be seen through the fabric. Due to practical limitations, the true spacing between the warps and wefts of the load bearing fabric cannot be illustrated without destroying the partially transparent nature of the fabric. Accordingly, the spacing, in the present drawings, between the horizontal and vertical lines representing the load bearing fabric is greater than the spacing between the warps and wefts of the load bearing fabric of the actual chair claimed.

(56) **References Cited**

**U.S. PATENT DOCUMENTS**

- D346,279 S \* 4/1994 Stumpf et al. .... D6/366
- D423,259 S \* 4/2000 Grove ..... D6/500
- D449,174 S \* 10/2001 Neil ..... D6/366
- D449,457 S \* 10/2001 Su ..... D6/366
- D451,293 S \* 12/2001 Su ..... D6/366
- D453,079 S \* 1/2002 Ma ..... D6/366
- D456,626 S \* 5/2002 Su ..... D6/366

**1 Claim, 7 Drawing Sheets**



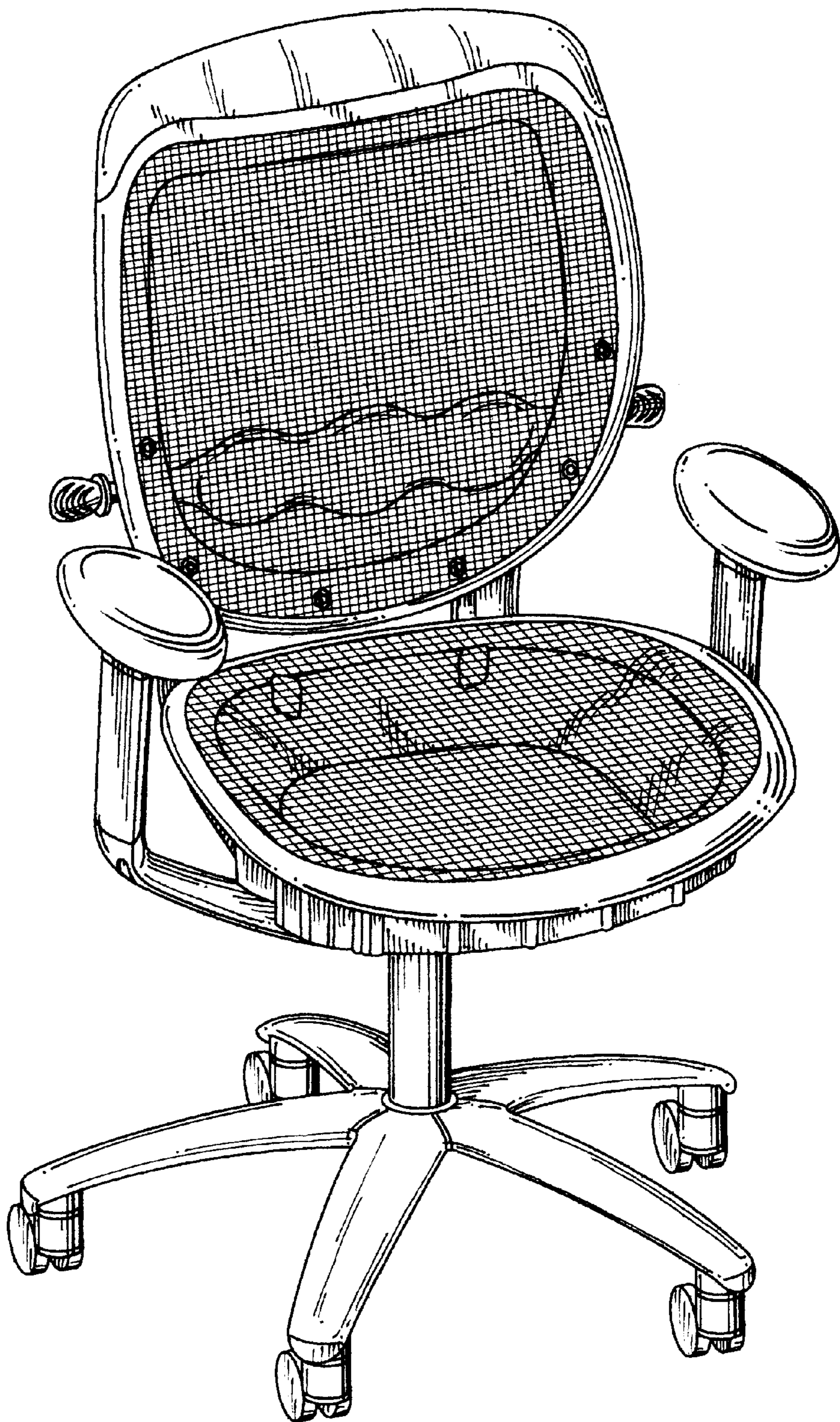


Fig. 1

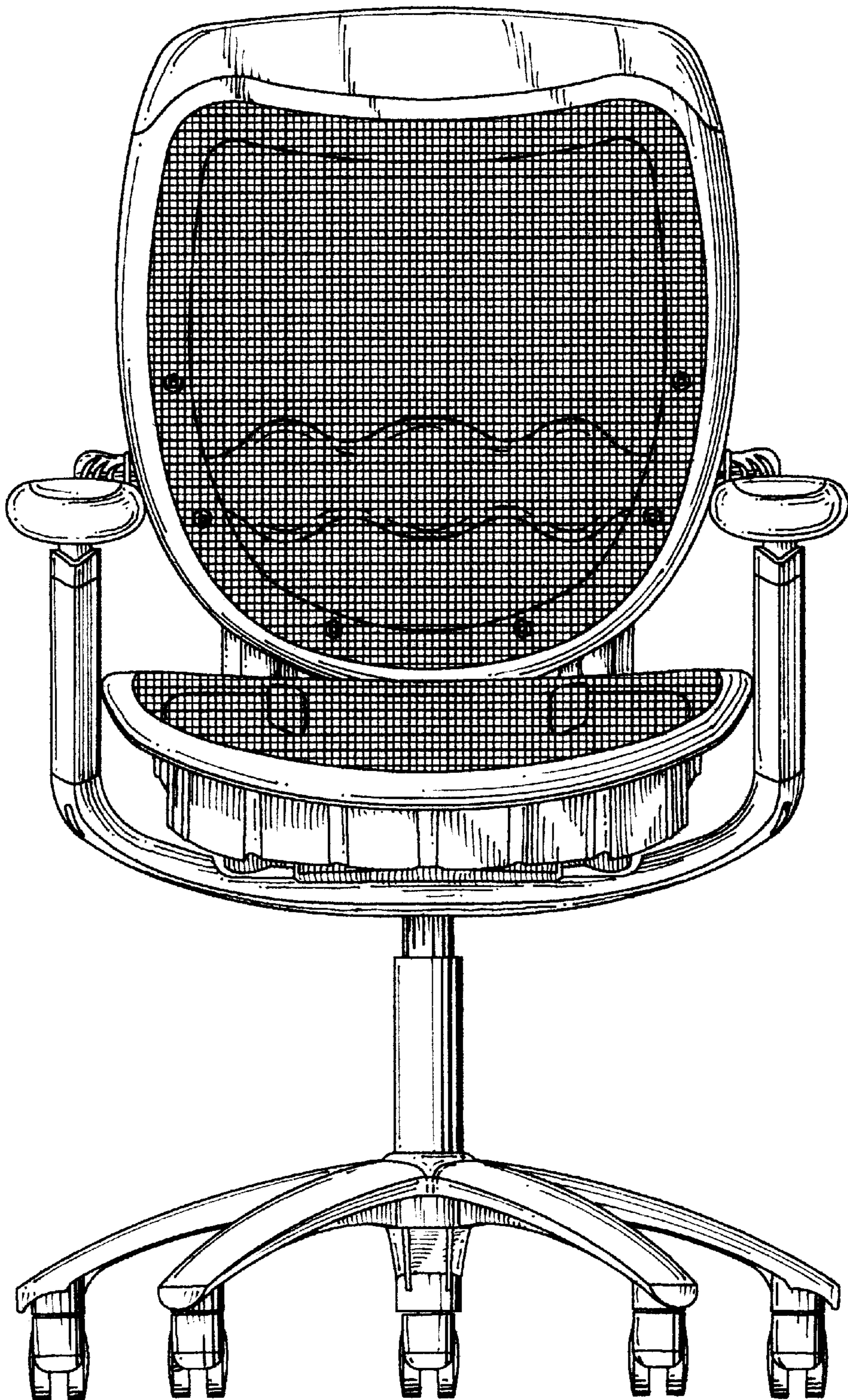


Fig. 2

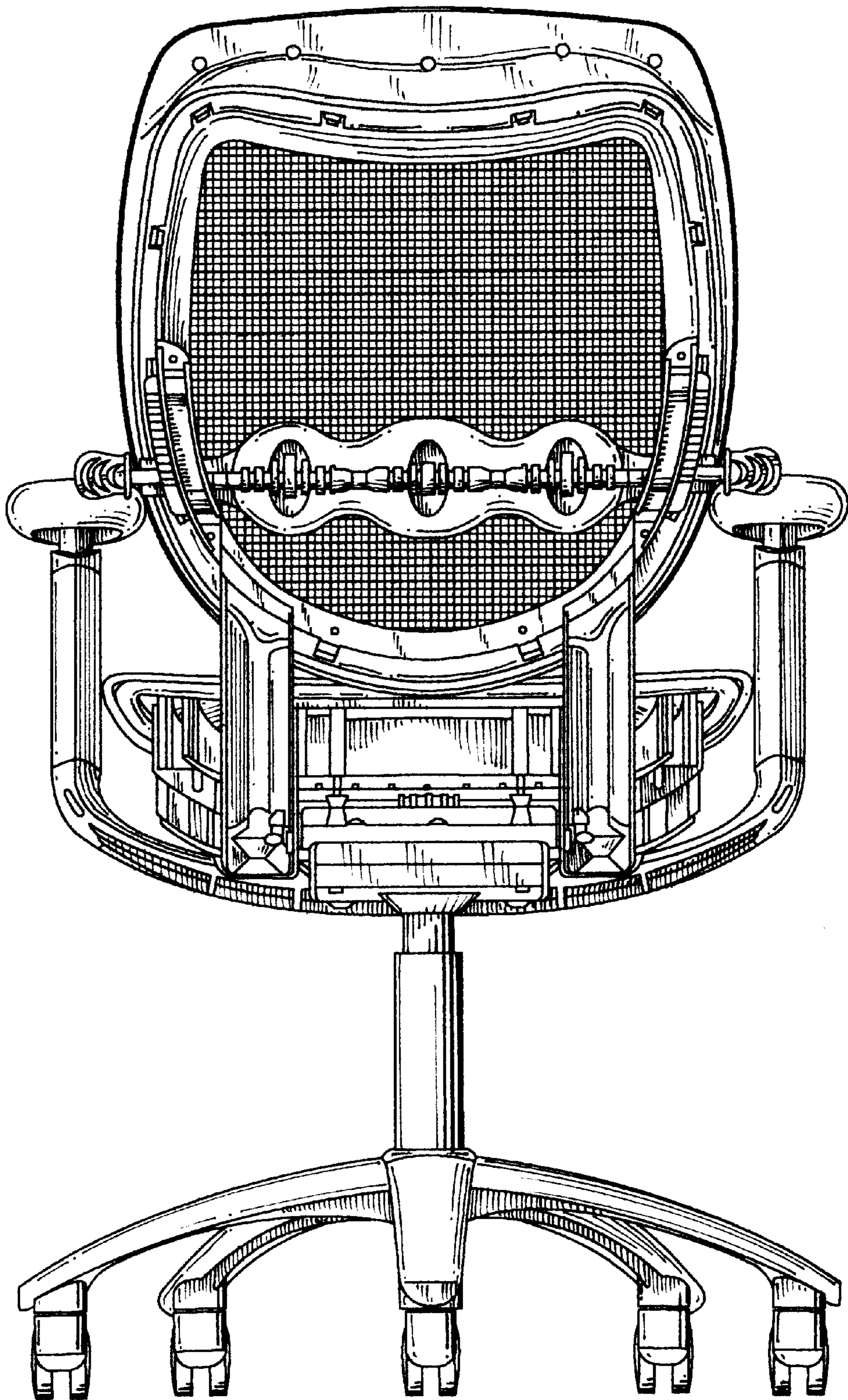


Fig. 3

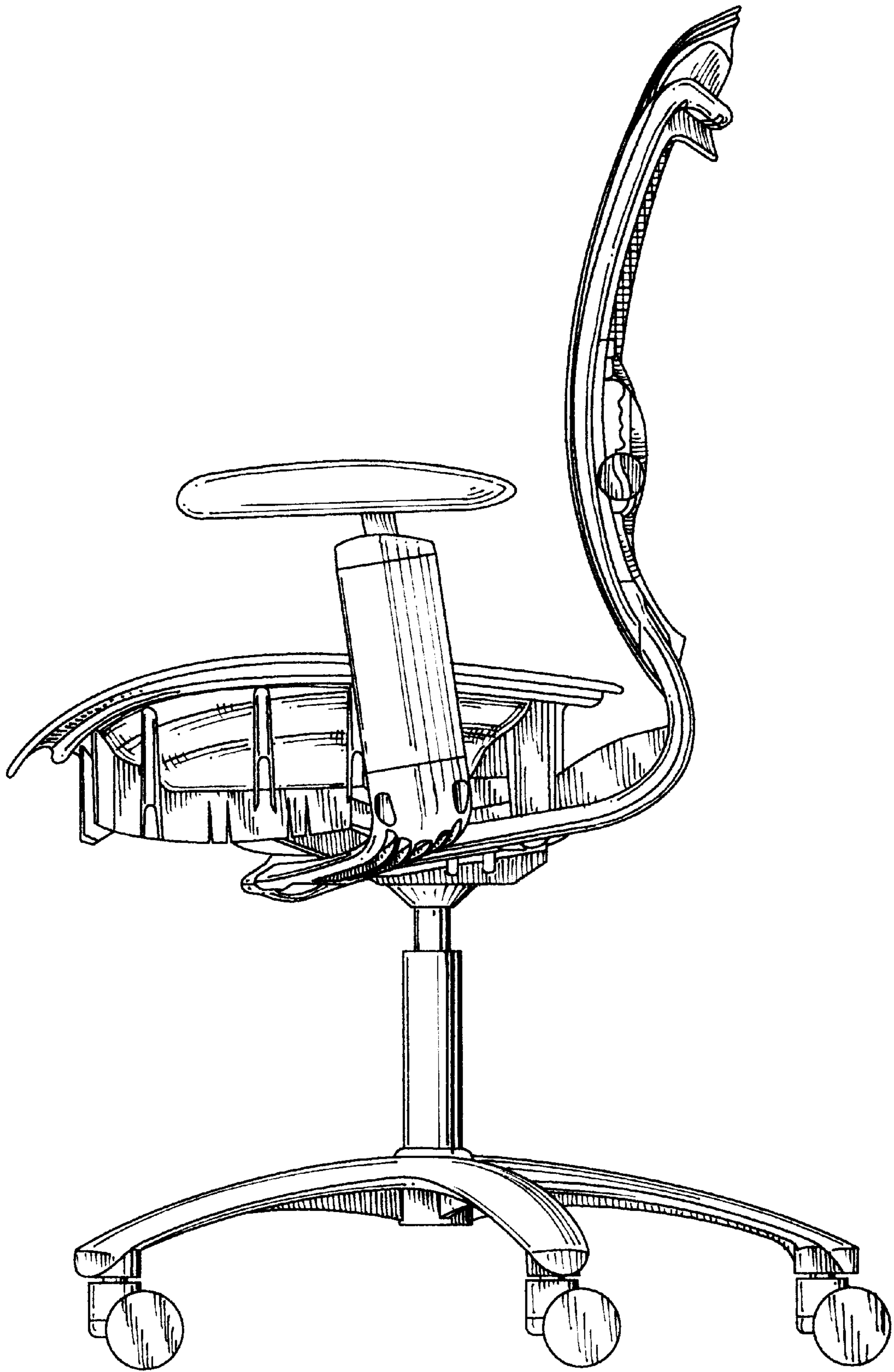


Fig. 4

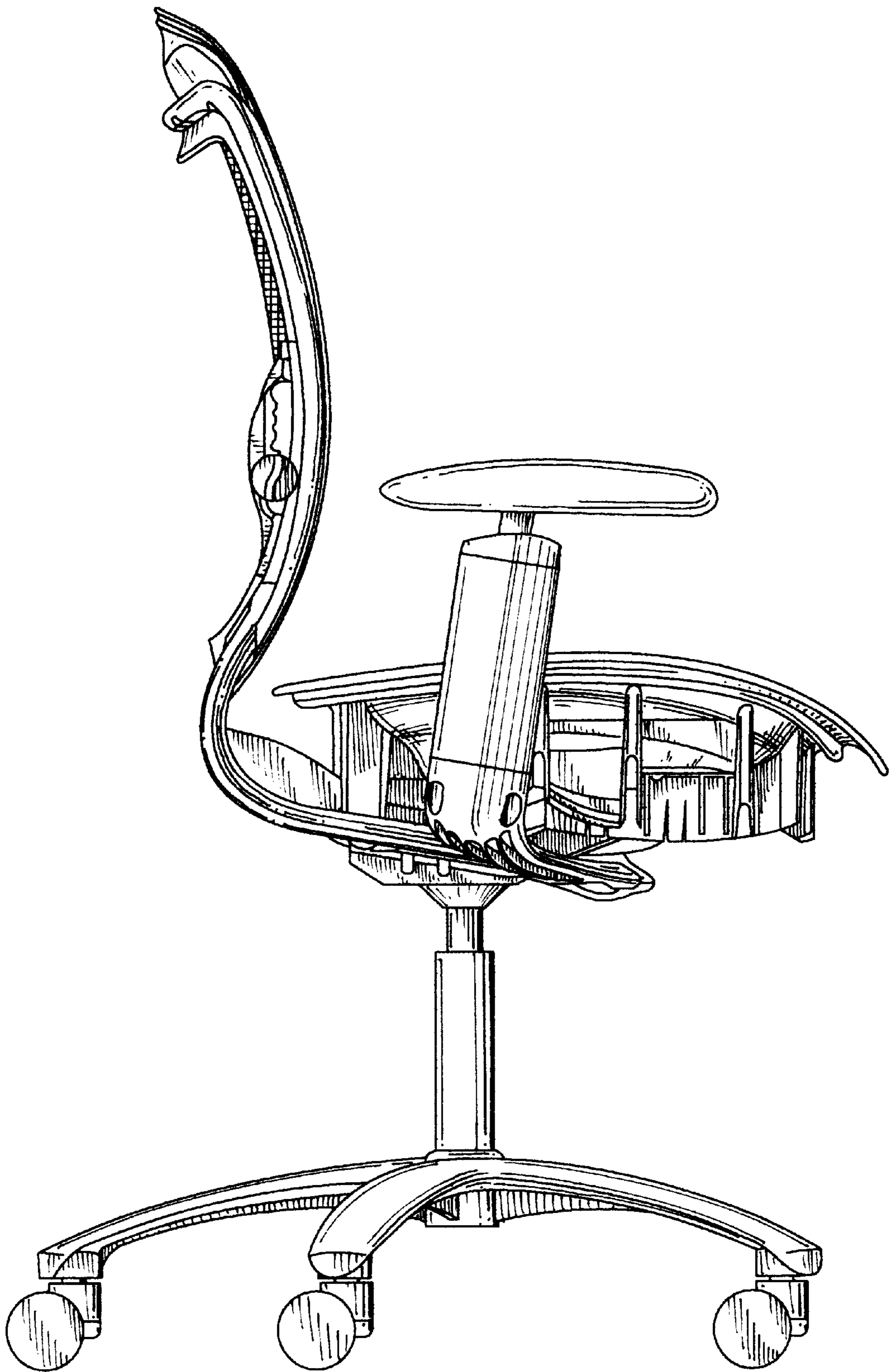


Fig. 5

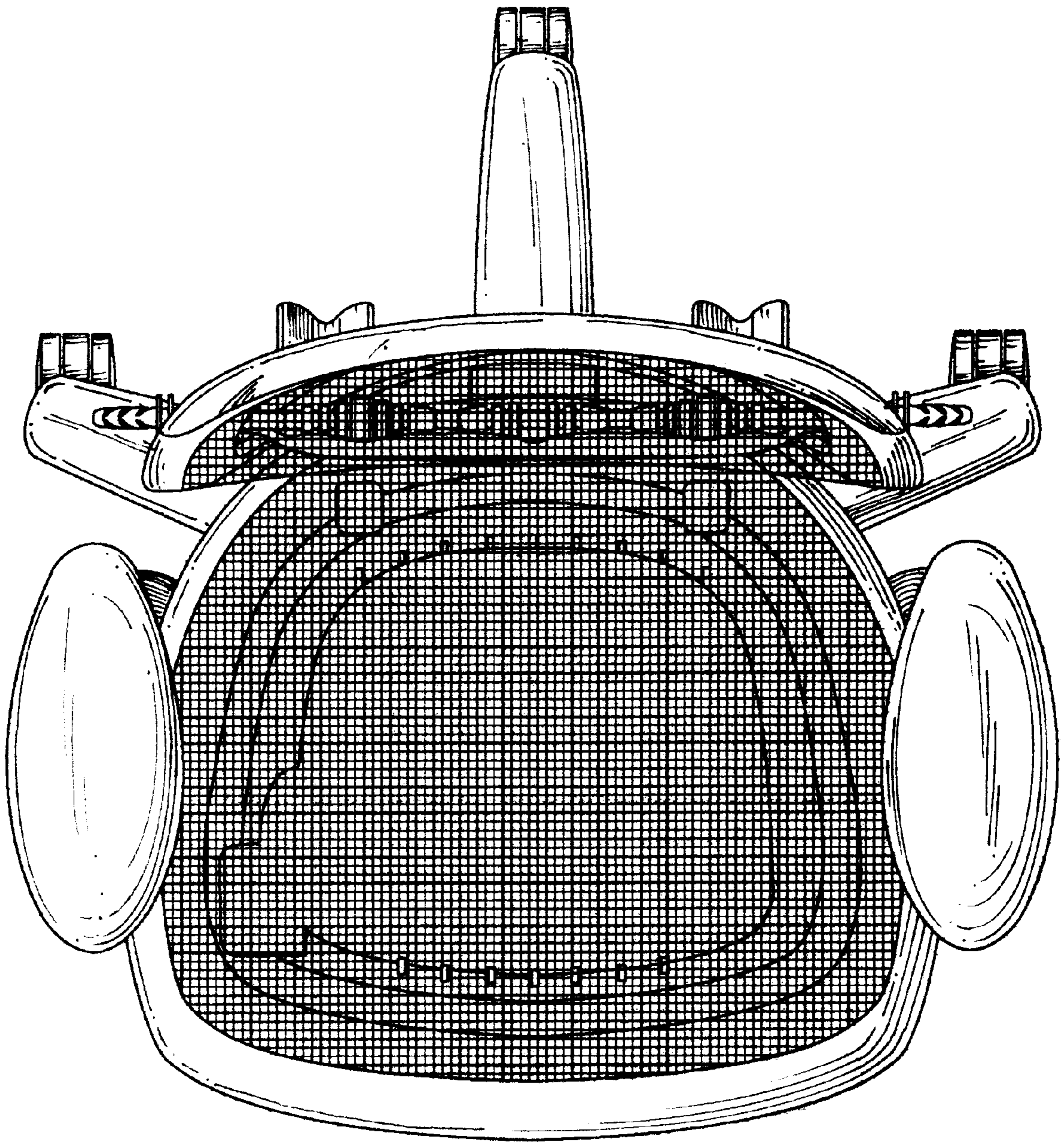


Fig. 6

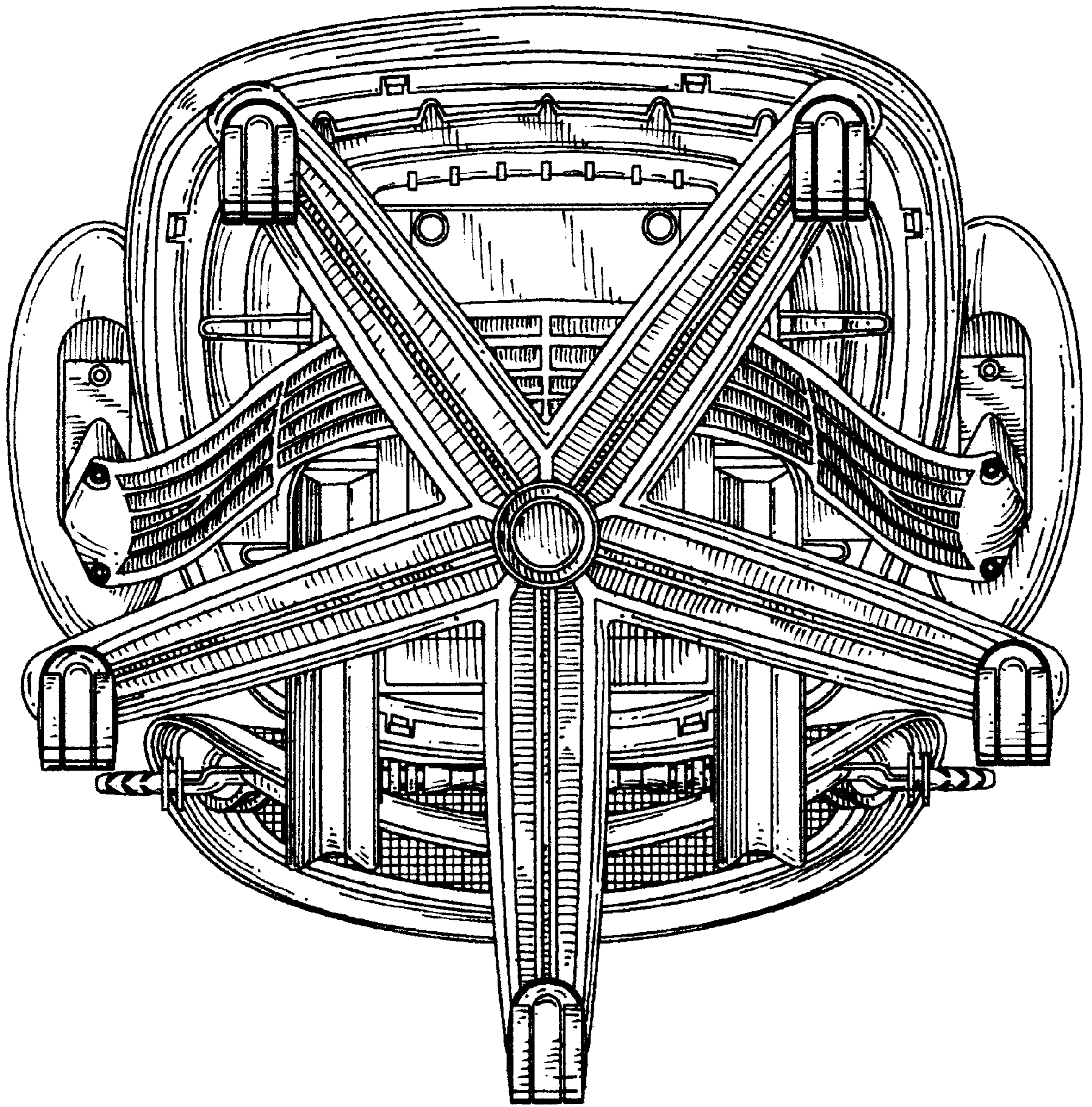


Fig. 7