



US00D474340S

(12) **United States Design Patent**
Vasudeva

(10) **Patent No.:** **US D474,340 S**

(45) **Date of Patent:** **** May 13, 2003**

(54) **TOOL CASE**

FOREIGN PATENT DOCUMENTS

(75) **Inventor:** **Kailash C. Vasudeva, Waterloo (CA)**

WO WO 98/46399 10/1998
WO WO 99/07524 2/1999

(73) **Assignee:** **Maxtech Manufacturing Inc., Waterloo (CA)**

* cited by examiner

(**) **Term:** **14 Years**

Primary Examiner—Philip S. Hyder
(74) *Attorney, Agent, or Firm*—R. Craig Armstrong

(21) **Appl. No.:** **29/137,900**

(57) **CLAIM**

(22) **Filed:** **Mar. 2, 2001**

I claim the ornamented design for a tool case, as shown in the drawings.

(51) **LOC (7) Cl.** **03-01**

DESCRIPTION

(52) **U.S. Cl.** **D3/282; D3/276; D3/905**

FIG. 1 is a perspective view of a tool case showing my new design;

(58) **Field of Search** **D3/273, 276, 281,**

D3/282, 294, 905; 206/349, 372, 373, 379;
190/100

FIG. 2 is a front elevational view thereof;

FIG. 3 is a top plan view thereof;

FIG. 4 is a right side elevational view thereof, showing the latch side;

FIG. 5 is a bottom plan view thereof;

FIG. 6 is a left side elevational view, showing the hinge side;

FIG. 7 is a rear elevational view thereof;

FIG. 8 is a perspective view of a modified embodiment of the tool case;

FIG. 9 is a front elevational view thereof;

FIG. 10 is a top plan view thereof;

FIG. 11 is a right side elevational view thereof, showing the latch side;

FIG. 12 is a bottom plan view thereof;

FIG. 13 is a left side elevational view thereof, showing the hinge side; and,

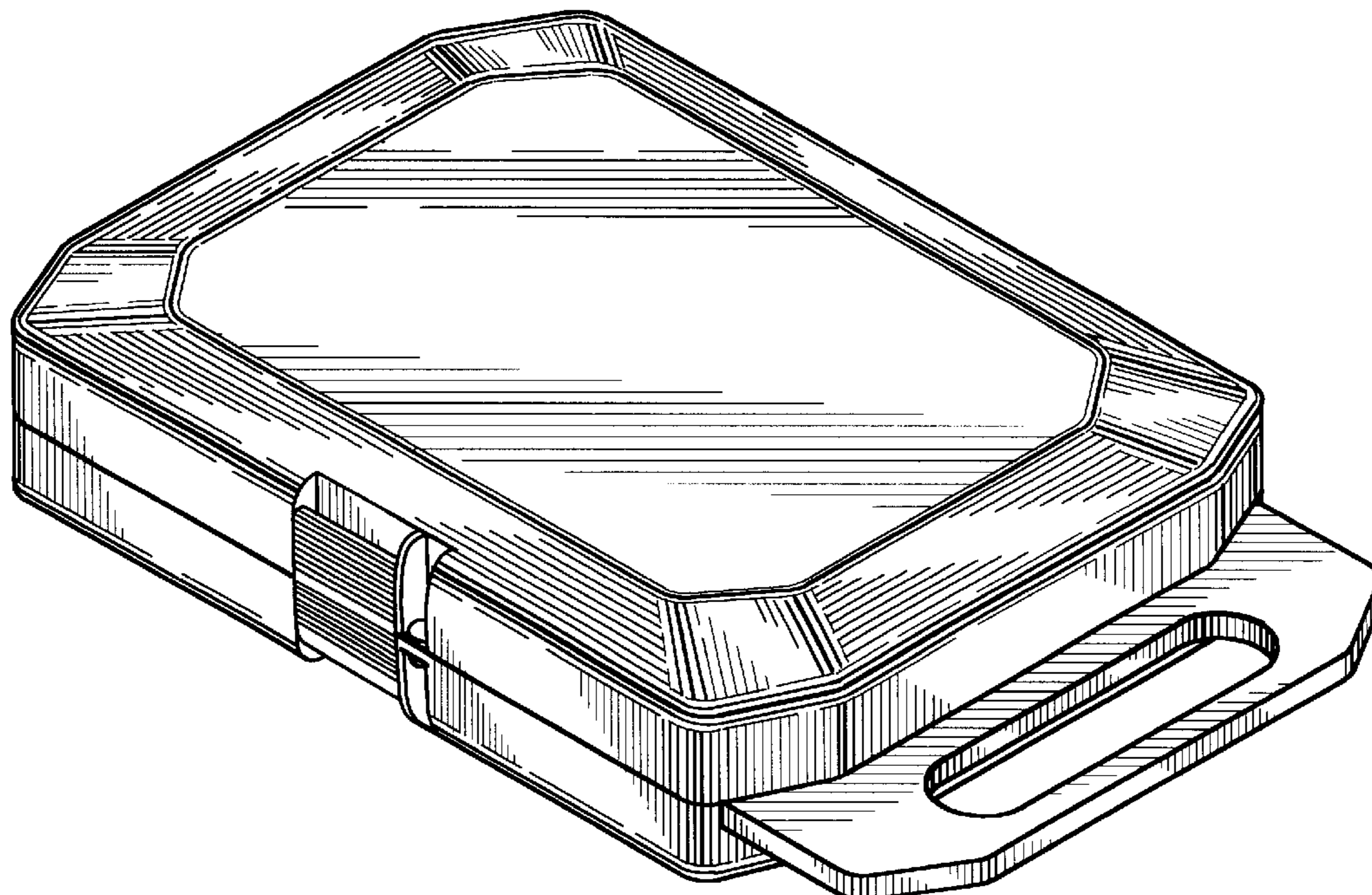
FIG. 14 is a rear elevational view thereof.

(56) **References Cited**

U.S. PATENT DOCUMENTS

D250,433 S	*	11/1978	Malcolm	D3/282
D262,752 S	*	1/1982	Pepicelli et al.	D3/282
D331,662 S	*	12/1992	Melk	D3/282
5,178,282 A		1/1993	Williams	206/570
D363,937 S	*	11/1995	Marks et al.	D13/184
5,525,314 A		6/1996	Hurson	422/300
5,526,929 A		6/1996	Wei	206/378
D382,115 S	*	8/1997	Chang	D3/282
5,803,254 A		9/1998	Vasudeva	206/373
D400,010 S	*	10/1998	Vasudeva	D3/276
5,887,715 A		3/1999	Vasudeva	206/373
6,044,973 A		4/2000	Vasudeva	206/372
6,105,767 A		8/2000	Vasudeva	206/372
D434,562 S	*	12/2000	Huang	D3/276

1 Claim, 6 Drawing Sheets



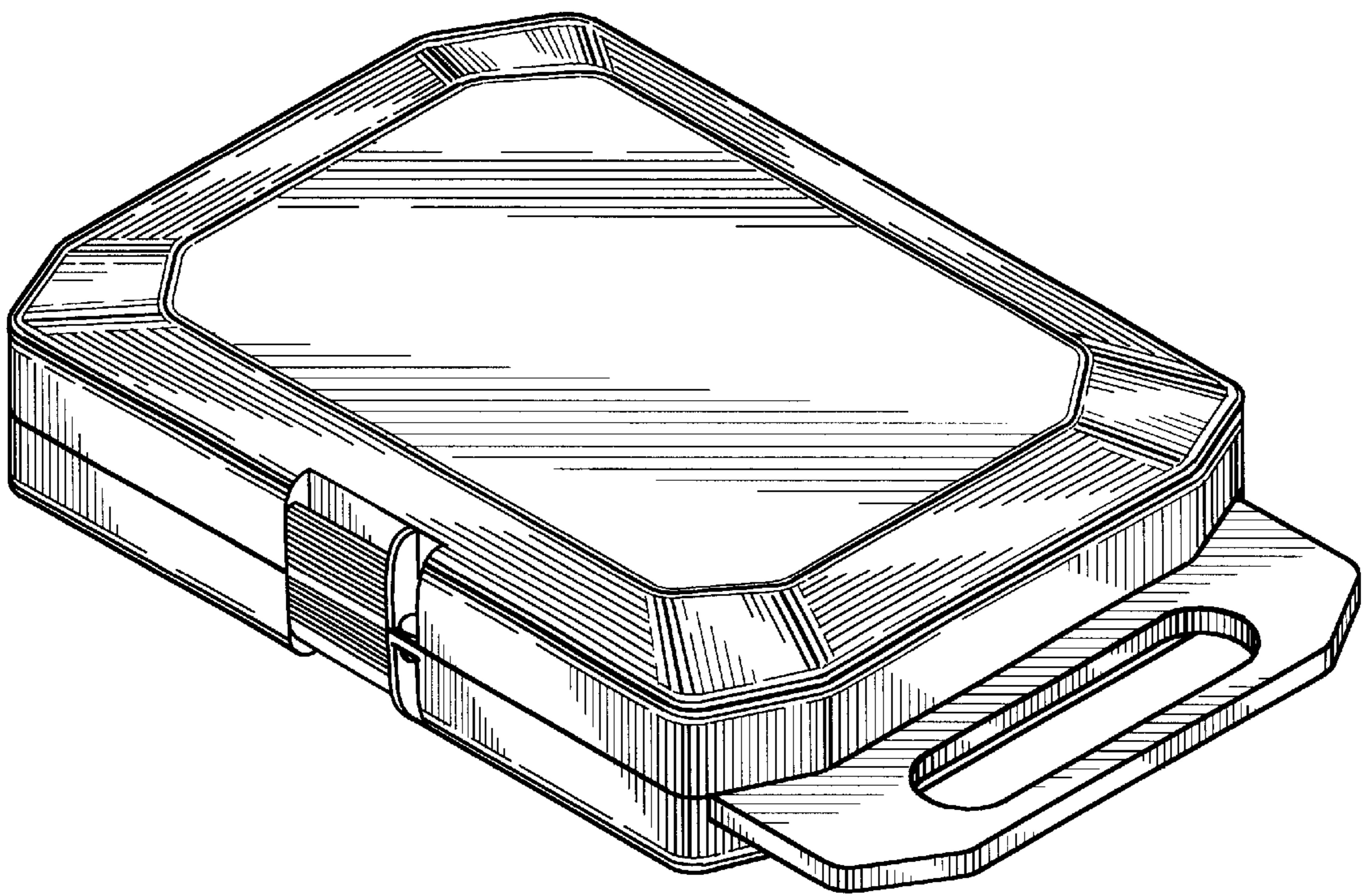


FIG.1

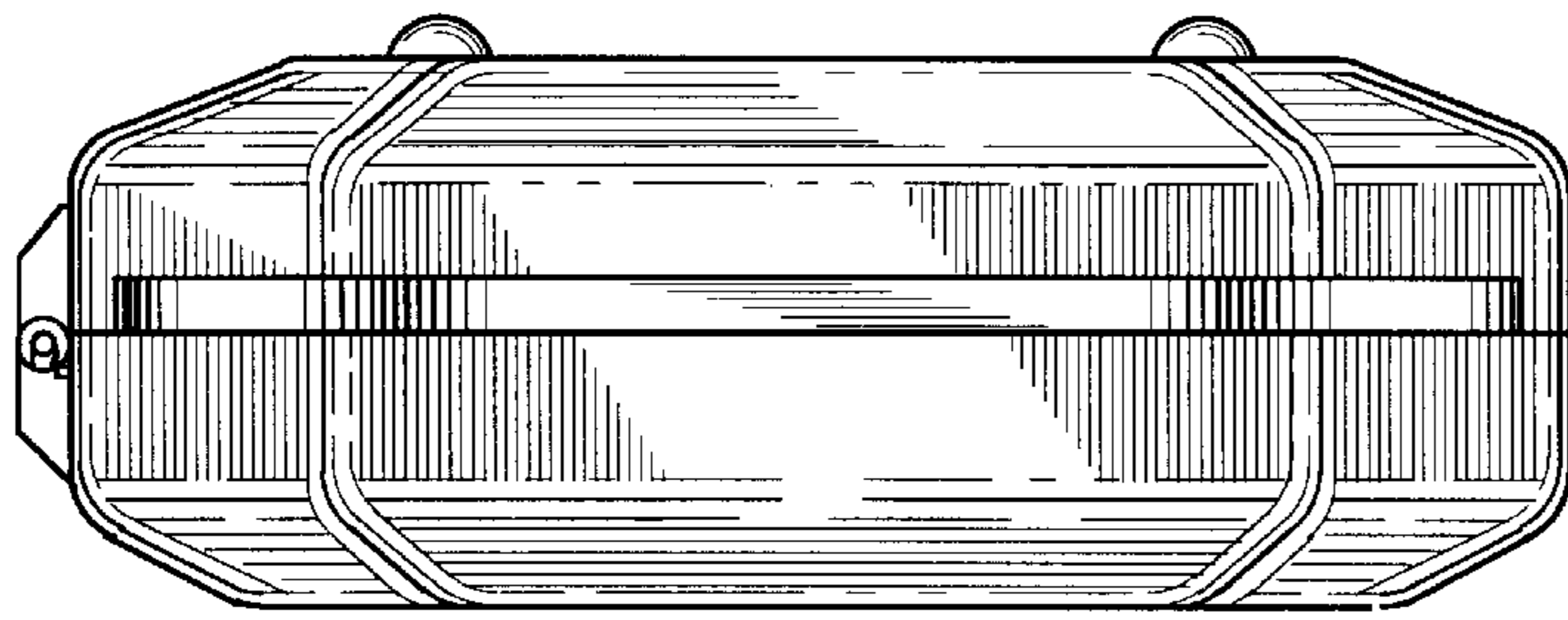


FIG. 2

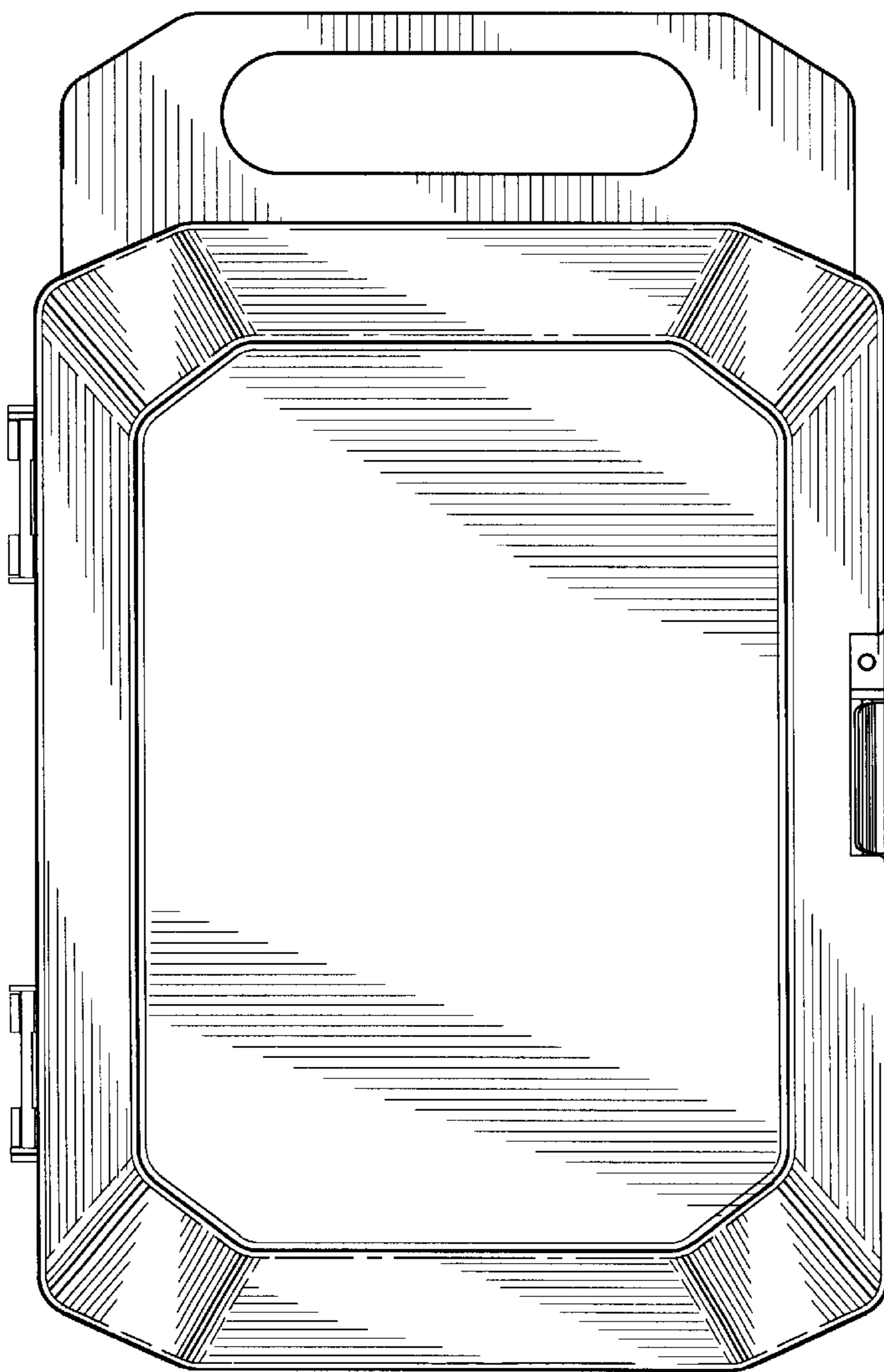


FIG. 3

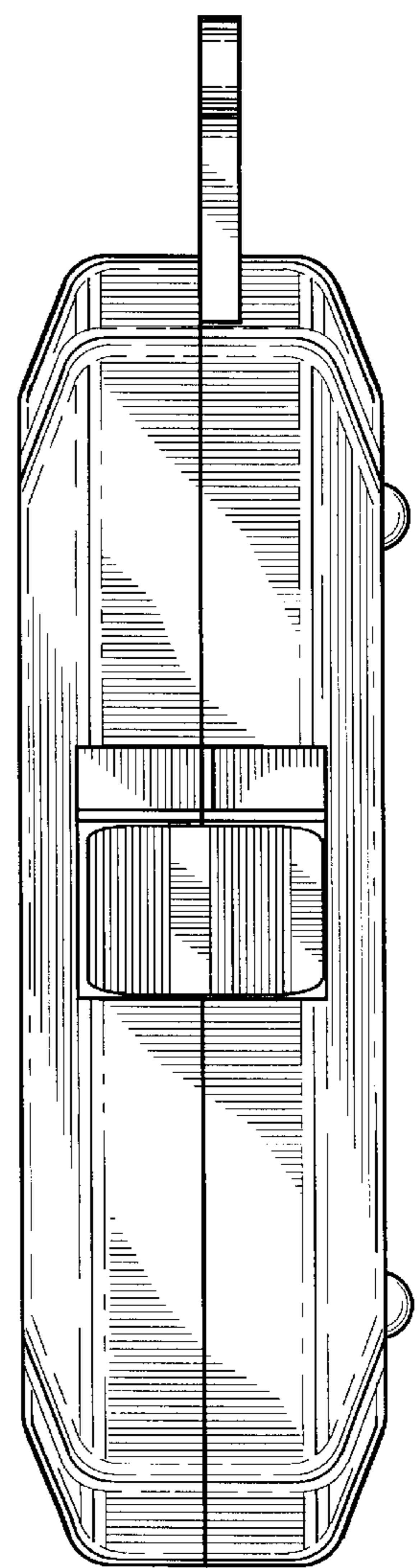


FIG. 4

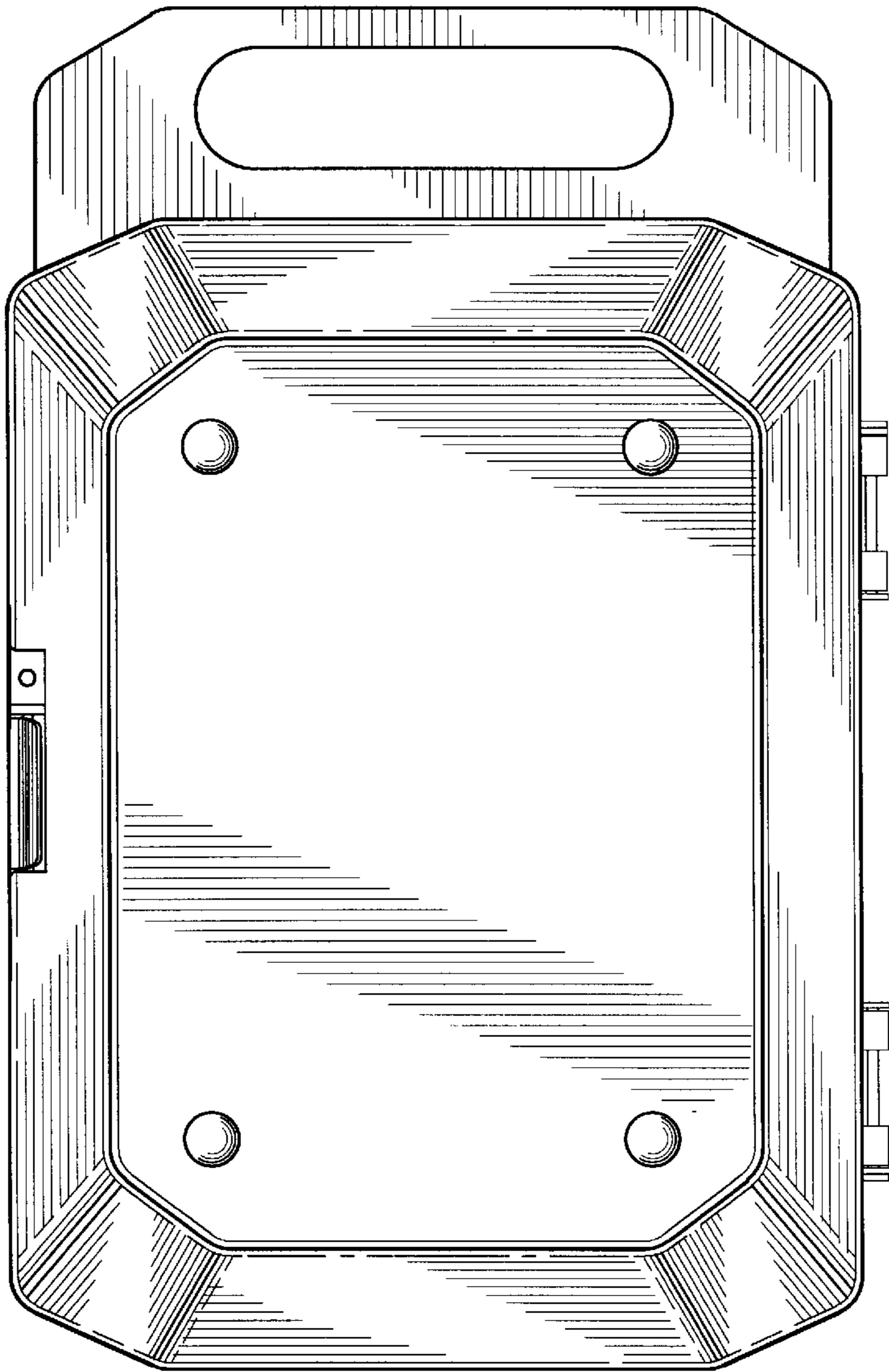


FIG. 5

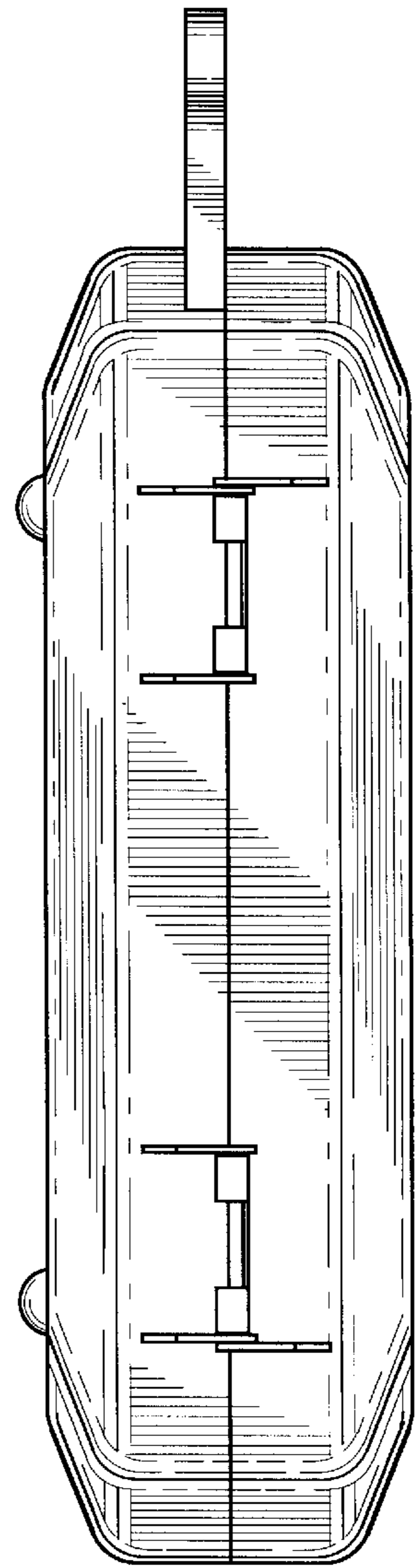


FIG. 6

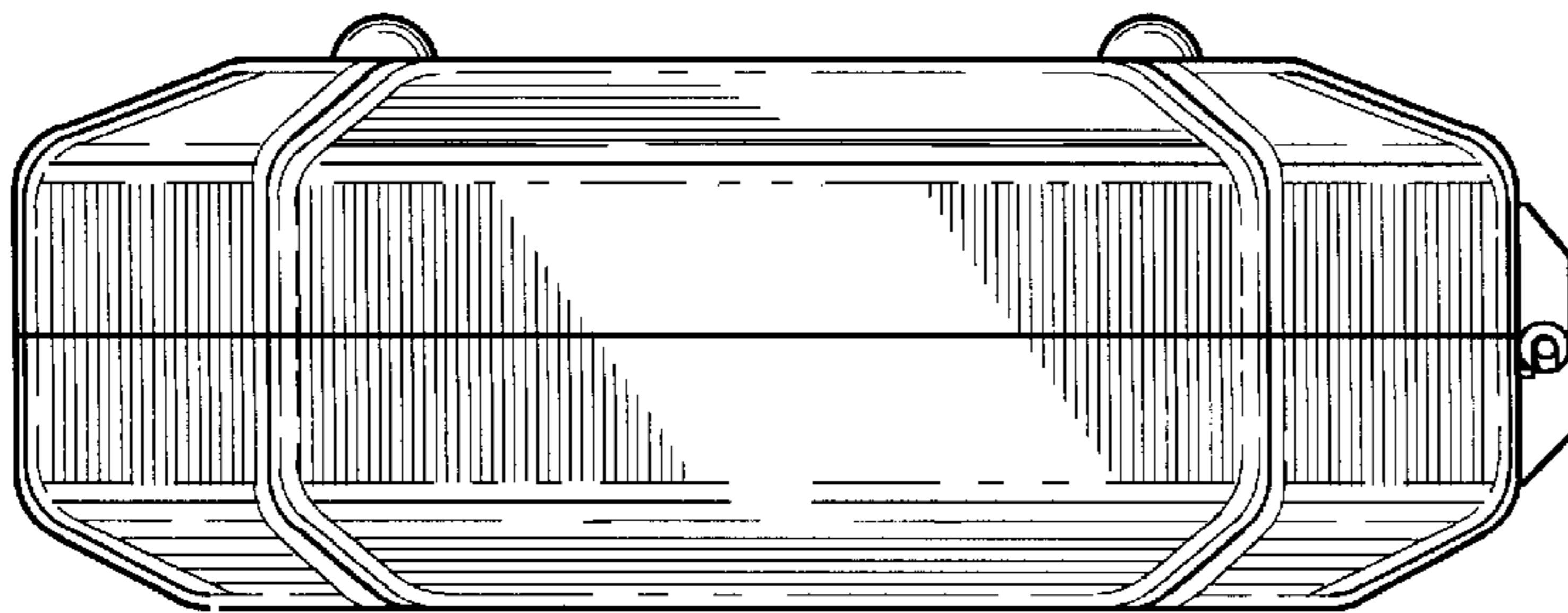


FIG. 7

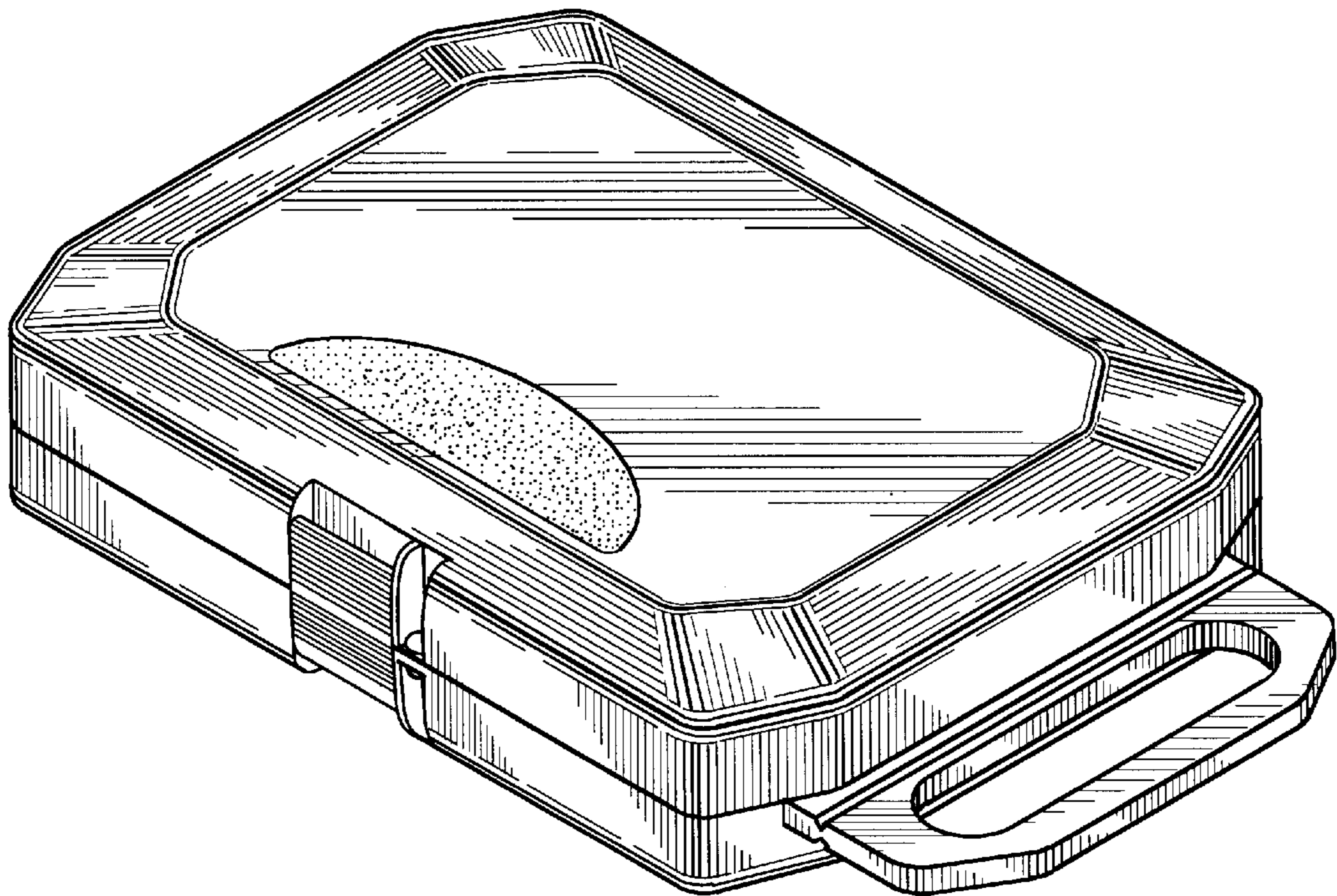


FIG.8

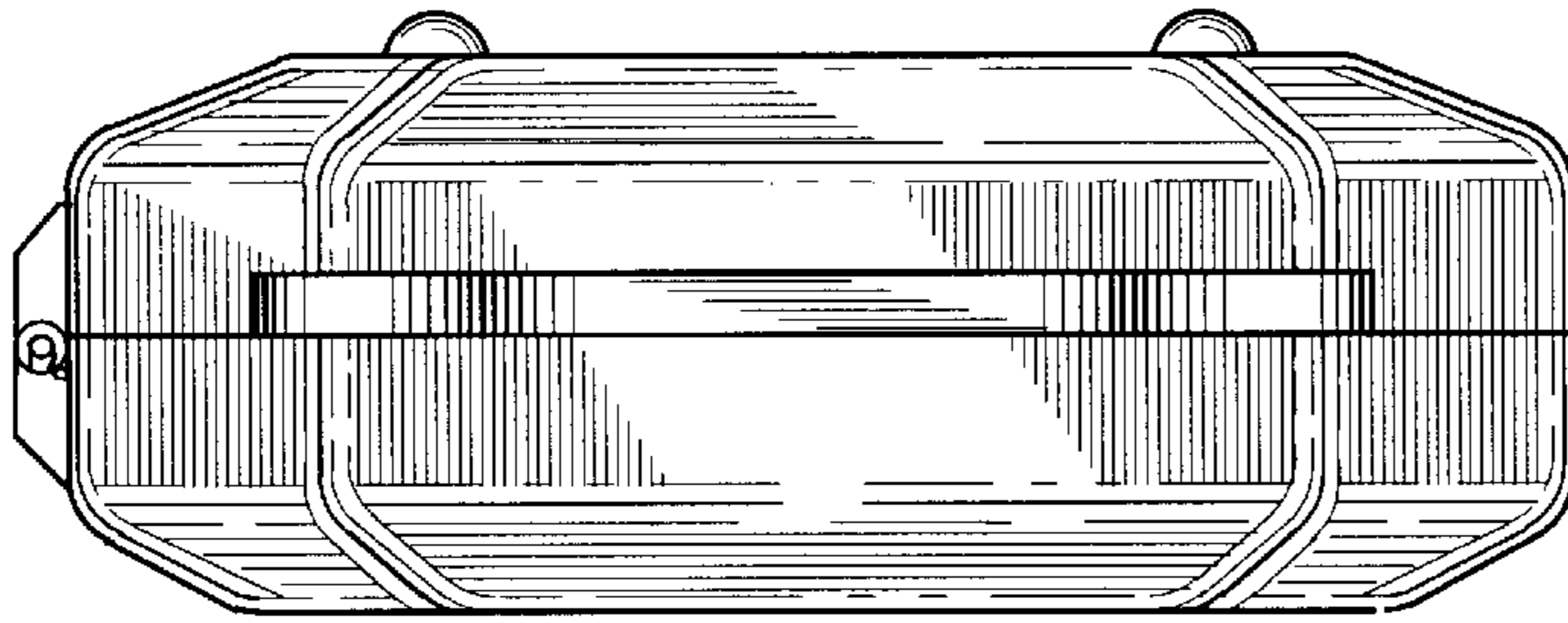


FIG. 9

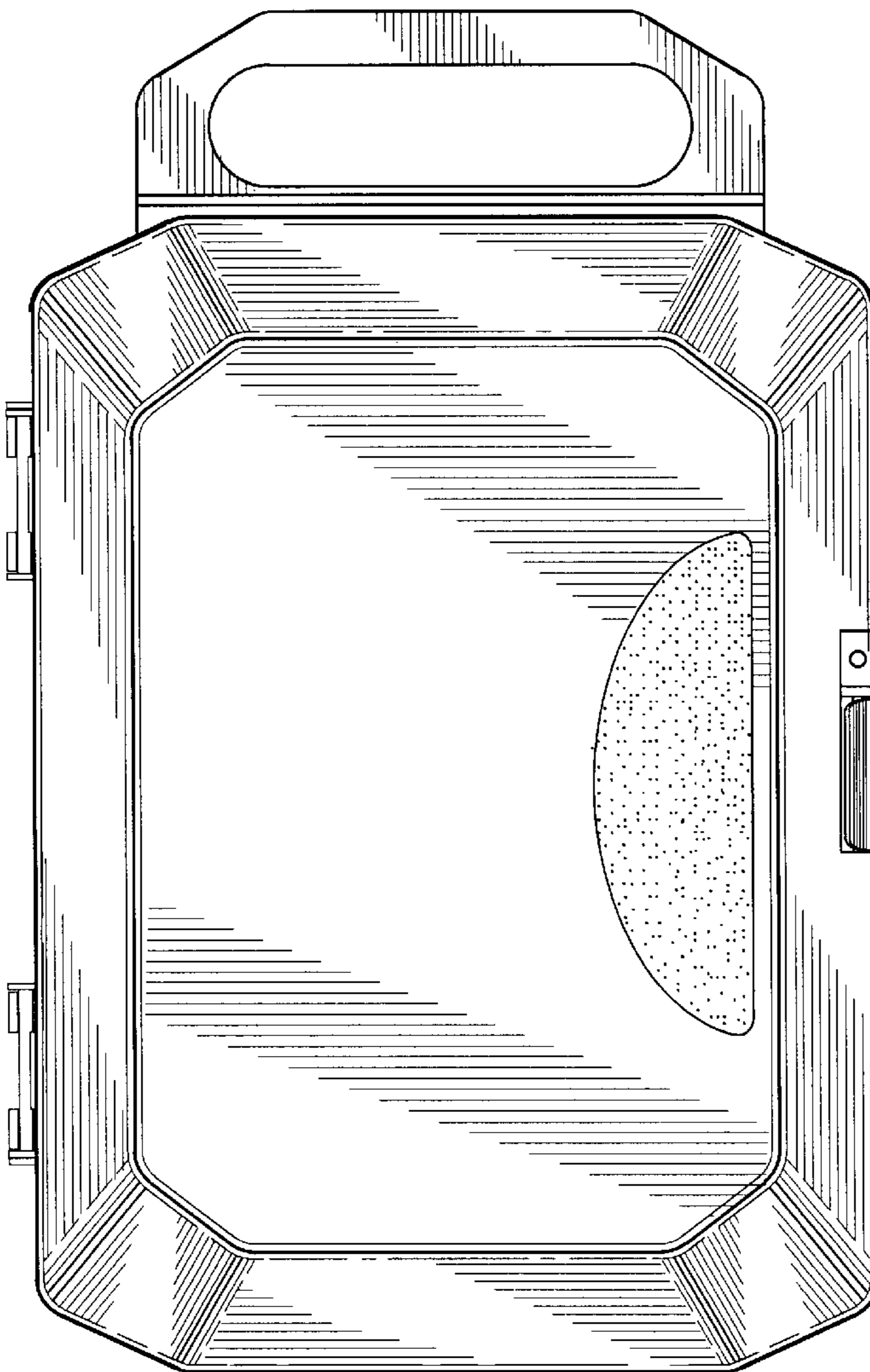


FIG. 10

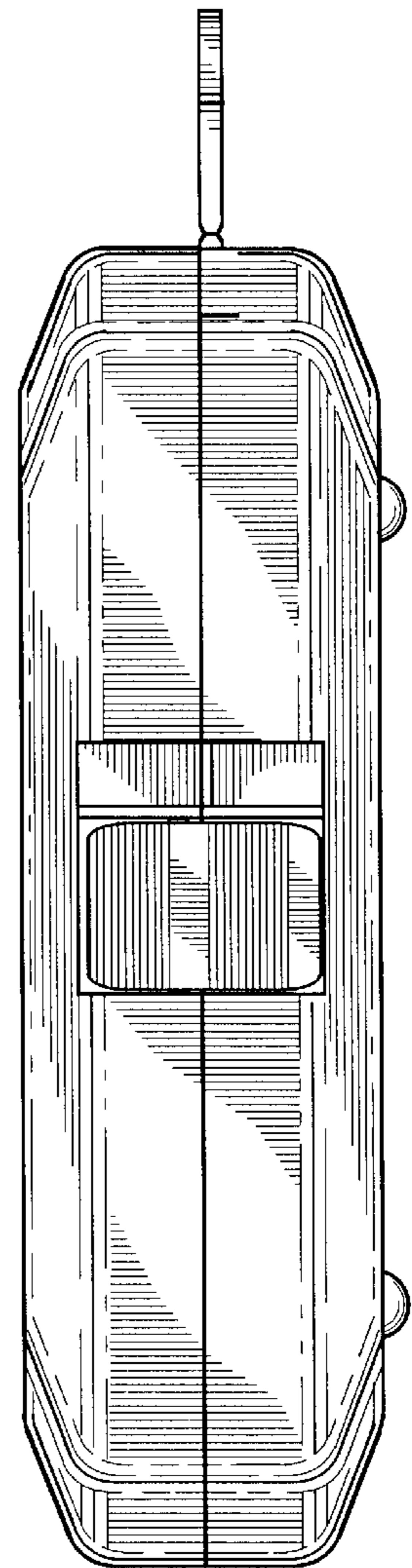


FIG. 11

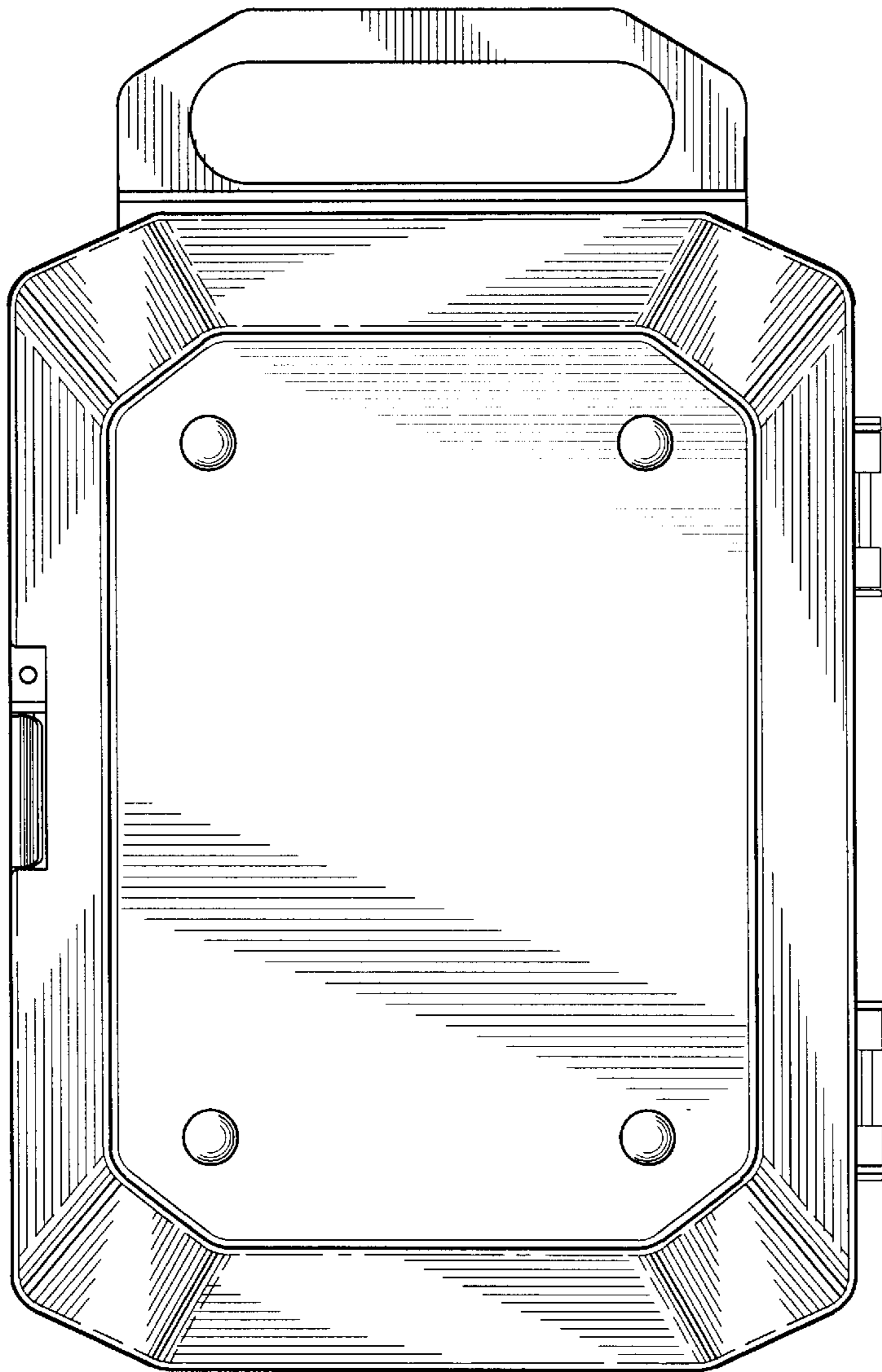


FIG. 12

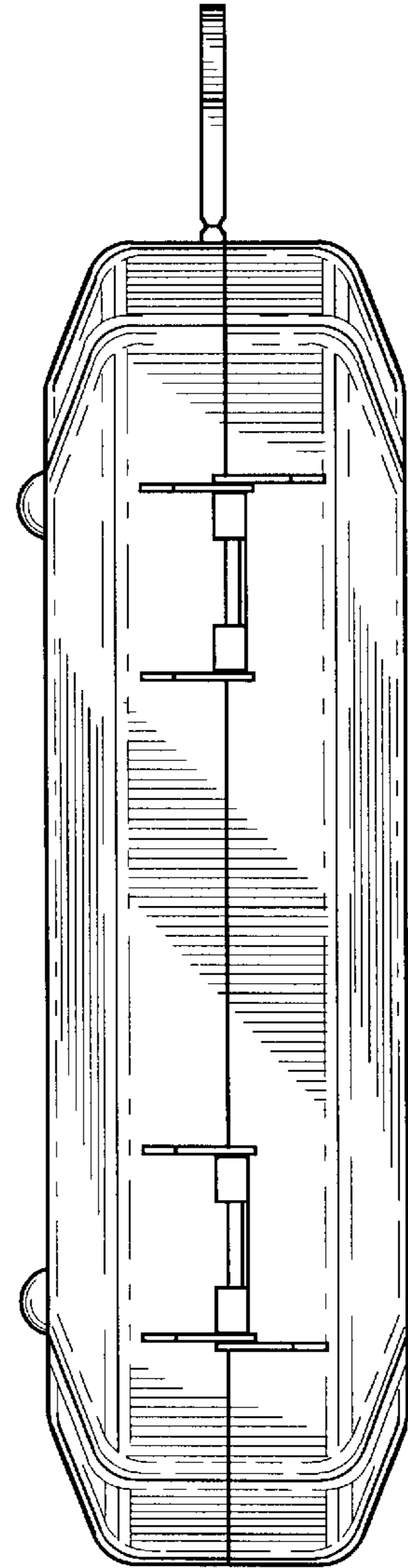


FIG. 13

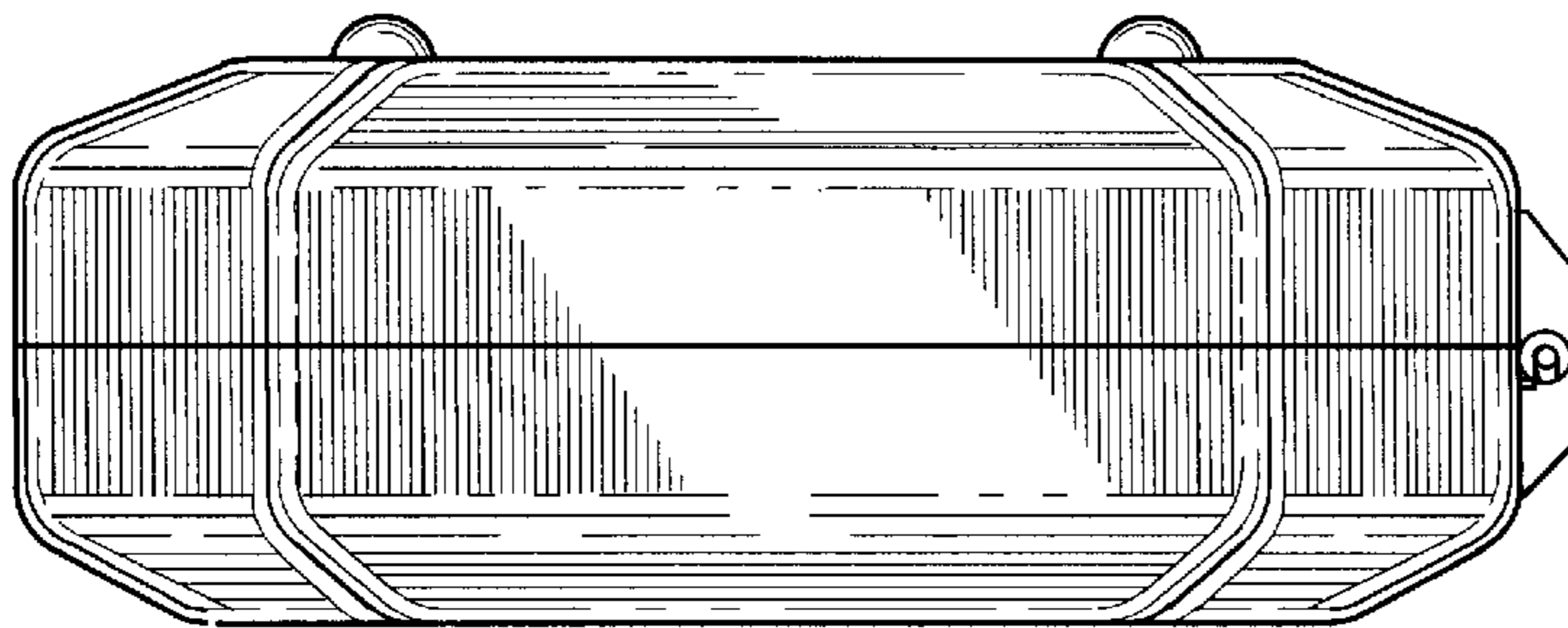


FIG. 14