



US00D474320S

(12) **United States Design Patent**  
**Stark**

(10) **Patent No.:** **US D474,320 S**

(45) **Date of Patent:** **\*\* May 6, 2003**

(54) **SURFACE CONFIGURATION OF A VEHICLE AND TOY**

(75) **Inventor:** **Stefan Stark**, Ludwigsburg (DE)

(73) **Assignee:** **Dr. Ing. h.c.F. Porsche Aktiengesellschaft**, Stuttgart (DE)

(\*\*) **Term:** **14 Years**

(21) **Appl. No.:** **29/151,257**

(22) **Filed:** **Dec. 6, 2001**

(30) **Foreign Application Priority Data**

Jun. 6, 2001 (DE) ..... 401 04 952

(51) **LOC (7) Cl.** ..... **12-05**

(52) **U.S. Cl.** ..... **D34/34**

(58) **Field of Search** ..... D34/28, 34; 414/572, 414/592, 631; 187/222, 237; 180/89.12, 89.13, 89.17; D15/30, 31, 33; D21/433, 434, 556

(56) **References Cited**

**U.S. PATENT DOCUMENTS**

D234,050 S	*	1/1975	Crawford et al.	.....	D34/34
D247,517 S	*	3/1978	Dehner	.....	D34/34
D253,184 S	*	10/1979	Fratarcangeli	.....	D21/433
4,207,967 A	*	6/1980	Stedman	.....	187/237
D257,432 S	*	10/1980	Erlacher	.....	D21/433
4,506,750 A	*	3/1985	Leskovec	.....	180/89.17
D327,356 S	*	6/1992	Laatsch	.....	D34/34
5,184,699 A	*	2/1993	Aoki et al.	.....	414/631
D338,764 S	*	8/1993	Furuta et al.	.....	D34/34
D346,188 S	*	4/1994	Vandergrift	.....	D21/434
D346,259 S	*	4/1994	Laatsch	.....	D34/34
D353,704 S	*	12/1994	Bhambra	.....	D34/34
D353,931 S	*	12/1994	Kobayakawa et al.	.....	D34/34
D354,604 S	*	1/1995	Soederberg	.....	D34/34
D357,673 S	*	4/1995	Heiler	.....	D34/34

D358,013 S	*	5/1995	Heiler	.....	D34/34
D361,645 S	*	8/1995	Heiler	.....	D34/34
D362,099 S	*	9/1995	Heiler	.....	D34/34
D362,329 S	*	9/1995	Heiler	.....	D34/34
D367,750 S	*	3/1996	Choi et al.	.....	D34/34
D374,752 S	*	10/1996	Lee et al.	.....	D34/34
D376,242 S	*	12/1996	Jung et al.	.....	D34/34
D384,476 S	*	9/1997	Rick et al.	.....	D34/34
D386,872 S	*	11/1997	Rick et al.	.....	D34/34
D386,875 S	*	11/1997	Kim	.....	D34/34
D389,981 S	*	1/1998	Donaldson	.....	D34/34
D393,516 S	*	4/1998	Hahn et al.	.....	D34/34
D396,928 S	*	8/1998	Hahn et al.	.....	D34/34
D427,409 S	*	6/2000	Sato et al.	.....	D34/34

\* cited by examiner

*Primary Examiner*—Cynthia E. Ramirez

(74) *Attorney, Agent, or Firm*—Crowell & Moring LLP

(57) **CLAIM**

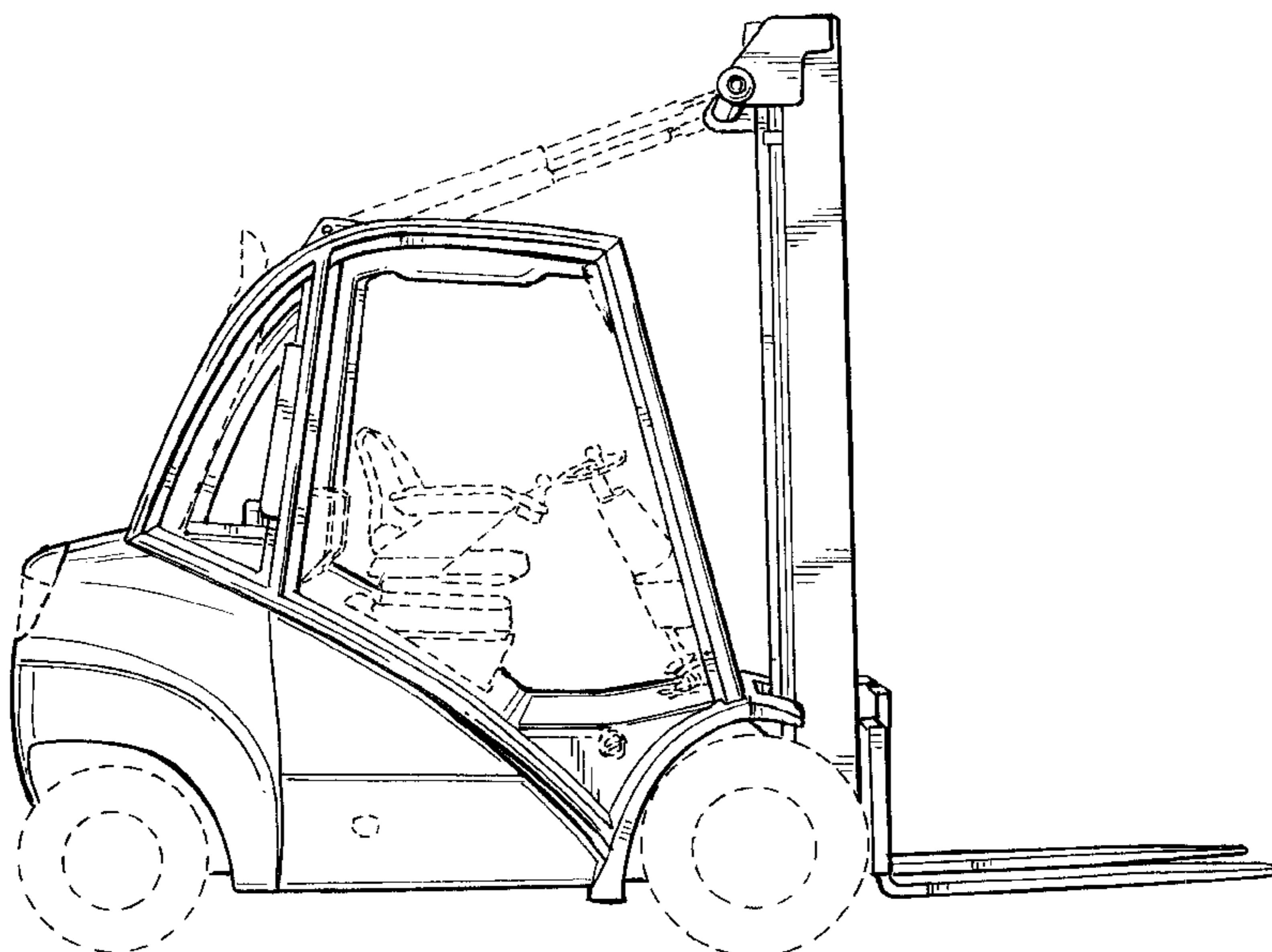
The ornamental design for a surface configuration of a vehicle and toy, as shown and described.

**DESCRIPTION**

FIG. 1 is a right side view of a surface configuration of a vehicle and toy according to my novel design; FIG. 2 is a left side view of the surface configuration of a vehicle and toy according to my novel design; FIG. 3 is a front view of the surface configuration of a vehicle and toy according to my novel design; FIG. 4 is a rear view of the surface configuration of a vehicle and toy according to my novel design; FIG. 5 is a front perspective view of the surface configuration of a vehicle and toy according to my novel design; and, FIG. 6 is a rear perspective view of the surface configuration of a vehicle and toy according to my novel design.

The dash lines included depict environment and are not part of the claimed design.

**1 Claim, 3 Drawing Sheets**



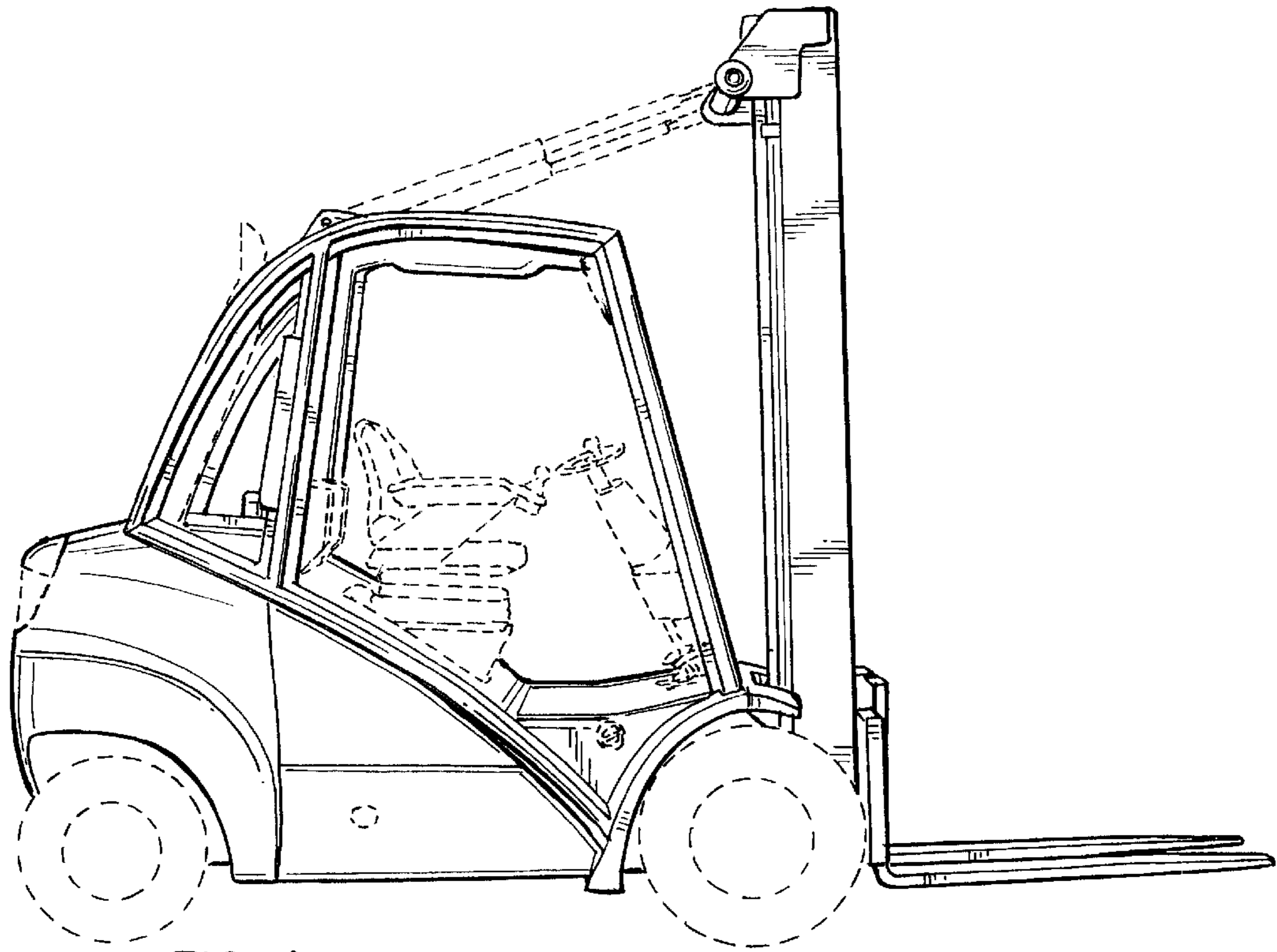


FIG. 1

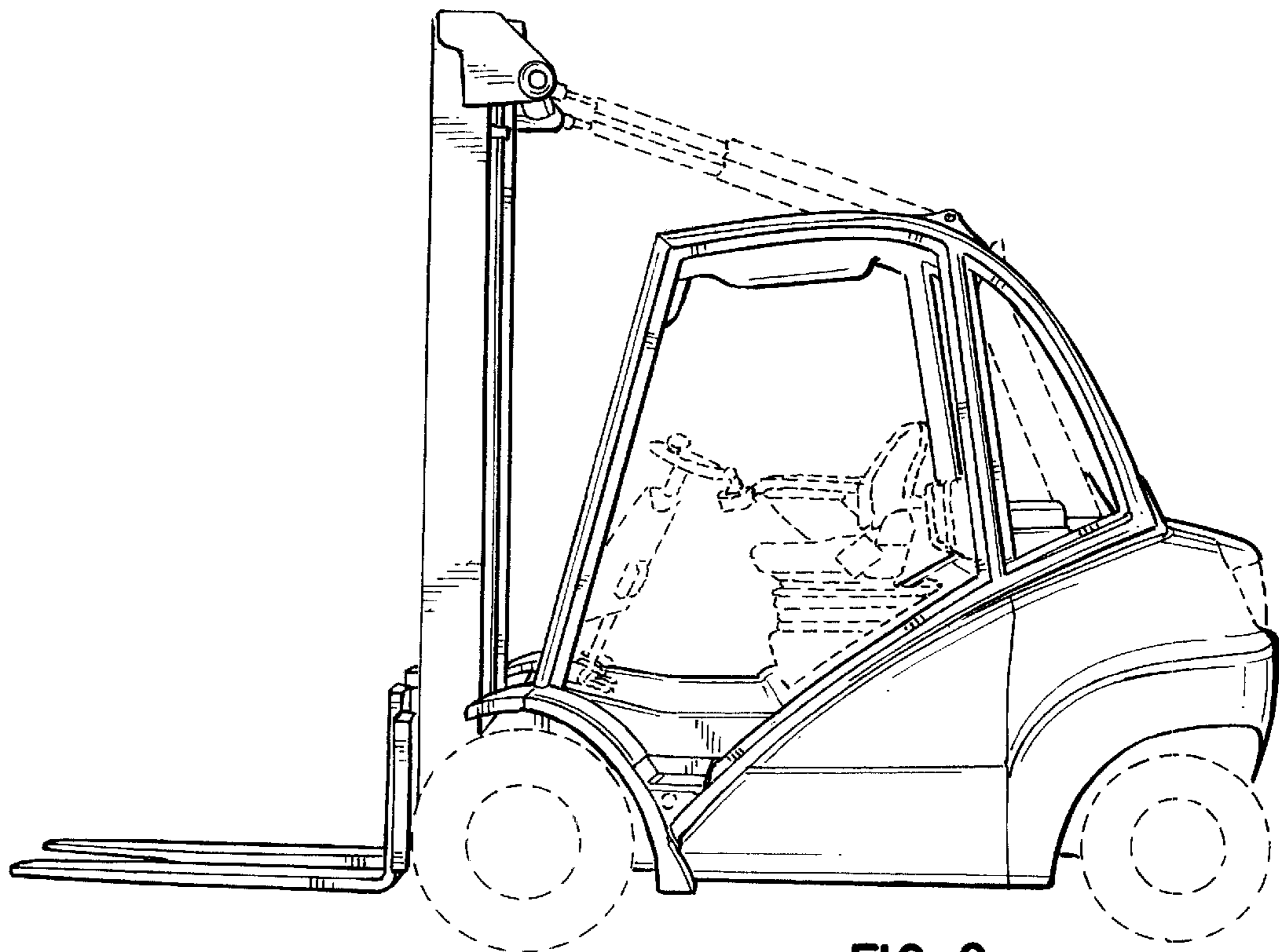


FIG. 2

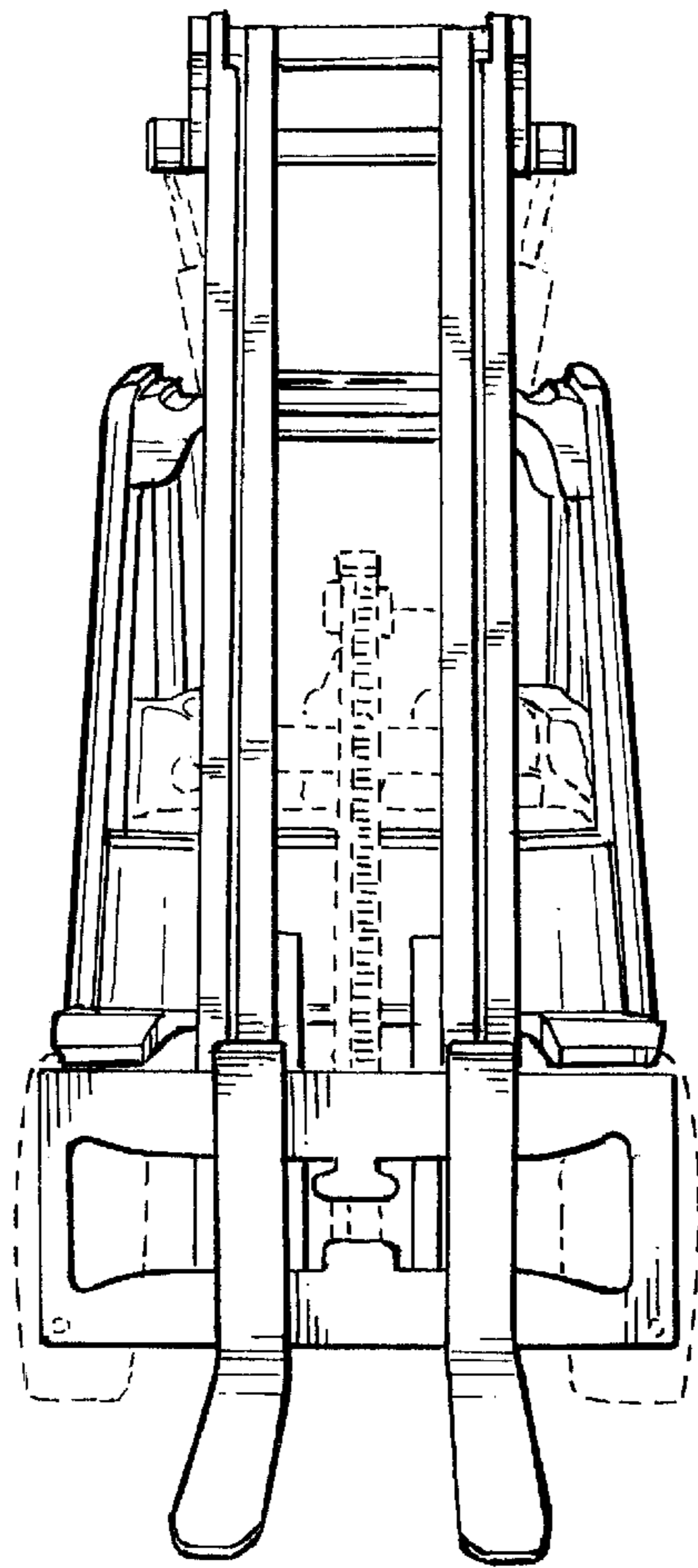


FIG. 3

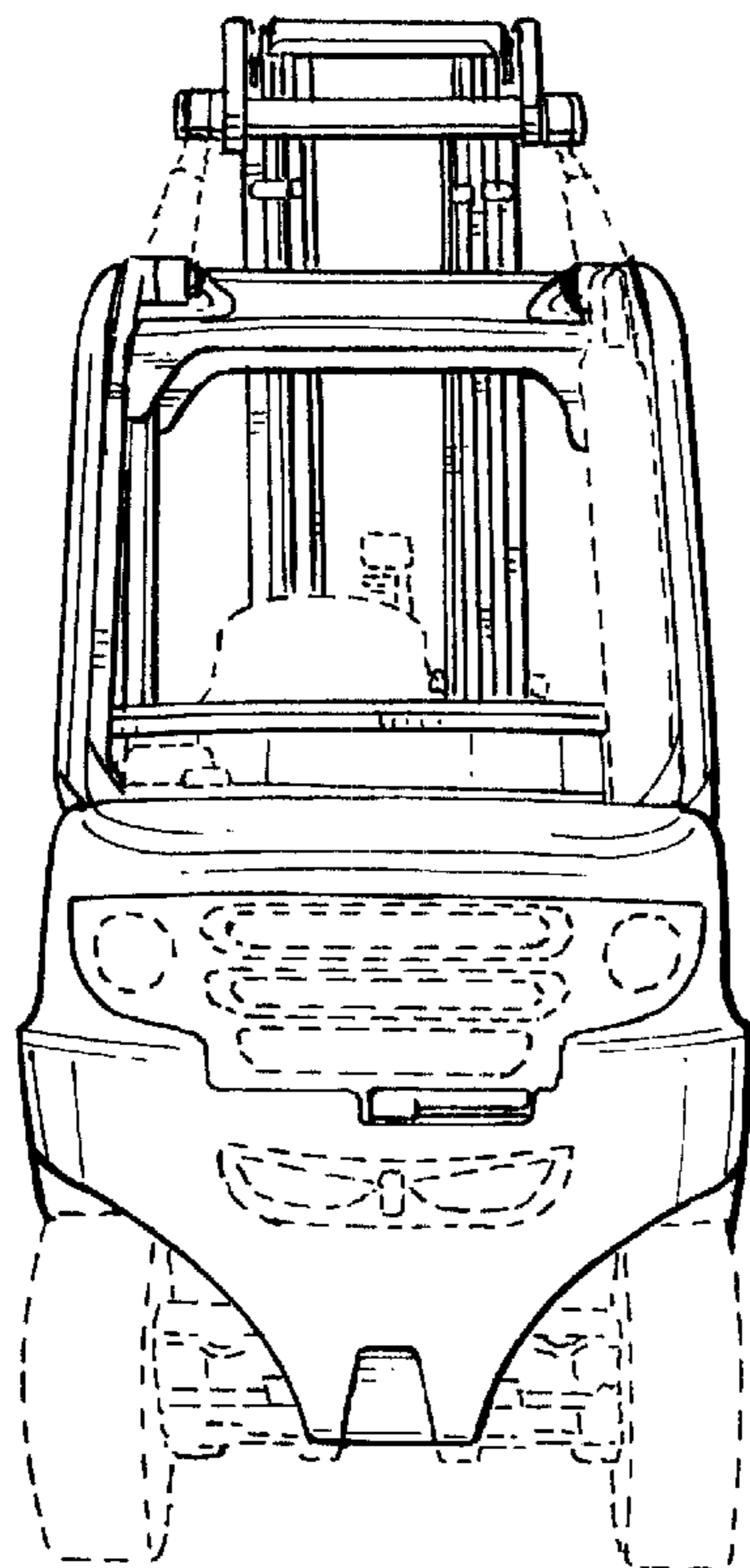


FIG. 4

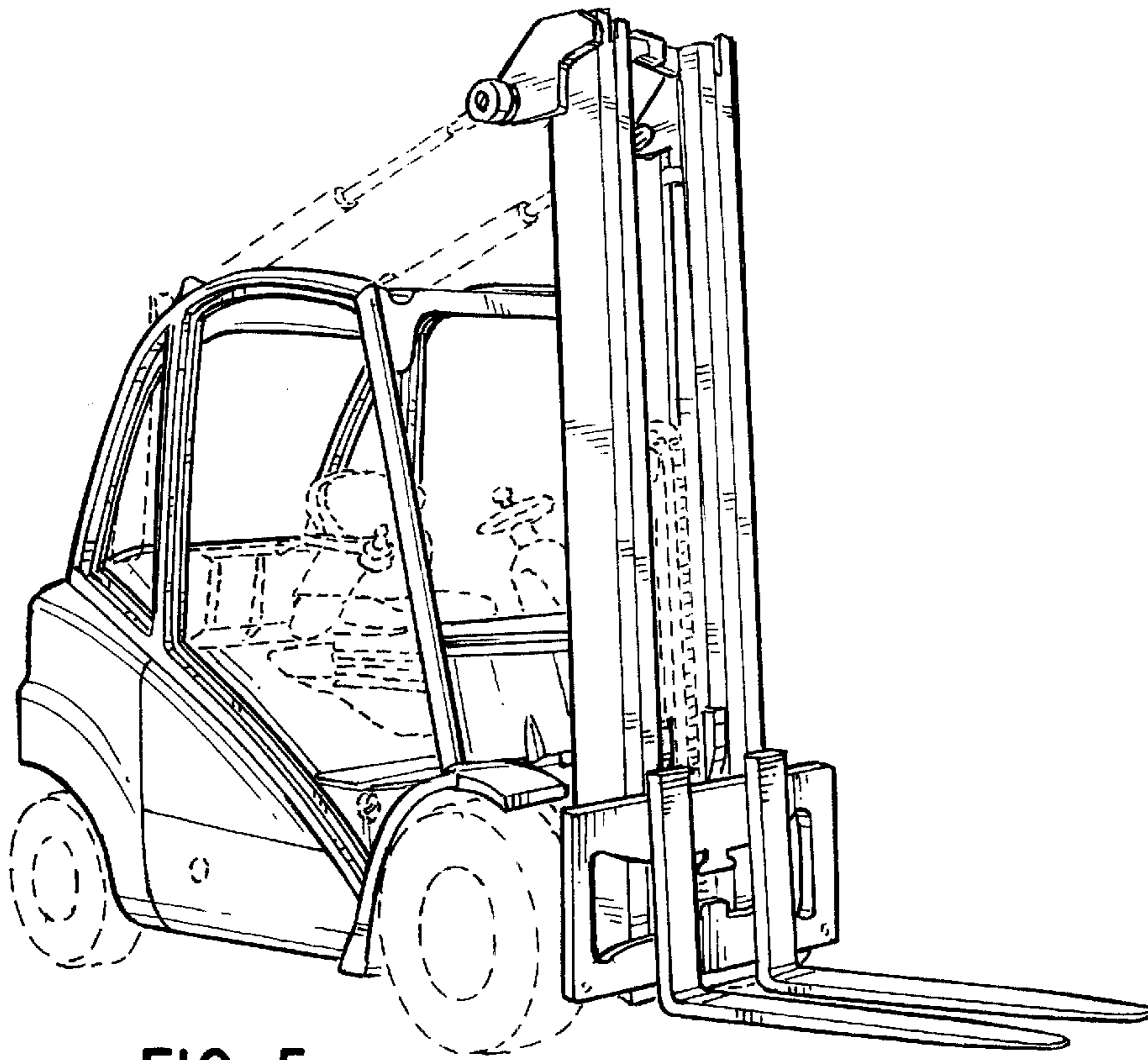


FIG. 5

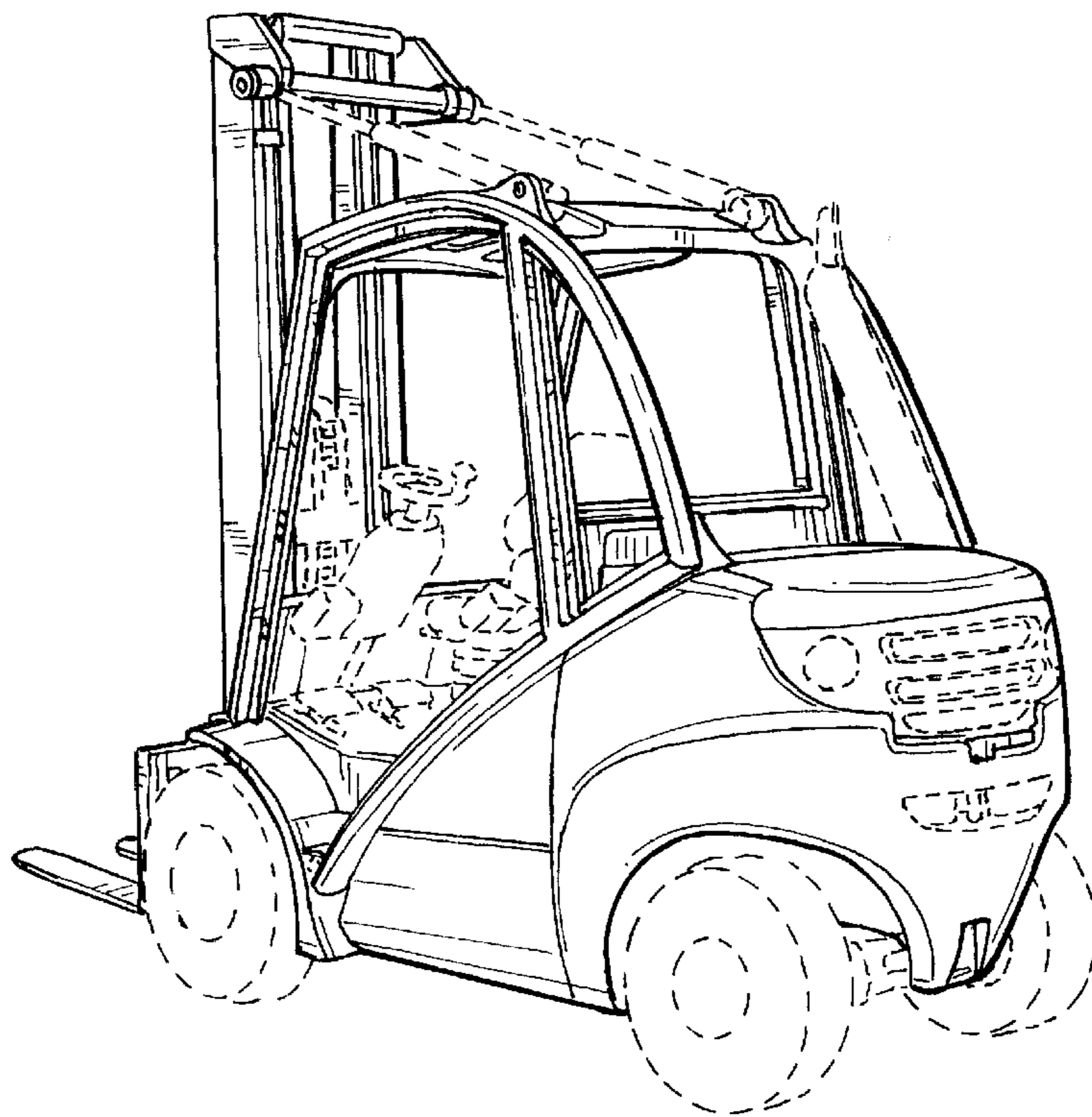


FIG. 6