



US00D474318S

(12) **United States Design Patent**  
**Van Landingham, Jr. et al.**

(10) **Patent No.:** **US D474,318 S**

(45) **Date of Patent:** **\*\* May 6, 2003**

(54) **REFUSE CONTAINER SHELF**

(75) Inventors: **A. Reneau Van Landingham, Jr.**,  
Stephens City, VA (US); **Donald**  
**Presnell**, Stephens City, VA (US)

(73) Assignee: **Rubbermaid Commercial Products**  
**LLC**, Winchester, VA (US)

(\*\*) Term: **14 Years**

(21) Appl. No.: **29/160,782**

(22) Filed: **May 17, 2002**

(51) **LOC (7) Cl.** ..... **09-09**

(52) **U.S. Cl.** ..... **D34/10**

(58) **Field of Search** ..... D34/10, 14, 17,  
D34/5; 220/908, 909, 911, 910, 495.08,  
234, 23.6; 209/570, 703, 698; 248/99, 98,  
97

(56) **References Cited**

**U.S. PATENT DOCUMENTS**

|           |   |   |         |         |       |            |
|-----------|---|---|---------|---------|-------|------------|
| 3,310,334 | A | * | 3/1967  | Murphy  | ..... | 220/23.4   |
| D298,073  | S | * | 10/1988 | Johnson | ..... | D34/1      |
| 4,832,292 | A | * | 5/1989  | Beckmam | ..... | 248/99     |
| 4,892,224 | A | * | 1/1990  | Graham  | ..... | 220/495.08 |
| 4,957,252 | A | * | 9/1990  | Watkins | ..... | 248/97     |
| 5,167,342 | A | * | 12/1992 | Merritt | ..... | 220/909    |
| D338,303  | S | * | 8/1993  | Parente | ..... | D34/5      |
| 5,797,497 | A | * | 8/1998  | Edwards | ..... | 209/570    |
| 5,957,320 | A | * | 9/1999  | Boland  | ..... | 220/495.08 |

**OTHER PUBLICATIONS**

Food Transport, Racks.  
Food Transport, Meal Delivery, Hubert Catalog, p. 704,  
(2002), see <http://www.hubert.com/>.  
Catereria "Special Plateaux", Chomette Favor Catalog, p.  
320, (2002).

\* cited by examiner

*Primary Examiner*—Cynthia E. Ramirez  
(74) *Attorney, Agent, or Firm*—Foley & Lardner

(57) **CLAIM**

The ornamental design for a refuse container shelf, as shown and described.

**DESCRIPTION**

FIG. 1 is a perspective view of a refuse container shelf according to our new design;

FIG. 2 is a perspective view of the refuse container shelf of FIG. 1 showing a phantom refuse container hanging therein;

FIG. 3 is a perspective view of the refuse container shelf of FIG. 1 showing the shelf in a phantom cart and holding a phantom refuse container, the cart being shown in a cut-away view;

FIG. 4 is a front view of the refuse container shelf of FIG. 1;

FIG. 5 is a back view of the refuse container shelf of FIG. 1;

FIG. 6 is a right side view of the refuse container shelf of FIG. 1;

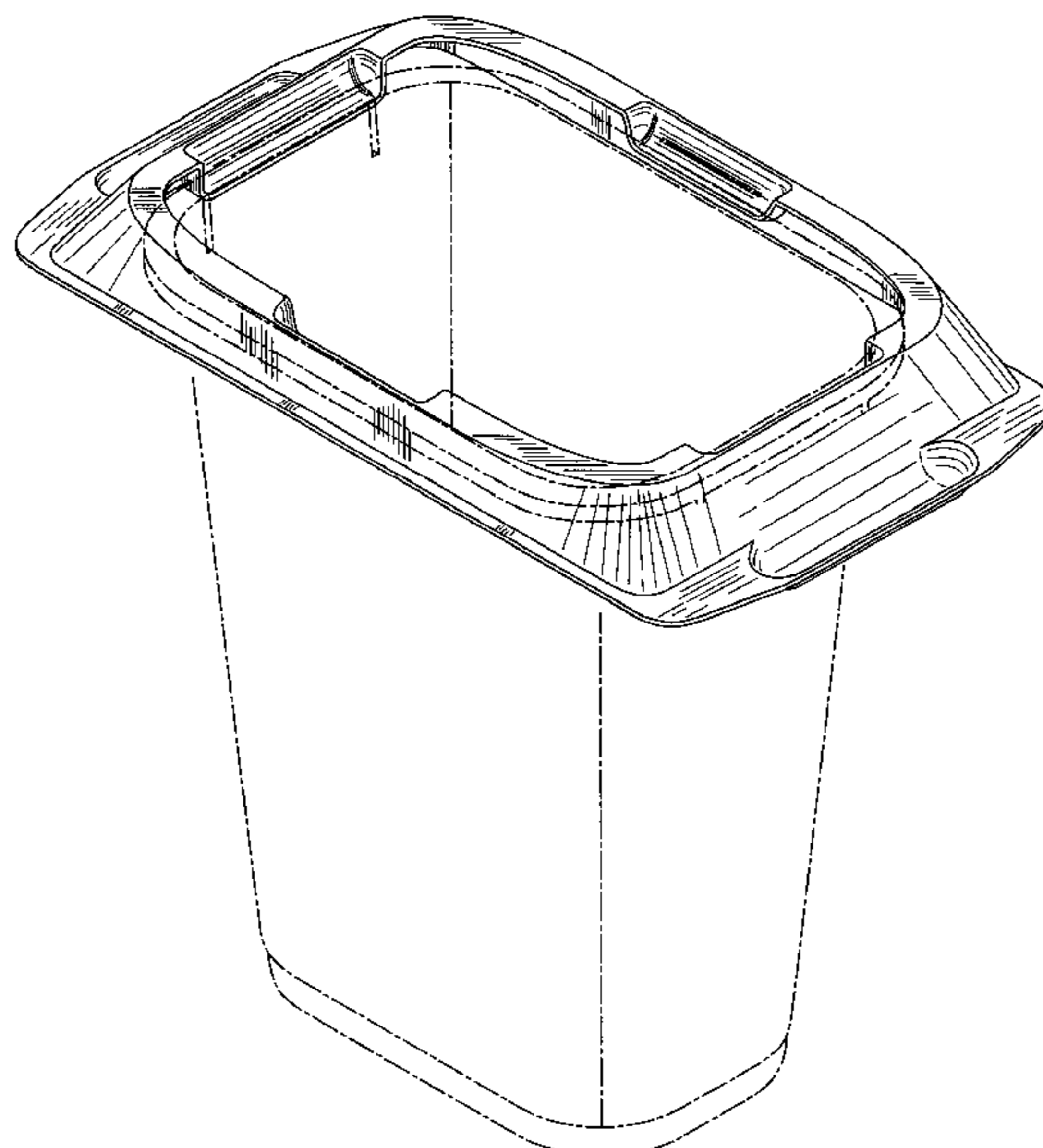
FIG. 7 is a left side view of the refuse container shelf of FIG. 1;

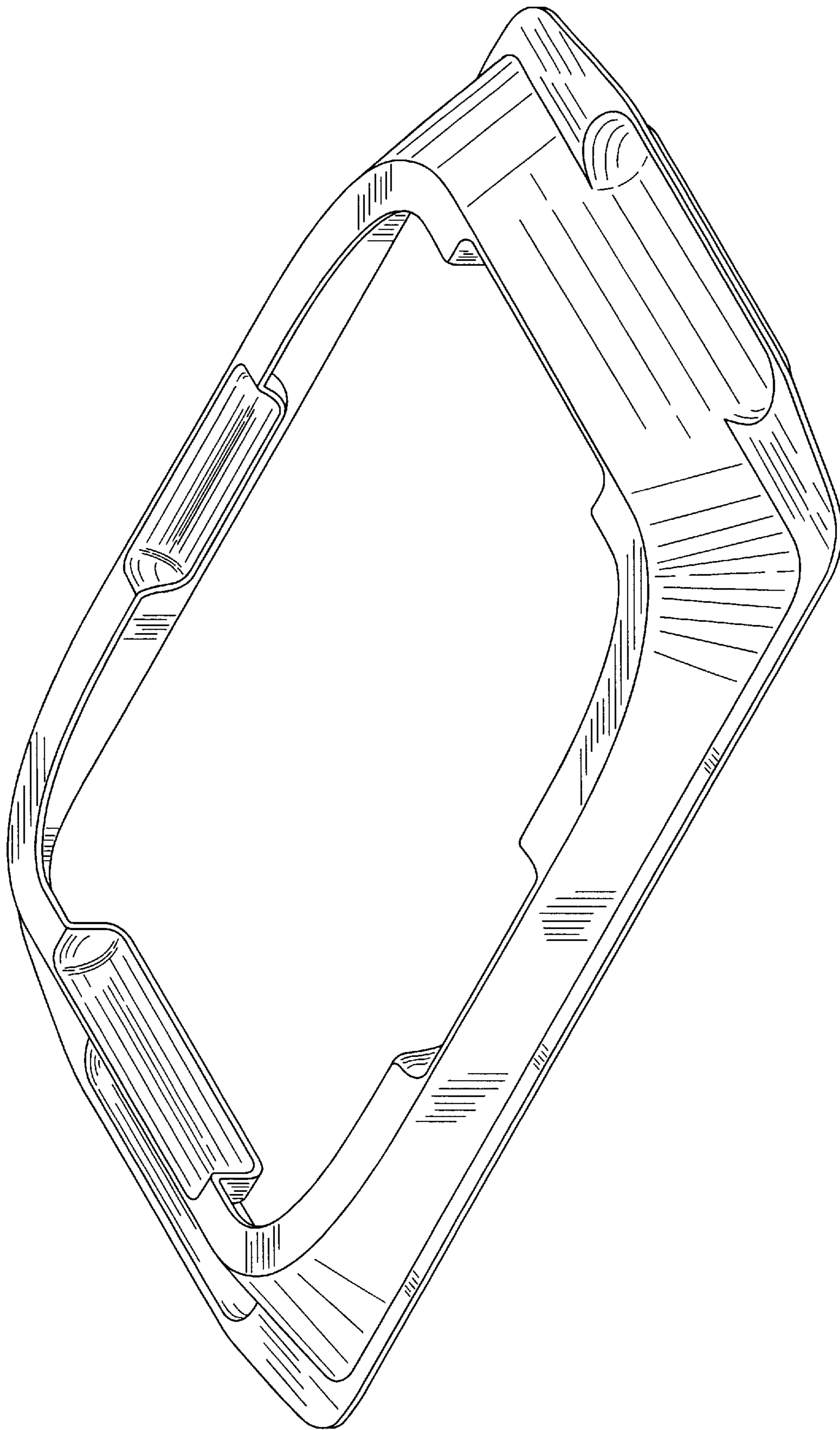
FIG. 8 is a top view of the refuse container shelf of FIG. 1; and,

FIG. 9 is a bottom view of the refuse container shelf of FIG. 1.

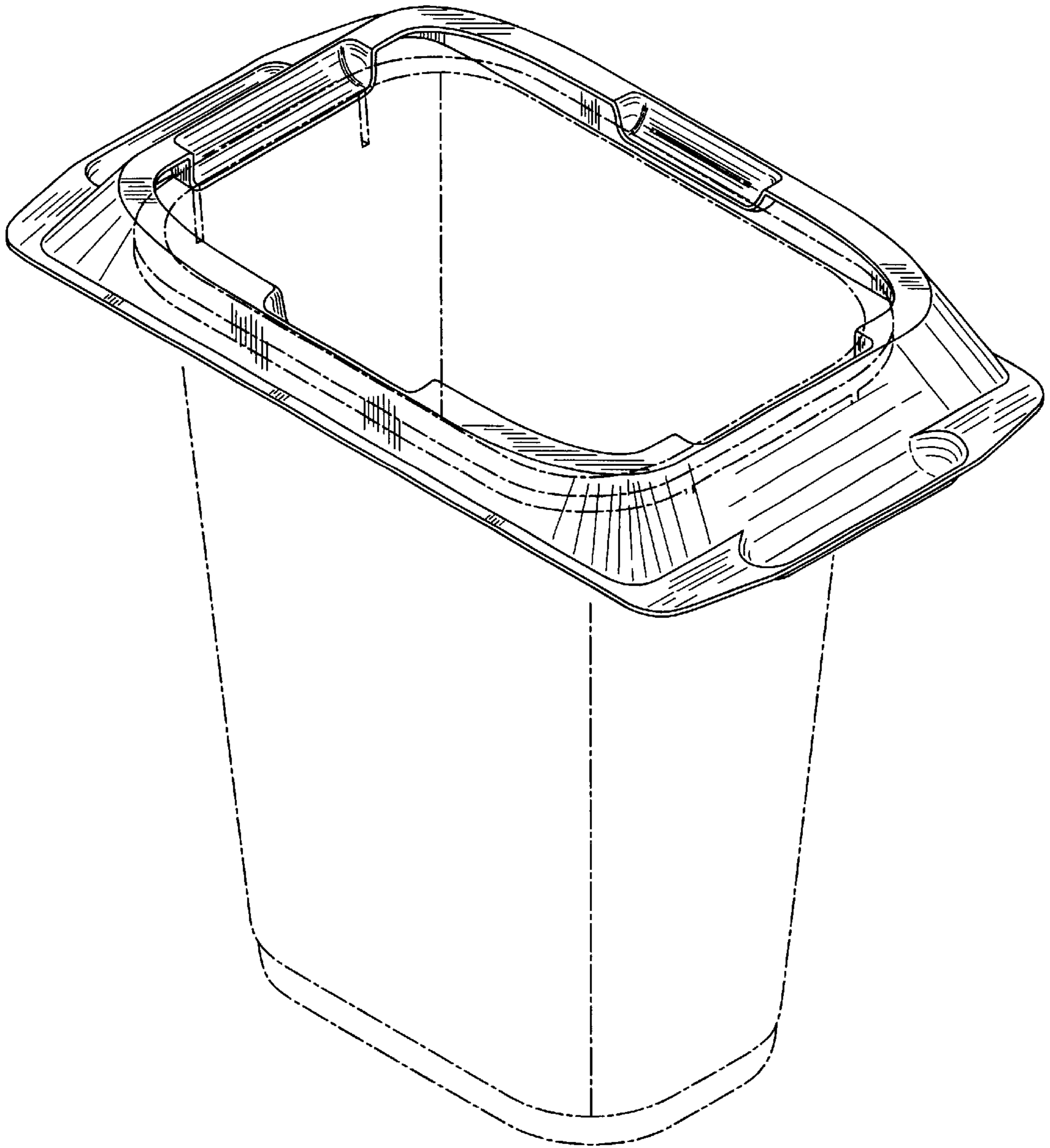
The ornamental design which is claimed is shown in solid lines in the drawings. Any broken lines in the drawings are for illustrative purposes only and form no part of the claimed design.

**1 Claim, 7 Drawing Sheets**

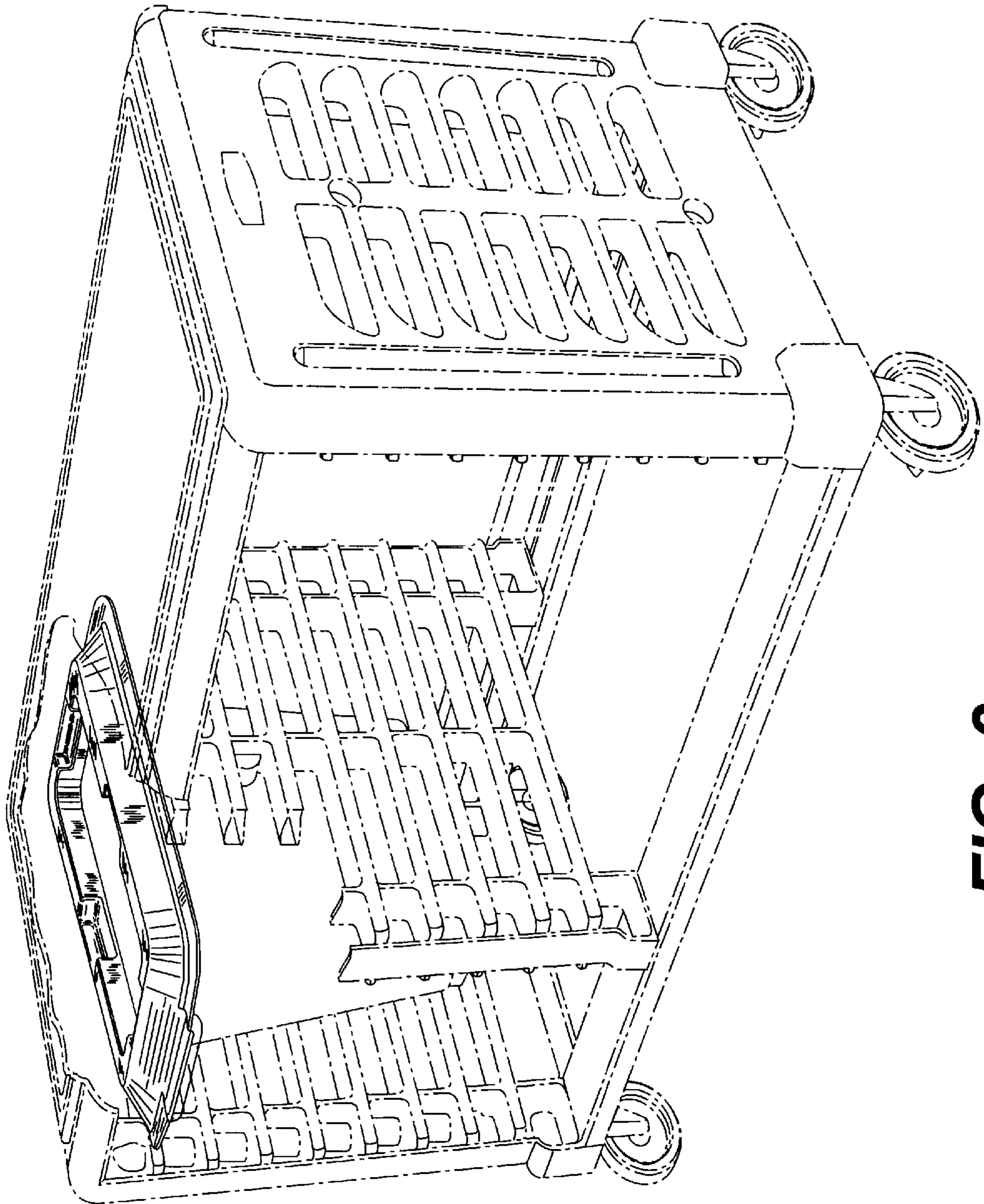




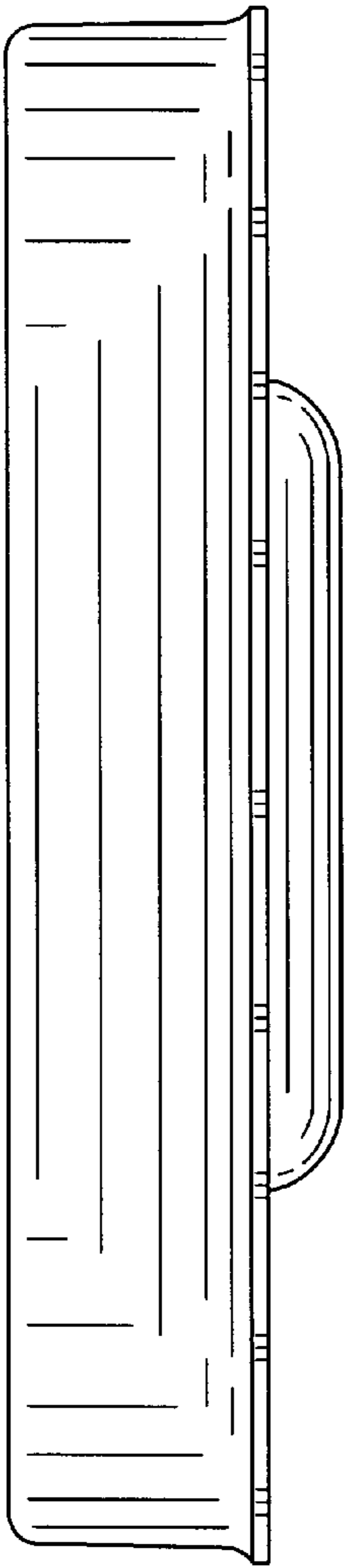
**FIG. 1**



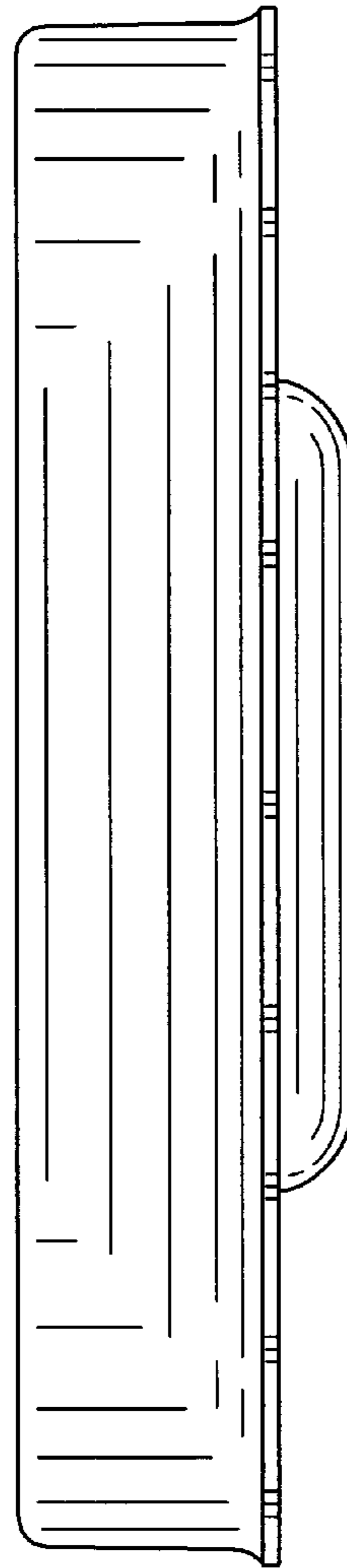
**FIG. 2**



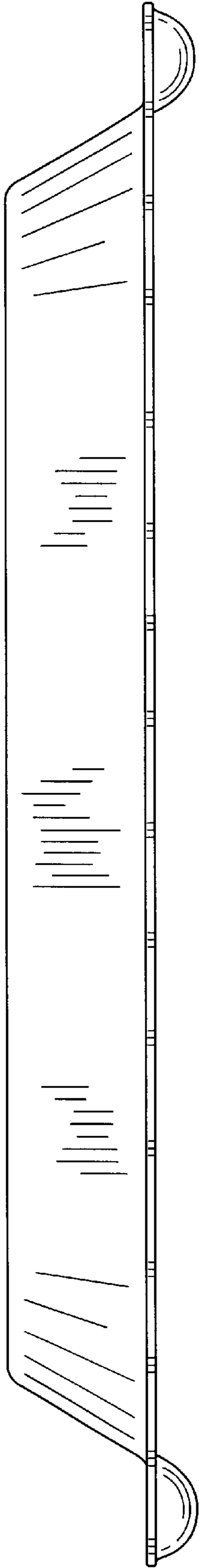
**FIG. 3**



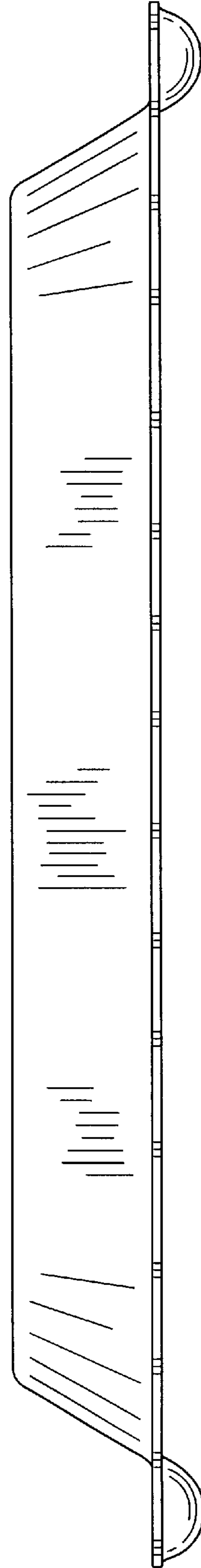
**FIG. 4**



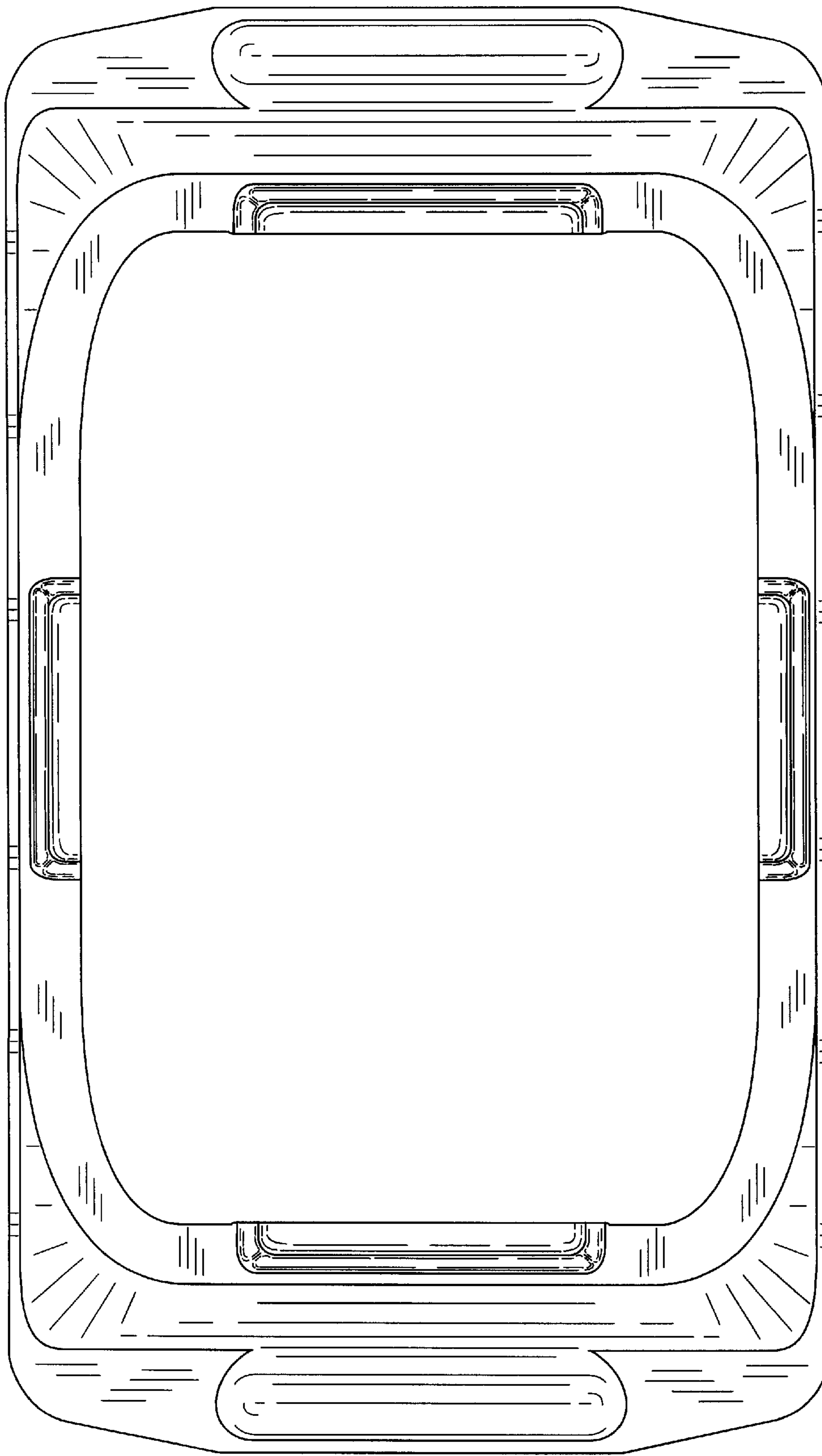
**FIG. 5**



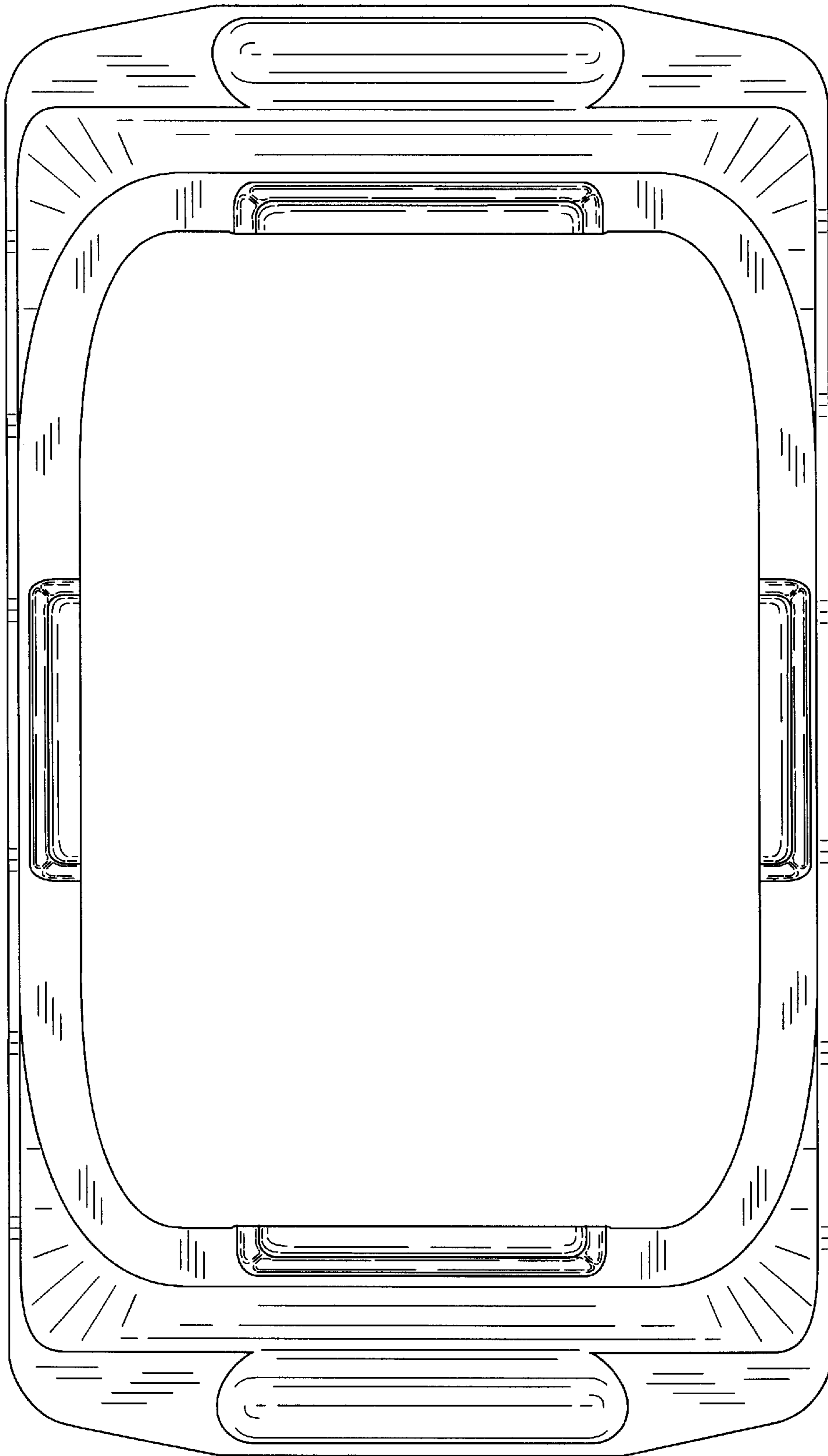
**FIG. 6**



**FIG. 7**



**FIG. 8**



**FIG. 9**