



US00D474316S

(12) **United States Design Patent**
Sofy et al.

(10) **Patent No.:** **US D474,316 S**

(45) **Date of Patent:** **** May 6, 2003**

(54) **HAMPER**

D344,167 S * 2/1994 Hobson et al. D32/37
D457,280 S * 5/2002 Sofy D32/37

(75) Inventors: **Janet M. Sofy**, Troy, MI (US); **Kevin Zalewski**, Royal Oak, MI (US)

* cited by examiner

(73) Assignee: **HMS Mfg. Co.**, Troy, MI (US)

Primary Examiner—Alan P. Douglas

Assistant Examiner—Lavone D. Tabor

(**) Term: **14 Years**

(74) *Attorney, Agent, or Firm*—Howard & Howard

(21) Appl. No.: **29/169,606**

(57) **CLAIM**

(22) Filed: **Oct. 23, 2002**

We claim the ornamental design for a hamper, as shown.

(51) **LOC (7) Cl.** **07-07**

DESCRIPTION

(52) **U.S. Cl.** **D32/37**

FIG. 1 is a top perspective view of the hamper with the top closed,

(58) **Field of Search** D32/37; D34/1,
D34/7; 220/669, 675, 676, 811, 908, 913,
DIG. 12, DIG. 13, DIG. 14

FIG. 2 is a top perspective view of the top open,

FIG. 3 is a bottom perspective view,

FIG. 4 is a front elevational view,

FIG. 5 is a side elevational view; and,

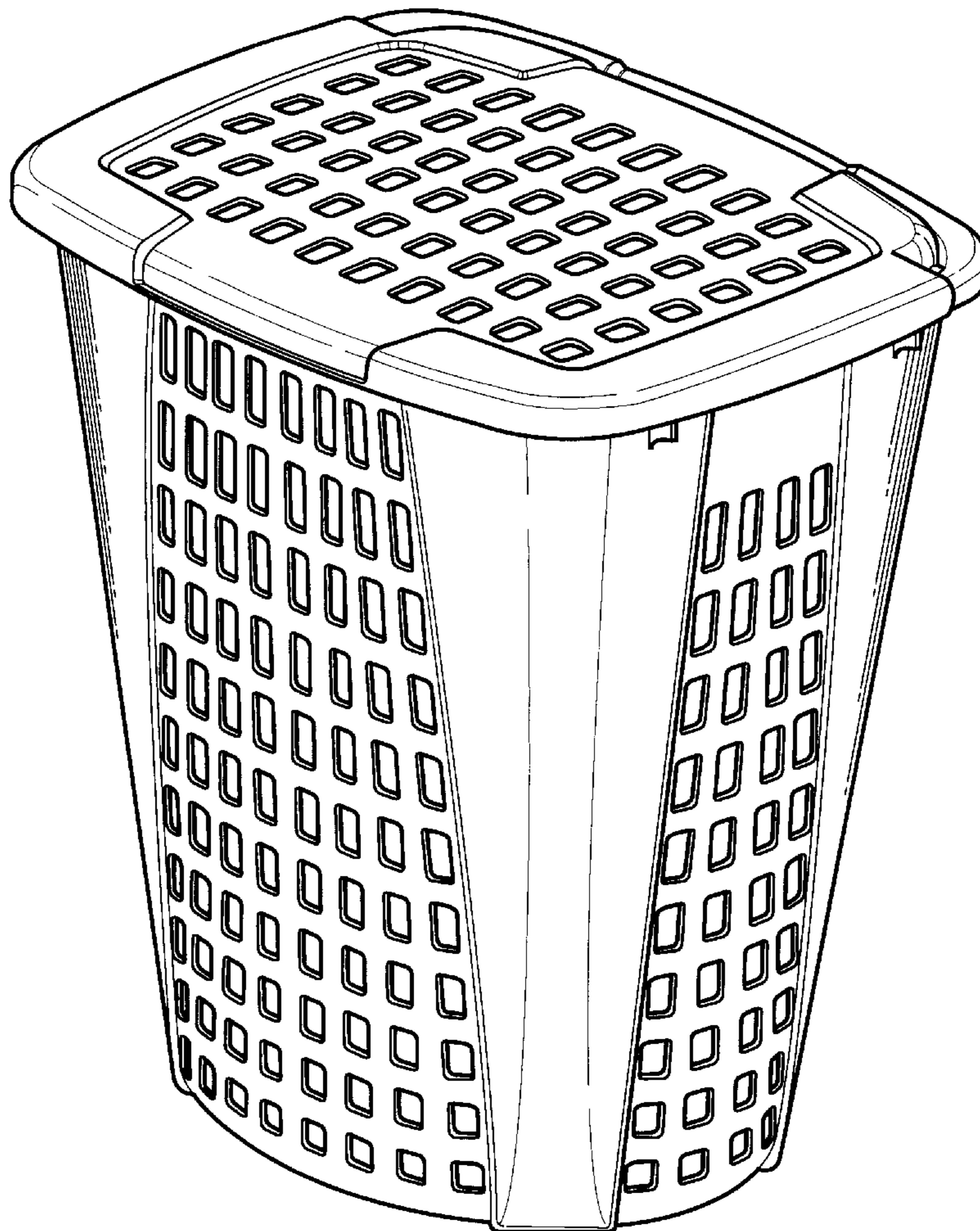
FIG. 6 is a top view with the top closed.

(56) **References Cited**

U.S. PATENT DOCUMENTS

2,186,529 A * 1/1940 Jones D34/1 X
D265,261 S * 6/1982 Gerber D32/37

1 Claim, 5 Drawing Sheets



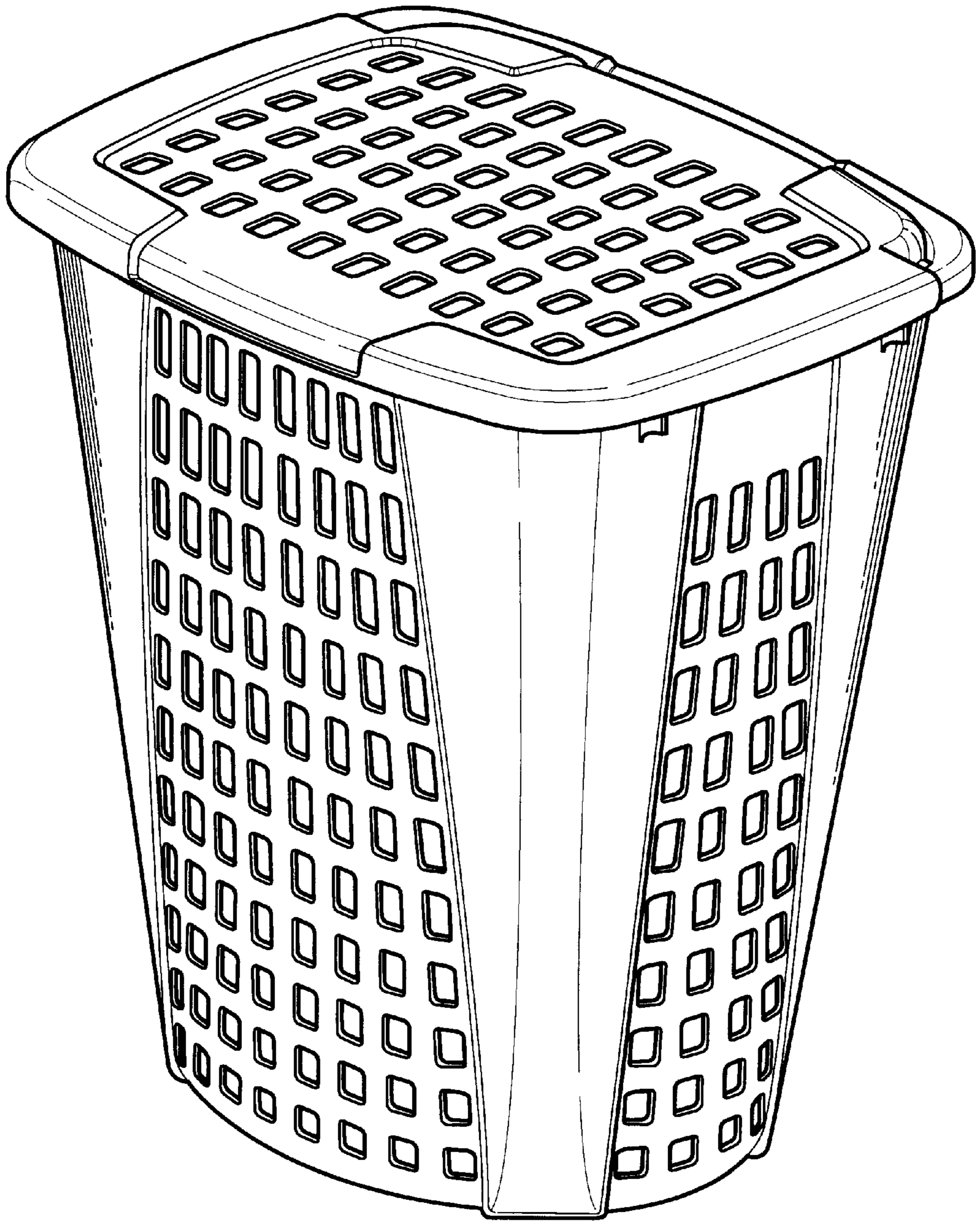


FIG - 1

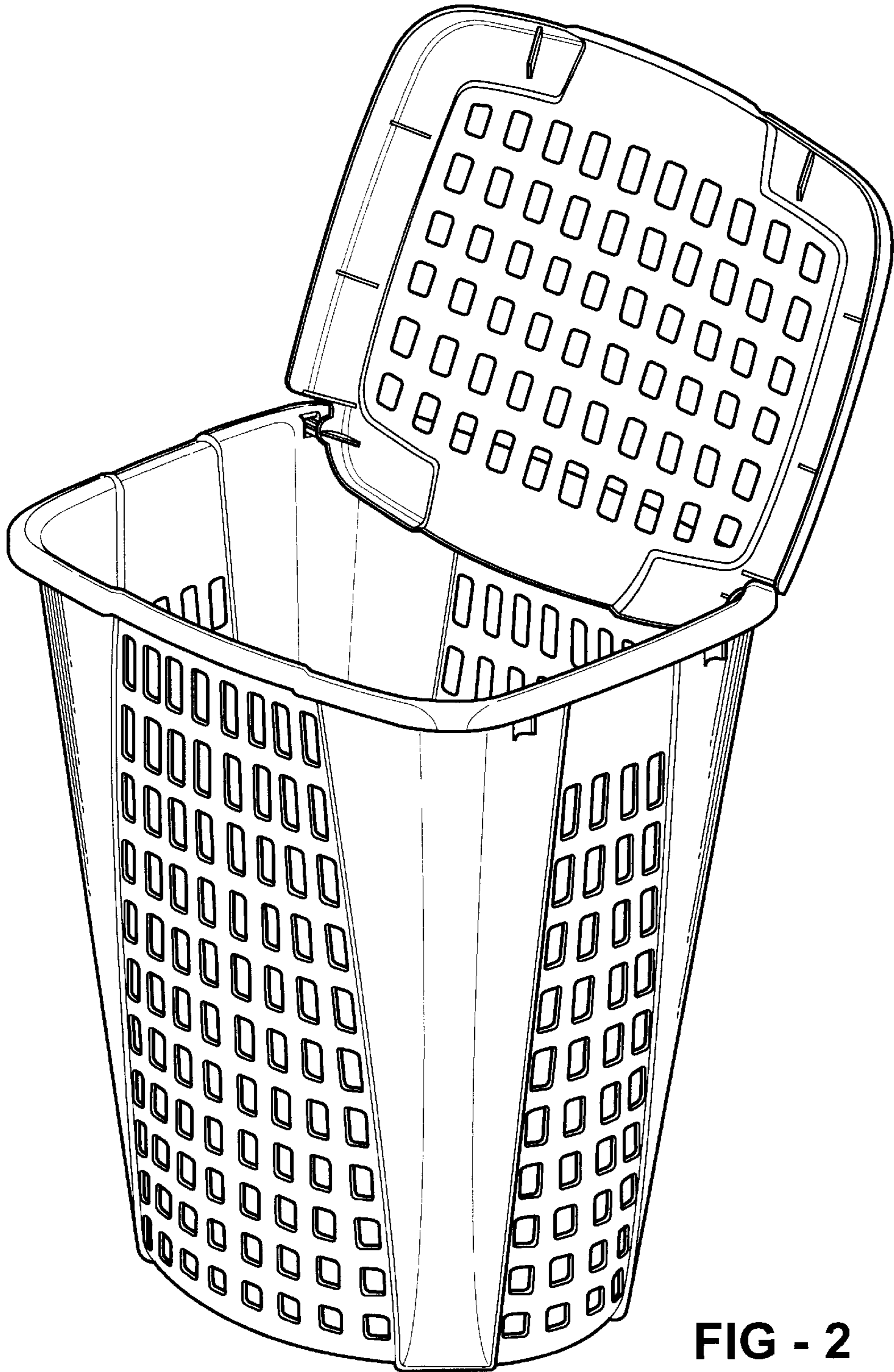


FIG - 2

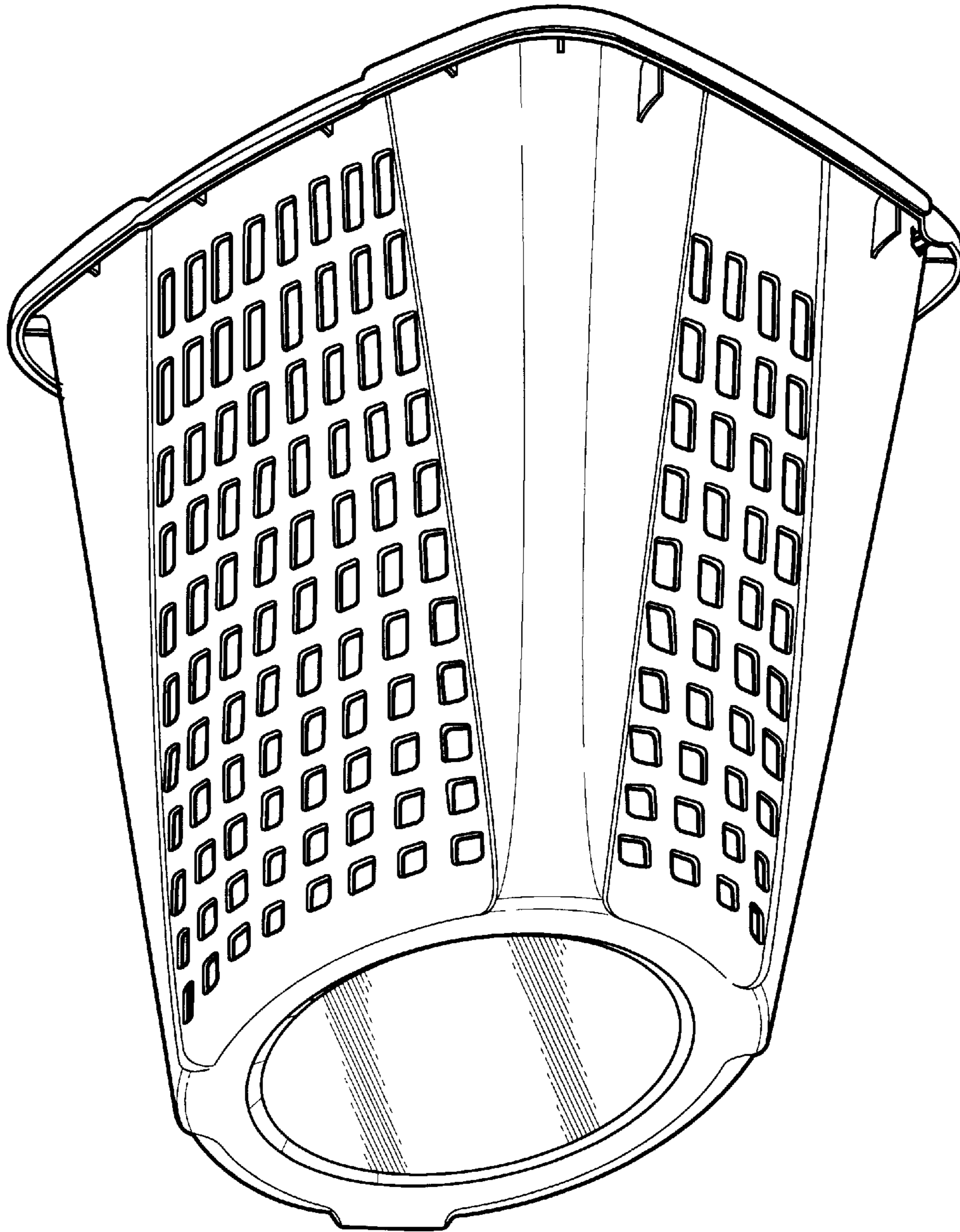


FIG - 3

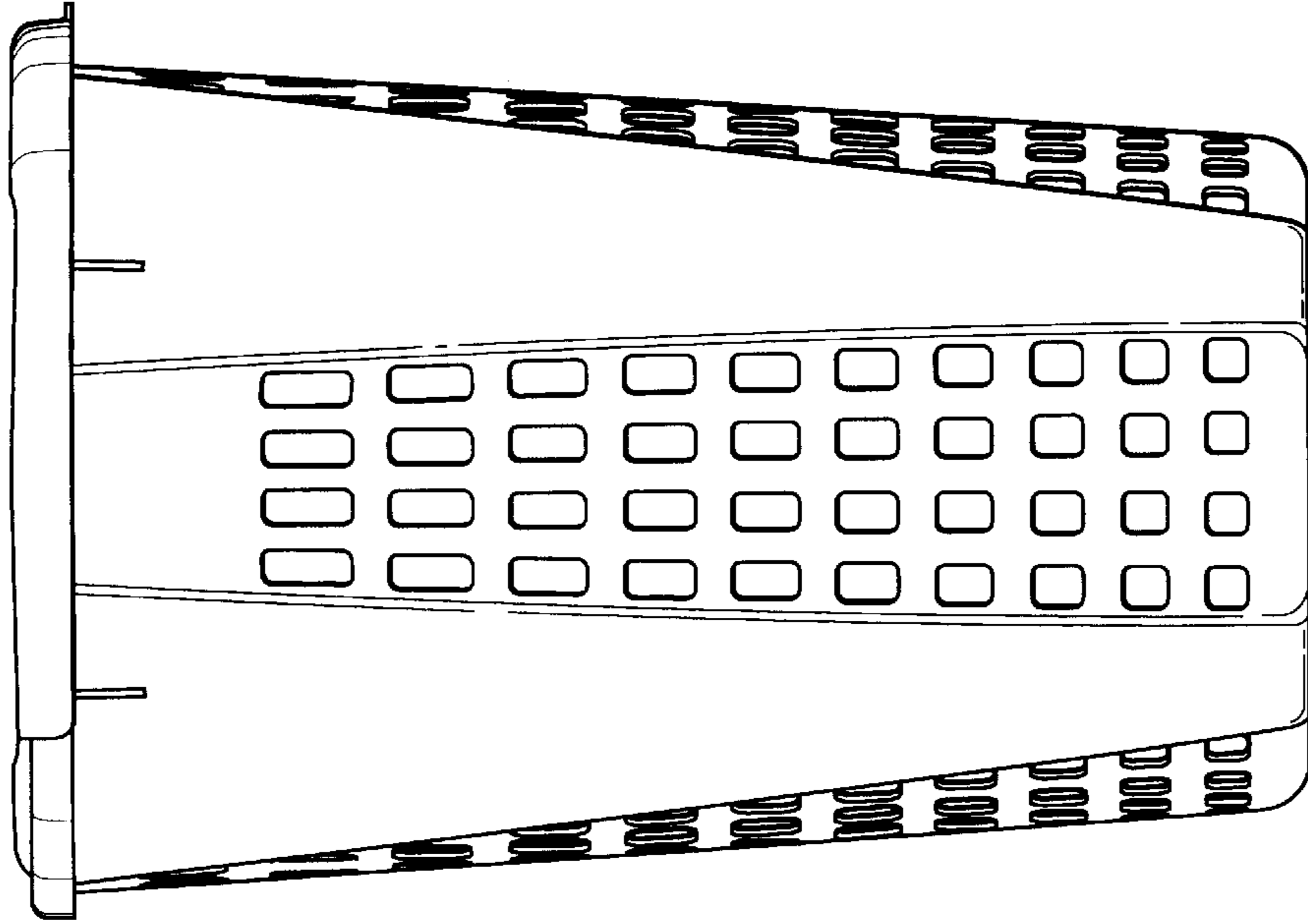


FIG - 5

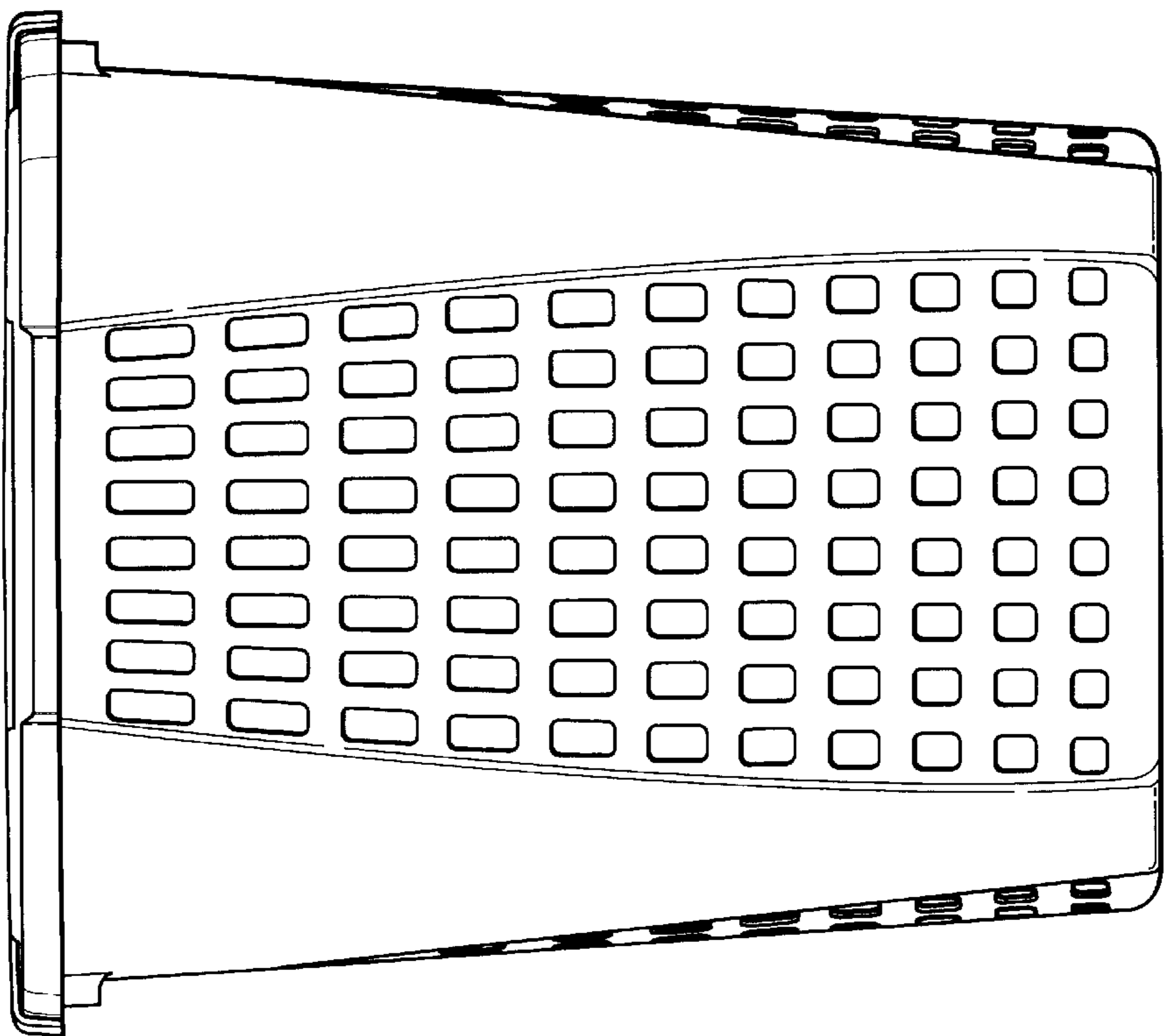


FIG - 4

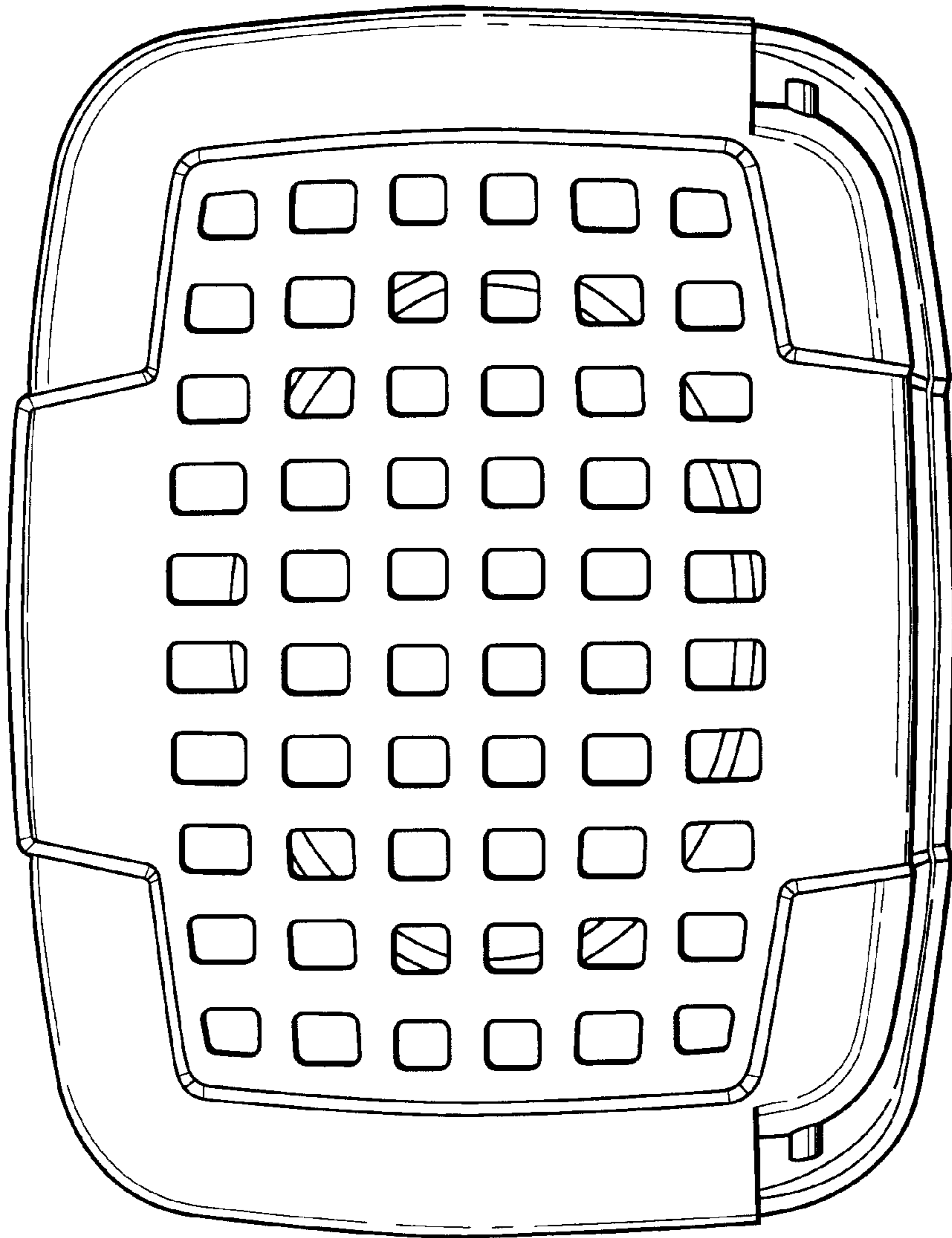


FIG - 6