



US00D474313S

(12) **United States Design Patent**
Byrne

(10) **Patent No.:** **US D474,313 S**

(45) **Date of Patent:** **** May 6, 2003**

(54) **APPLIANCE CONTROL PANEL**

(75) Inventor: **Robert M. Byrne**, Lima, OH (US)

(73) Assignee: **American Trim, LLC**, Lima, OH (US)

(**) Term: **14 Years**

(21) Appl. No.: **29/139,202**

(22) Filed: **Mar. 27, 2001**

(51) **LOC (7) Cl.** **15-05**

(52) **U.S. Cl.** **D32/28**

(58) **Field of Search** D13/163; D7/406,
D7/407, 346; D32/6, 25, 28; 68/139, 140,
142, 173, 172; 99/330; 126/39 R; 134/56 D,
57 D, 57 DL, 58 DL, 58 R, 60, 93; 200/5 A,
5 R; 219/486, 506

(56) **References Cited**

U.S. PATENT DOCUMENTS

D184,559 S	*	3/1959	Combs	D32/28
D207,180 S	*	3/1967	Smith	D32/28
D360,501 S	*	7/1995	Ertz et al.	D32/6
D398,102 S	*	9/1998	Schober	D32/25
5,979,195 A	*	11/1999	Bestell et al.	68/23.2
D449,720 S	*	10/2001	Costello	D32/28

* cited by examiner

Primary Examiner—Ted Shooman
Assistant Examiner—Selina Sikder

(74) *Attorney, Agent, or Firm*—Rankin, Hill, Porter & Clark LLP

(57) **CLAIM**

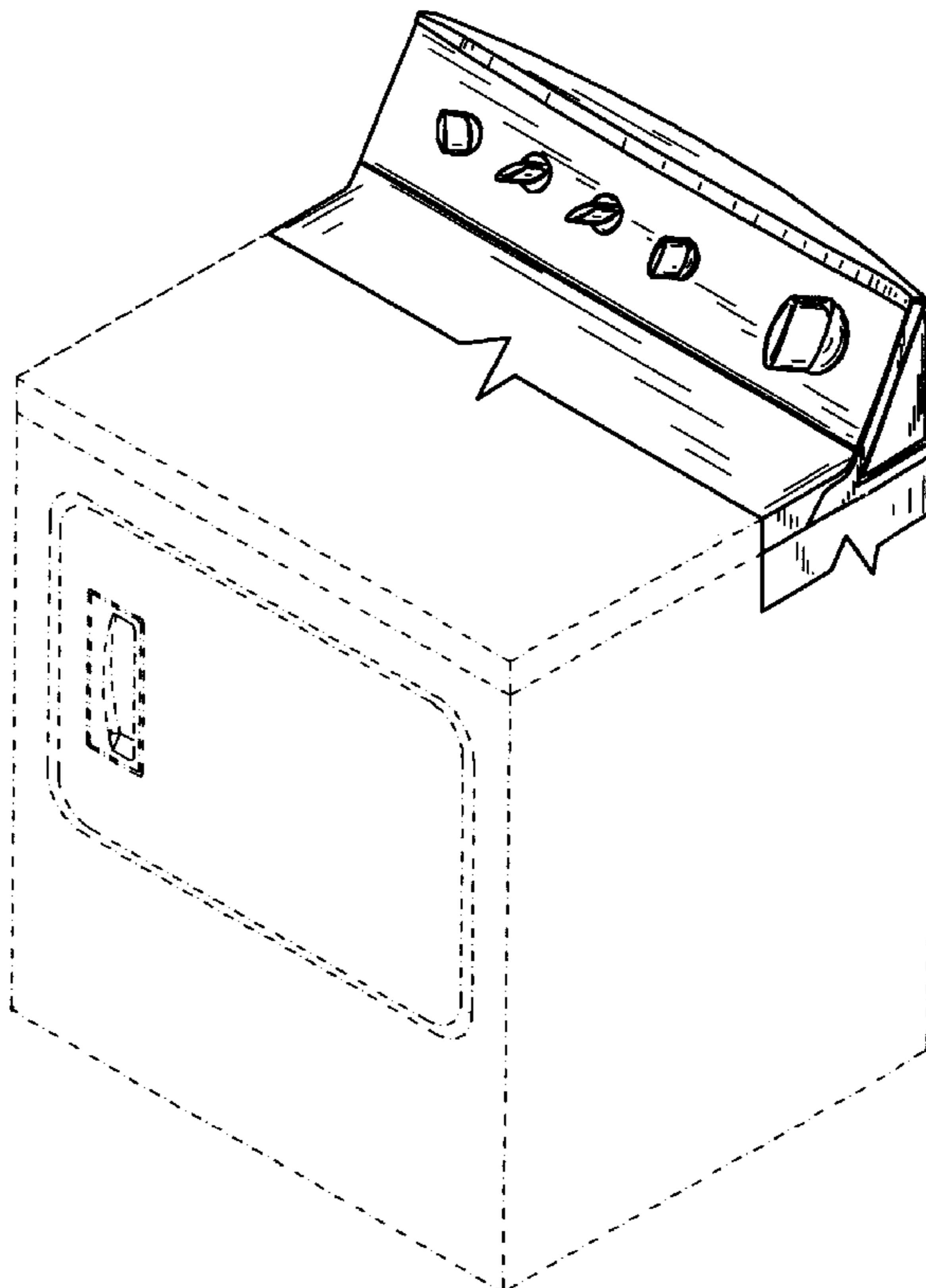
The ornamental design for an appliance control panel, as shown and described.

DESCRIPTION

FIG. 1 is a perspective view of a first embodiment of an appliance control panel according to the invention;
 FIG. 2 is a side elevation view of the embodiment of FIG. 1;
 FIG. 3 is a rear view of the embodiment of FIG. 1;
 FIG. 4 is a top plan elevation view of the embodiment of FIG. 1;
 FIG. 5 is a front elevation view of the embodiment of FIG. 1;
 FIG. 6 is a perspective view of a second embodiment of an appliance control panel according to the invention;
 FIG. 7 is a side elevation view of the embodiment of FIG. 6;
 FIG. 8 is a rear view of the embodiment of FIG. 6;
 FIG. 9 is a top plan elevation view of the embodiment of FIG. 6; and,
 FIG. 10 is a front elevation view of the embodiment of FIG. 6.

The broken line showing of the environment is for illustrative purposes only and forms no part of the claimed design.

1 Claim, 2 Drawing Sheets



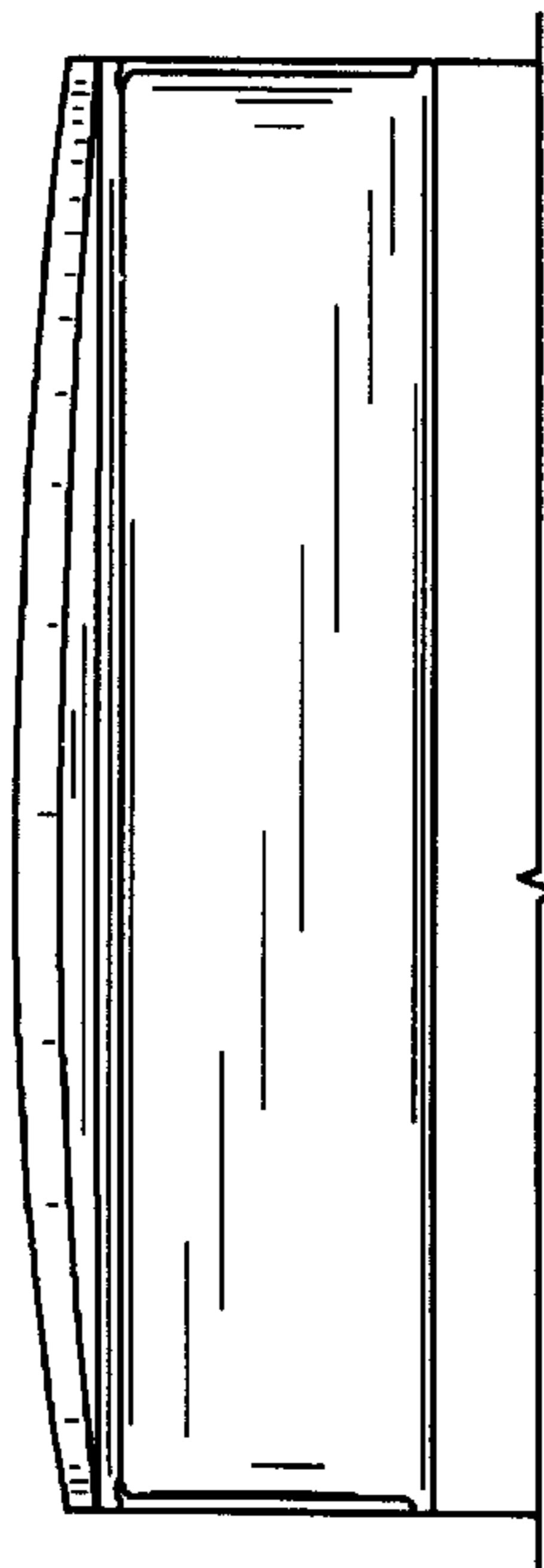
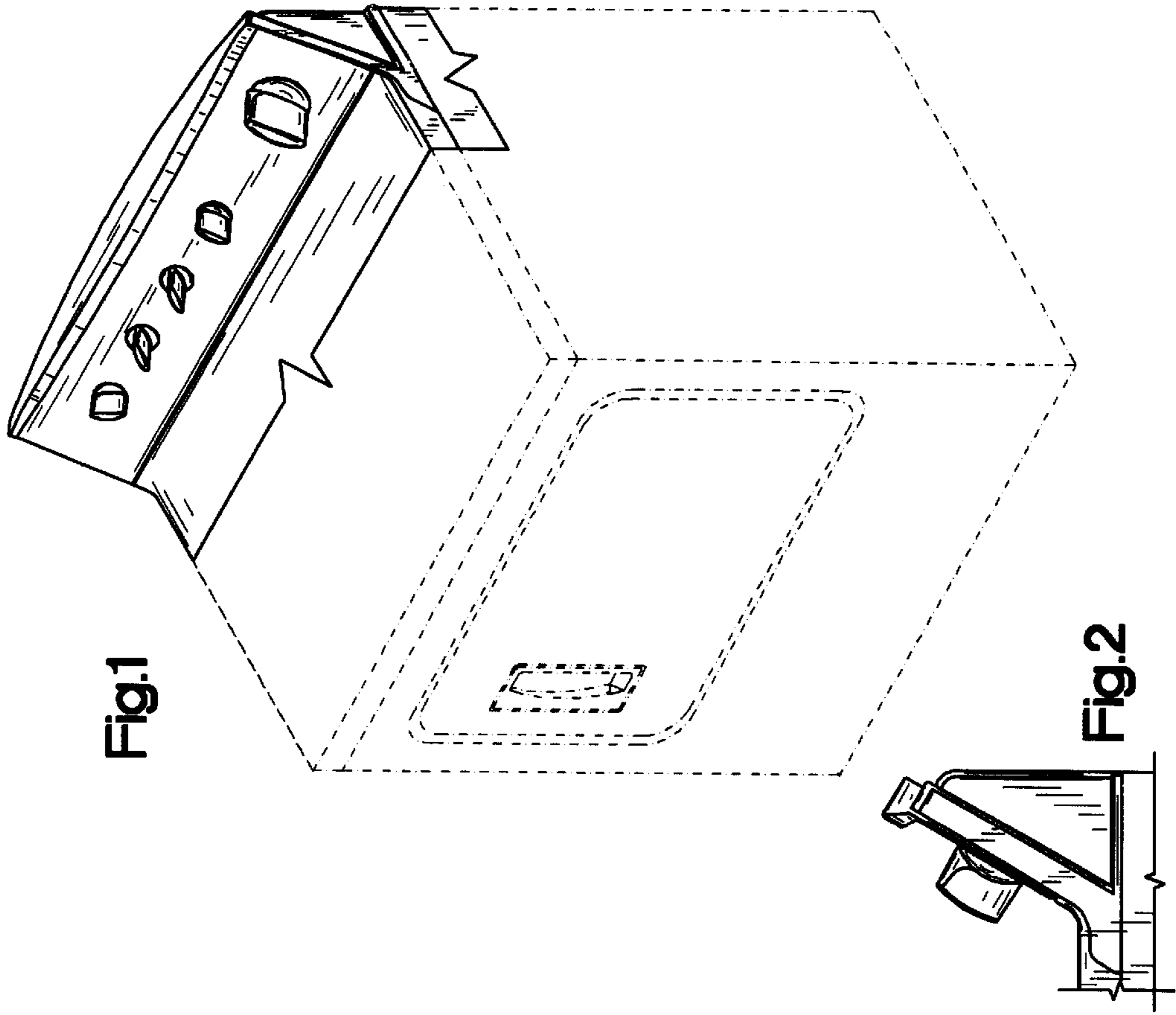


Fig.3

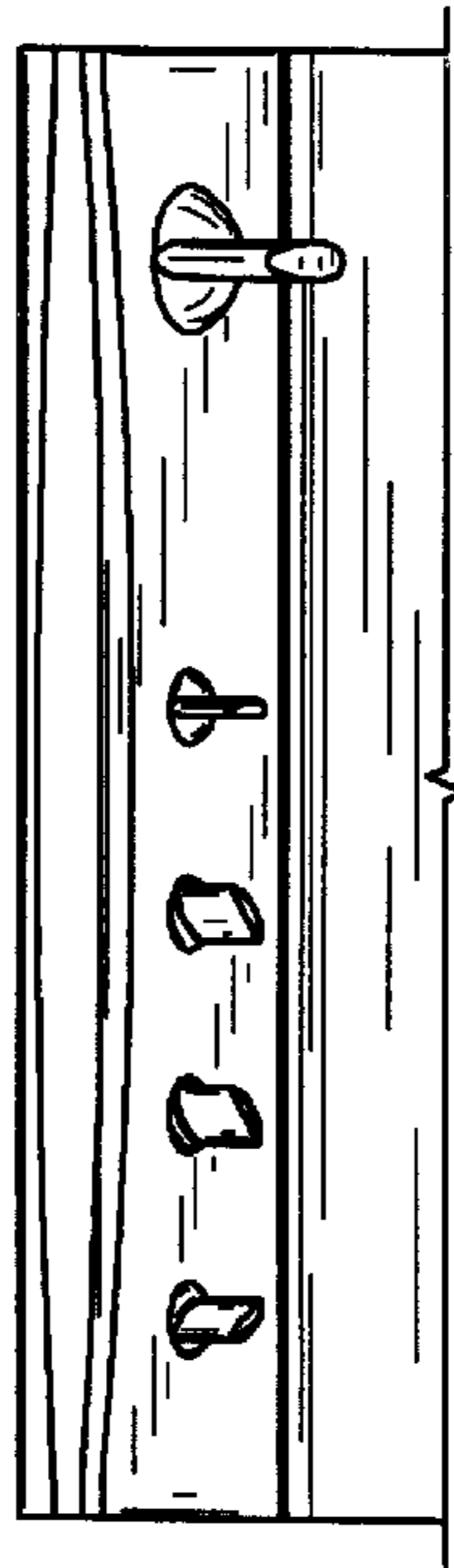


Fig.4

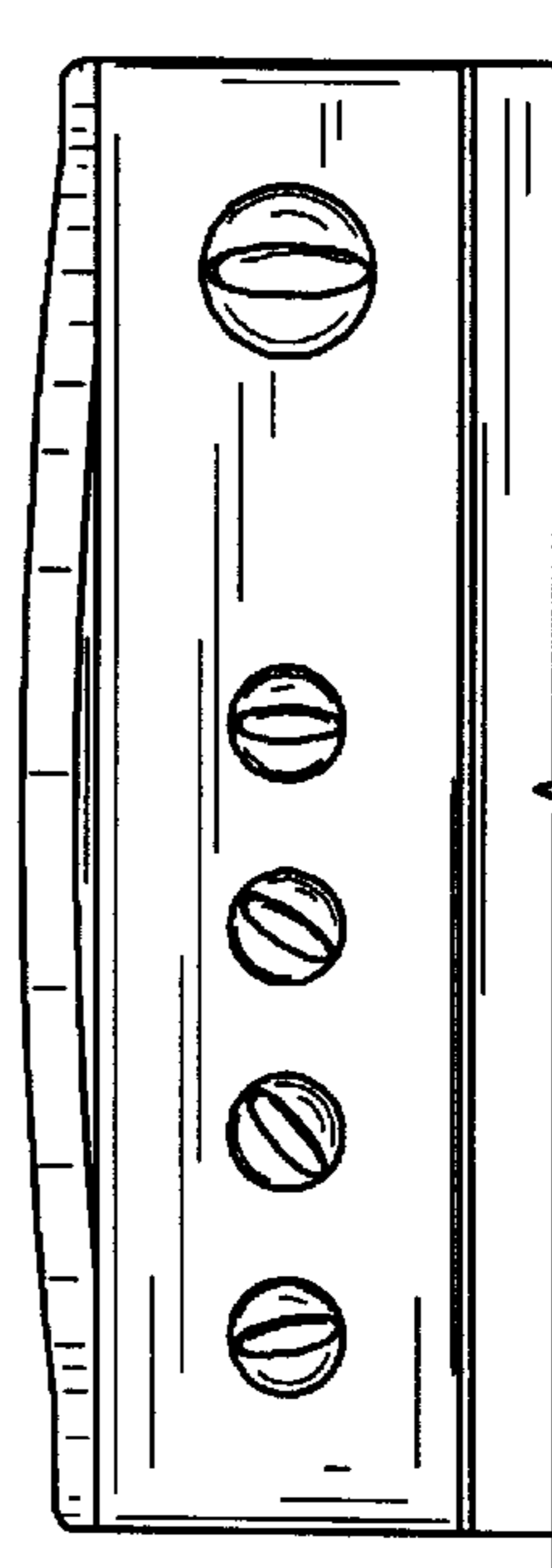


Fig.5

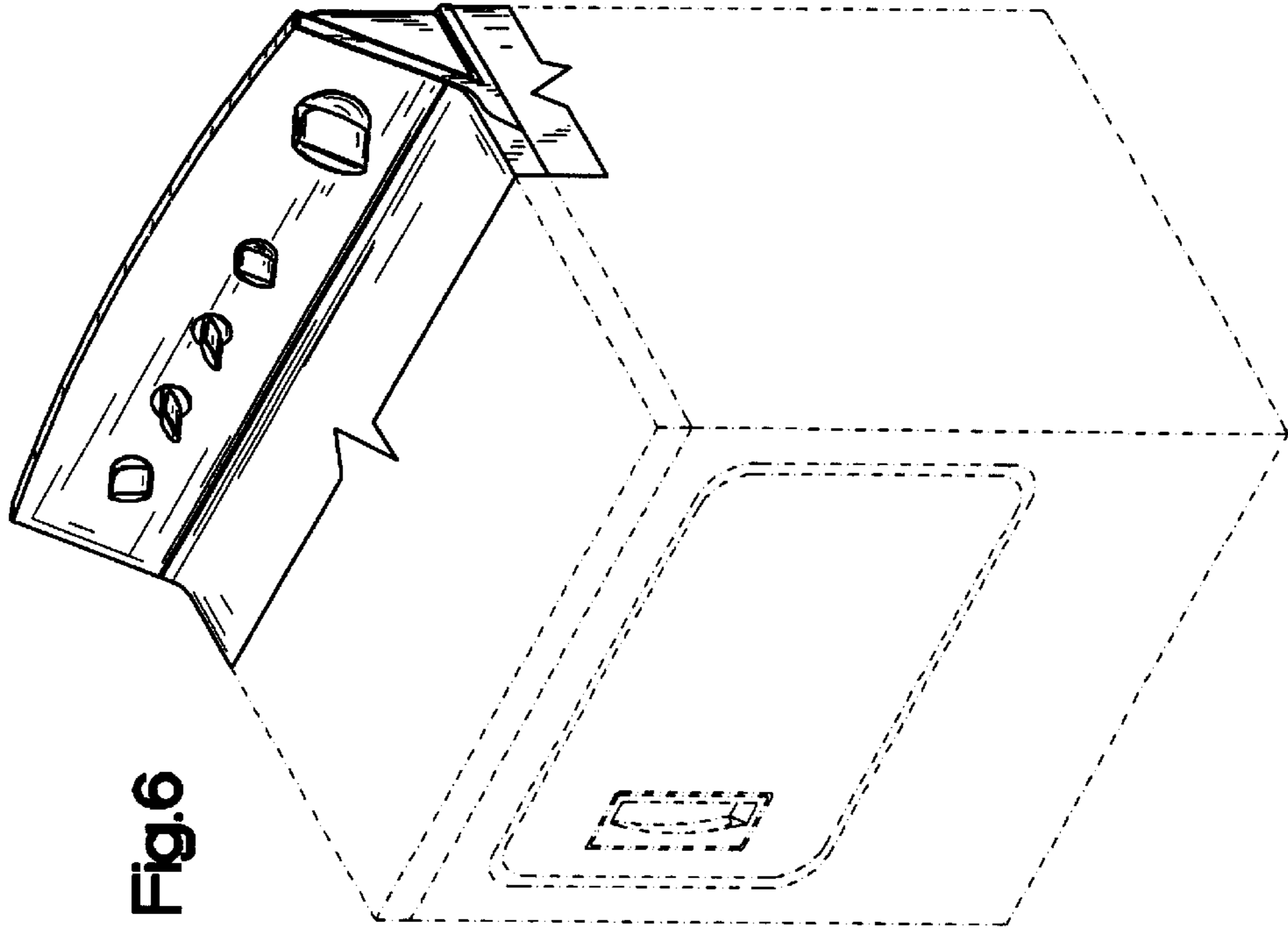


Fig.6

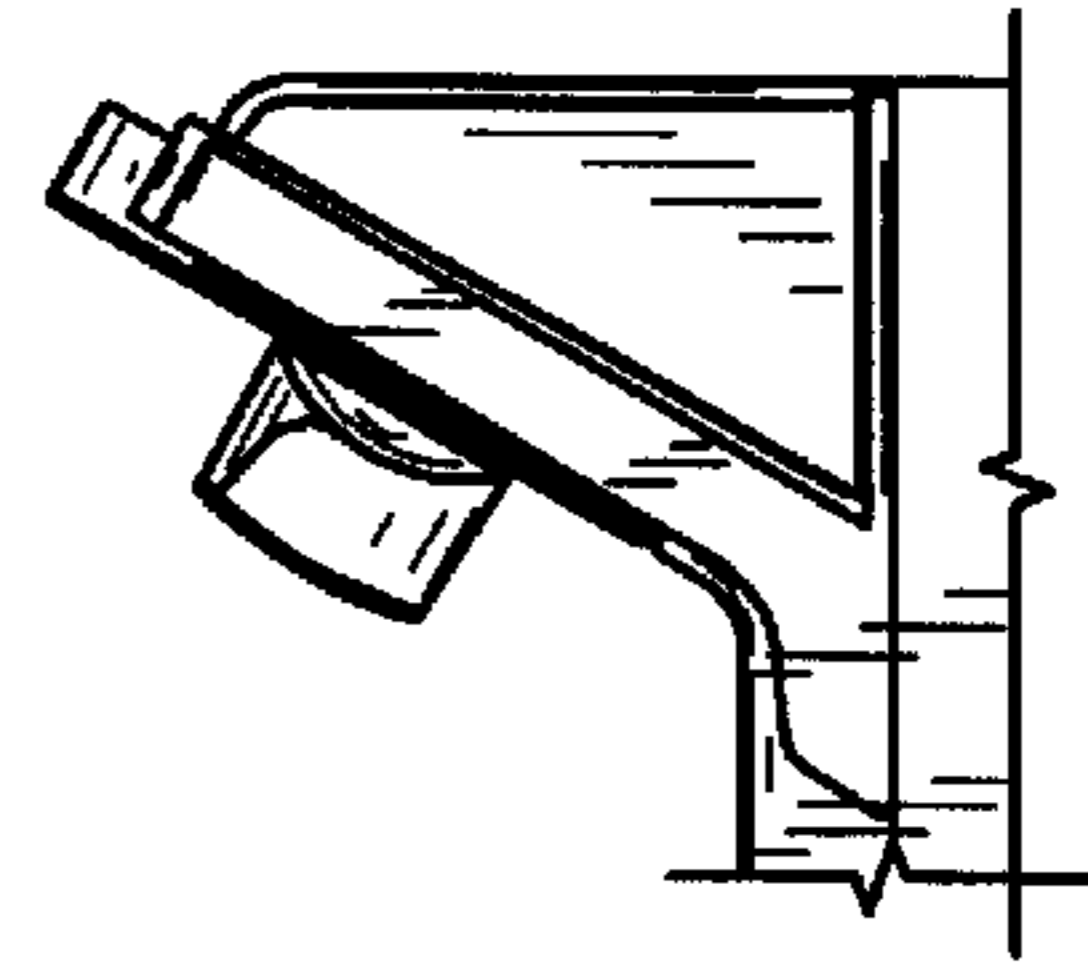


Fig.7

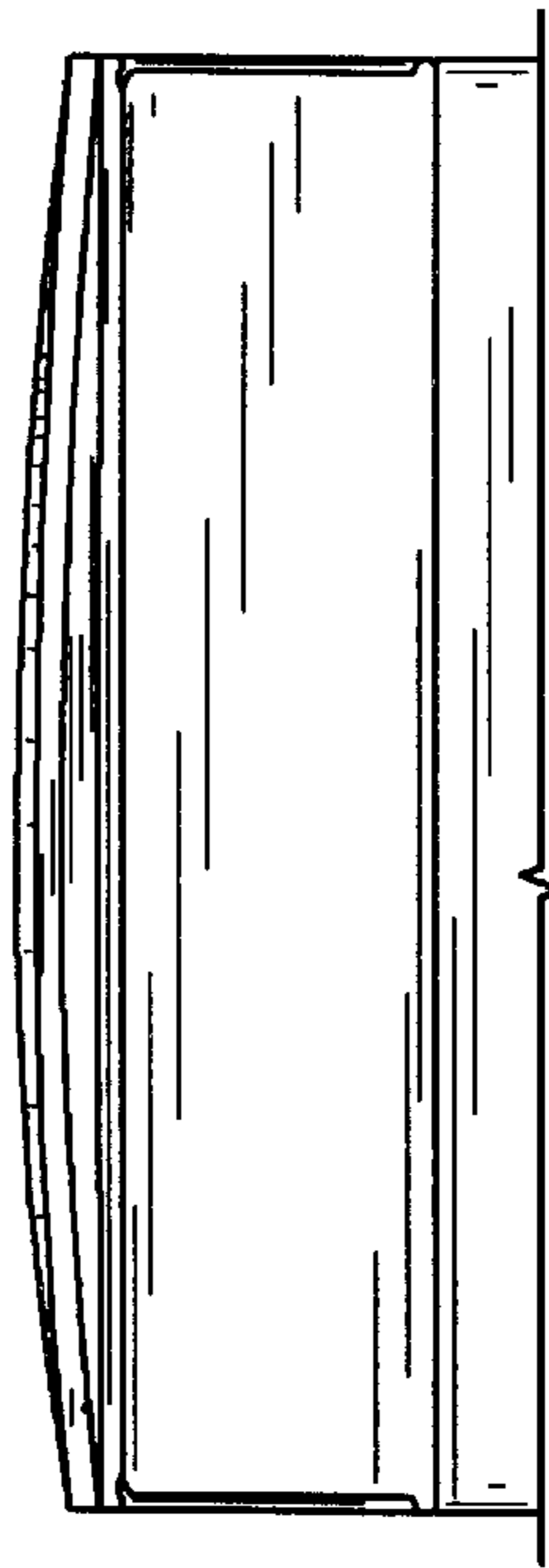


Fig.8

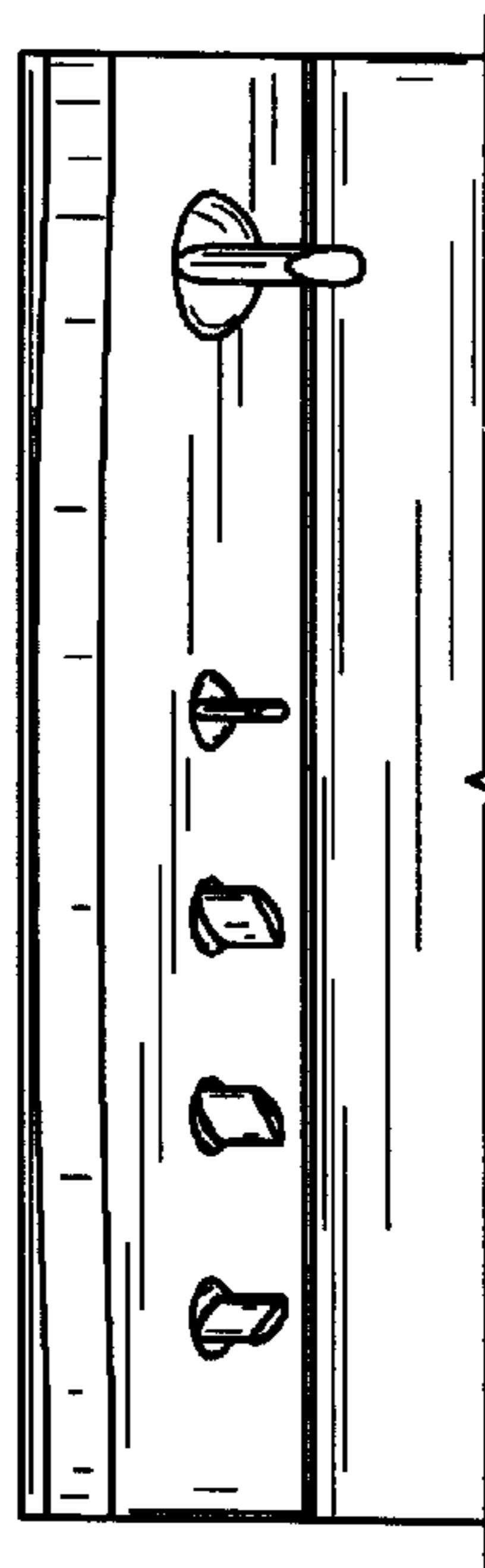


Fig.9

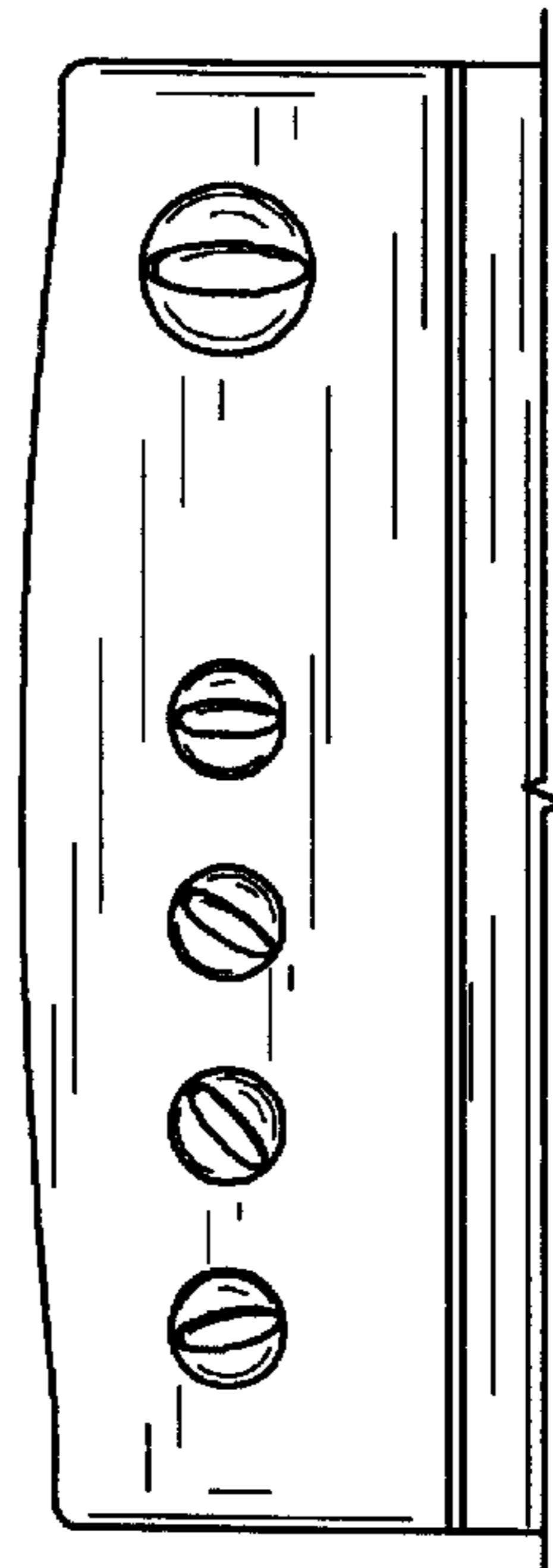


Fig.10