



US00D474312S

(12) **United States Design Patent**
Stephens et al.

(10) **Patent No.:** **US D474,312 S**

(45) **Date of Patent:** **** May 6, 2003**

(54) **ROBOTIC VACUUM CLEANER**

(75) Inventors: **Ronald J. Stephens**, Rittman, OH (US); **Matthew J. Archer**, North Canton, OH (US); **Shai Abramson**, Pardesia (IL); **Shalom Levin**, Alitit (IL); **Oded Davidovitch**, Tel-Aviv (IL); **Yoav Tikochinsky**, Tel-Aviv (IL)

(73) Assignee: **The Hoover Company**, North Canton, OH (US)

(**) Term: **14 Years**

(21) Appl. No.: **29/153,792**

(22) Filed: **Jan. 11, 2002**

(51) **LOC (7) Cl.** **15-05**

(52) **U.S. Cl.** **D32/21**

(58) **Field of Search** D32/21, 23-24, D32/31, 25; 15/327.1, 319, 340.1, 340.3; 180/169, 8.2; 901/1

(56) **References Cited**

U.S. PATENT DOCUMENTS

- D212,257 S * 9/1968 Schaefer et al. D32/23
- 4,306,329 A * 12/1981 Yokoi 15/319
- 5,109,566 A * 5/1992 Kobayashi et al. 15/319

- 5,144,716 A * 9/1992 Watanabe et al. 15/323
- 5,293,955 A * 3/1994 Lee 180/169
- 5,353,468 A * 10/1994 Yap et al. 15/319
- 5,515,934 A * 5/1996 Davis 180/8.2
- 5,781,960 A * 7/1998 Kilstrom et al. 15/319
- 5,940,927 A * 8/1999 Haegermarck et al. 15/319

* cited by examiner

Primary Examiner—Ruth McInroy

(74) *Attorney, Agent, or Firm*—A. Burgess Lowe; John W. Morrison

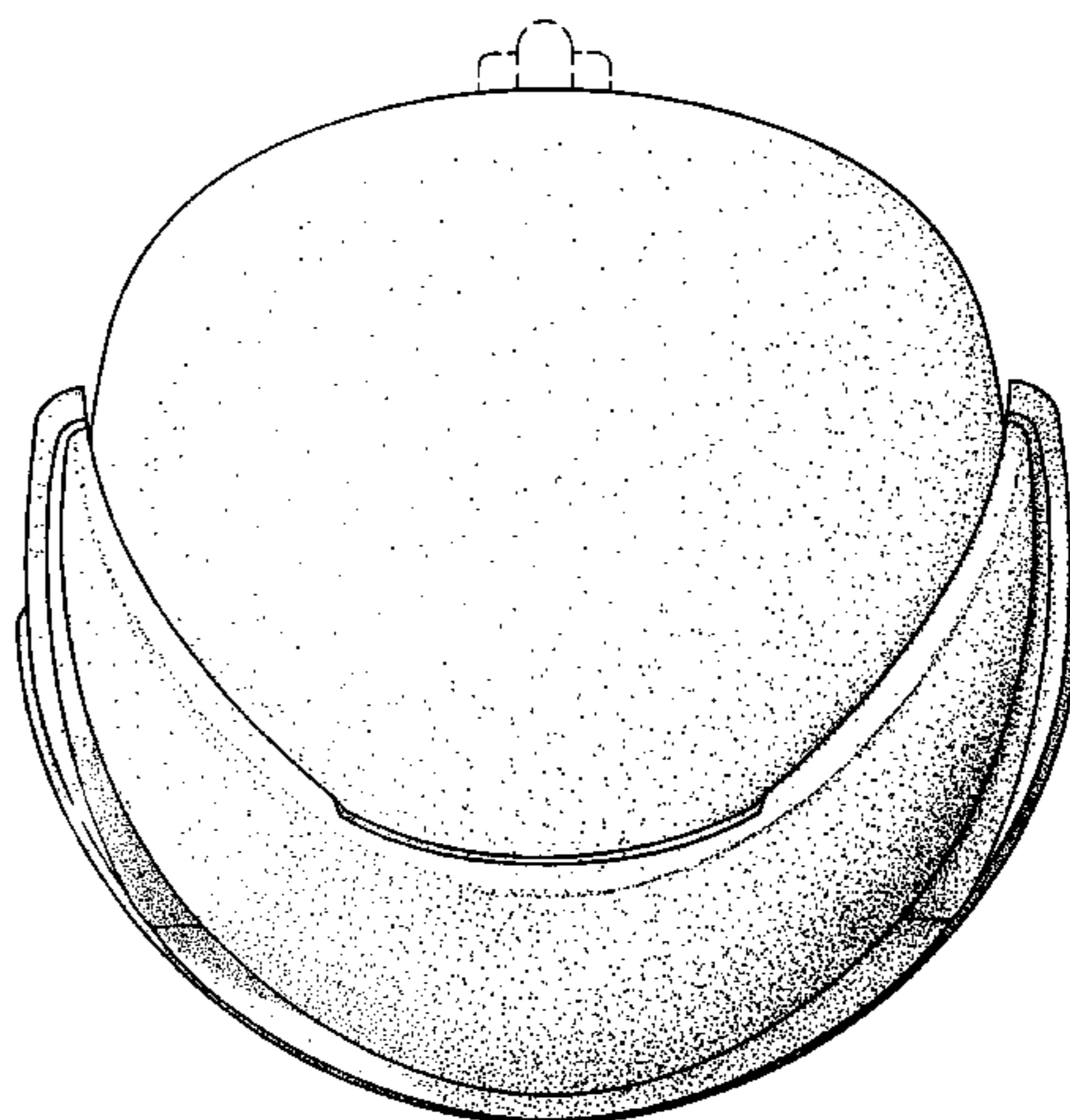
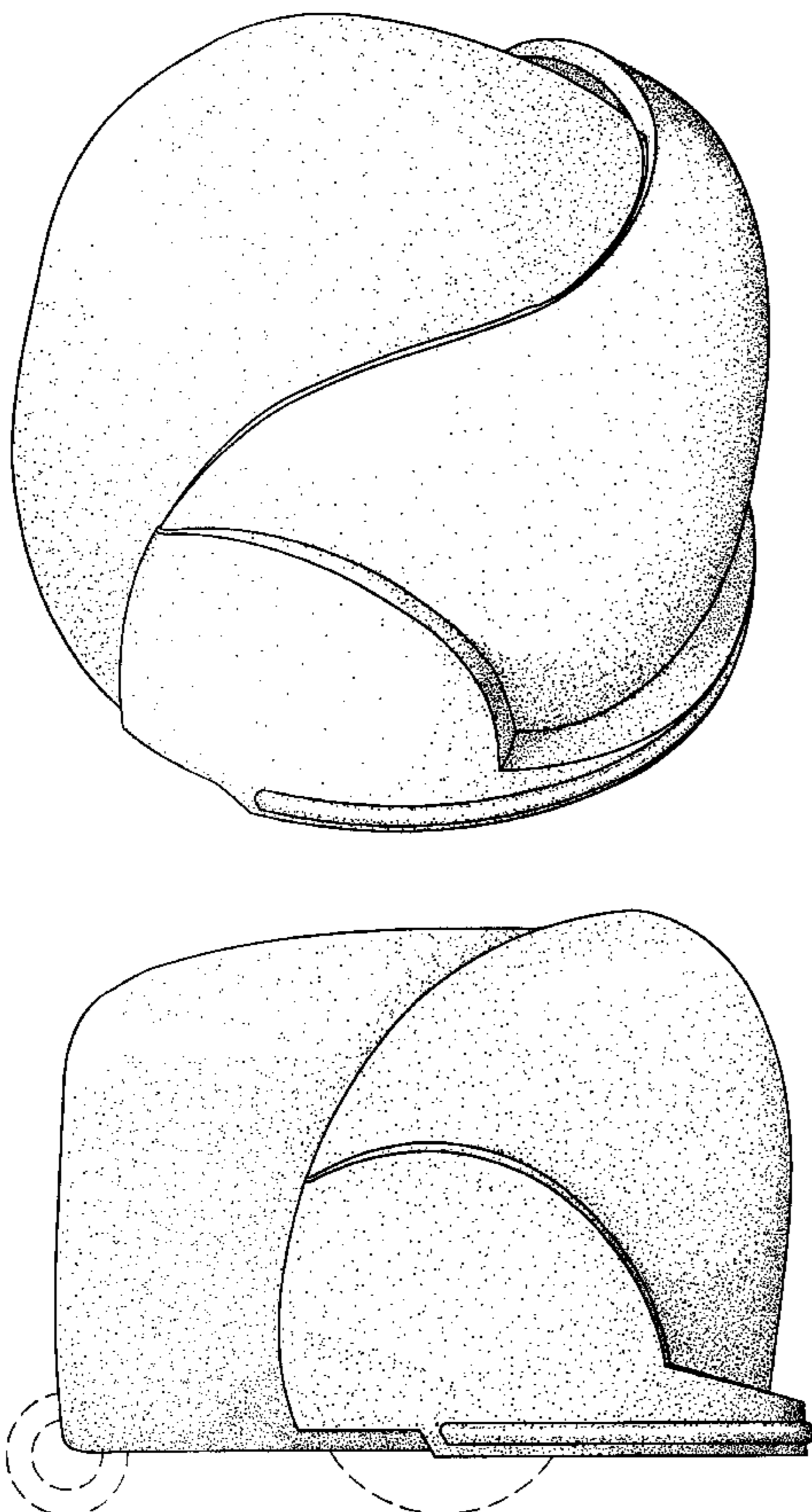
(57) **CLAIM**

The ornamental design for a robotic vacuum cleaner, as shown and described.

DESCRIPTION

FIG. 1 is a right perspective view of a robotic vacuum cleaner showing our new design;
 FIG. 2 is a front elevational view thereof;
 FIG. 3 is a right side elevational view thereof;
 FIG. 4 is a rear elevational view thereof; and,
 FIG. 5 is a top elevational view thereof.
 In FIGS. 2, 3, 4 and 5 the broken lines showing drive wheels and rear support wheel are for illustrative purposes only and form no part of the claimed design.

1 Claim, 5 Drawing Sheets



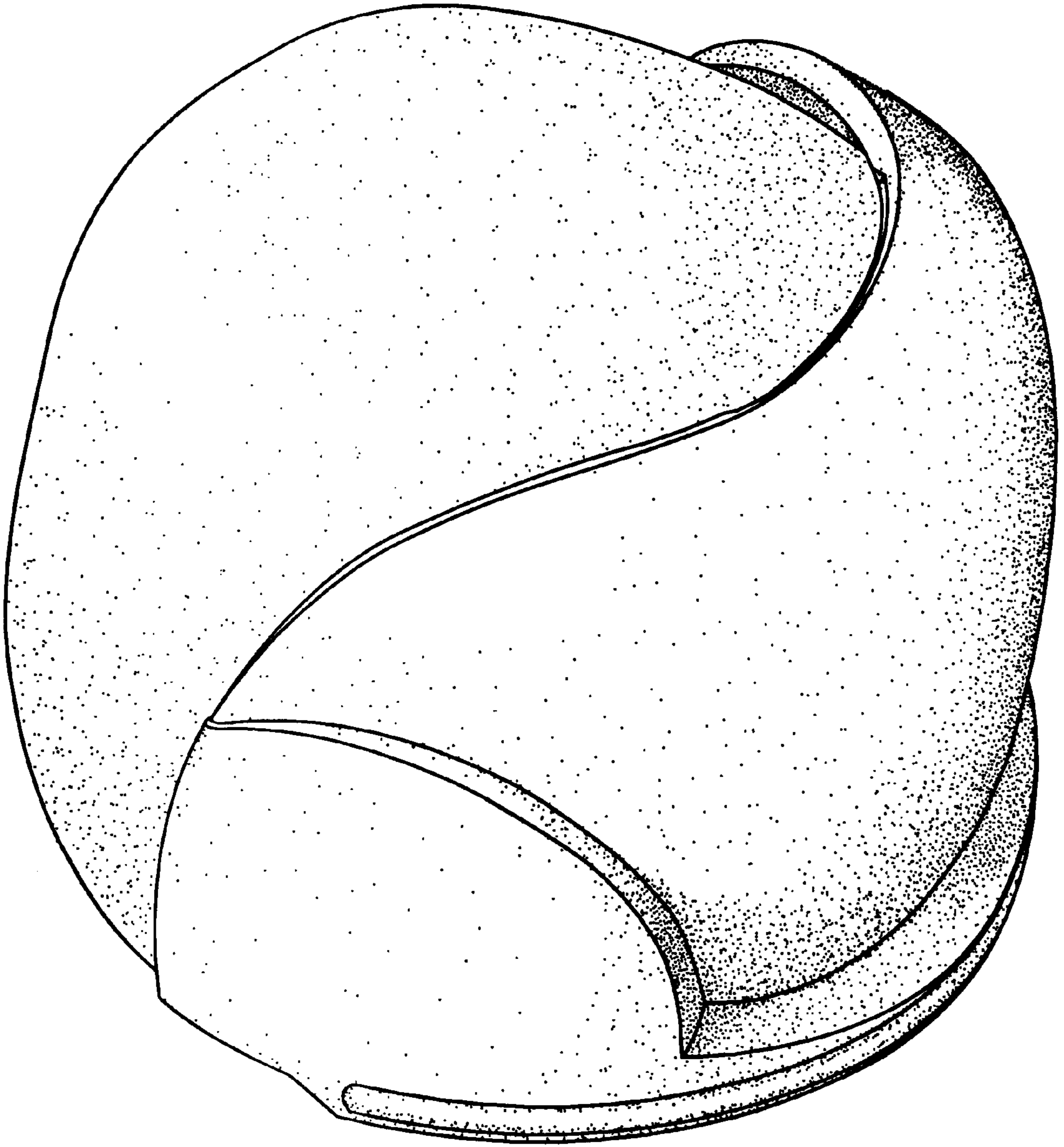


FIG-1

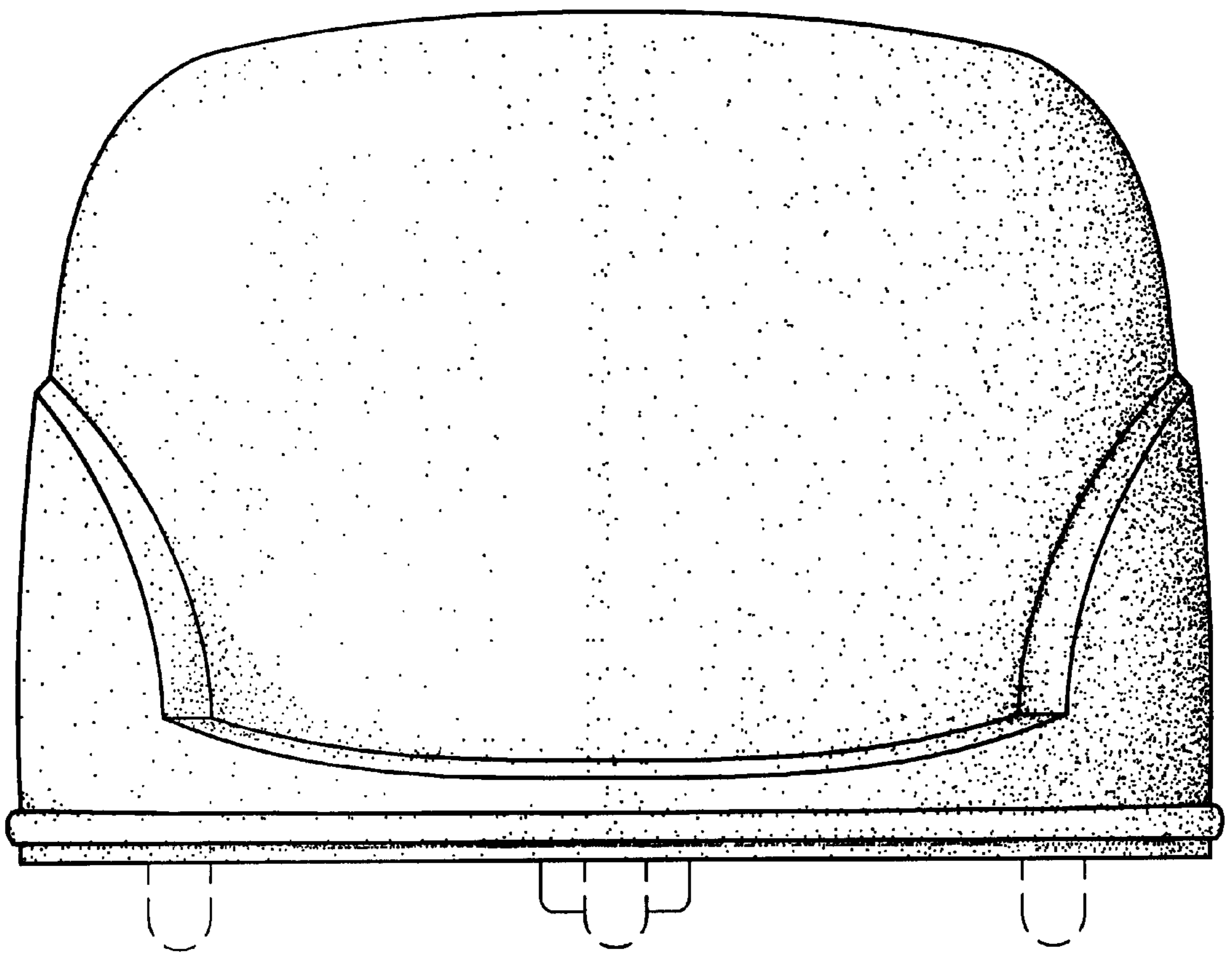


FIG-2

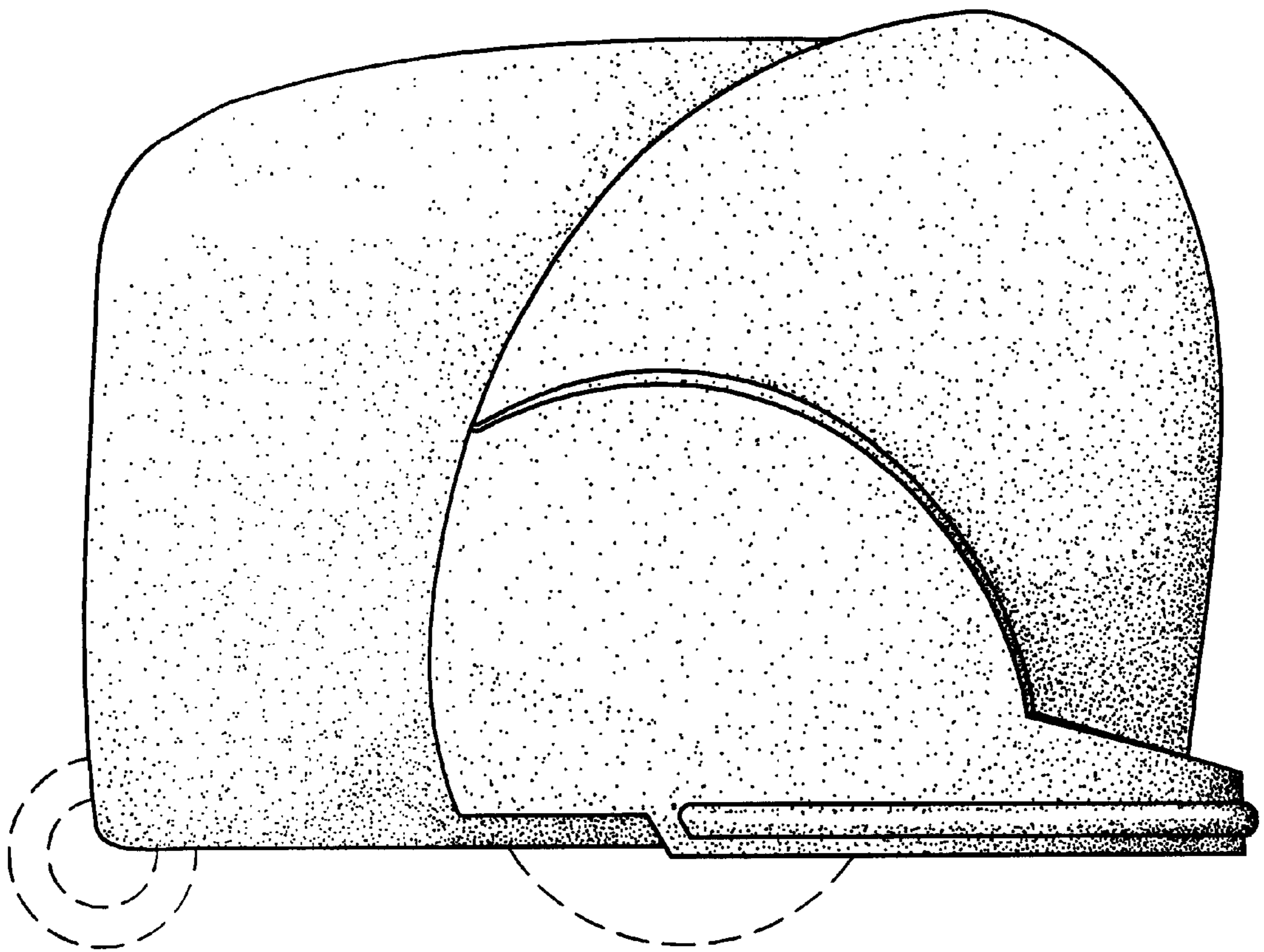


FIG-3

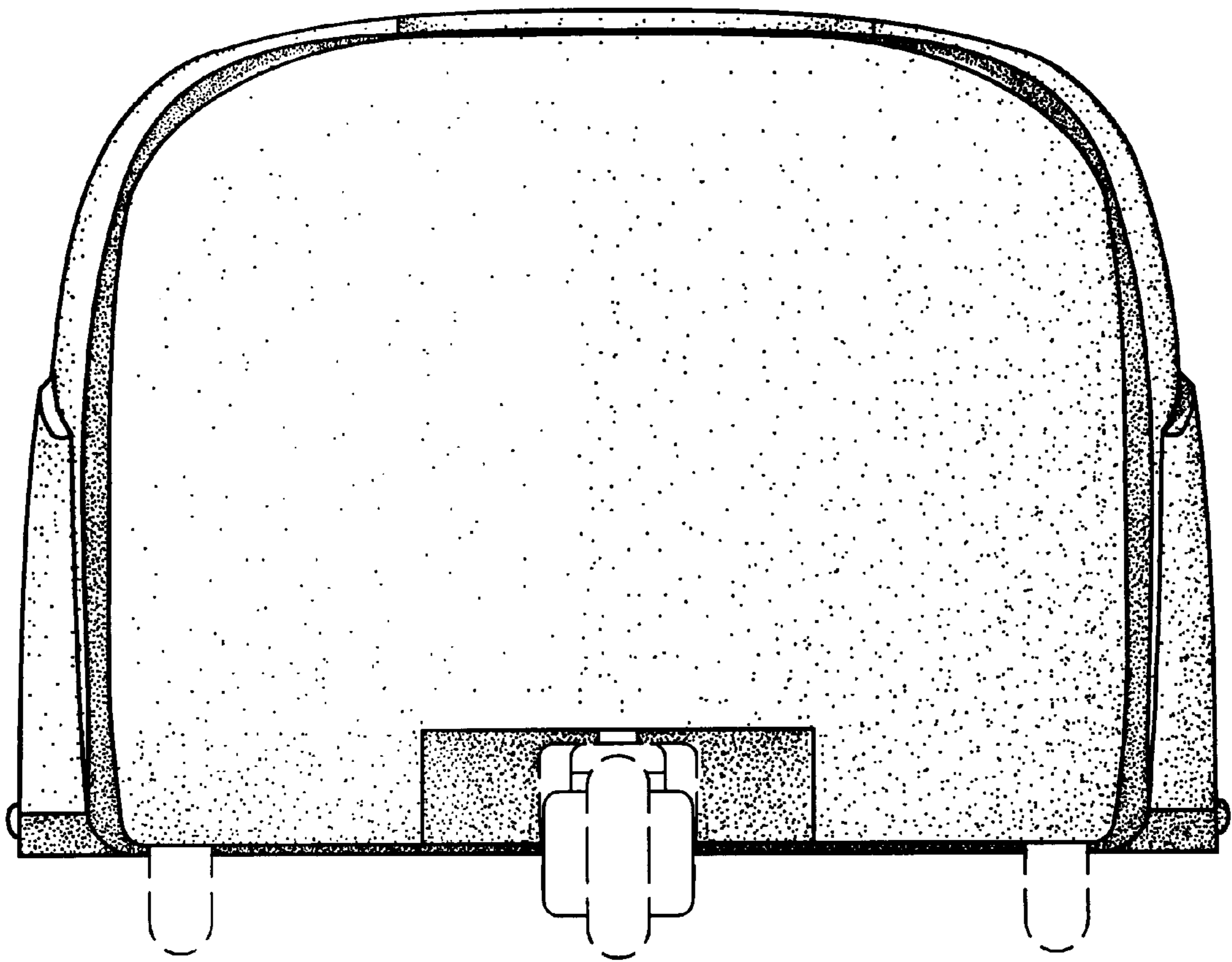


FIG-4

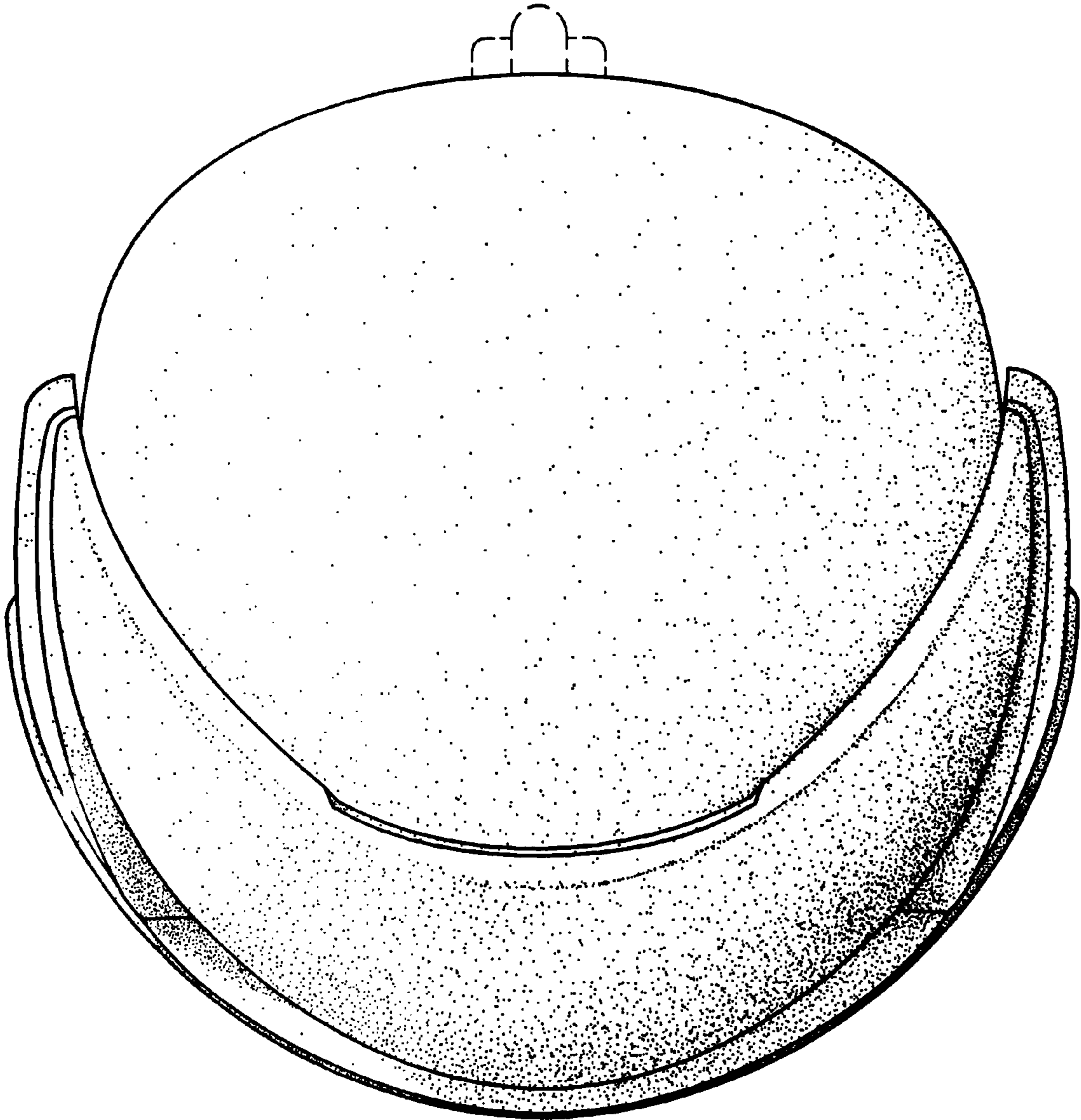


FIG-5